



US00D401464S

United States Patent [19]

Cheris et al.

[11] Patent Number: **Des. 401,464**

[45] Date of Patent: ****Nov. 24, 1998**

[54] **EXPANDABLE DISKETTE HOLDER WITH REMOVABLE LID**

[75] Inventors: **Albert B. Cheris**, Highland Park; **Mark Dziarsk**, Chicago, both of Ill.

[73] Assignee: **Tenex Corporation**, Elk Grove Village, Ill.

[**] Term: **14 Years**

[21] Appl. No.: **79,118**

[22] Filed: **Nov. 10, 1997**

[51] **LOC (6) Cl.** **06-04**

[52] **U.S. Cl.** **D6/634; D6/635; D3/303**

[58] **Field of Search** **D3/273, 303, 301; D6/634, 635, 629; D9/305, 415; 206/311, 309, 444, 445**

[56] References Cited

U.S. PATENT DOCUMENTS

| | | | | |
|------------|---------|---------|-------|---------|
| D. 239,336 | 3/1976 | Urie | | D3/303 |
| D. 336,367 | 6/1993 | Morton | | D3/303 |
| D. 369,501 | 5/1996 | Gnant | | D6/634 |
| D. 389,001 | 1/1998 | Alves | | D3/301 |
| 2,625,935 | 1/1953 | Marano | . | |
| 3,747,776 | 7/1973 | Gross | . | |
| 4,717,019 | 1/1988 | Ackeret | | 206/307 |
| 4,730,727 | 3/1988 | Petroff | | 206/311 |
| 4,762,225 | 8/1988 | Henkel | | 206/445 |
| 4,778,047 | 10/1988 | Lay | | 206/309 |
| 5,058,100 | 10/1991 | Yoshii | | 369/291 |
| 5,193,681 | 3/1993 | Lievsay | | 206/311 |
| 5,373,945 | 12/1994 | Niehaus | | 206/445 |

OTHER PUBLICATIONS

Tenex Corporation Mediaworx Catalog© 1995.

Primary Examiner—Philip S. Hyder
Attorney, Agent, or Firm—Lockwood, Alex, Fitzgibbon & Cummings

[57] CLAIM

The ornamental design for an expandable diskette holder with removable lid, as shown and described.

DESCRIPTION

FIG. 1 is a perspective view of an expandable diskette holder with a removable lid showing our new design;

FIG. 2 is an elevational view of one side thereof, the opposite side being a mirror image thereof;

FIG. 3 is a front elevational view thereof;

FIG. 4 is a rear elevational view thereof;

FIG. 5 is a top plan view thereof;

FIG. 6 is a bottom plan view thereof;

FIG. 7 is a perspective view of the diskette holder of our new design with the lid removed and in an expanded condition, the diskette depicted by means of broken lines being for illustrative purposes only and forming no part of the claimed design;

FIG. 8 is an elevational view of one side of the diskette holder of FIG. 7, the opposite side being a mirror image thereof;

FIG. 9 is a front elevational view of the diskette holder of FIG. 7;

FIG. 10 is a rear elevational view of the vertical diskette holder of FIG. 7;

FIG. 11 is a top plan view of the diskette holder of FIG. 7; and,

FIG. 12 is a bottom plan view of the diskette holder of FIG. 7.

1 Claim, 6 Drawing Sheets

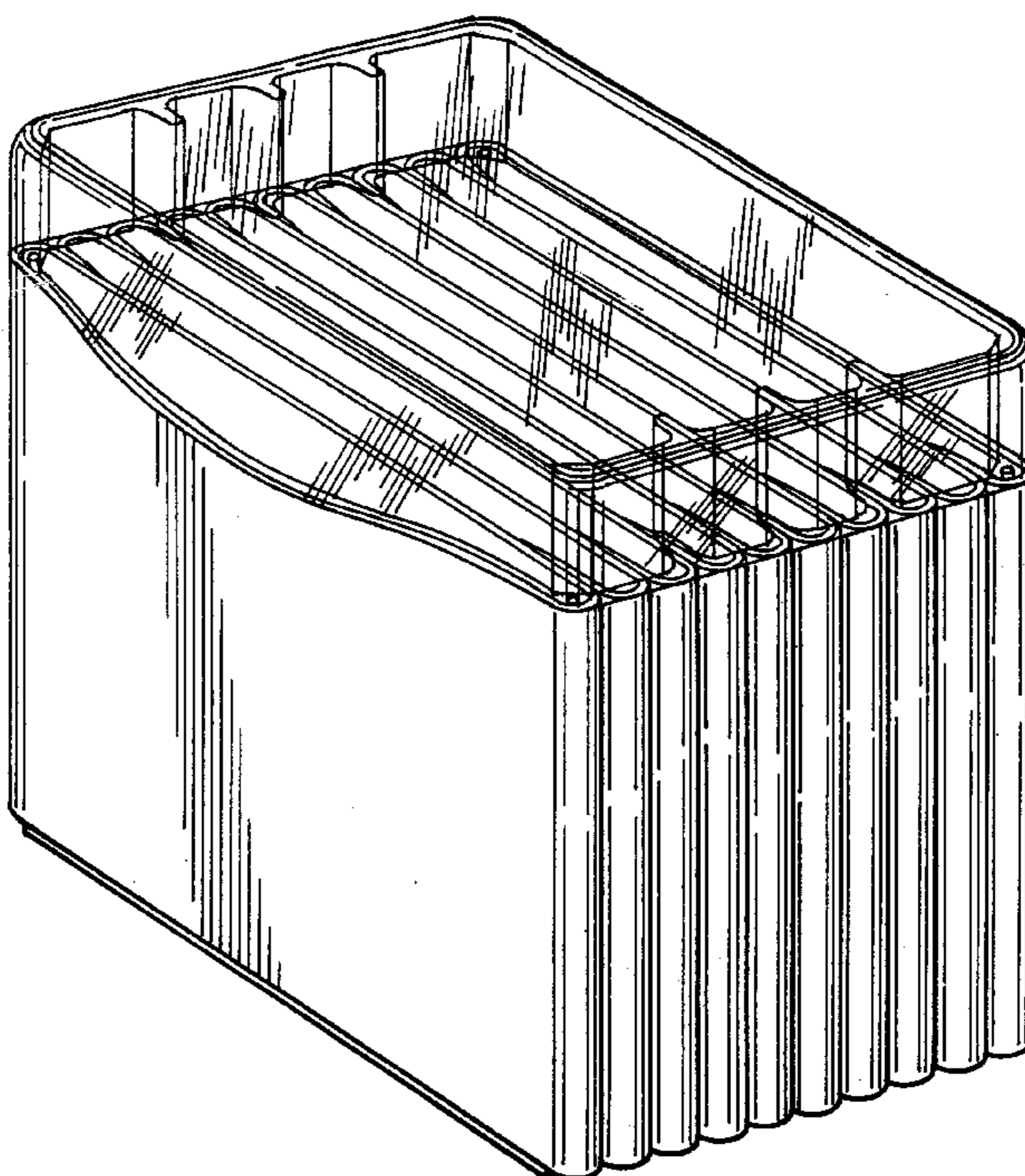


FIG. 1

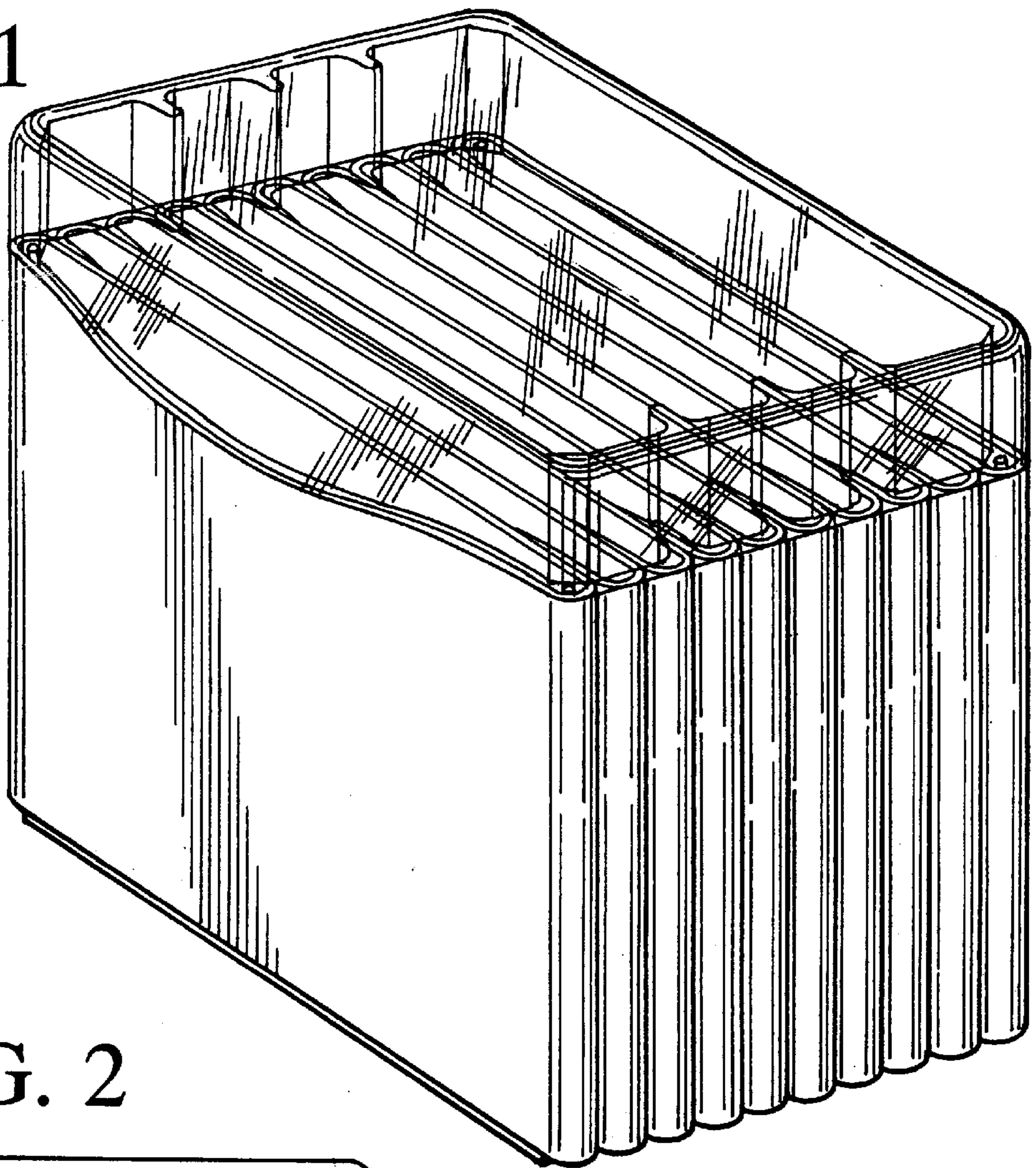


FIG. 2

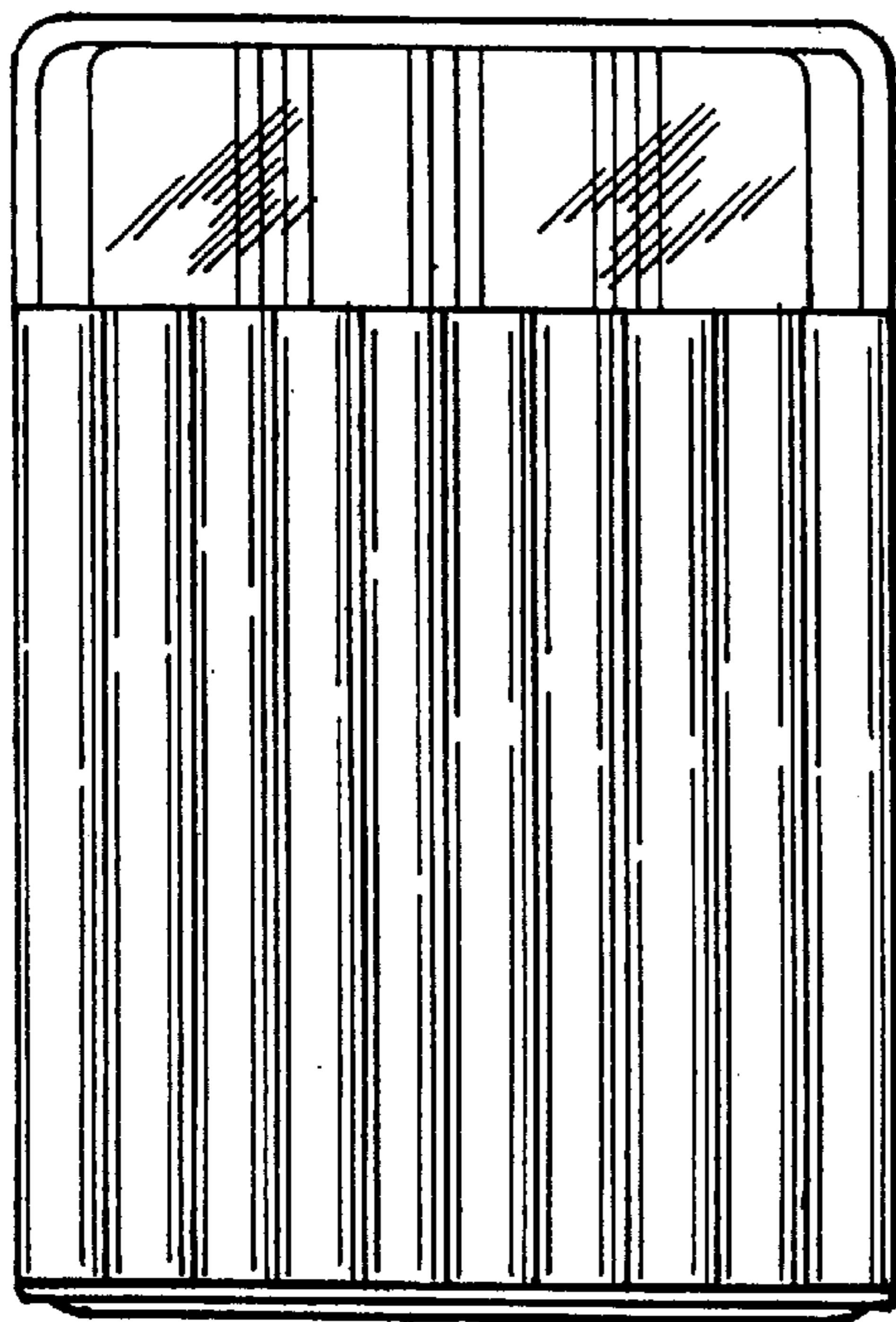


FIG. 3

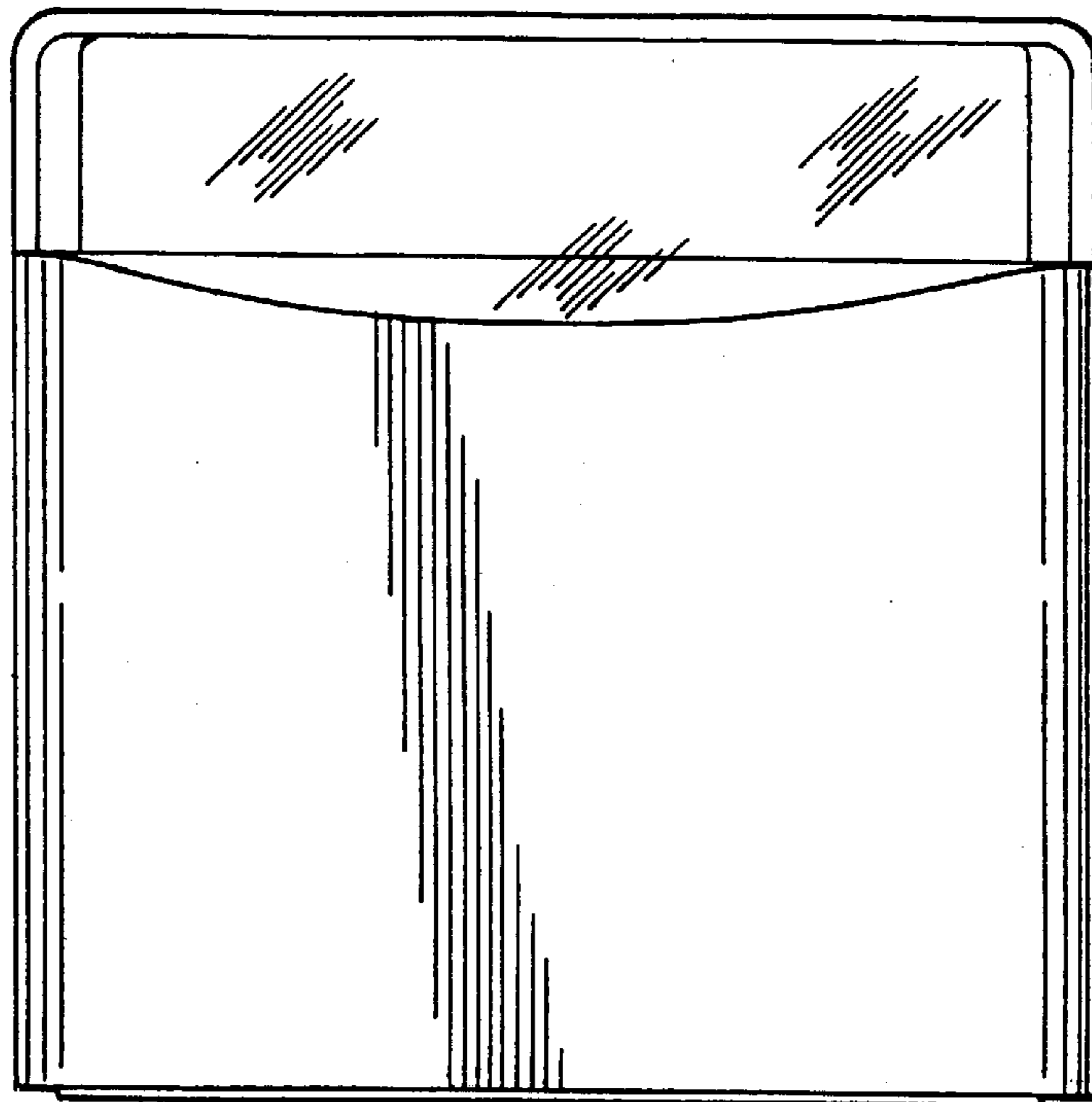


FIG. 4

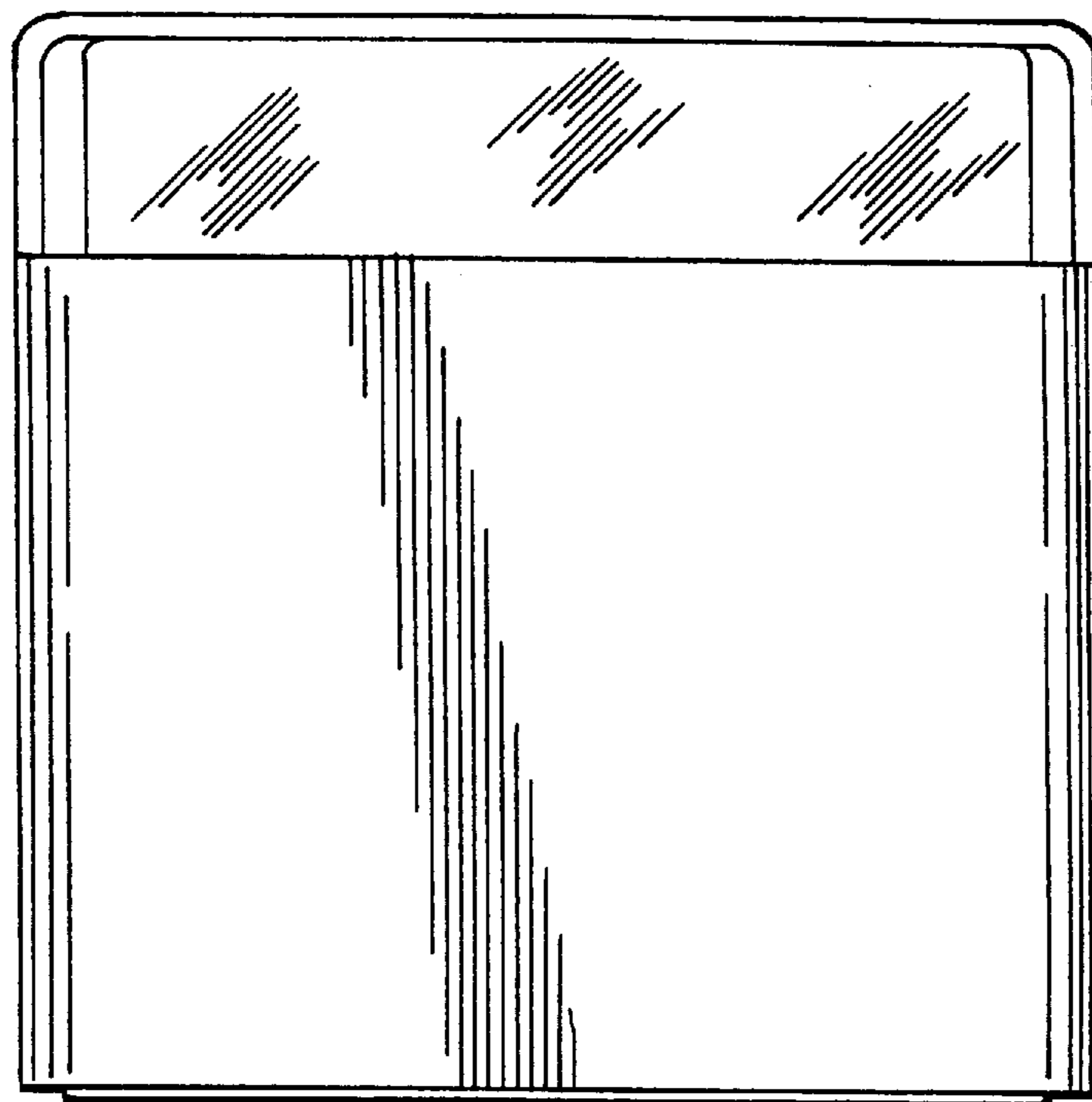


FIG. 5

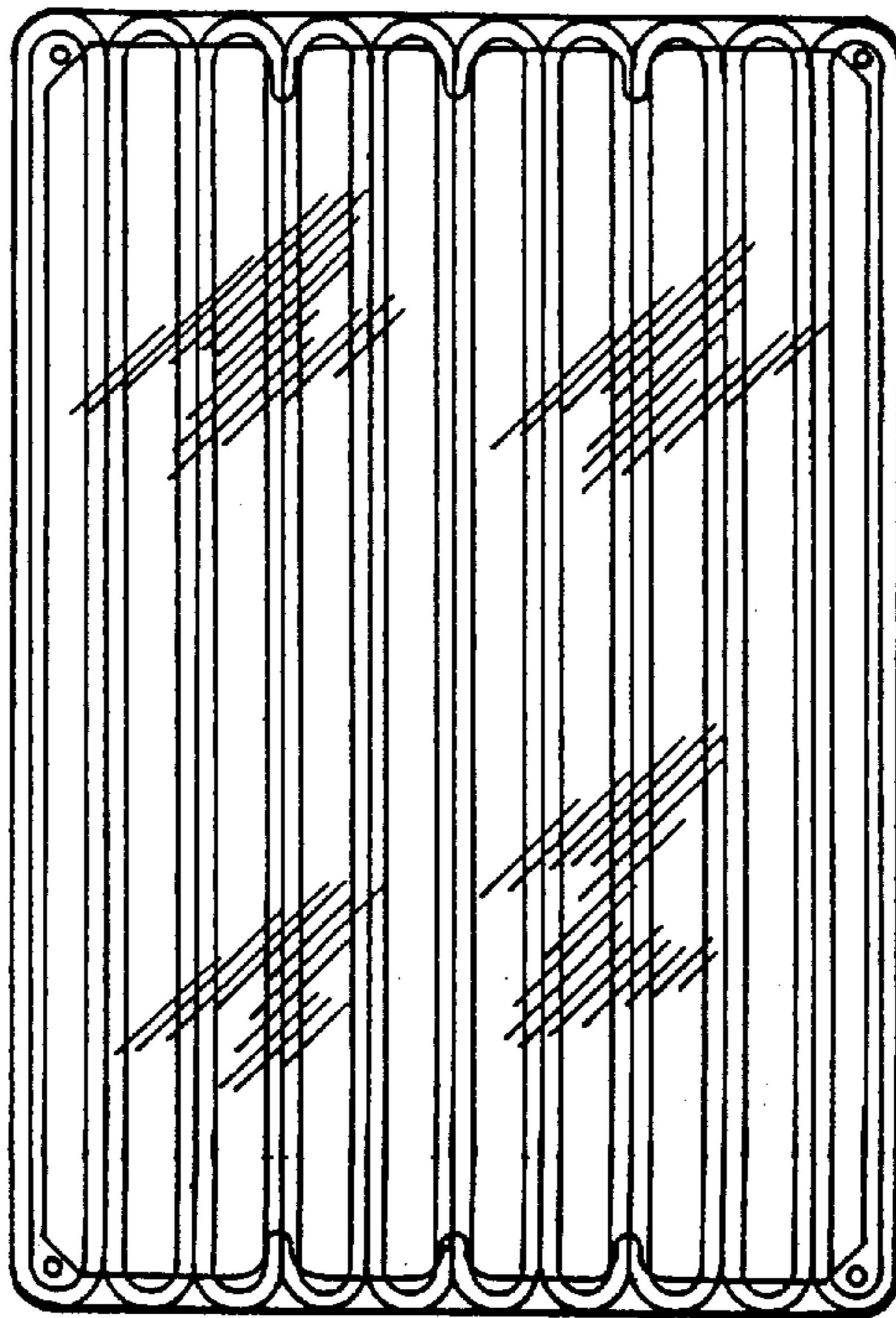


FIG. 6

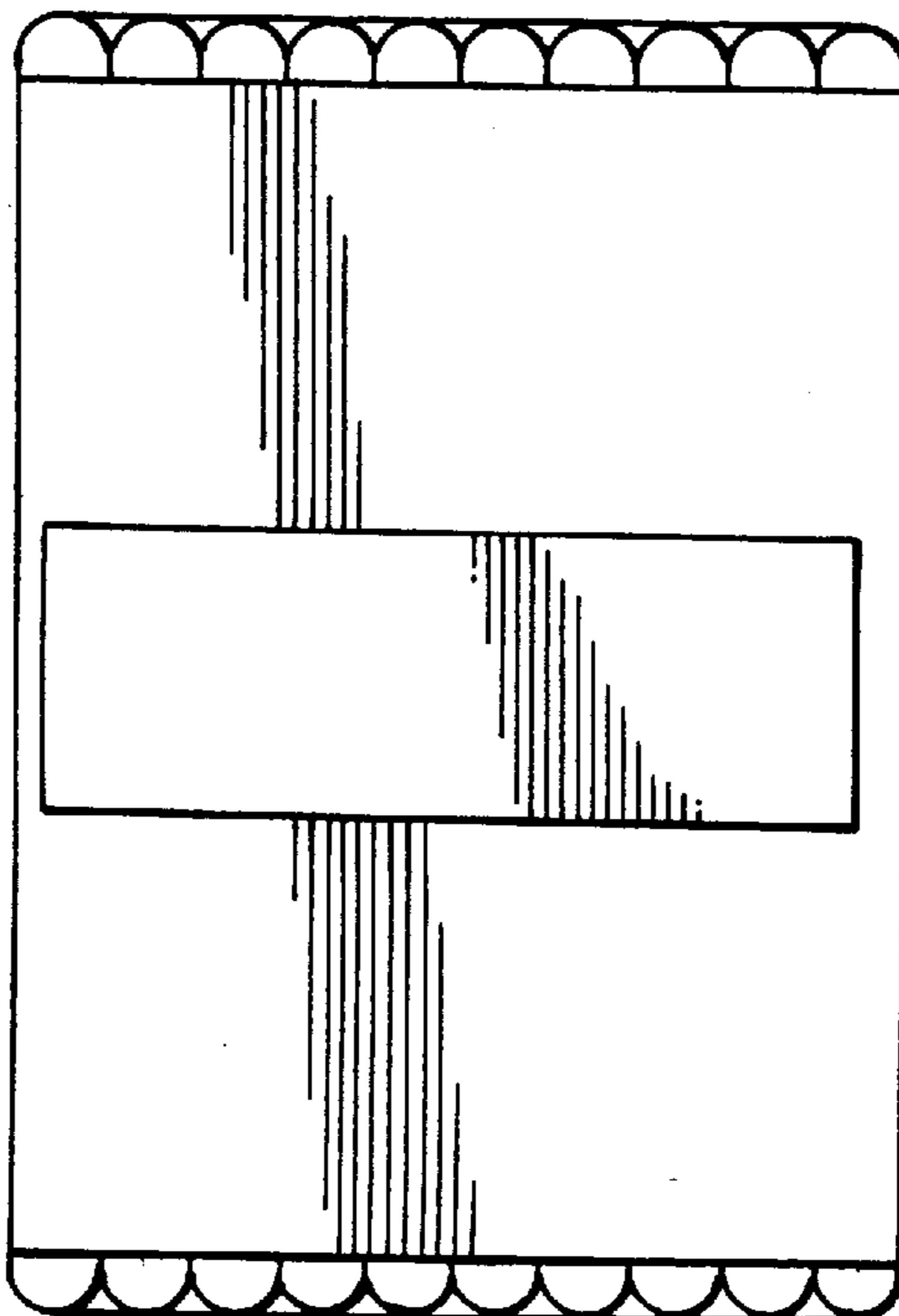


FIG. 7

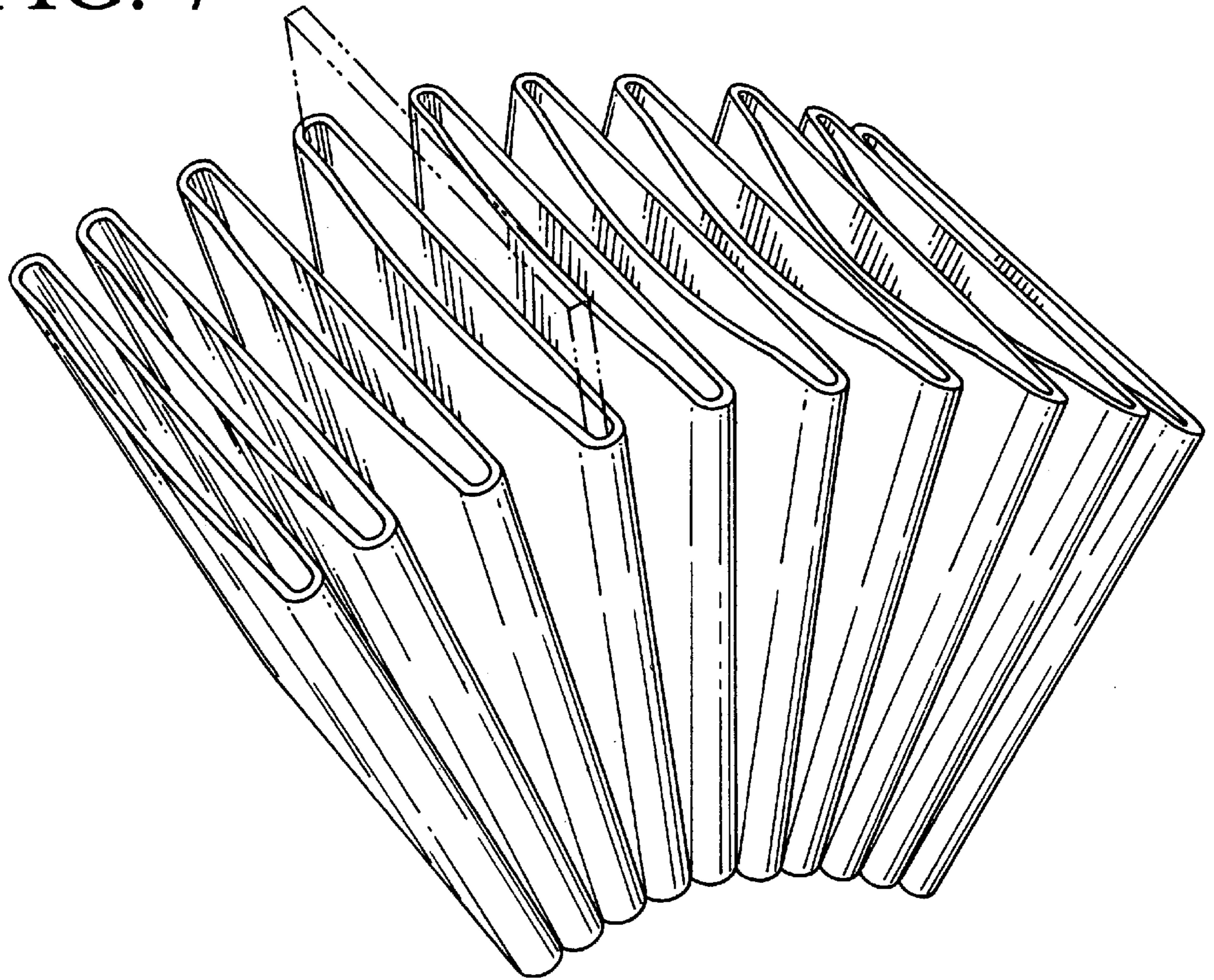


FIG. 8

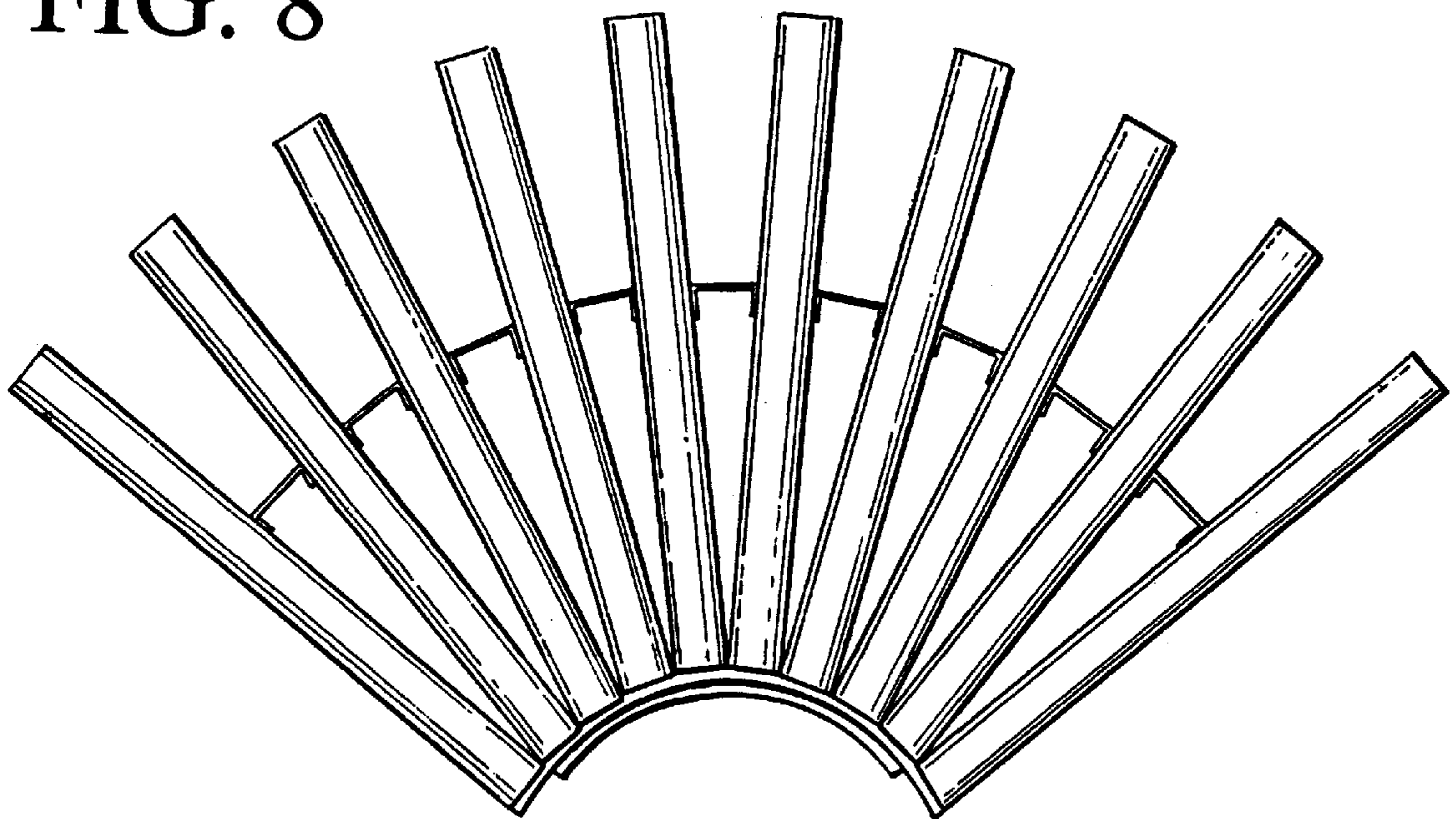


FIG. 9

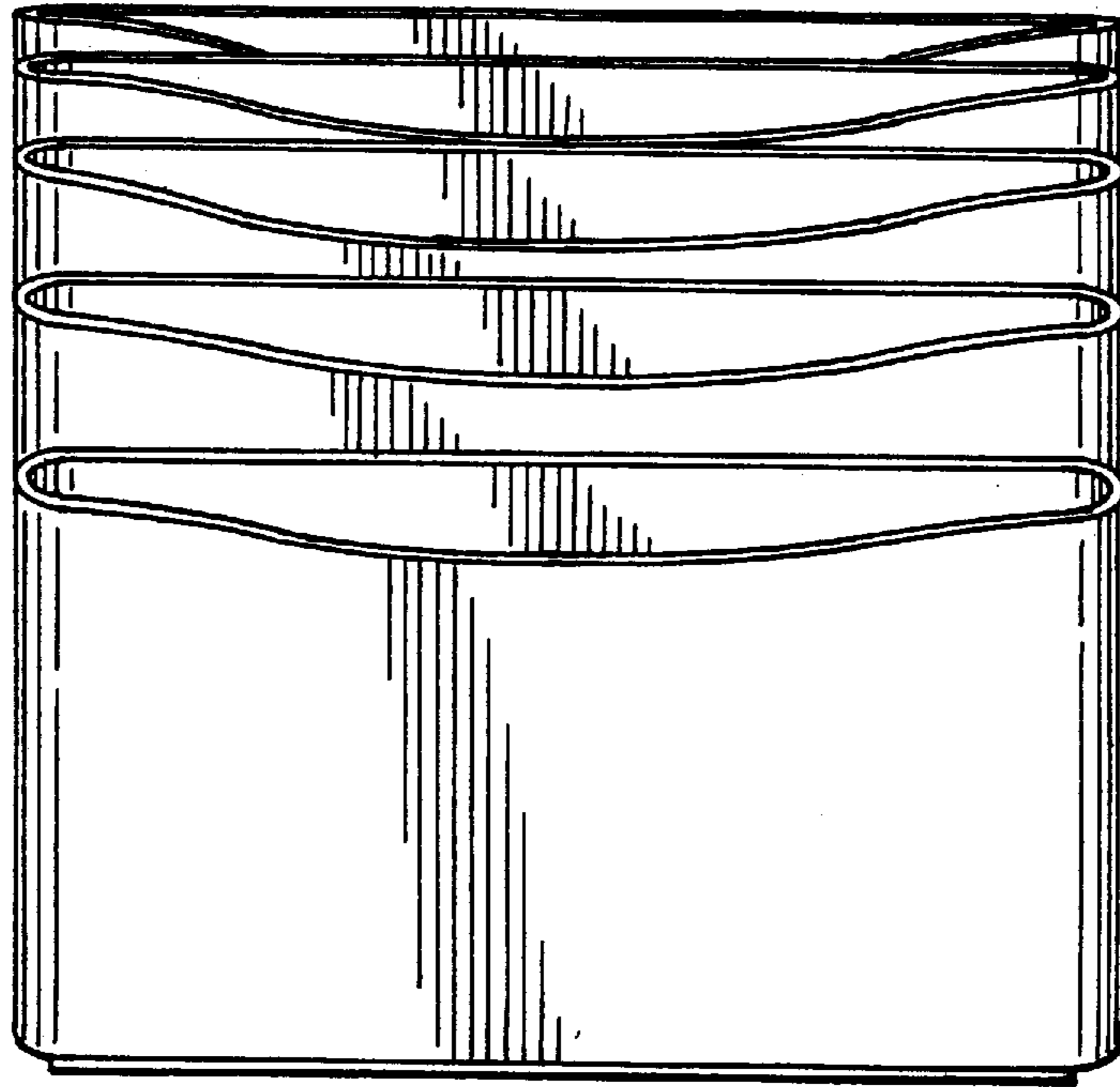


FIG. 10

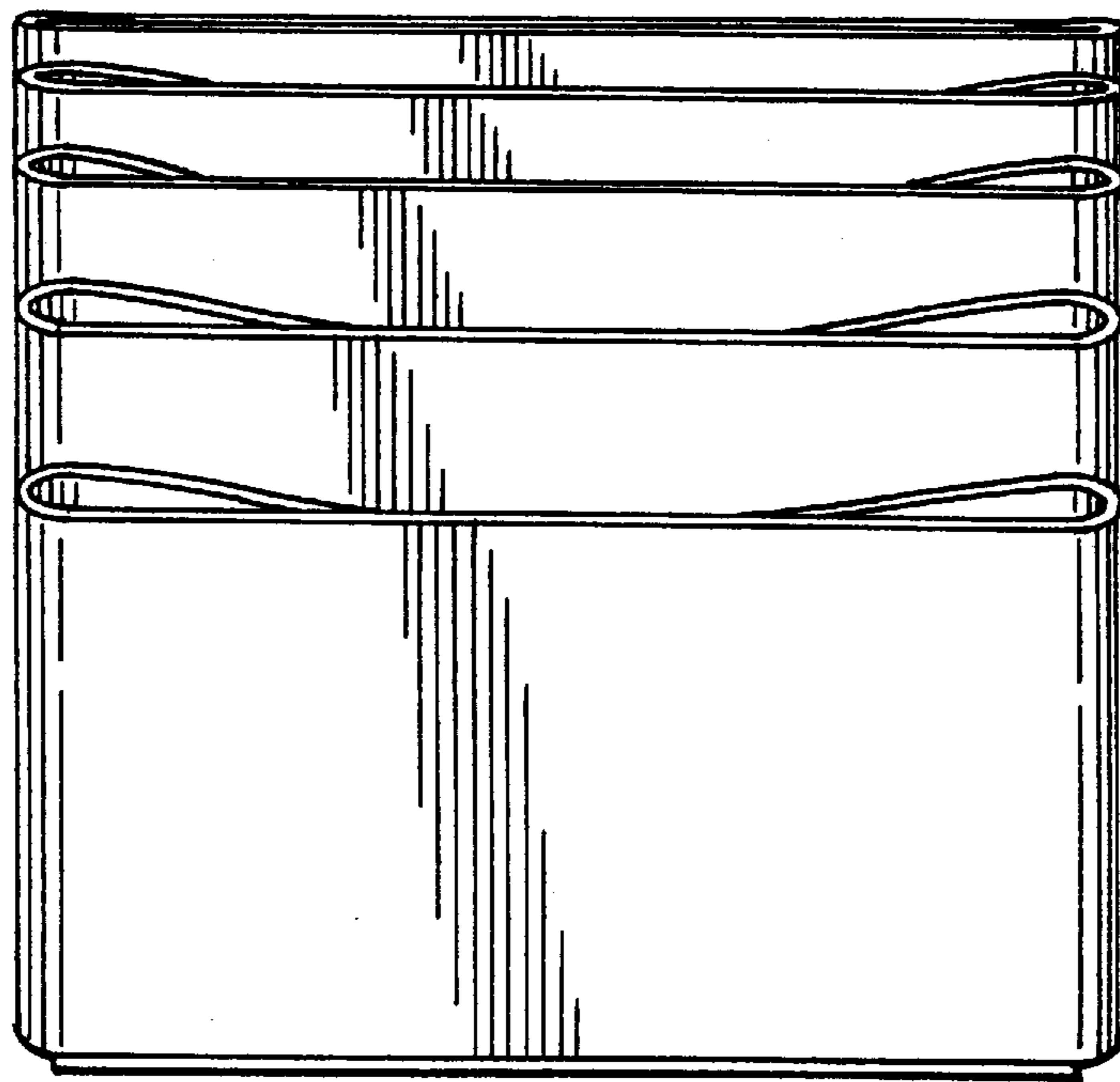


FIG. 11

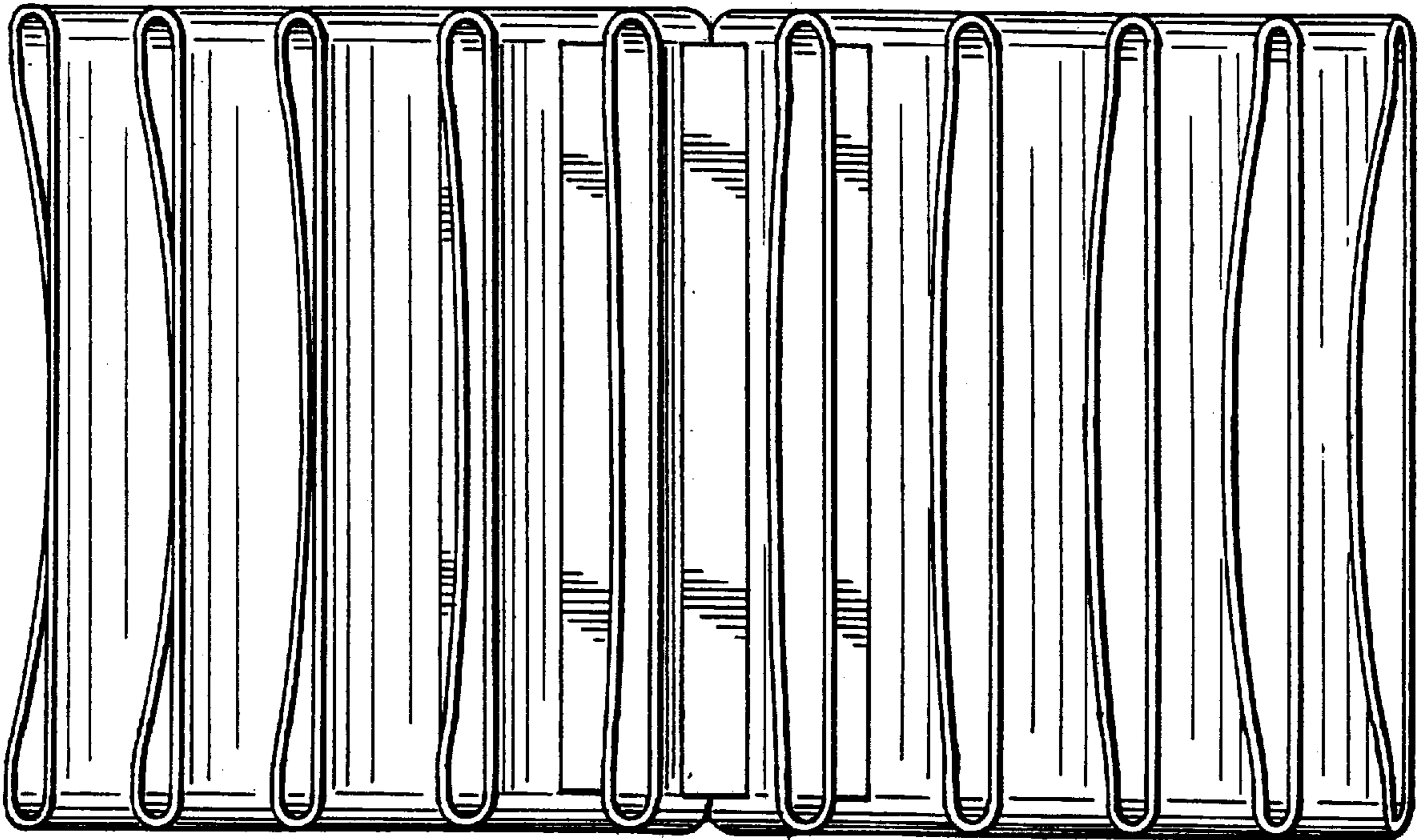


FIG. 12

