



US00D401460S

United States Patent [19] Laga

[11] **Patent Number: Des. 401,460**

[45] **Date of Patent: **Nov. 24, 1998**

[54] **TOOL RACK**

2,684,225 7/1954 Johnson 211/86
3,175,696 3/1965 Millbourne 248/213.1

[75] Inventor: **Kenneth Laga**, Franklin, Mass.

[73] Assignee: **American Manufacturing Company, Inc.**, Allentown, Pa.

Primary Examiner—Marcus A. Jackson
Attorney, Agent, or Firm—Samuels, Gauthier, Stevens & Reppert

[**] Term: **14 Years**

[57] CLAIM

[21] Appl. No.: **51,237**

I claim the ornamental design for a tool rack, as shown and described.

[22] Filed: **Mar. 6, 1996**

DESCRIPTION

[51] **LOC (6) Cl.** **06-99**

[52] **U.S. Cl.** **D6/566**

[58] **Field of Search** D6/546, 548, 549,
D6/552, 553, 566, 569, 570; D8/349, 400;
211/16, 86, 123, 181; 248/200, 205.1, 213.1

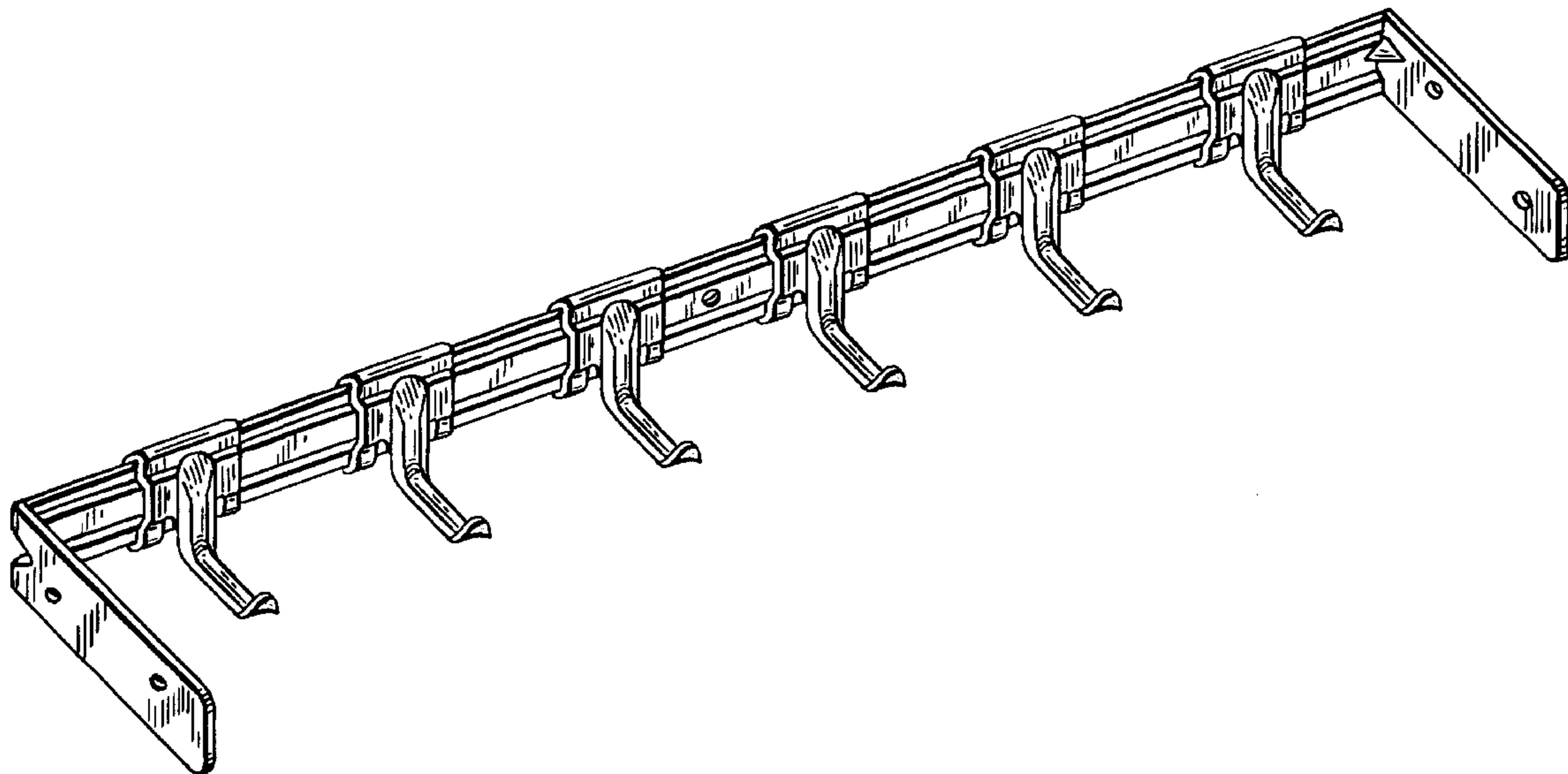
FIG. 1 is a perspective view of a tool rack;
FIG. 2 is a top plan view, the broken lines showing a pair of studs are for illustrative purposes only and form no part of the claimed invention;
FIG. 3 is a front view;
FIG. 4 is a bottom view;
FIG. 5 is a back view; and,
FIG. 6 is a left side view, the right side being identical.

[56] References Cited

U.S. PATENT DOCUMENTS

D. 269,233 6/1983 Gerber D6/566
D. 378,967 4/1997 Zowe D6/566

1 Claim, 3 Drawing Sheets



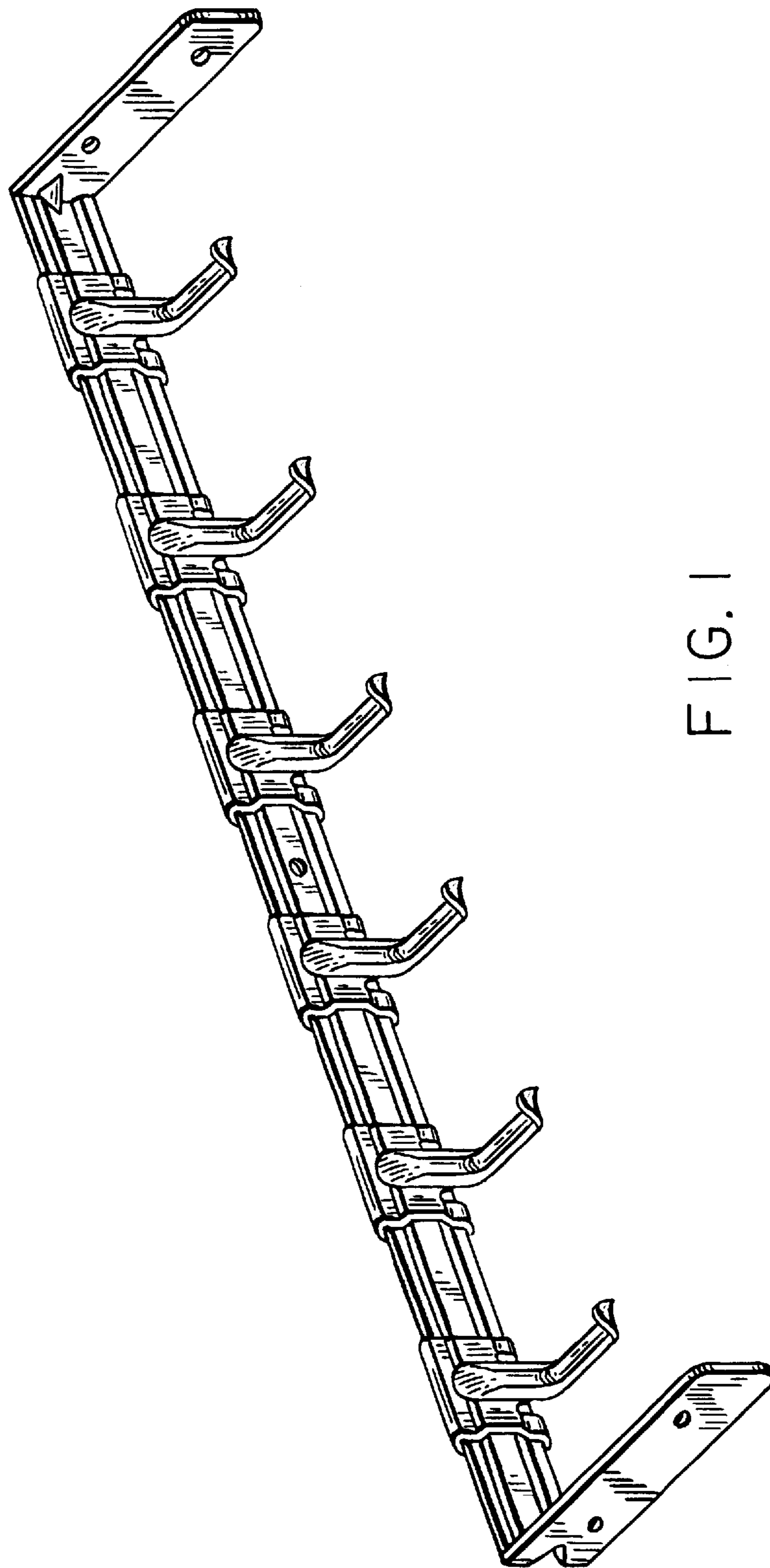


FIG. 1

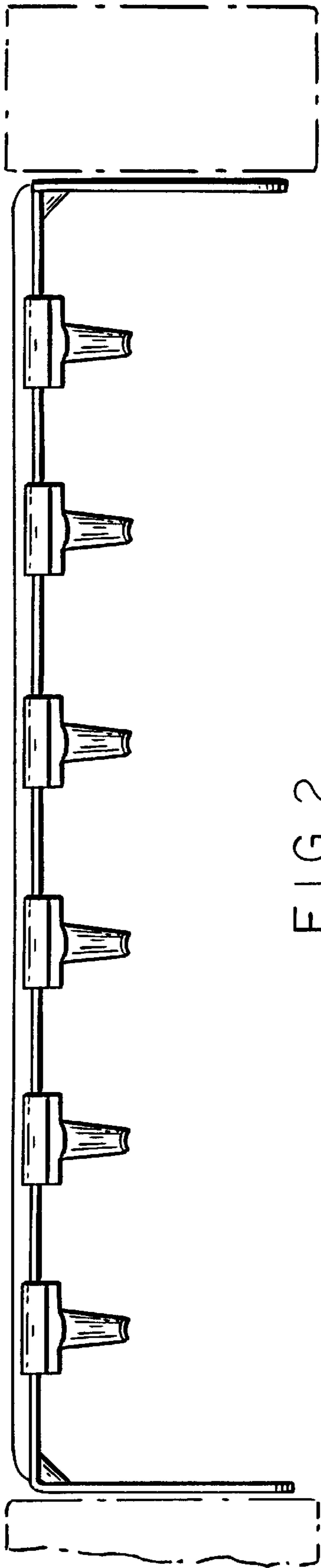


FIG. 2

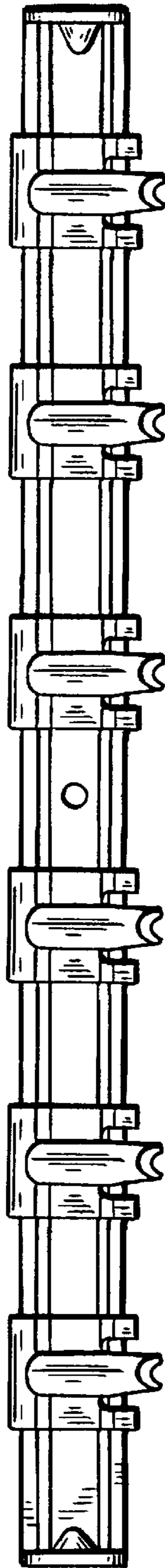


FIG. 3

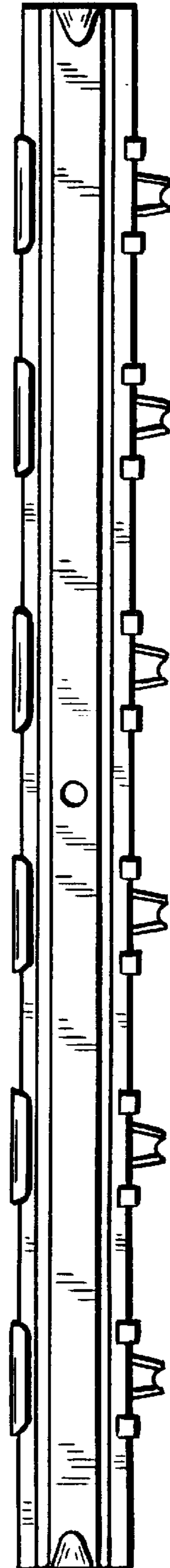


FIG. 4

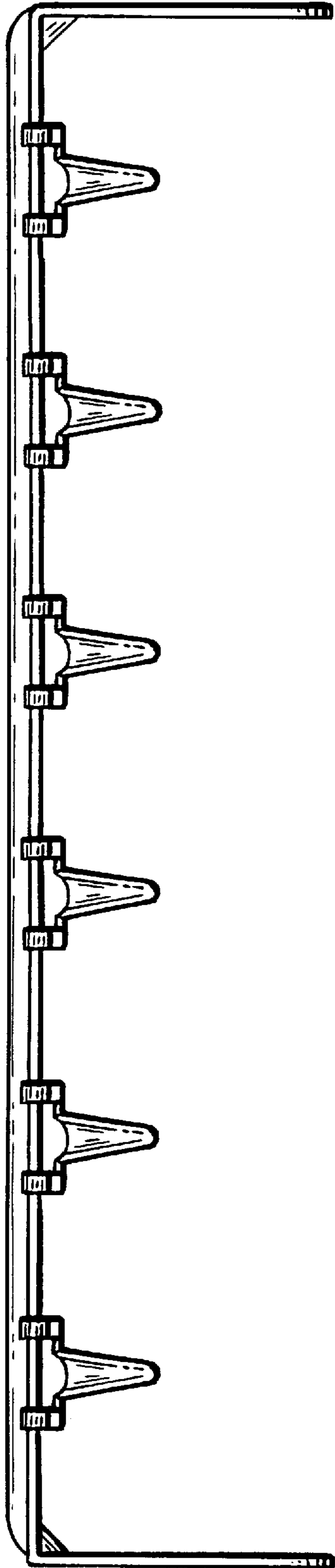


FIG. 5

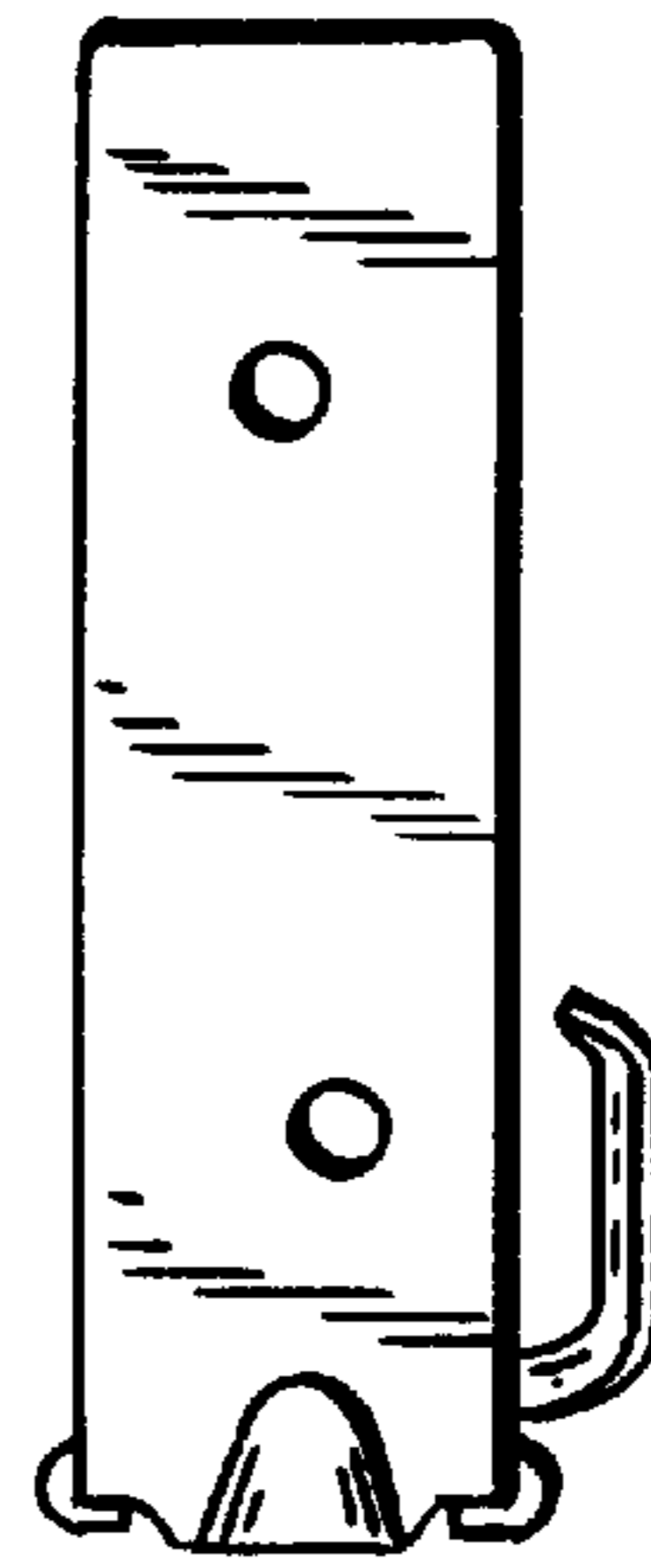


FIG. 6