



US00D401456S

United States Patent [19]
Zaidman

[11] **Patent Number: Des. 401,456**

[45] **Date of Patent: **Nov. 24, 1998**

[54] **FOOTBOARD**

D. 366,575 1/1996 Paus D6/395

[75] Inventor: **Paul Zaidman**, Winnipeg, Canada

OTHER PUBLICATIONS

Gable House p. 12, footboard on bed #64 1422QS.

[73] Assignee: **Palliser Furniture Ltd.**, Winnipeg, Canada

Primary Examiner—Janice E. Seeger

Attorney, Agent, or Firm—Pollock, Vande Sande & Priddy

[**] Term: **14 Years**

[57] **CLAIM**

[21] Appl. No.: **67,404**

The ornamental design for a footboard, as shown and described.

[22] Filed: **Feb. 28, 1997**

[51] **LOC (6) Cl.** **06-01**

DESCRIPTION

[52] **U.S. Cl.** **D6/508**

FIG. 1 is a top view of the footboard showing my new design;

[58] **Field of Search** D6/382-384, 390-395, D6/505-508; 5/53.1, 279.1, 280, 907

FIG. 2 is a front view thereof;

FIG. 3 is a left side elevational view, the right side being a mirror image thereof; and,

[56] **References Cited**

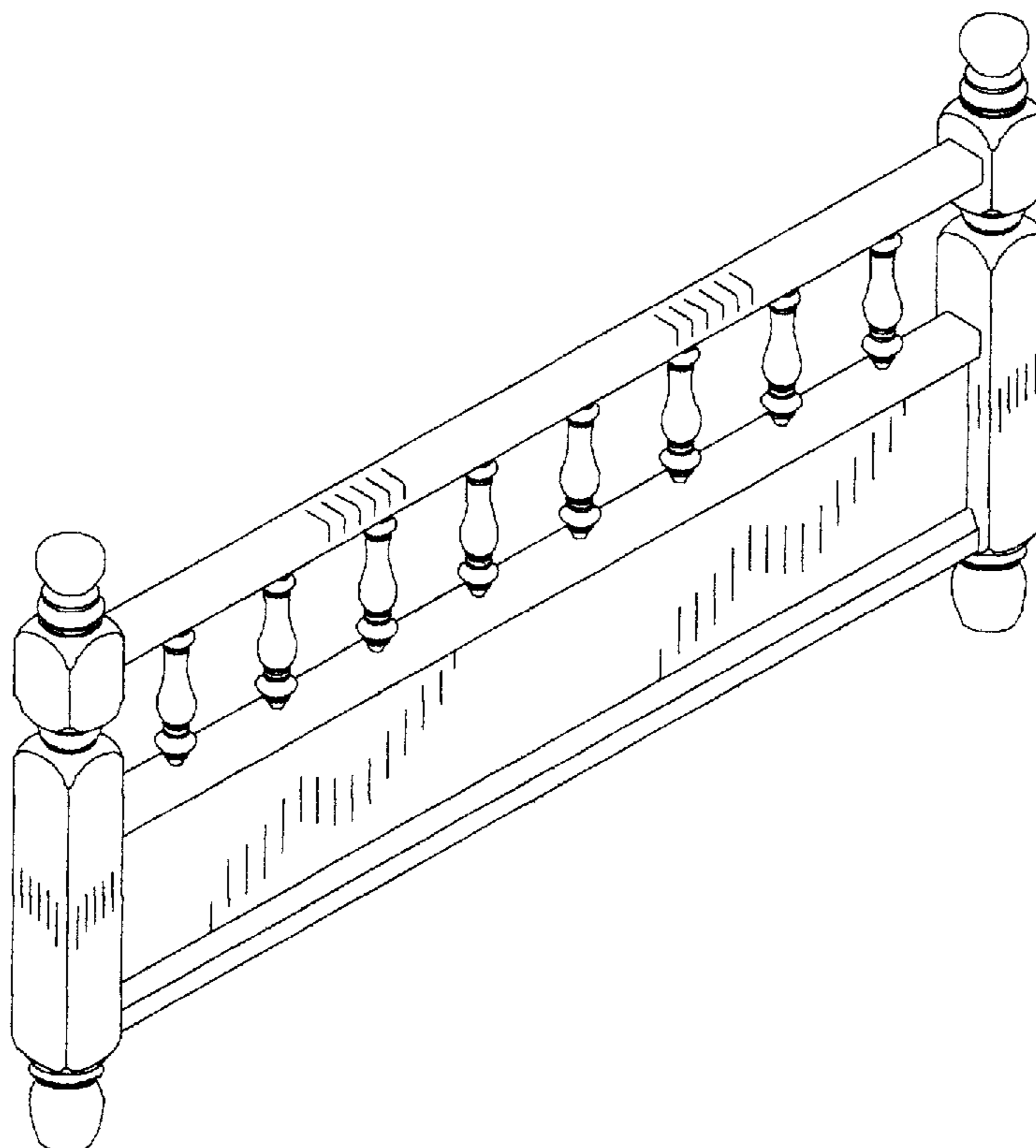
FIG. 4 is a right front perspective view thereof.

U.S. PATENT DOCUMENTS

D. 218,390 8/1970 Bouffard D6/390

D. 234,385 2/1975 Turner D6/384

1 Claim, 2 Drawing Sheets



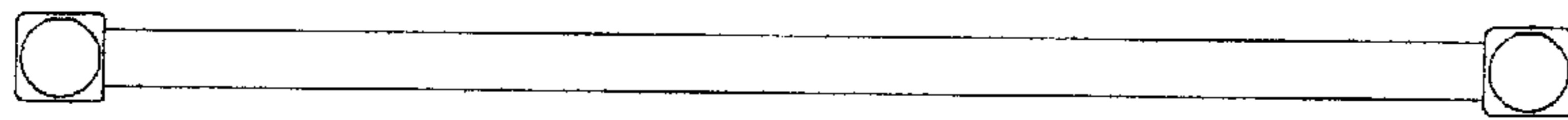


FIG. 1

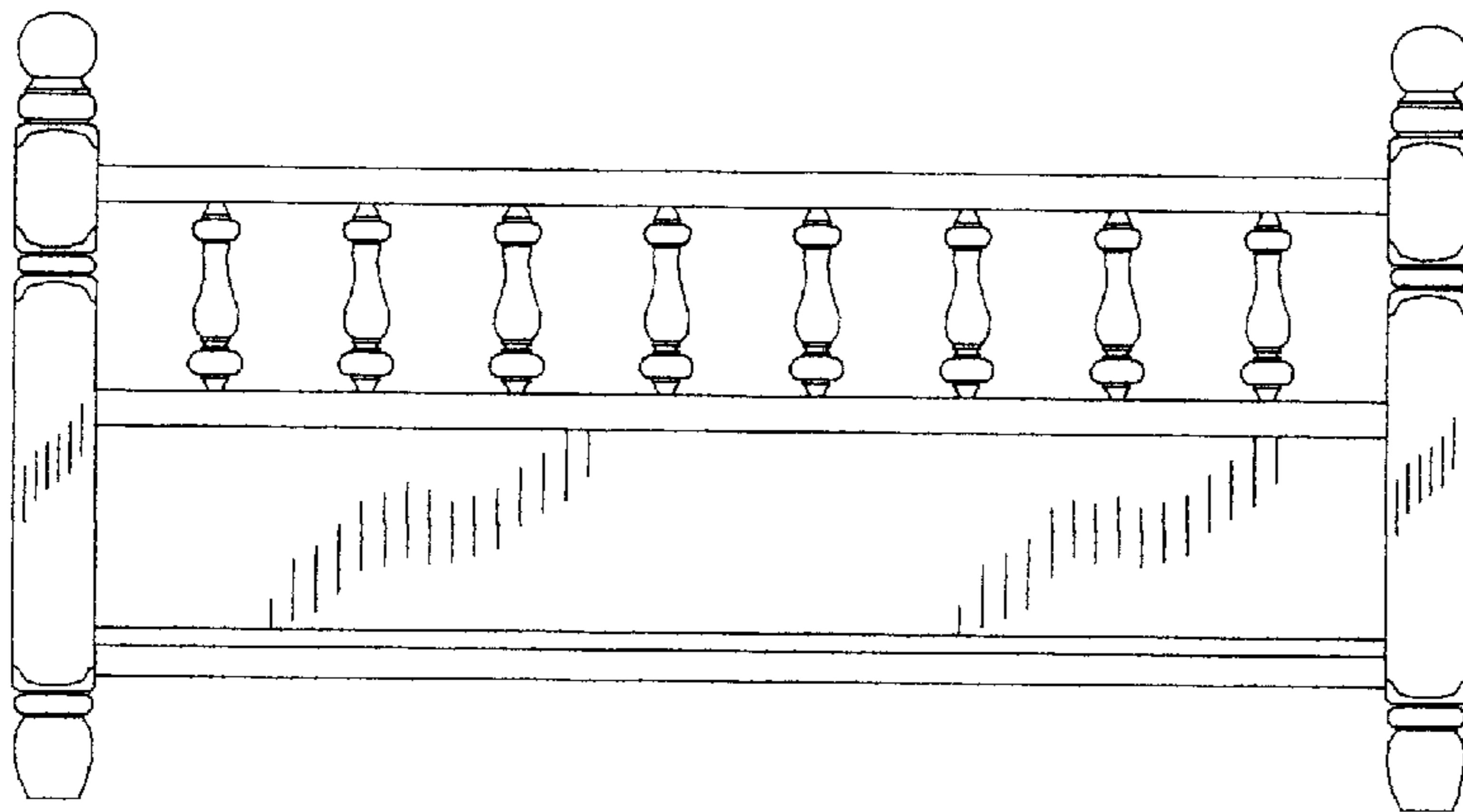


FIG. 2

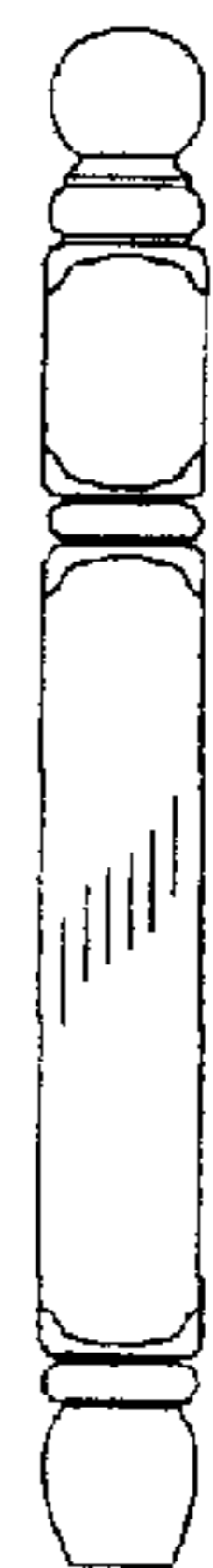


FIG. 3

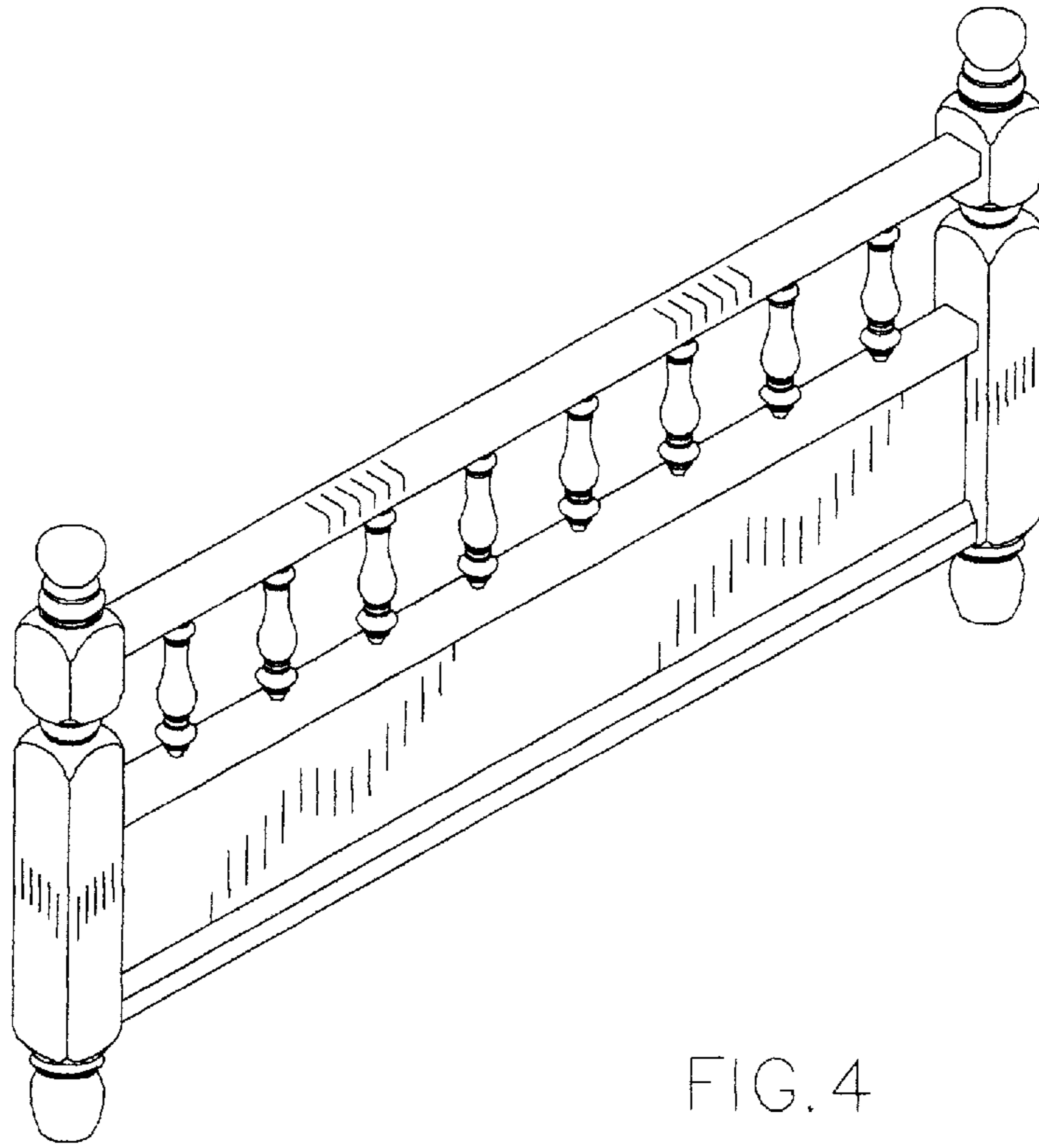


FIG. 4