



US00D401455S

United States Patent [19] Pate

[11] Patent Number: **Des. 401,455**

[45] Date of Patent: ****Nov. 24, 1998**

[54] **HEADREST**

[76] Inventor: **Richard G. Pate**, 140 Wright Cir.,
Niceville, Fla. 32578

[**] Term: **14 Years**

[21] Appl. No.: **21,158**

[22] Filed: **Apr. 11, 1994**

Related U.S. Application Data

[63] Continuation of Ser. No. 924,237, Aug. 3, 1992, abandoned.

[51] **LOC (6) Cl.** **06-06**

[52] **U.S. Cl.** **D6/501**

[58] **Field of Search** D6/356, 367, 500,
D6/501, 502; 297/391, 396, 397, 400, 410

[56] References Cited

U.S. PATENT DOCUMENTS

D. 201,961	8/1965	Lohn	D6/502
D. 207,903	6/1967	Belk	D6/502
2,013,481	9/1935	Stonehill	D6/501 X
2,765,840	10/1956	Robert et al.	297/410 X
3,084,978	4/1963	Johansson	297/391 X
3,205,005	9/1965	Brown	297/397

3,271,072	9/1966	Barker	297/397
3,568,890	3/1971	Leachman	297/391 X
4,844,545	7/1989	Ishii	.	
4,856,848	8/1989	O'Sullivan et al.	.	
4,863,218	9/1989	McCrackin	.	
4,900,089	2/1990	Alexander	.	
4,923,250	5/1990	Hattori	.	

OTHER PUBLICATIONS

Brochure distributed by American Inventors Corporation approximately during Oct. 1992.

Primary Examiner—Gary D. Watson

[57] CLAIM

The ornamental design for a headrest, as shown and described.

DESCRIPTION

FIG. 1 is a front elevational view of the headrest showing my new design;
FIG. 2 is a rear elevational view thereof;
FIG. 3 is a left side elevational view thereof;
FIG. 4 is a right side elevational view thereof;
FIG. 5 is a top plan view thereof; and,
FIG. 6 is a bottom plan view thereof.

1 Claim, 4 Drawing Sheets

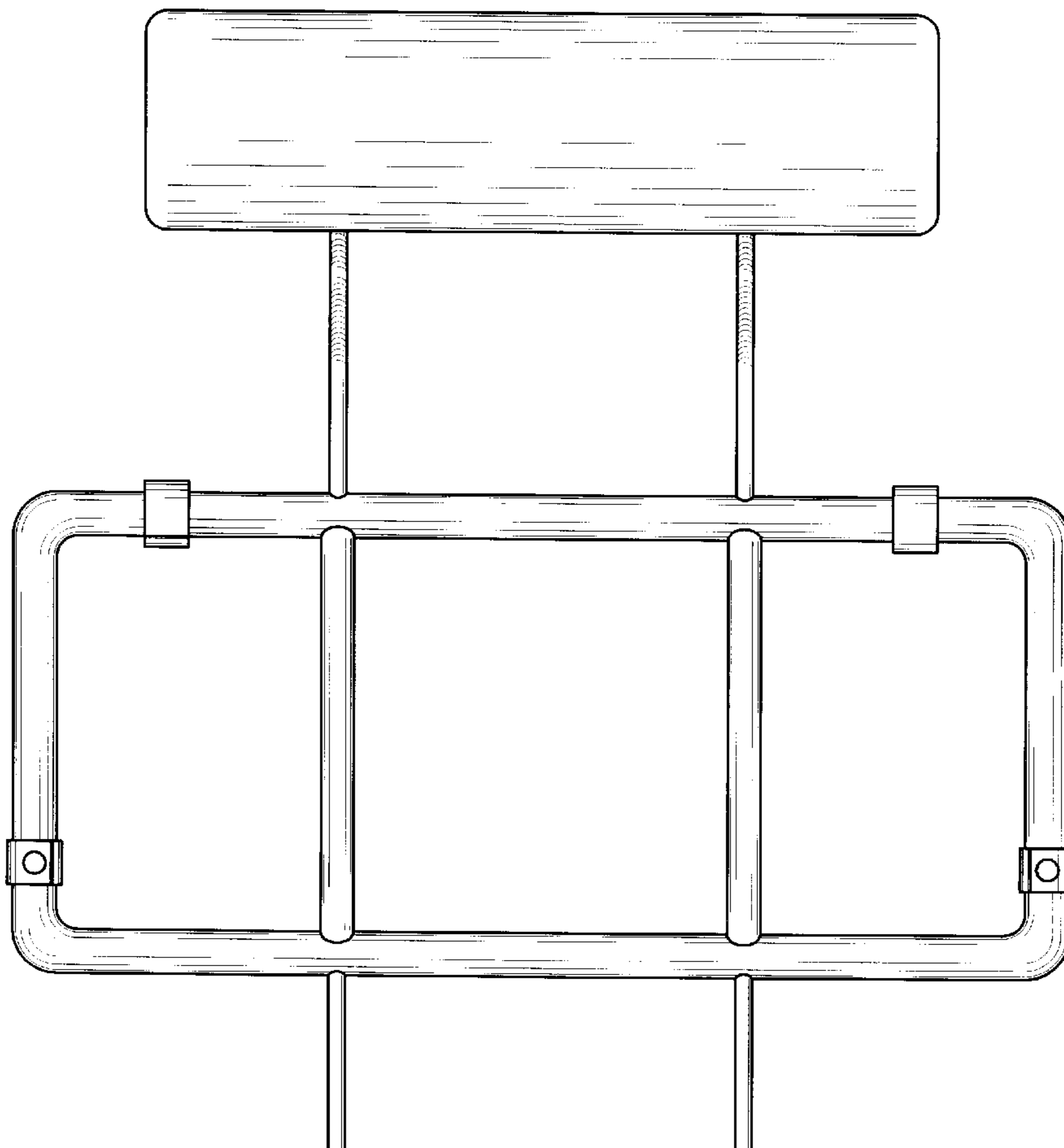


FIG. 1

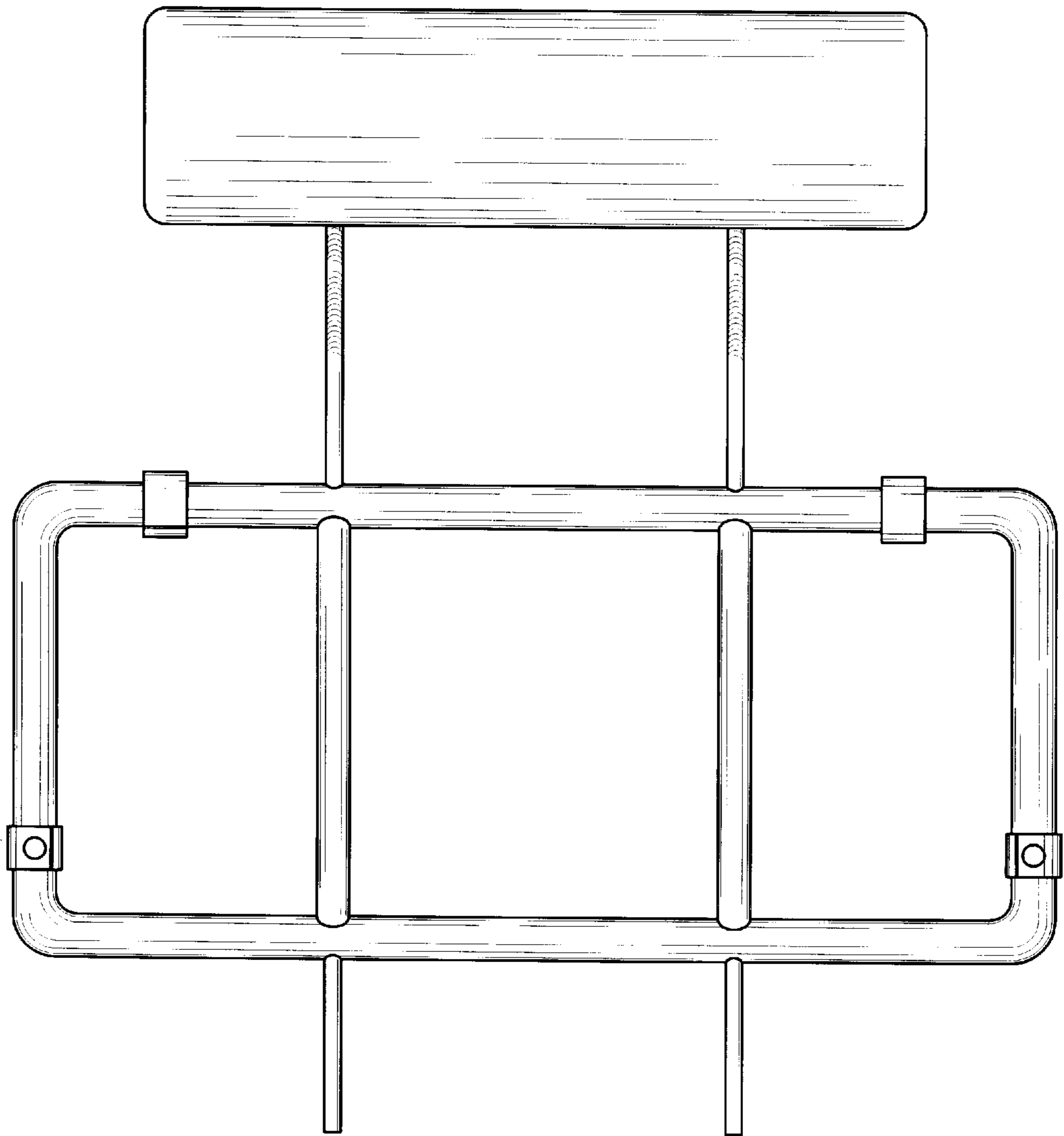


FIG. 2

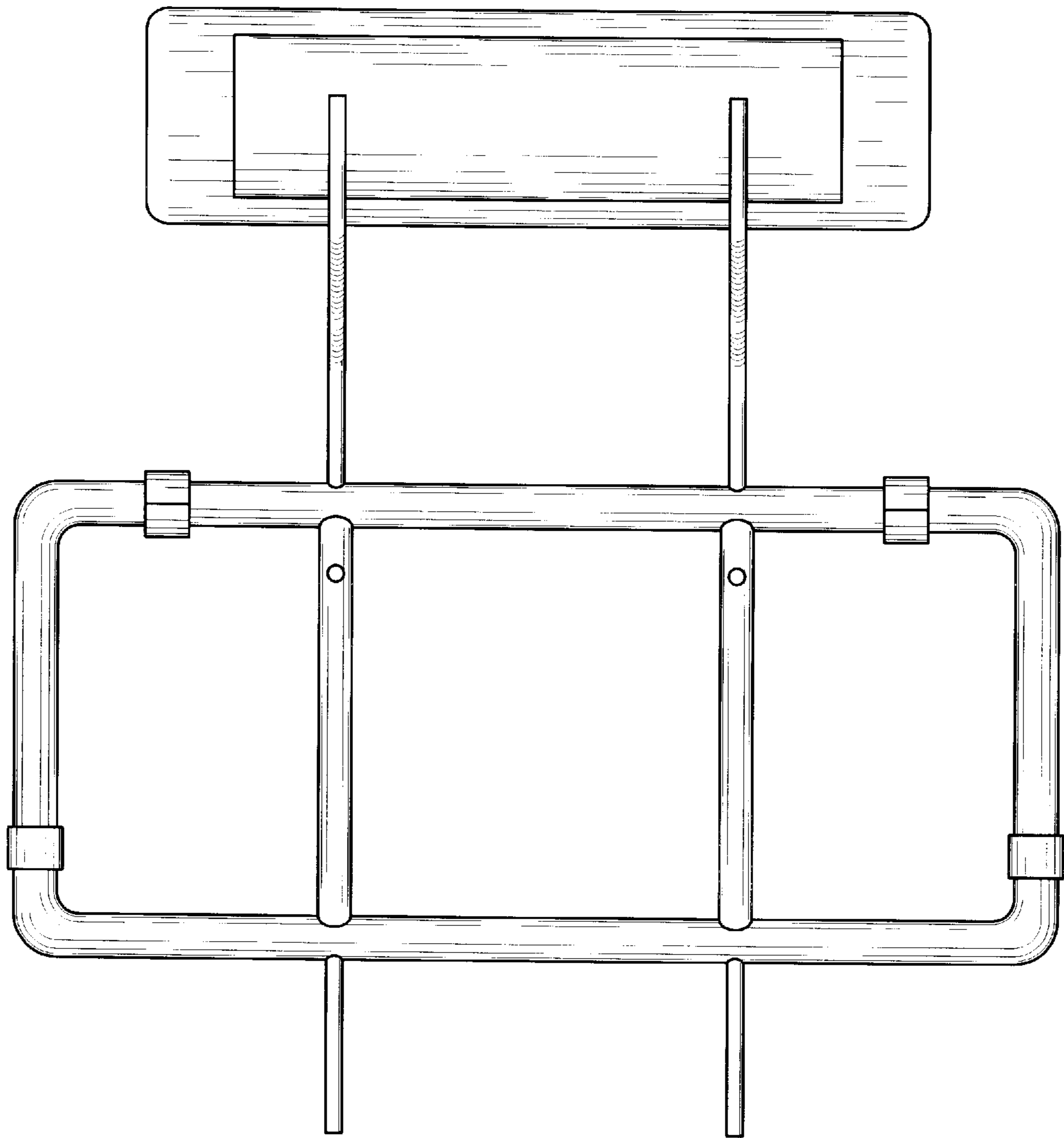


FIG. 3

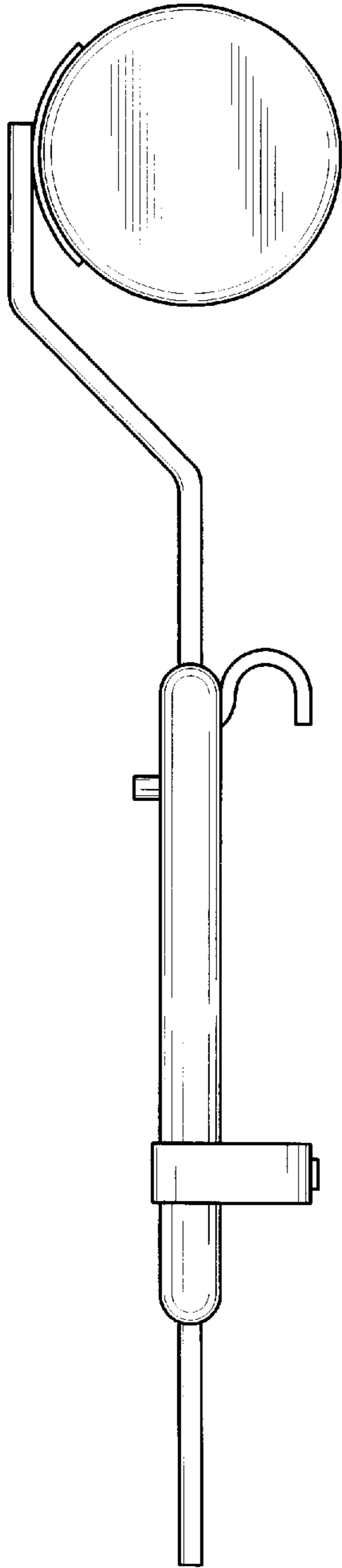


FIG. 4

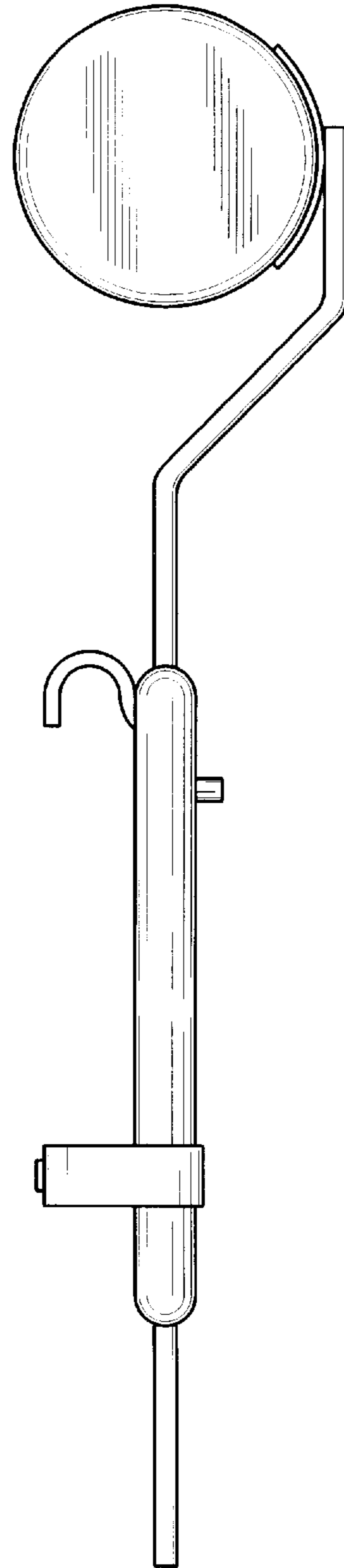


FIG. 5

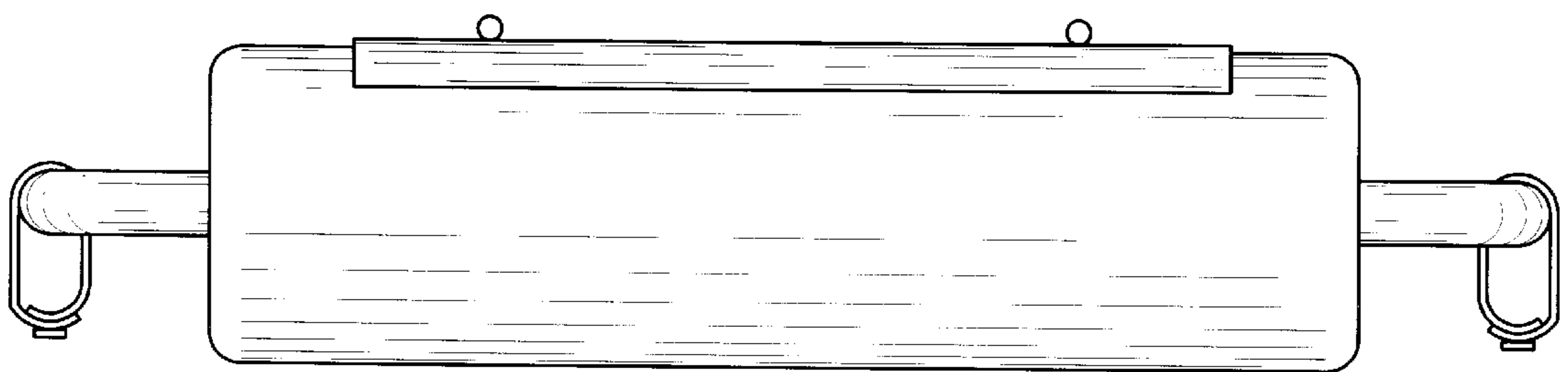


FIG. 6

