



US00D401454S

United States Patent [19] De Blaay

[11] **Patent Number: Des. 401,454**

[45] **Date of Patent: **Nov. 24, 1998**

[54] **PEDESTAL EXTENSION DINING TABLE**

*Attorney, Agent, or Firm—*Trapani & Molldrem

[75] Inventor: **William E. De Blaay**, Manlius, N.Y.

[57] **CLAIM**

[73] Assignee: **L & J. G. Stickley, Inc.**, Manlius, N.Y.

The ornamental design for a pedetal extension dining table, as shown and described.

[**] Term: **14 Years**

DESCRIPTION

[21] Appl. No.: **76,209**

[22] Filed: **Sep. 8, 1997**

FIG. 1 is a perspective view of a pedestal extension dining table showing my new design, with contrasting wood inlay in the top and pedestal;

[51] **LOC (6) Cl. 06-03**

[52] **U.S. Cl. D6/486; D6/430; D6/480**

[58] **Field of Search D6/480-489, 511, D6/429, 430, 495, 496; 108/150, 153, 155, 156, 157, 161, 83, 86, 88, 90; 248/188, 188.1**

FIG. 2 is a right side elevational view thereof, the left side elevation being a mirror image;

FIG. 3 is a front elevation thereof, the rear elevation being a mirror image;

[56] **References Cited**

U.S. PATENT DOCUMENTS

D. 151,586	11/1948	Buckner	D6/486
D. 233,088	10/1974	Sharky	D6/486
D. 290,796	7/1987	Becker	D6/480
D. 306,107	2/1990	Grosfillex	D6/480
3,724,399	4/1973	Notko et al.	108/157.14
5,577,450	11/1996	Huang	108/86

FIG. 4 is a top plan view thereof;

FIG. 5 is perspective view of the table with extension leaves in place;

FIG. 6 is a right side elevation of the table with extension leaves, the left side elevation being a mirror image; and,

FIG. 7 is a top plan view thereof.

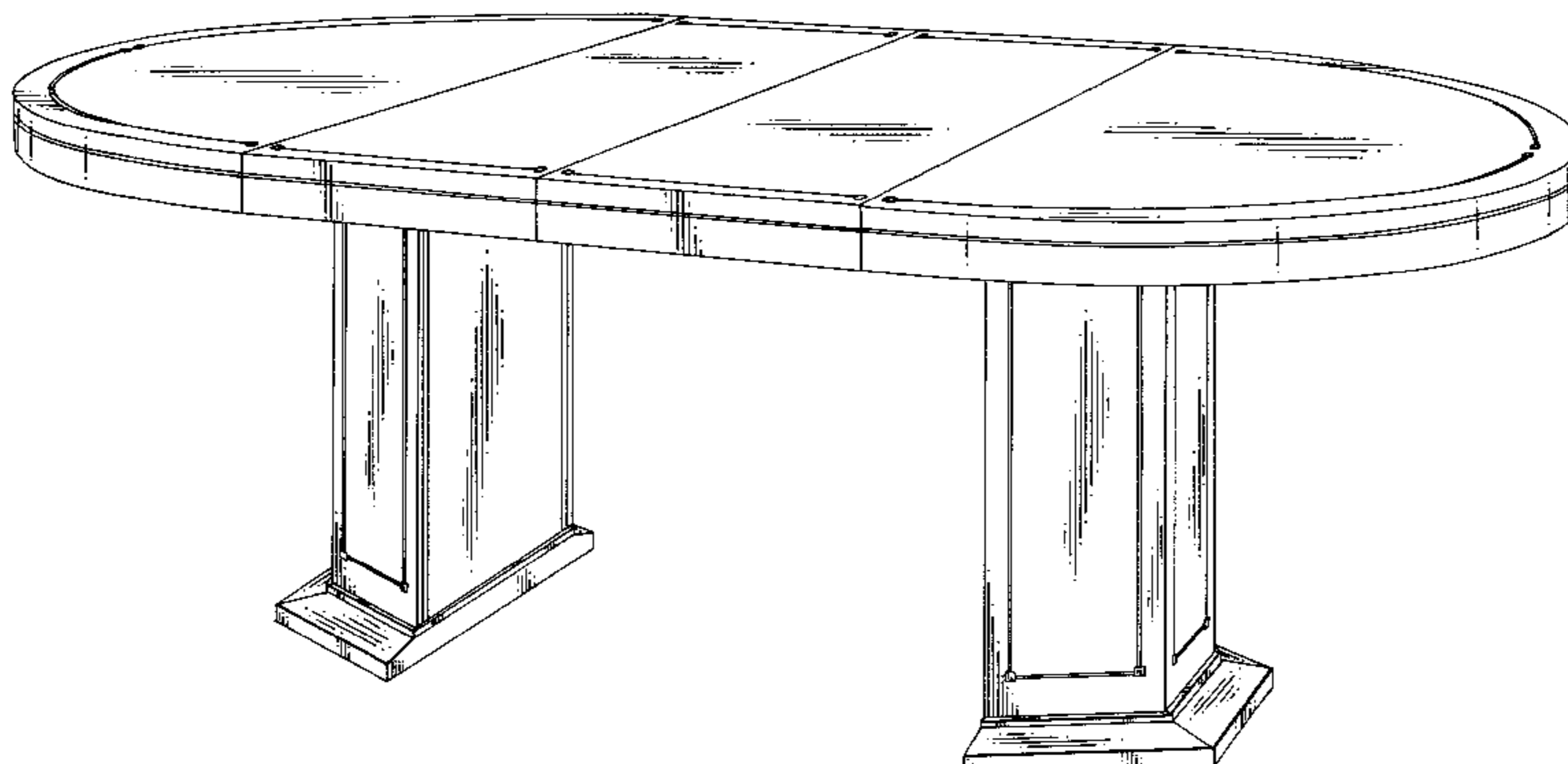
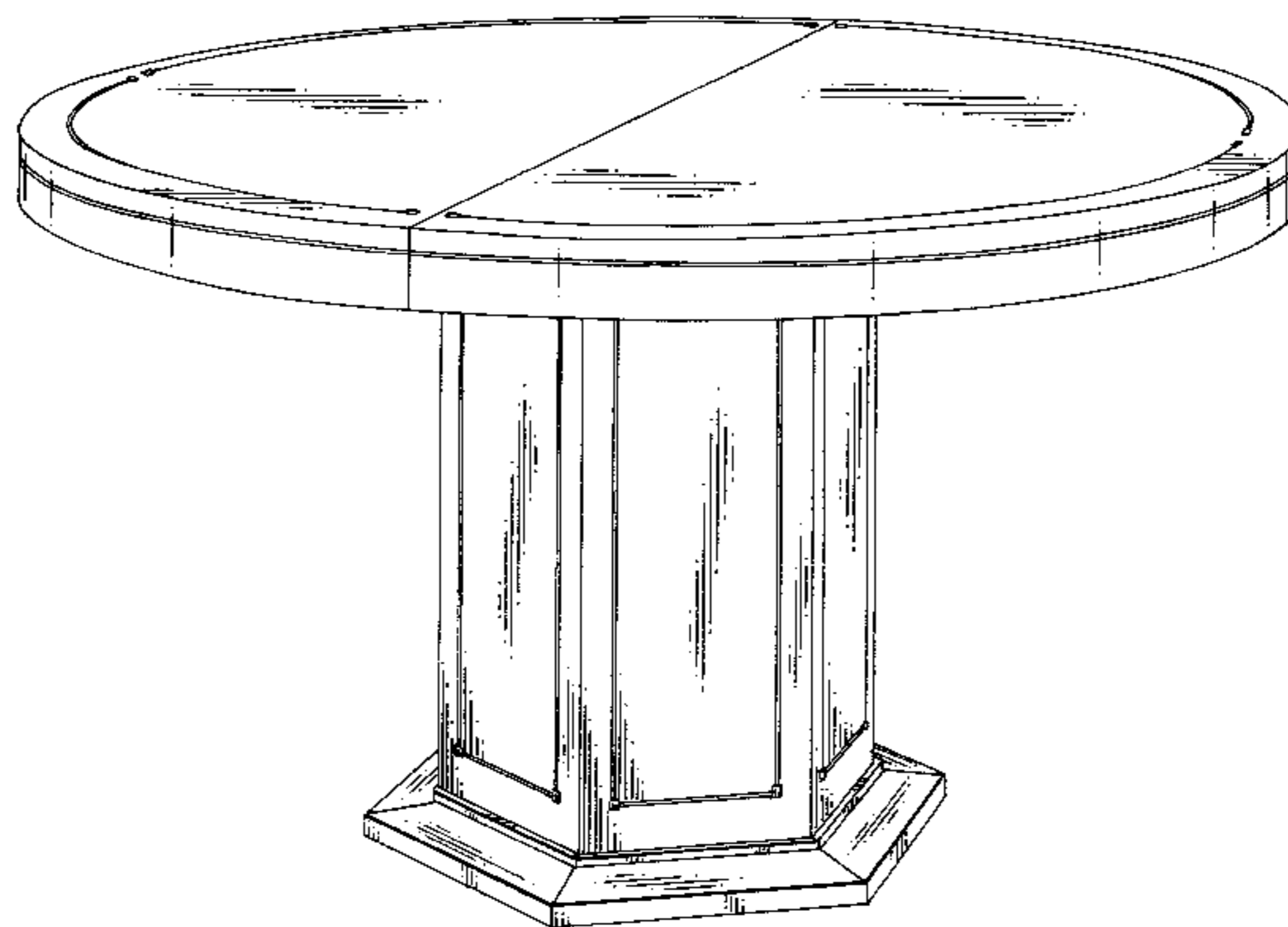
OTHER PUBLICATIONS

Artec, Planus table desk, c1983.
Thomasville, Topaz, Sep. 1987, table.

The bottom of the table is plain and unadorned.

*Primary Examiner—*Janice E. Seeger

1 Claim, 6 Drawing Sheets



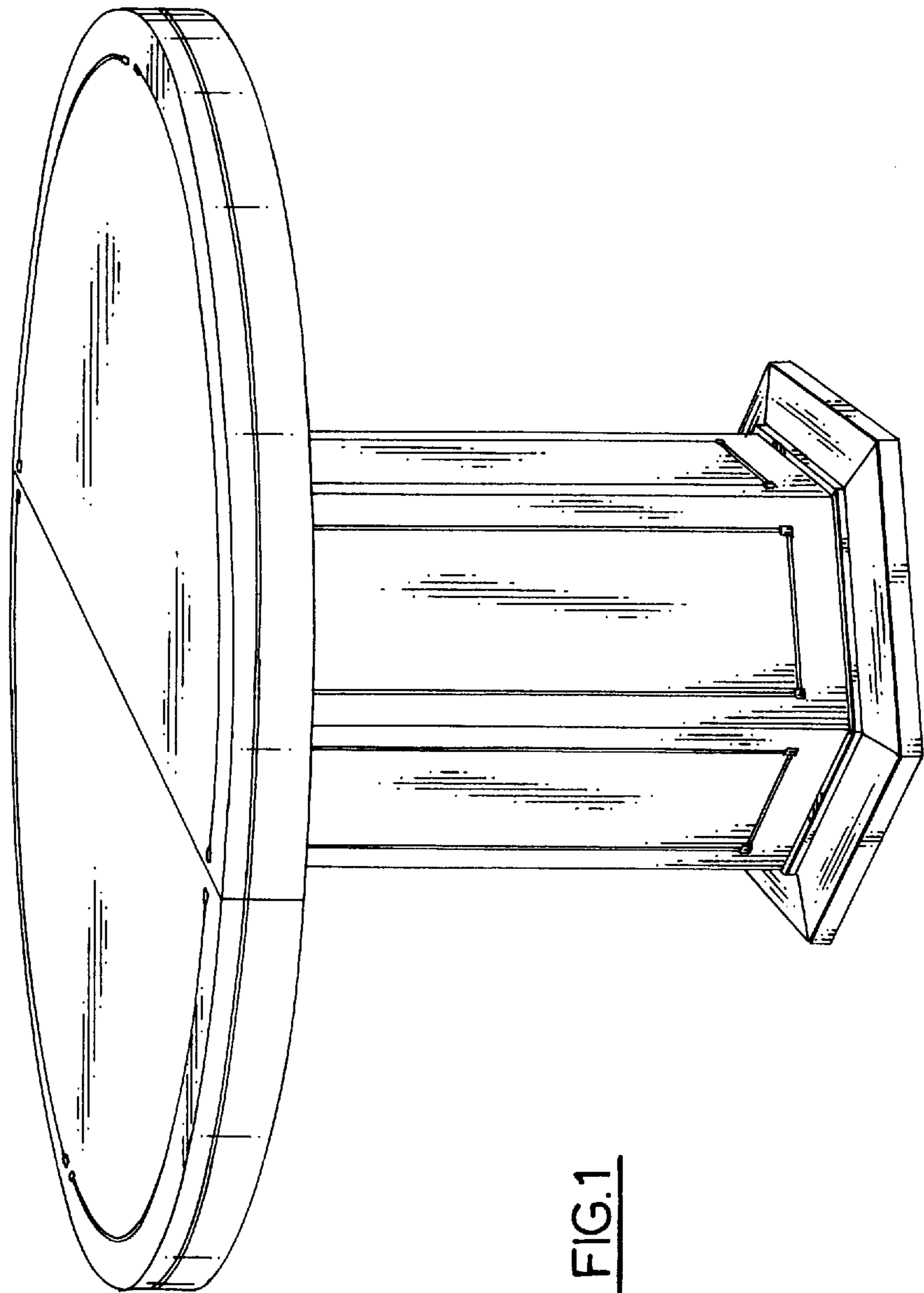


FIG. 1

FIG.2

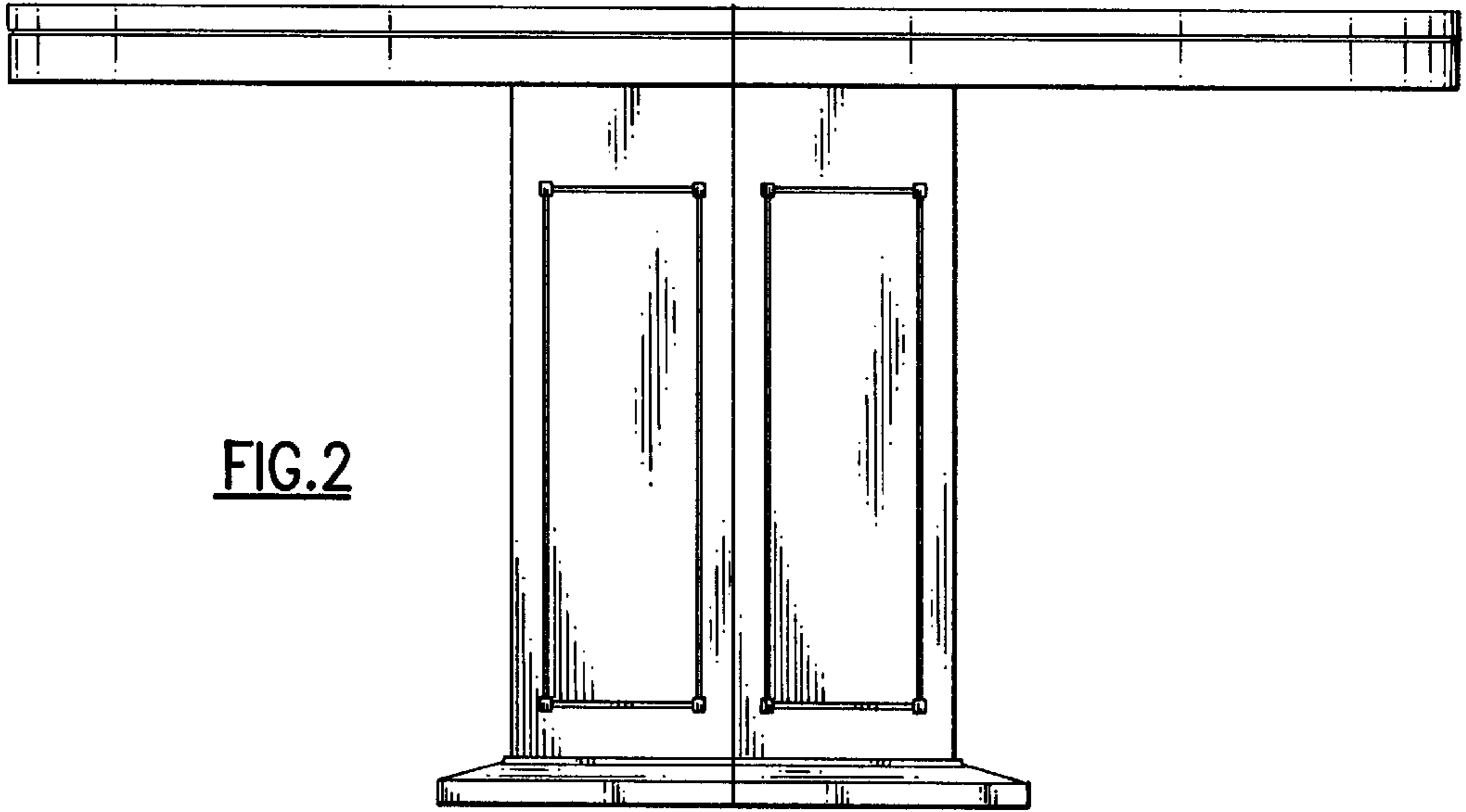
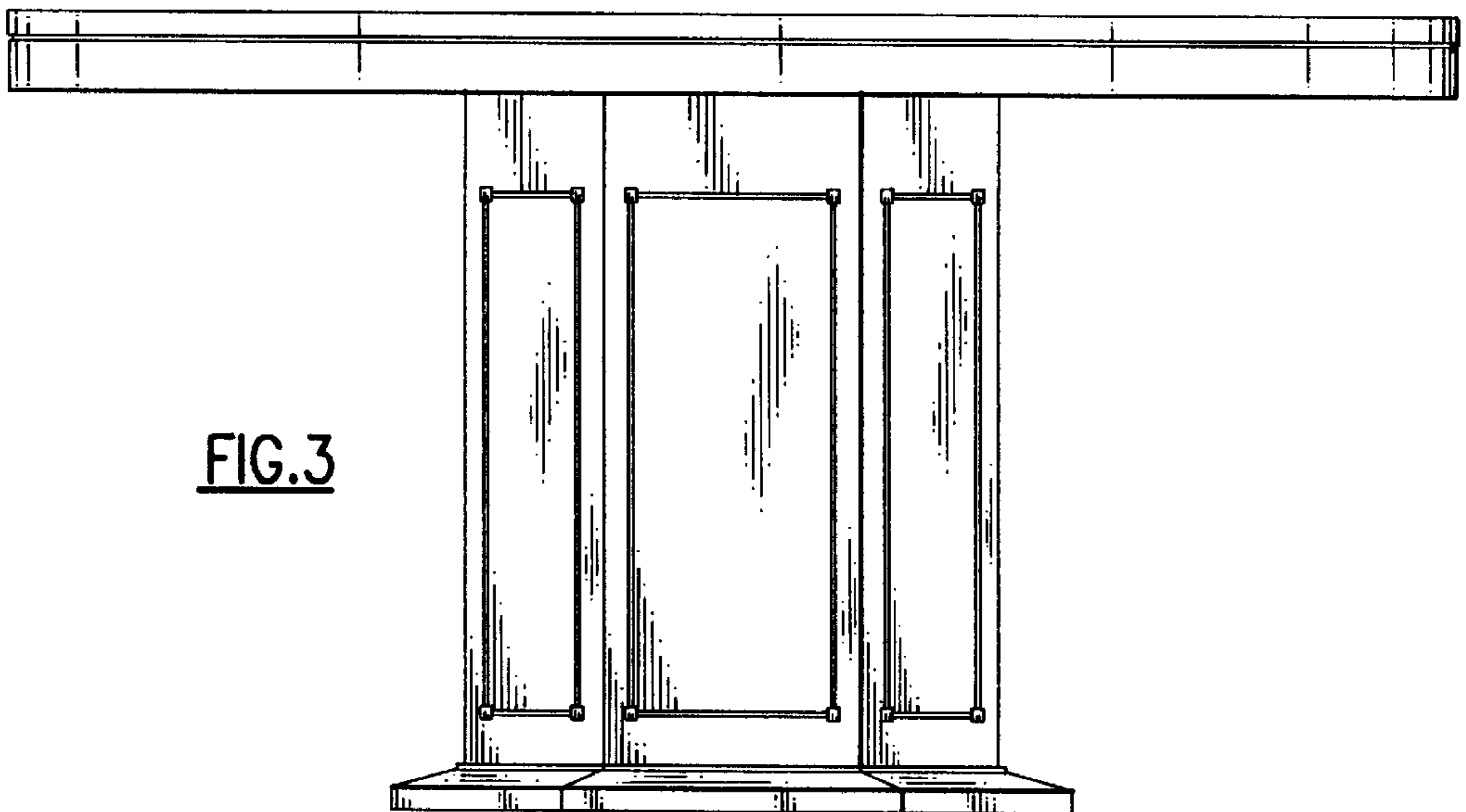


FIG.3



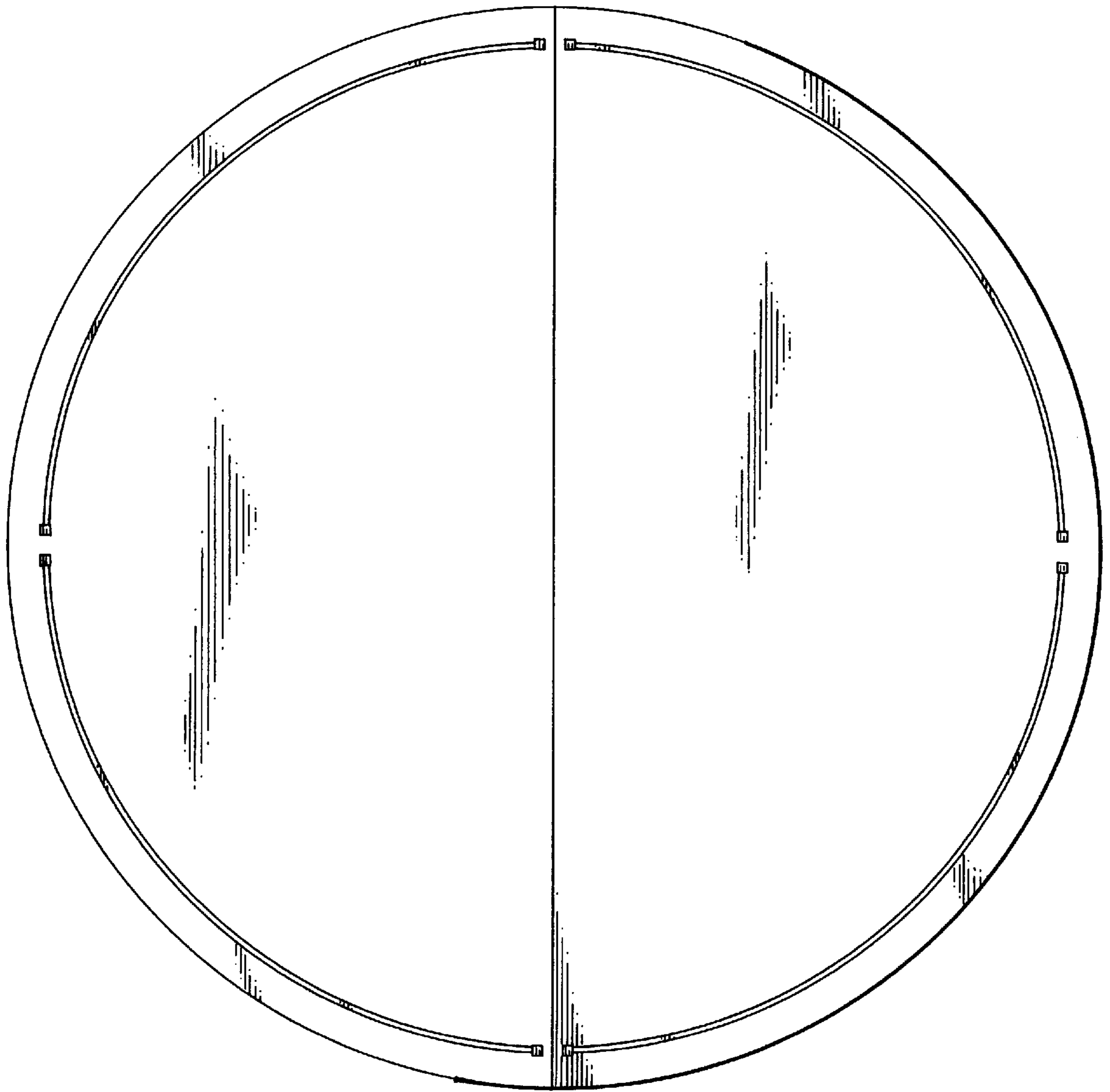


FIG.4

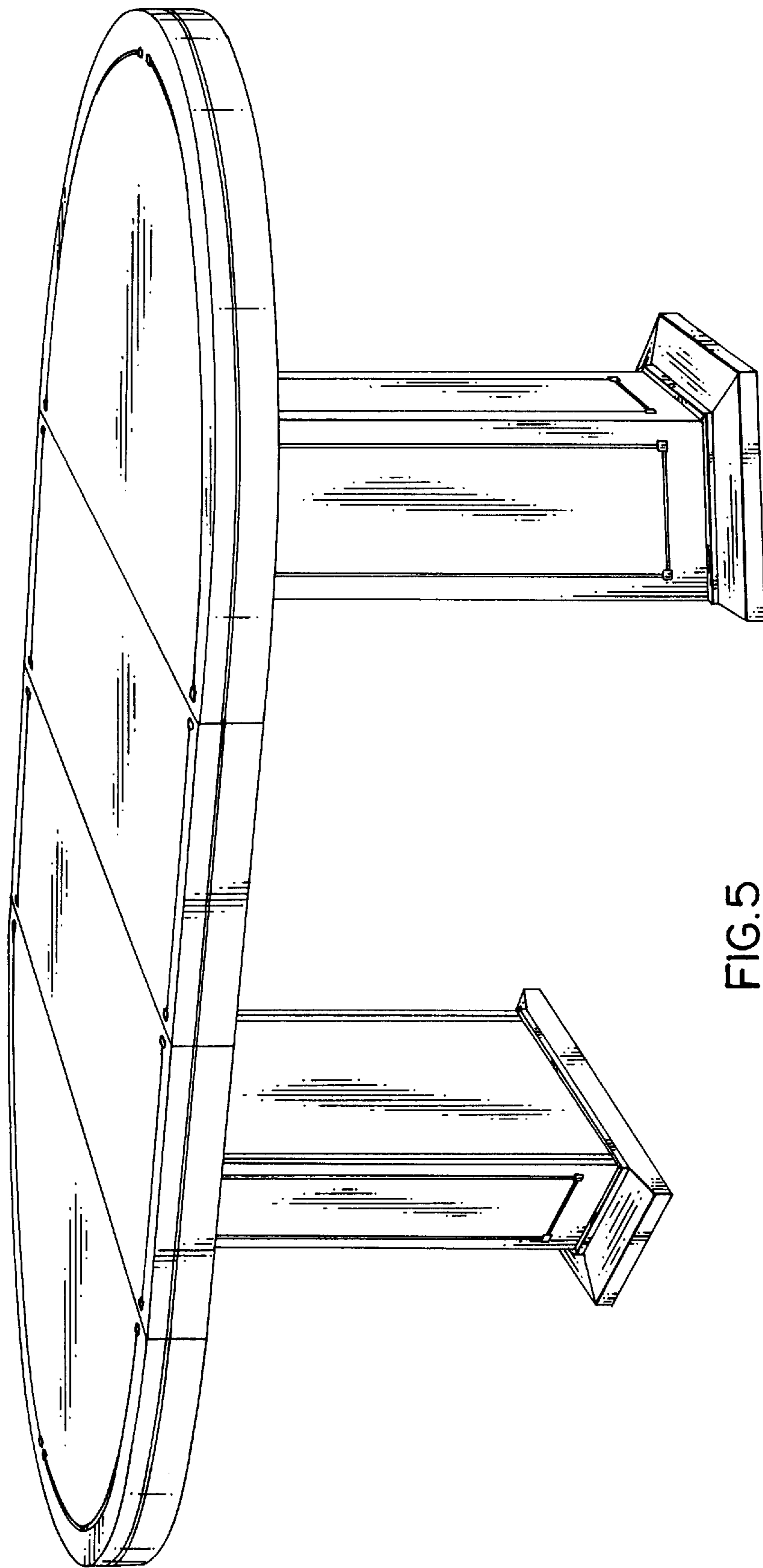


FIG. 5

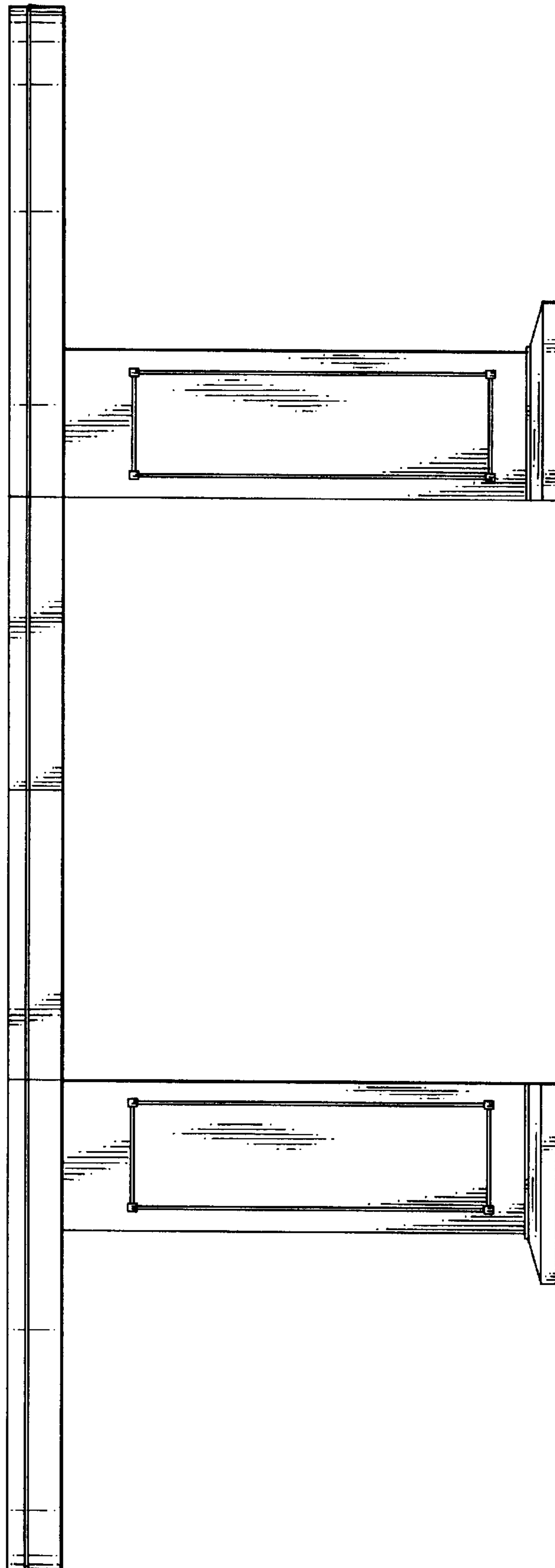


FIG. 6

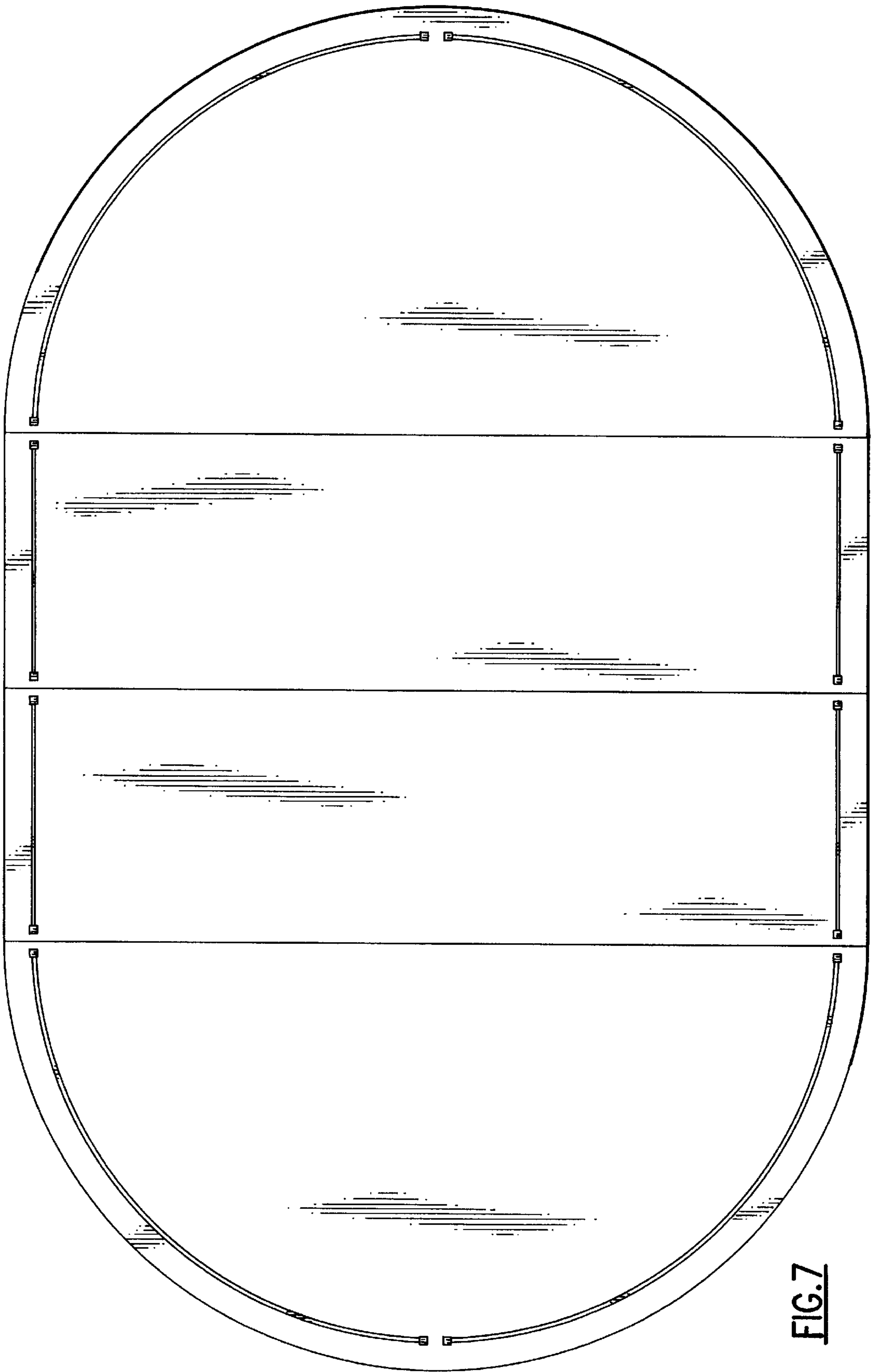


FIG. 7

UNITED STATES PATENT AND TRADEMARK OFFICE
CERTIFICATE OF CORRECTION


PATENT NO. : Des. 401,454
DATED : Nov. 24, 1998
INVENTOR(S) : William E. De Blaay

It is certified that error appears in the above-identified patent and that said Letters Patent is hereby corrected as shown below:

In the Claim:

“pedetal” should read --pedestal--.

Signed and Sealed this
Twenty-third Day of March, 1999



Q. TODD DICKINSON

Acting Commissioner of Patents and Trademarks

Attest:

Attesting Officer