



US00D401451S

United States Patent [19]
Sherman

[11] **Patent Number: Des. 401,451**
[45] **Date of Patent: **Nov. 24, 1998**

[54] **PHARMACEUTICAL ORDER DISPLAY STAND**

[76] Inventor: **Stanley Sherman**, 4608 Westridge Pl.,
Camp Springs, Md. 20348

[**] Term: **14 Years**

[21] Appl. No.: **45,478**

[22] Filed: **Oct. 20, 1995**

[51] **LOC (6) Cl.** **06-04**

[52] **U.S. Cl.** **D6/467**

[58] **Field of Search** D6/449, 466, 467,
D6/473, 475, 582, 510, 511, 407, 596;
211/41, 45, 126, 128, 59.2, 133, 134, 187,
135, 153.13; D99/34; 206/387.15, 564;
312/114; 248/441.1, 174, 247, 444.1; 108/59,
108, 152, 186, 187; D19/75; D7/409; D30/120;
52/179, 537, 588.1; D12/114, 203; D3/304;
105/422; D25/123, 125; D20/43, 44; D21/54,
57

[56] **References Cited**

U.S. PATENT DOCUMENTS

242,120 5/1881 Eastman 211/13 X

D. 245,700 9/1977 Ozimec D6/476
D. 310,460 9/1990 Vergnano D6/596 X
D. 332,708 1/1993 Schmidt et al. D6/407
D. 336,752 6/1993 Lattimer D19/75 X
D. 353,728 12/1994 Markson D20/43 X
2,975,089 3/1961 Hargreaves D30/120
3,110,371 12/1963 De Ridder D25/125 X
4,163,497 8/1979 McEwen 248/441.1 X
5,105,725 4/1992 Haglund D7/409 X
5,200,882 4/1993 Blomquist 211/41 X
5,461,836 10/1995 Yang 52/179

Primary Examiner—James Gandy
Assistant Examiner—Linda Brooks

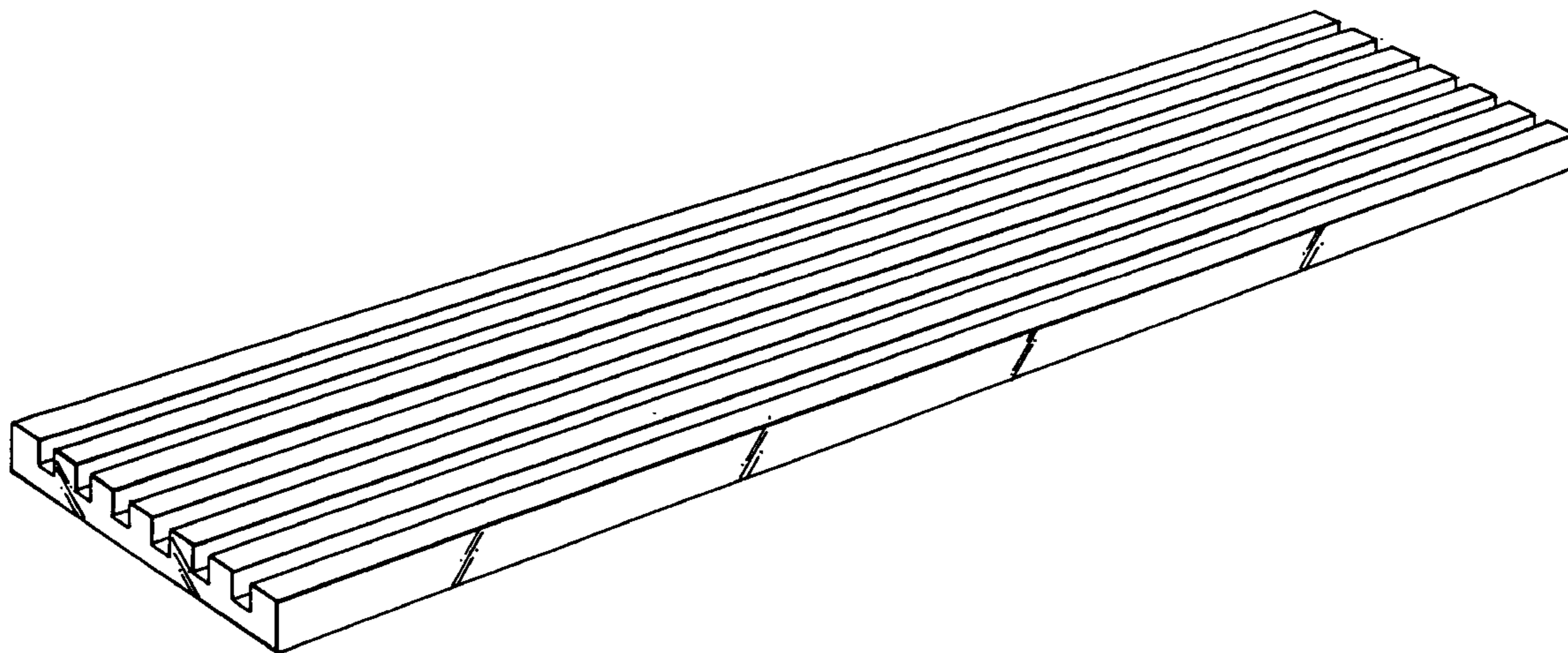
[57] **CLAIM**

The ornamental design for a pharmaceutical order display stand, as shown and described.

DESCRIPTION

FIG. 1 is a top plan view;
FIG. 2 is a bottom plan view;
FIG. 3 is a side elevational view (both sides the same);
FIG. 4 is an end view (both ends the same); and,
FIG. 5 is a right perspective view.

1 Claim, 2 Drawing Sheets



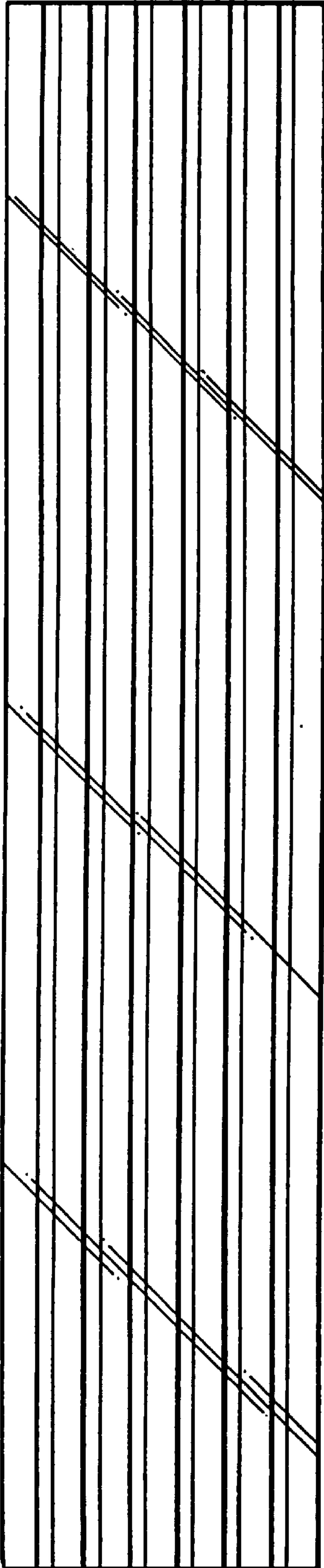


FIG. 1

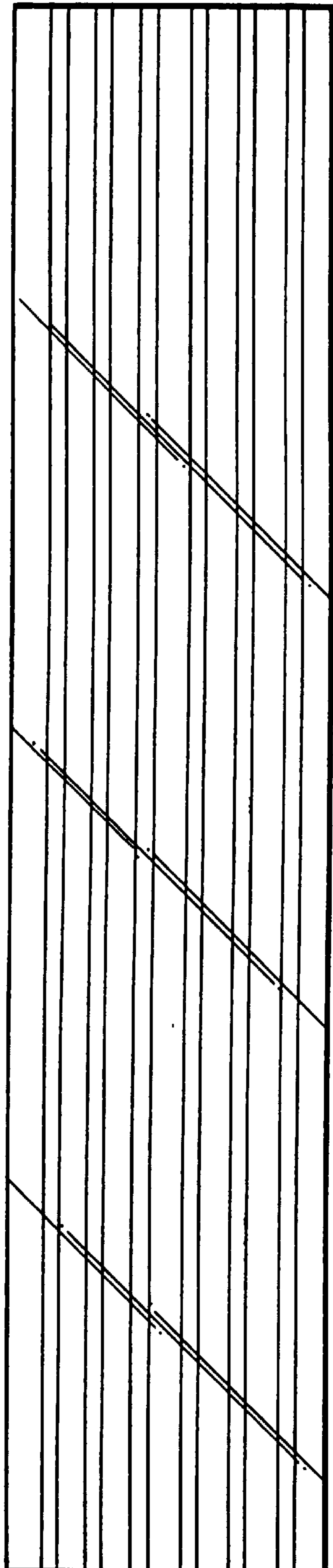


FIG. 2



FIG. 3



FIG. 4

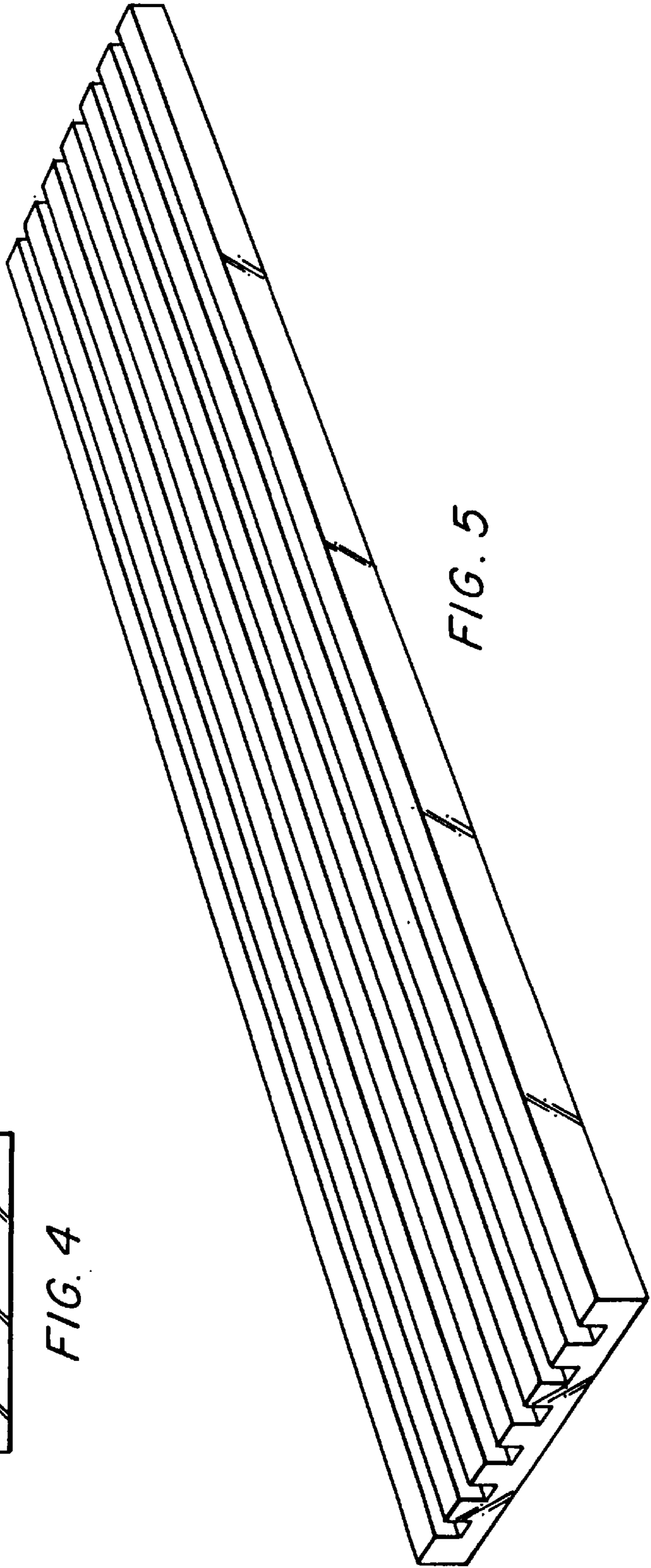


FIG. 5