



US00D401450S

United States Patent [19] Ennis

[11] **Patent Number: Des. 401,450**
[45] **Date of Patent: ***Nov. 24, 1998**

[54] **SPECTACLE DISPLAY HOLDER**
[76] Inventor: **Jan S. Ennis**, 16709 NE. 41st St.,
Redmond, Wash. 98052
[*] Notice: The term of this patent shall not extend
beyond the expiration date of Pat. Nos. D.
351,955 and D. 367,571.
[**] Term: **14 Years**
[21] Appl. No.: **47,688**
[22] Filed: **Dec. 11, 1995**

3,924,750	12/1975	Dunchock	211/13
4,011,953	3/1977	Engelman	211/13
4,128,224	12/1978	Guichard	248/316
4,180,921	1/1980	Elbaum et al.	35/59
4,204,602	5/1980	Dunchock	211/13
4,541,534	9/1985	Strauss	211/13
4,558,788	12/1985	Grothaus	211/13
4,609,975	9/1986	Badolato et al.	362/125
4,614,272	9/1986	Shelton et al.	211/163
4,695,026	9/1987	Medley, Jr.	248/316.5
4,724,966	2/1988	Benaksas	211/13
4,787,520	11/1988	Pearson	211/13
4,805,781	2/1989	Tegel	211/13

(List continued on next page.)

Related U.S. Application Data

[60] Division of Ser. No. 23,869, Jun. 2, 1994, Pat. No. Des.
367,571, which is a continuation-in-part of Ser. No. 5,674,
Mar. 8, 1993, Pat. No. Des. 351,955.
[51] **LOC (6) Cl. 06-04**
[52] **U.S. Cl. D6/466**
[58] **Field of Search** D6/466, 467, 469,
D6/411, 418; D3/219; D16/129; 211/13-15,
82, 87, 89; 248/309.1, 902

FOREIGN PATENT DOCUMENTS

1328444	4/1994	Canada	A47F 005/00
220006	4/1987	European Pat. Off.	A47F 7/024
246702	11/1987	European Pat. Off.	A47F 7/024
2223342	6/1940	United Kingdom	F16B 21/06
2024003	1/1980	United Kingdom	A47F 7/00

Primary Examiner—James Gandy
Assistant Examiner—Linda Brooks
Attorney, Agent, or Firm—Vance, Romero & Montague,
P.S.

[56] References Cited

U.S. PATENT DOCUMENTS

Re. 33,596	5/1991	Ennis	211/105.2
319,293	6/1885	Merritt	.	
321,441	11/1885	Khantzis	D6/468
321,442	11/1885	Khantzis	D6/468
321,443	11/1885	Khantzis	D6/468
321,444	11/1885	Khantzis	D6/468
321,445	11/1885	Khantzis	D6/468
322,902	1/1885	Khantzis	D6/468
D. 351,955	11/1994	Ennis	D6/466
D. 367,571	3/1996	Ennis	D6/466
373,949	9/1887	Eldon et al.	D8/382
374,366	10/1887	Eldon	D6/567
595,253	12/1897	Sankey	.	
614,933	11/1898	Christianus	.	
1,661,516	3/1928	Vineberg	.	
2,884,219	4/1959	Glover	248/305
3,351,208	11/1967	Siegel	211/13
3,552,701	1/1971	Montagano	248/309
3,857,482	12/1974	Shelton	206/72

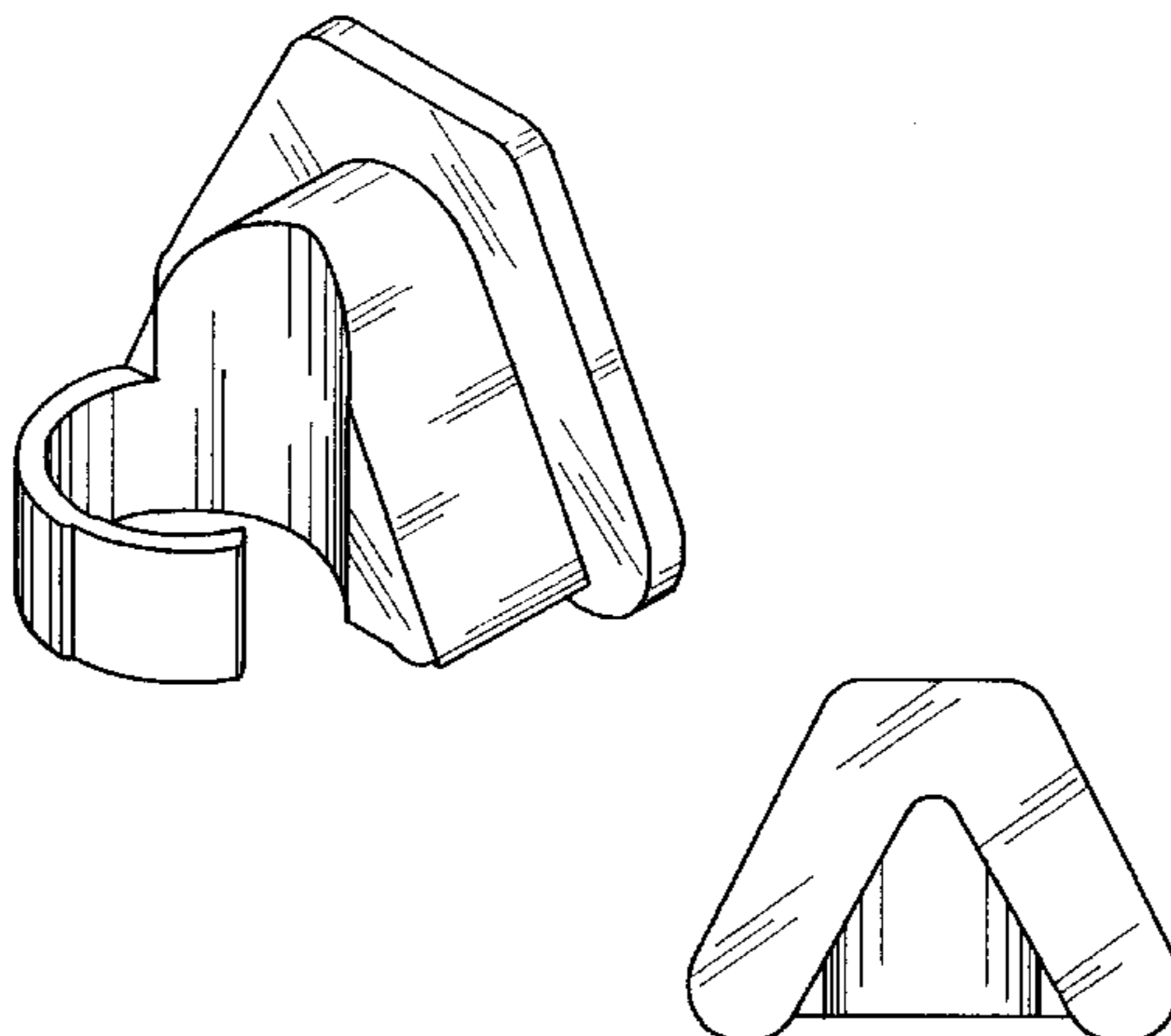
[57] CLAIM

The ornamental design for a spectacle display holder, as shown and described.

DESCRIPTION

FIG. 1 is an isometric view of the present invention;
FIG. 2 is a front elevational view of the invention illustrated
in FIG. 1;
FIG. 3 is a back elevational view of the invention illustrated
in FIG. 1;
FIG. 4 is a first side elevational view of the invention
illustrated in FIG. 1;
FIG. 5 is a second side elevational view of the invention
illustrated in FIG. 1;
FIG. 6 is a top plan view of the invention illustrated in FIG.
1; and,
FIG. 7 is a bottom plan view of the invention illustrated in
FIG. 1.

1 Claim, 1 Drawing Sheet



Des. 401,450

Page 2

U.S. PATENT DOCUMENTS			
4,830,203	5/1989	Ennis	211/105.2
4,830,480	5/1989	Ennis	211/13 X
4,878,641	11/1989	Vogt	248/309.1
4,903,925	2/1990	Park	248/206.1
4,930,740	6/1990	Vogt	248/309.1
5,069,416	12/1991	Ennis	211/13 X
5,144,345	9/1992	Nyman	351/158
5,178,283	1/1993	Ennis	211/13 X
5,316,252	5/1994	Charnow et al.	211/13 X
5,319,838	6/1994	Eppenhauer	24/3 C
5,337,903	8/1994	Wolcovitch	211/13
5,337,986	8/1994	Vollink	248/218.4
5,340,074	8/1994	Porcaro et al.	248/309.1
5,593,045	1/1997	Eldon et al.	211/13

FIG. 1

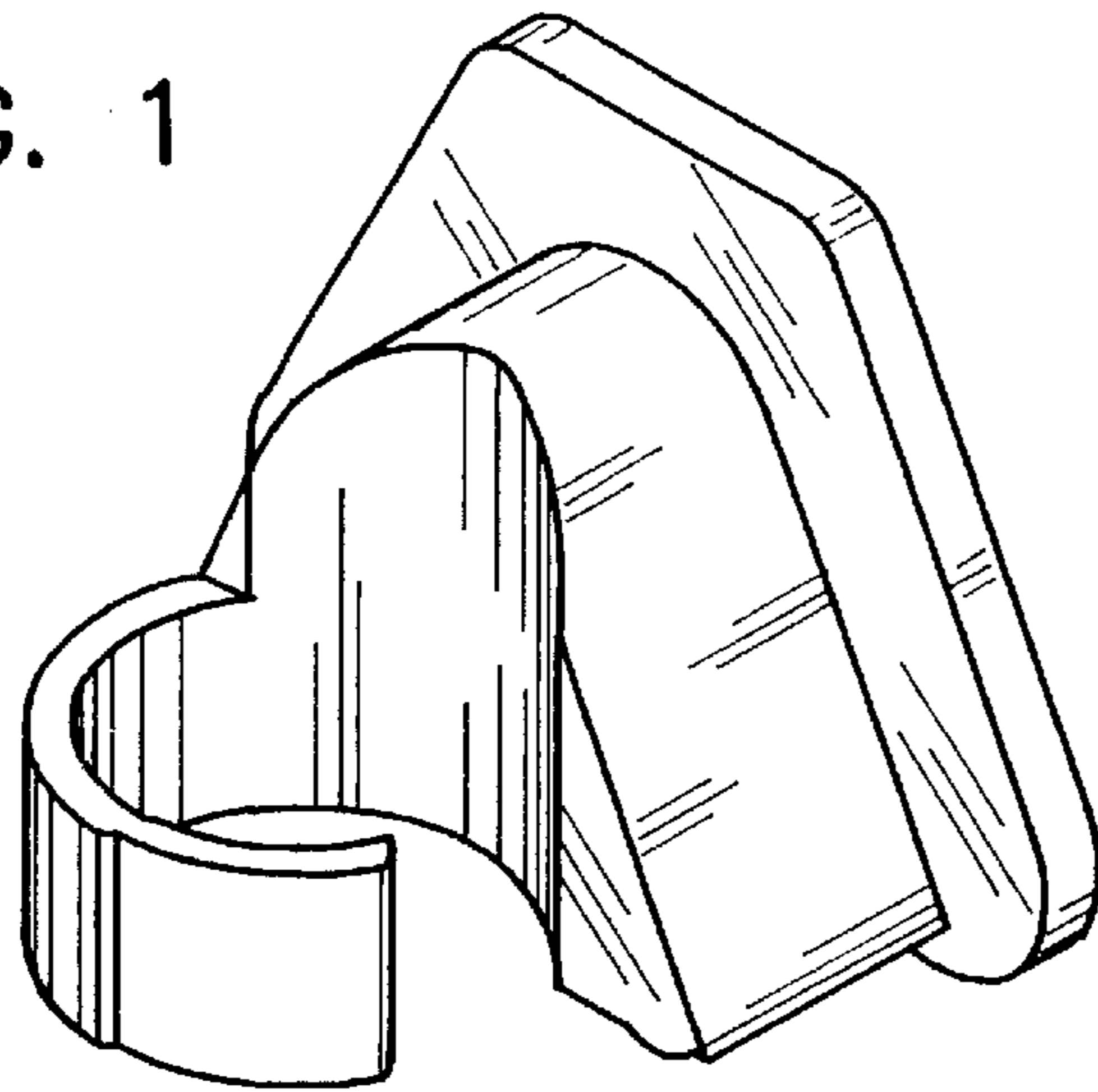


FIG. 2

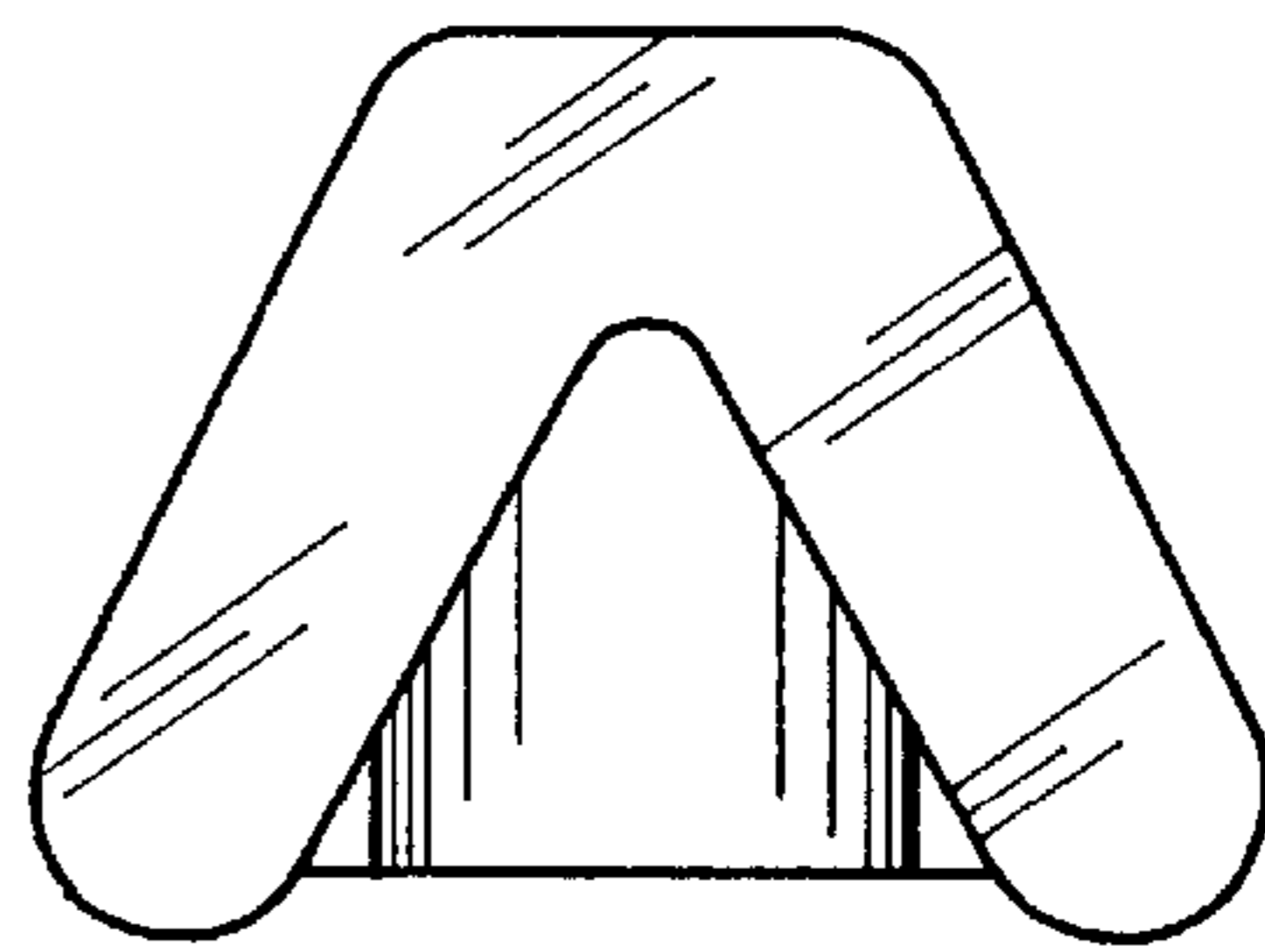


FIG. 3

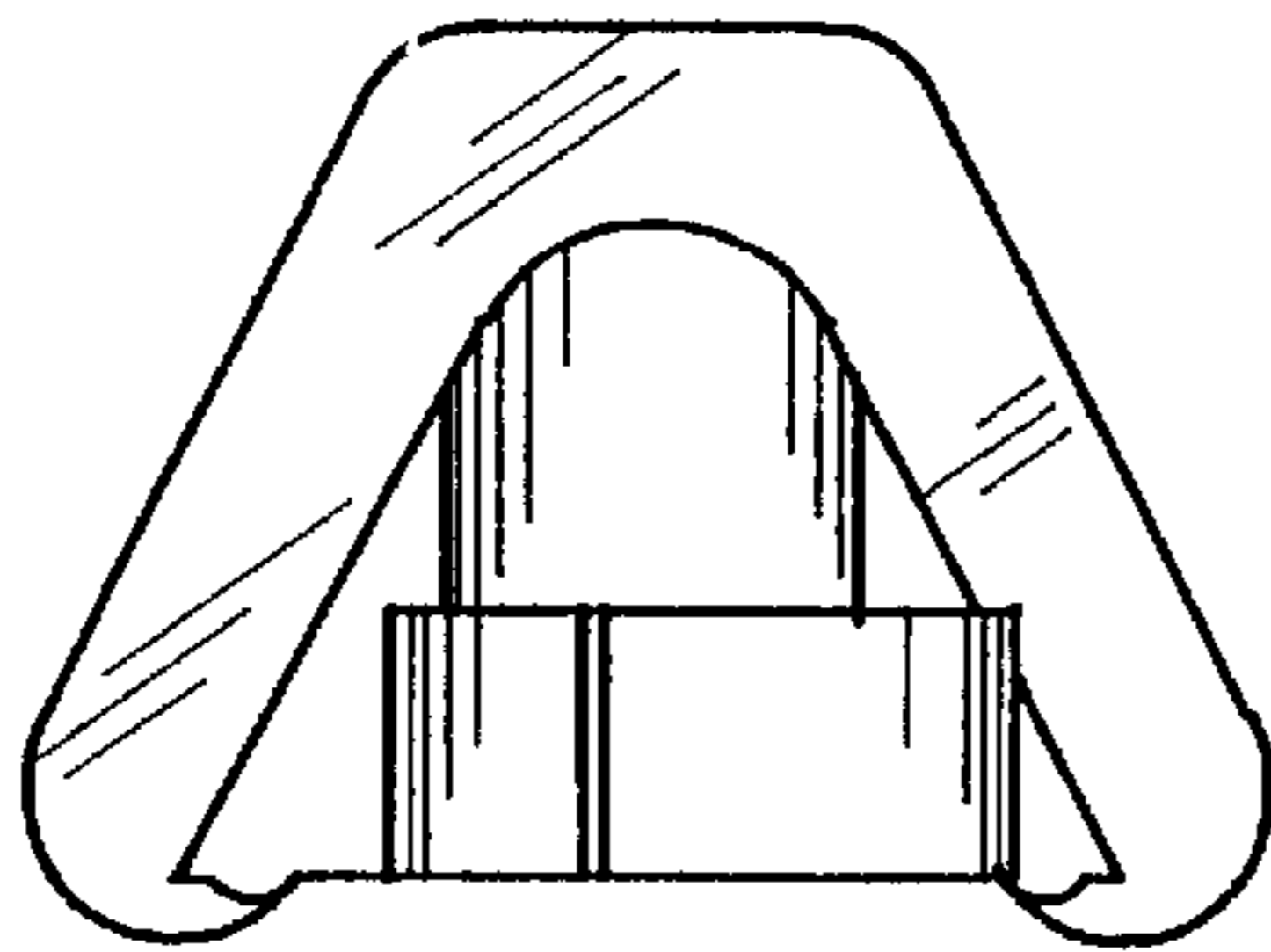


FIG. 5

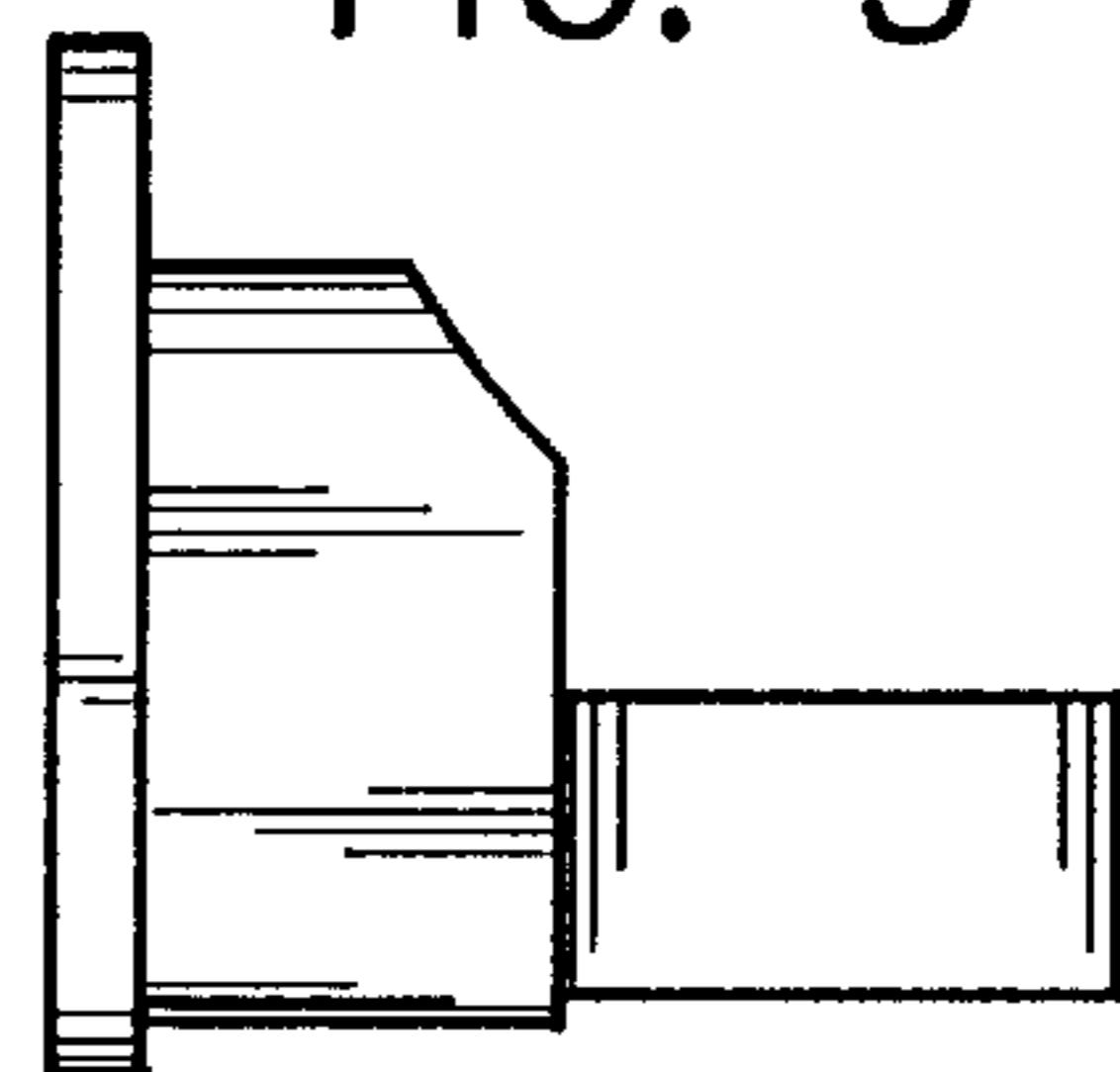


FIG. 4



FIG. 7

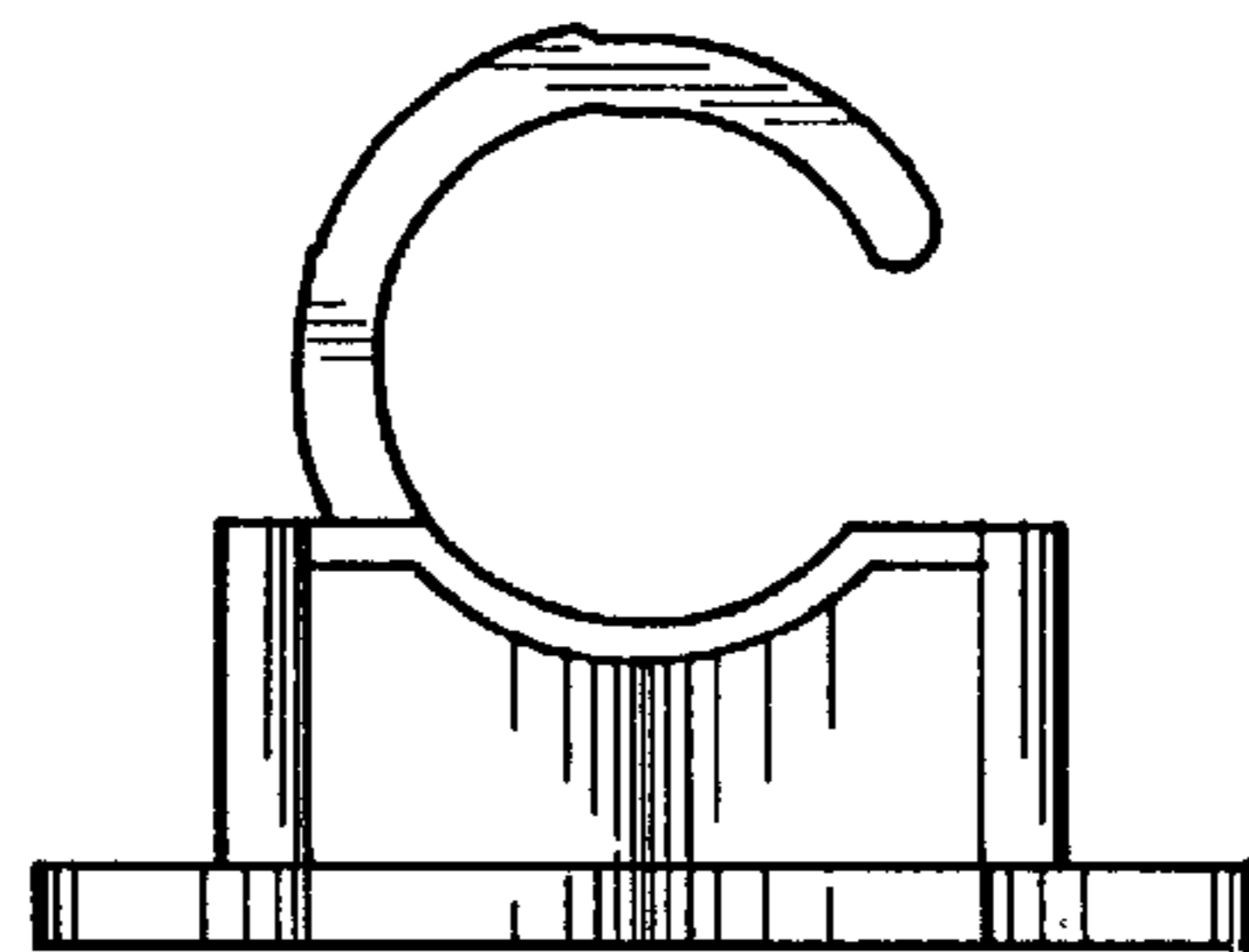


FIG. 6

