



US00D401444S

# United States Patent [19] Lin

[11] **Patent Number: Des. 401,444**

[45] **Date of Patent: \*\*Nov. 24, 1998**

[54] **JEWELRY CABINET**

[75] Inventor: **Jui-Lin Lin**, Taichung, Taiwan

[73] Assignee: **Hong-Yi Wooden Article Co., Ltd.**,  
Taichung, Taiwan

[\*\*] Term: **14 Years**

[21] Appl. No.: **65,340**

[22] Filed: **Jan. 21, 1997**

[51] **LOC (6) Cl. .... 06-04**

[52] **U.S. Cl. .... D6/446**

[58] **Field of Search .... D6/396, 432-448;**  
312/204, 257, 227; D3/903

D. 384,835 10/1997 Mohundro ..... D6/445  
D. 385,721 11/1997 Shih et al. .... D6/440  
D. 388,977 1/1998 Shih et al. .... D6/440  
D. 390,720 2/1998 Lin ..... D6/440

### OTHER PUBLICATIONS

Service Merchandise, p. 157, item 16, 1996/97.  
Best, p. 157, item 17, 1991/92.

*Primary Examiner*—Jeffrey Asch  
*Attorney, Agent, or Firm*—Skjerven Morrill MacPherson  
Franklin & Friel LLP; Thomas S. MacDonald

### [57] CLAIM

The ornamental design for jewelry cabinet, as shown and described.

### DESCRIPTION

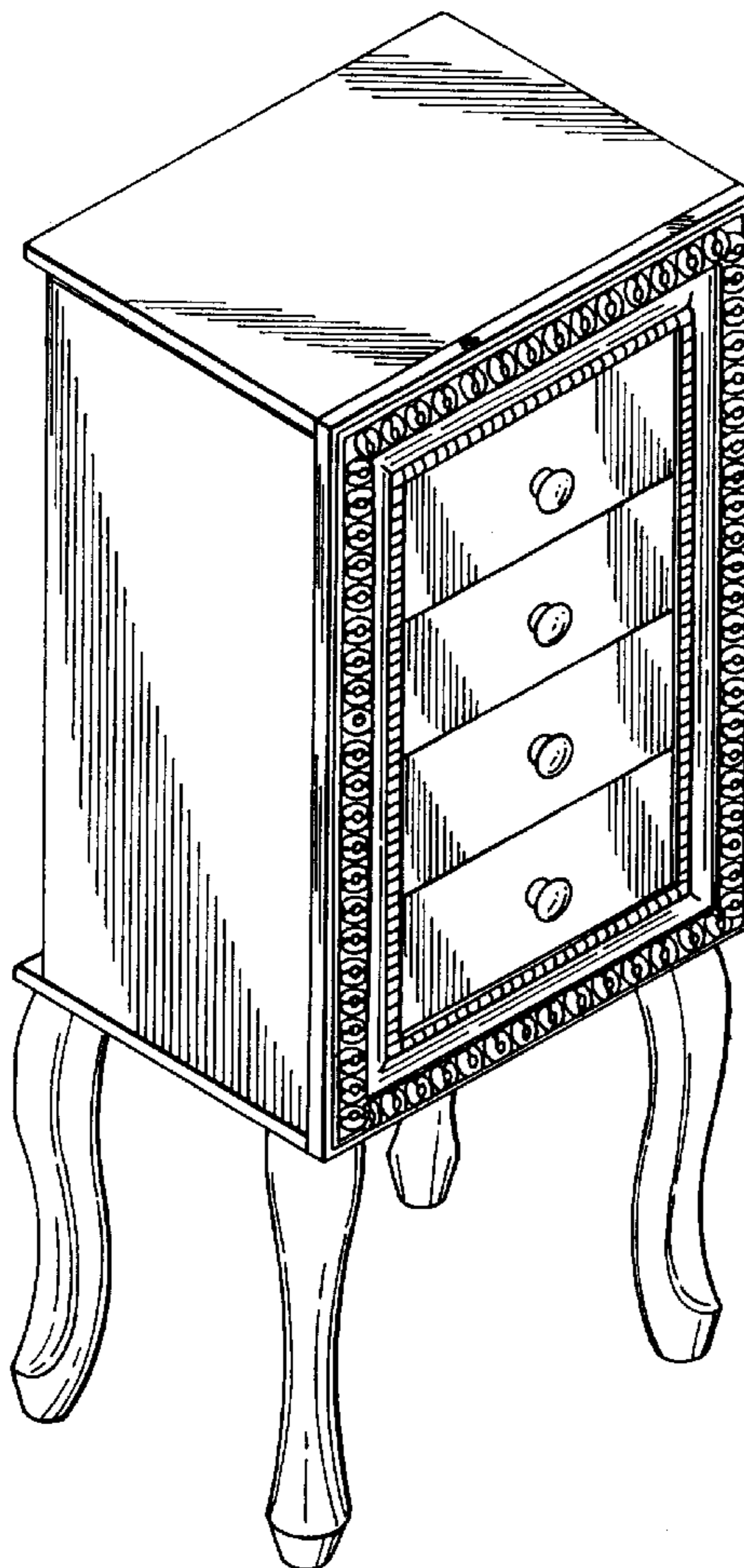
FIG. 1 is a perspective view of jewelry cabinet showing my new design;  
FIG. 2 is a front elevational view thereof;  
FIG. 3 is a rear elevational view thereof;  
FIG. 4 is a left side elevational view thereof;  
FIG. 5 is a right side elevational view thereof;  
FIG. 6 is a top plan view thereof; and,  
FIG. 7 is a bottom plan view thereof.

**1 Claim, 3 Drawing Sheets**

### [56] References Cited

#### U.S. PATENT DOCUMENTS

D. 292,760 11/1987 Worth et al. .... D6/434  
D. 306,102 2/1990 Yau Kee ..... D6/440  
D. 314,291 2/1991 Powell ..... D6/440  
D. 363,177 10/1995 Mohundro ..... D6/440  
D. 363,395 10/1995 Mohundro ..... D6/440  
D. 375,213 11/1996 Yeh ..... D6/440  
D. 380,626 7/1997 Yeh ..... D6/445  
D. 381,533 7/1997 Mohundro ..... D6/445



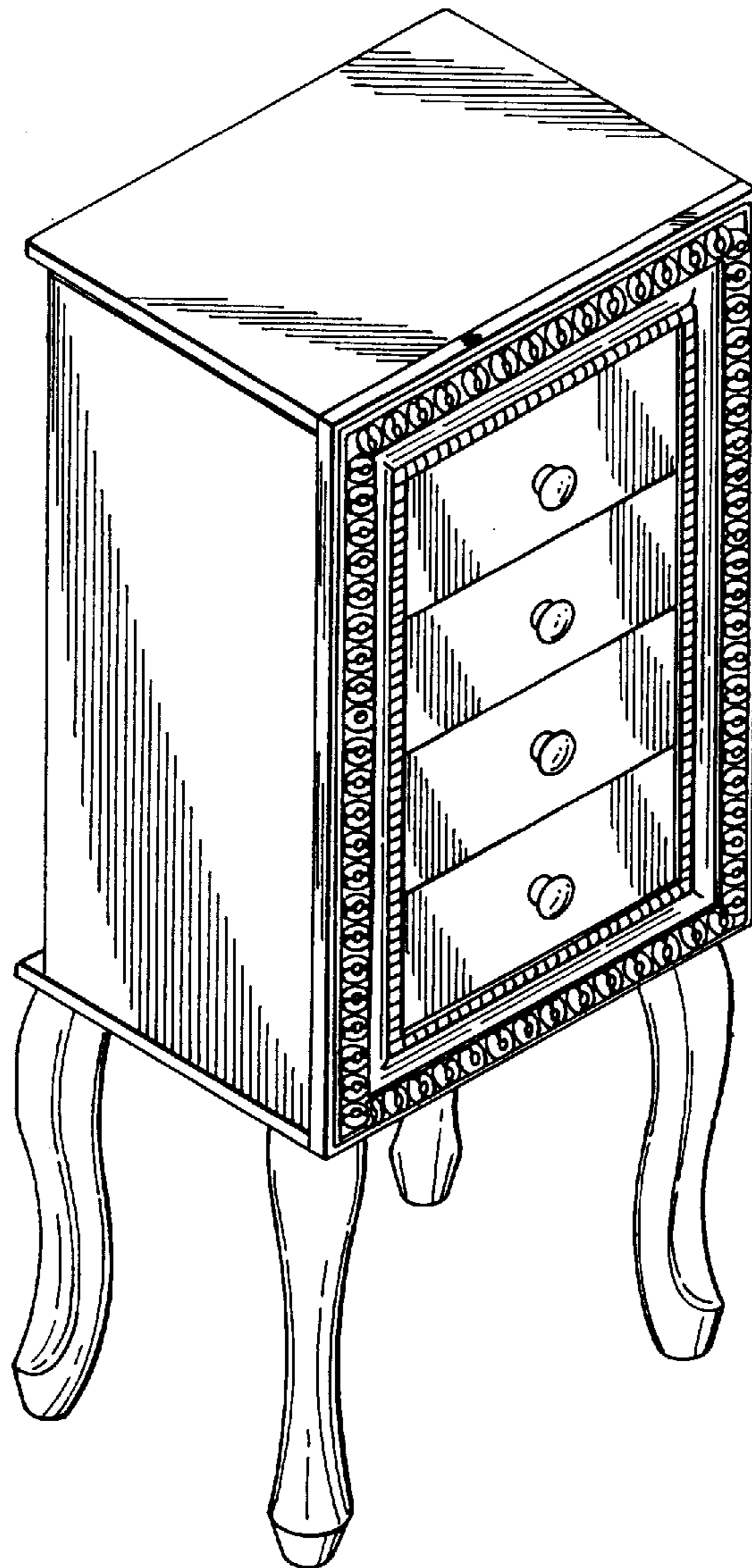


FIG. 1

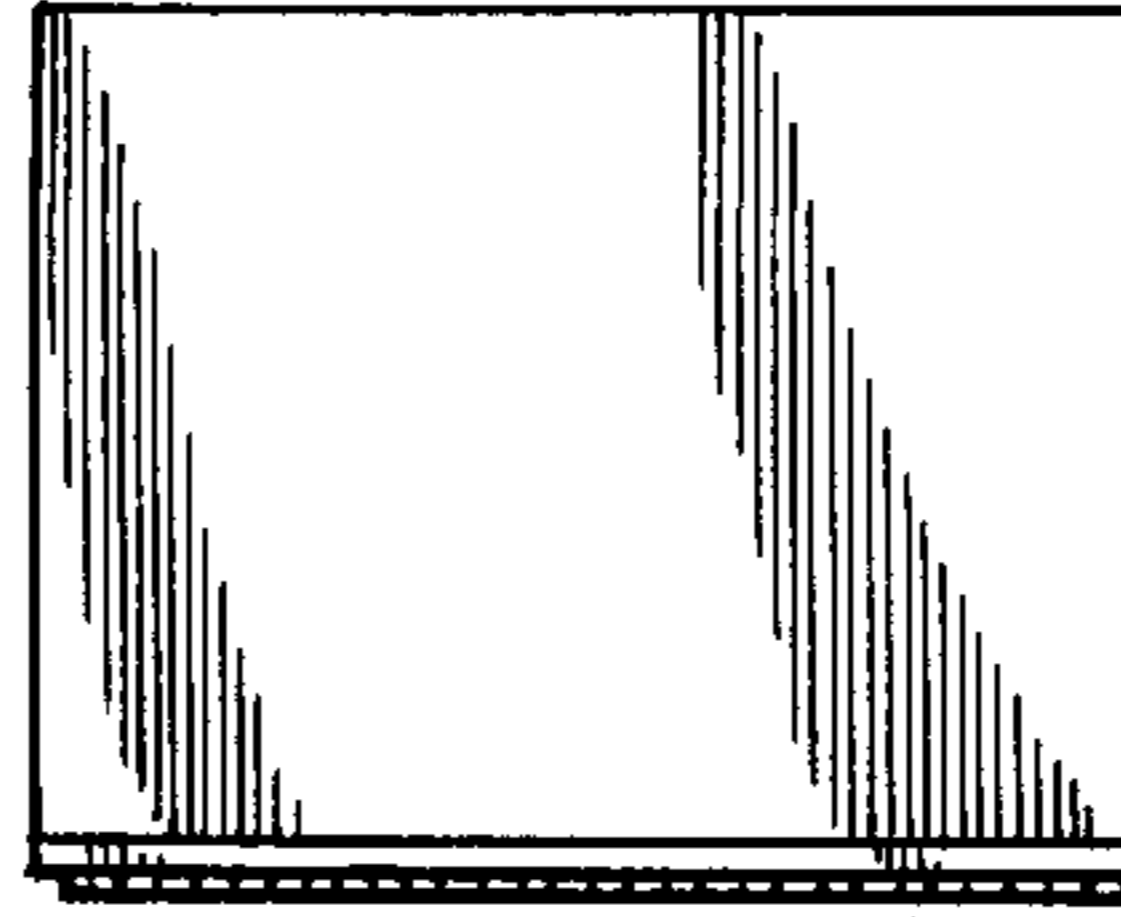


FIG. 6

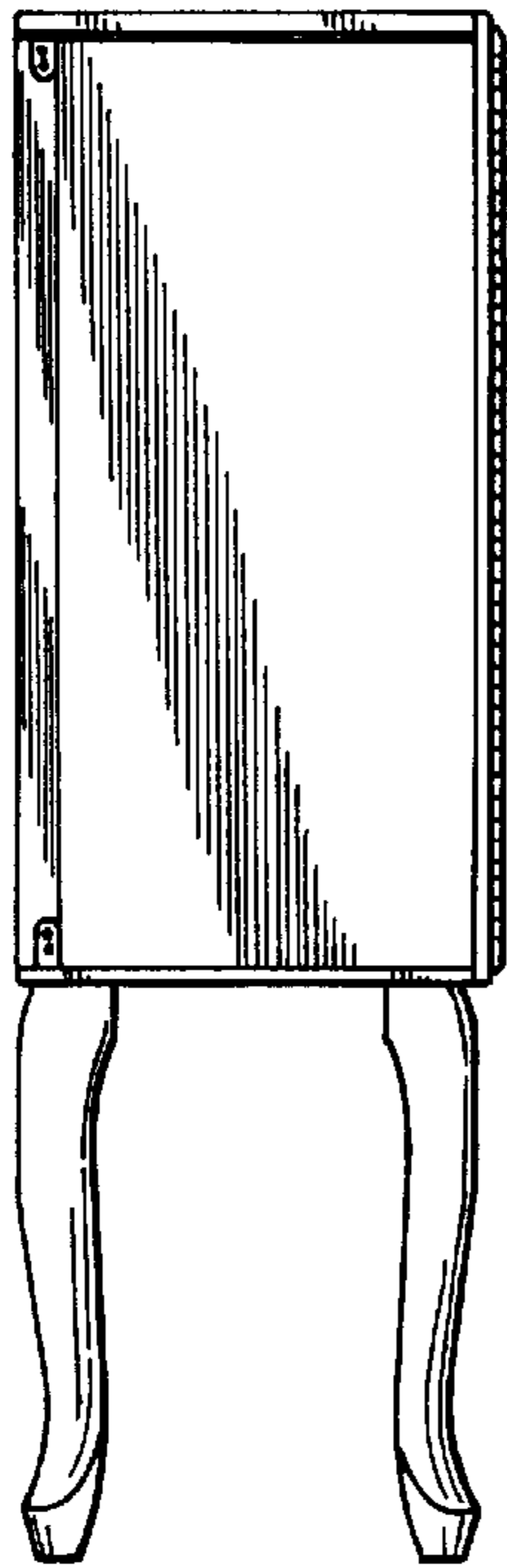


FIG. 4

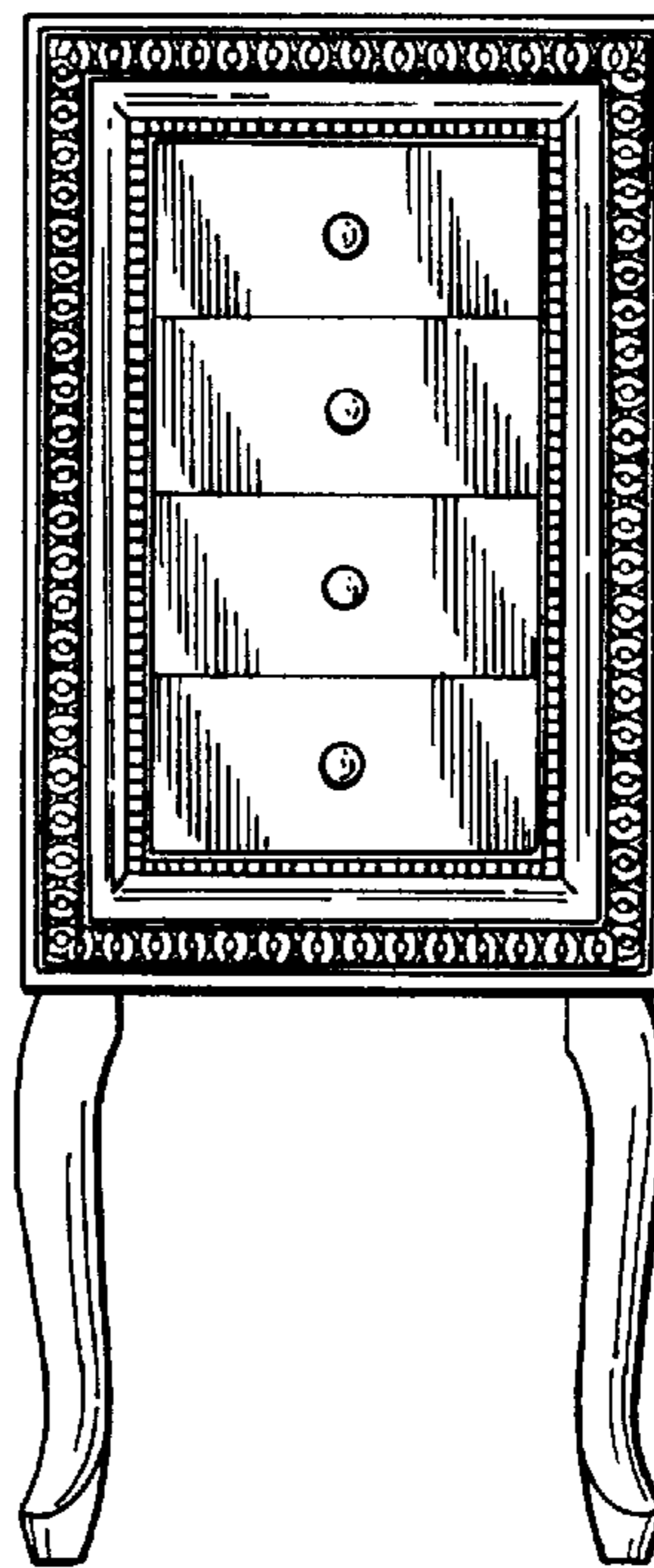


FIG. 2

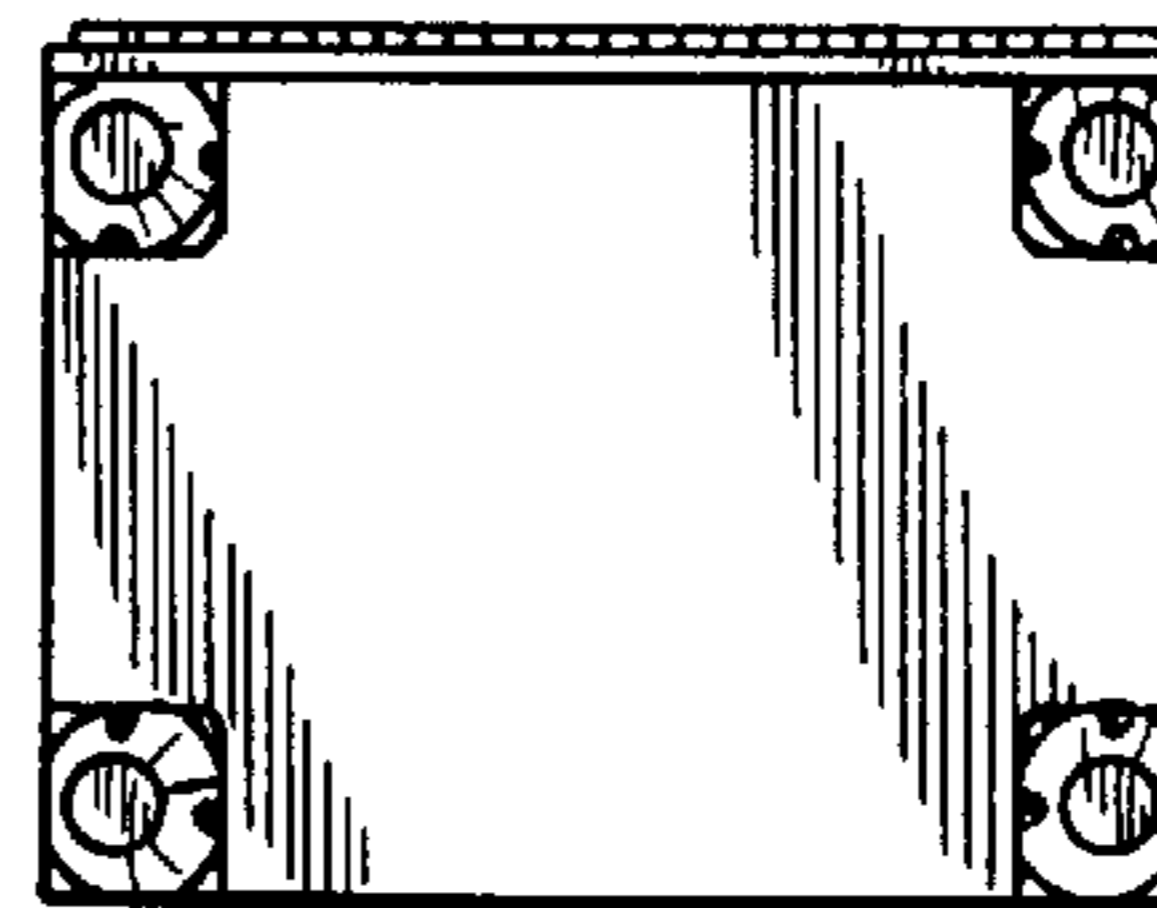


FIG. 7

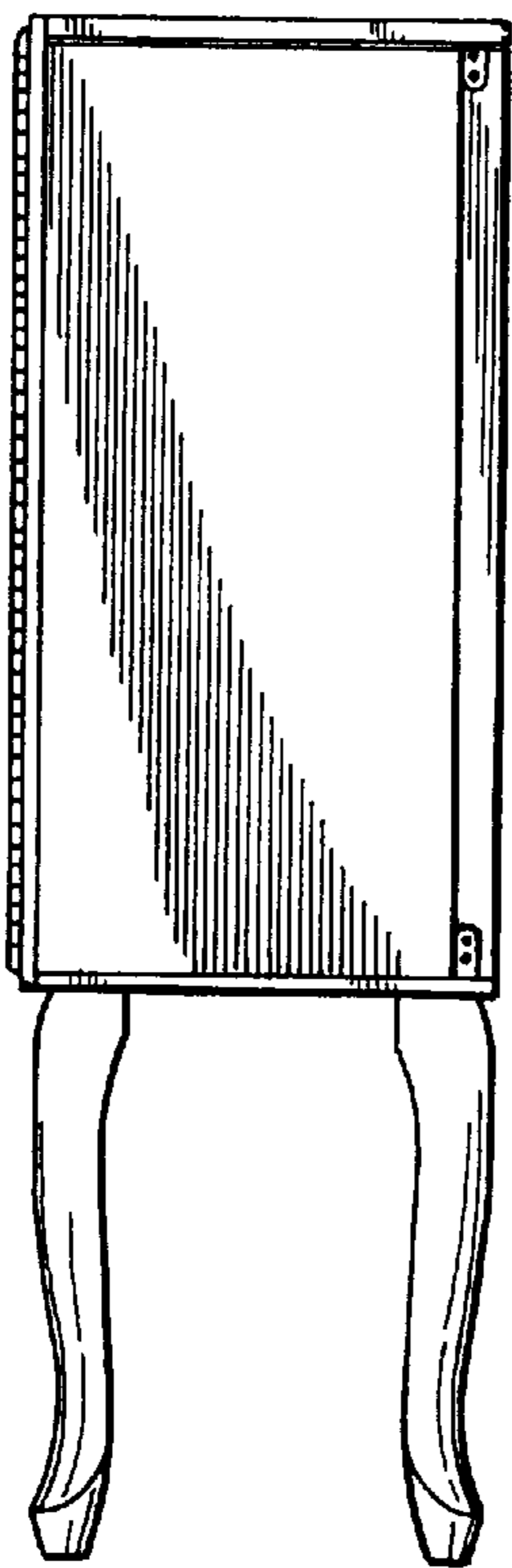


FIG. 5

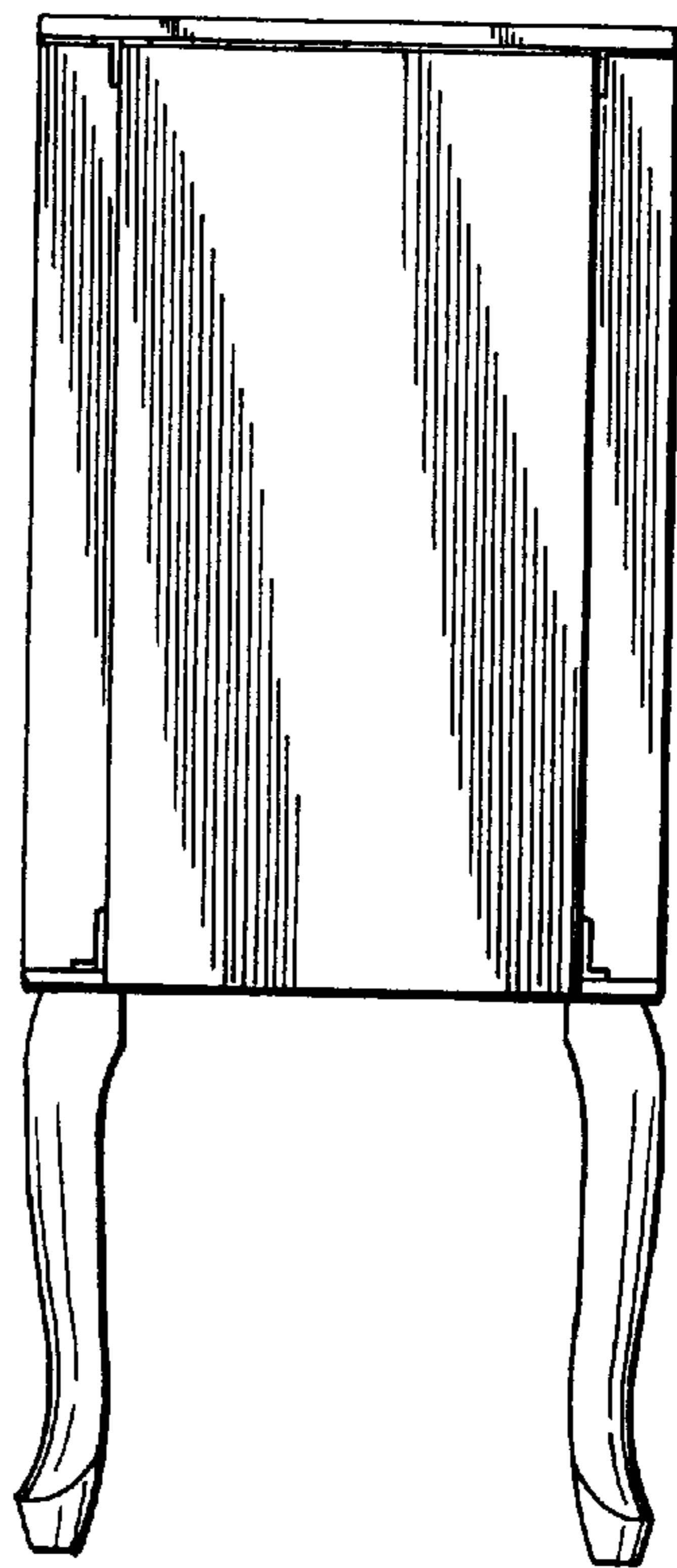


FIG. 3