



US00D401439S

United States Patent [19] Maguire, Jr. et al.

[11] **Patent Number: Des. 401,439**

[45] **Date of Patent: **Nov. 24, 1998**

[54] **WORKSTATION TABLE**

8203162 9/1982 WIPO 108/92

[75] Inventors: **Justin M. Maguire, Jr.**, Barrington, R.I.; **Anthony J. Rus**, Concord, Ohio; **George R. Hall, II**, Geneva, Ohio; **Robert F. Sapita**, Mentor, Ohio

[73] Assignee: **Elsag International N.V.**, Amsterdam, Netherlands

[**] Term: **14 Years**

[21] Appl. No.: **60,092**

[22] Filed: **Sep. 23, 1996**

[51] **LOC (6) Cl. 06-03**

[52] **U.S. Cl. D6/426**

[58] **Field of Search** D6/422, 425-428; 312/194-197, 223.2, 223.3; 108/64, 92, 149, 59, 152, 60, 50, 150

[56] **References Cited**

U.S. PATENT DOCUMENTS

| | | | | |
|------------|---------|------------------|-------|-------------|
| D. 295,810 | 5/1988 | Saporiti | | D6/422 |
| D. 334,489 | 4/1993 | Greutmann et al. | | D6/426 X |
| D. 335,782 | 5/1993 | Lechman et al. | | D6/422 |
| D. 365,463 | 12/1995 | Kinnuner | | D6/422 |
| D. 372,226 | 7/1996 | Maguire, Jr. | | D14/103 |
| 4,755,009 | 7/1988 | Price et al. | | 312/194 |
| 5,403,082 | 4/1995 | Kramer | | 312/223.3 X |
| 5,416,666 | 5/1995 | Maguire, Jr. | | 361/681 |
| 5,678,907 | 10/1997 | Schainholz | | 312/196 X |

FOREIGN PATENT DOCUMENTS

| | | | | |
|--------|---------|--------------------|-------|-----------|
| 256160 | 2/1988 | European Pat. Off. | | 312/223.3 |
| 663605 | 12/1951 | United Kingdom | | 312/194 |

OTHER PUBLICATIONS

B.A. Bargh Catalog, Adjustable Foot Rest #2016BRROP, p. 78, 1985/1986 Fall/Winter.

Contronic S-Operation Evolution in Process Control Hartmann & Braun.

Signature Series Workstations IS12/IS42 Specification C-E96-160A 1996, Elsag Bailey Process Automation.

Primary Examiner—James Gandy

Assistant Examiner—Linda Brooks

Attorney, Agent, or Firm—Michael M. Rickin

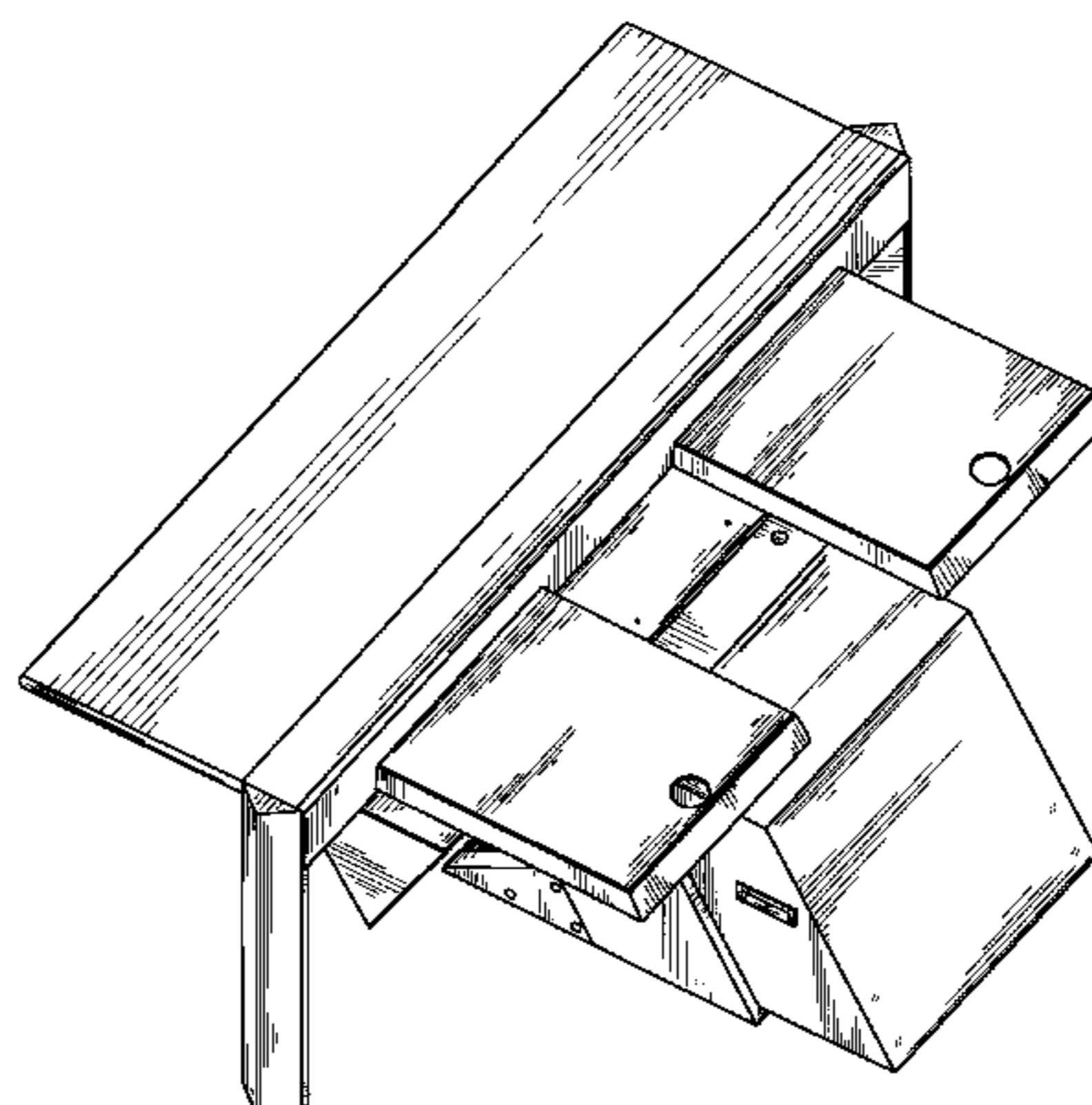
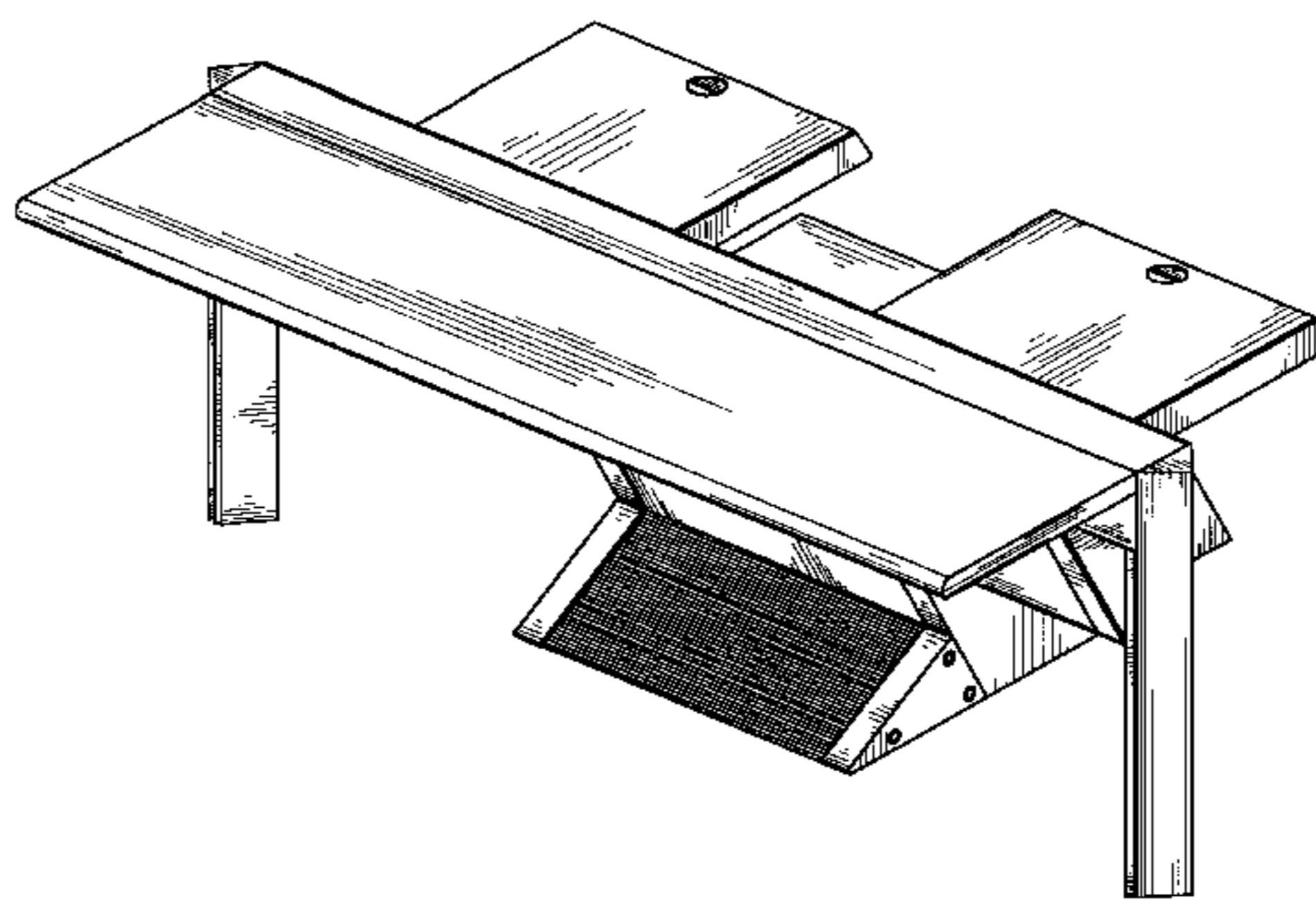
[57] **CLAIM**

The ornamental design for a workstation table, as shown and described.

DESCRIPTION

FIG. 1 is a top, front and right side perspective view of the workstation table showing our new design; FIG. 2 is an enlarged front and top perspective view thereof; FIG. 3 is a rear, top and left side perspective view thereof; FIG. 4 is a rear, top and right side perspective view thereof; FIG. 5 is a greatly enlarged front elevation view thereof; FIG. 6 is a top plan view of FIG. 5; and, FIG. 7 is a left side elevation view of FIG. 5, the right side being a mirror image thereof; and, FIG. 8 is a left side elevation view of a second embodiment of FIG. 1, the right side being a mirror image, the only difference being the shorter rear cover, it being understood that all the other surfaces are the same as the first embodiment shown in FIGS. 1-7.

1 Claim, 5 Drawing Sheets



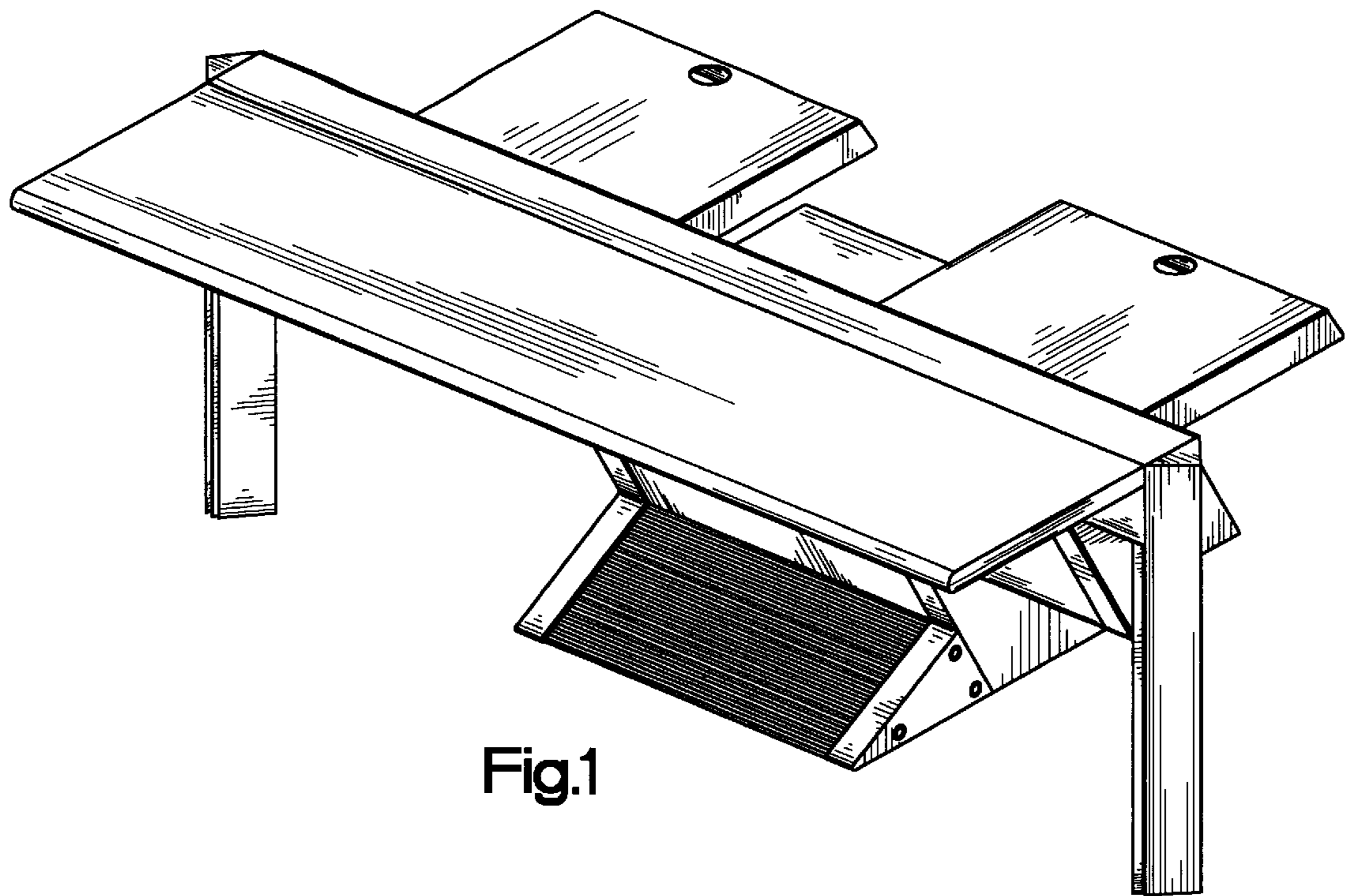


Fig.1

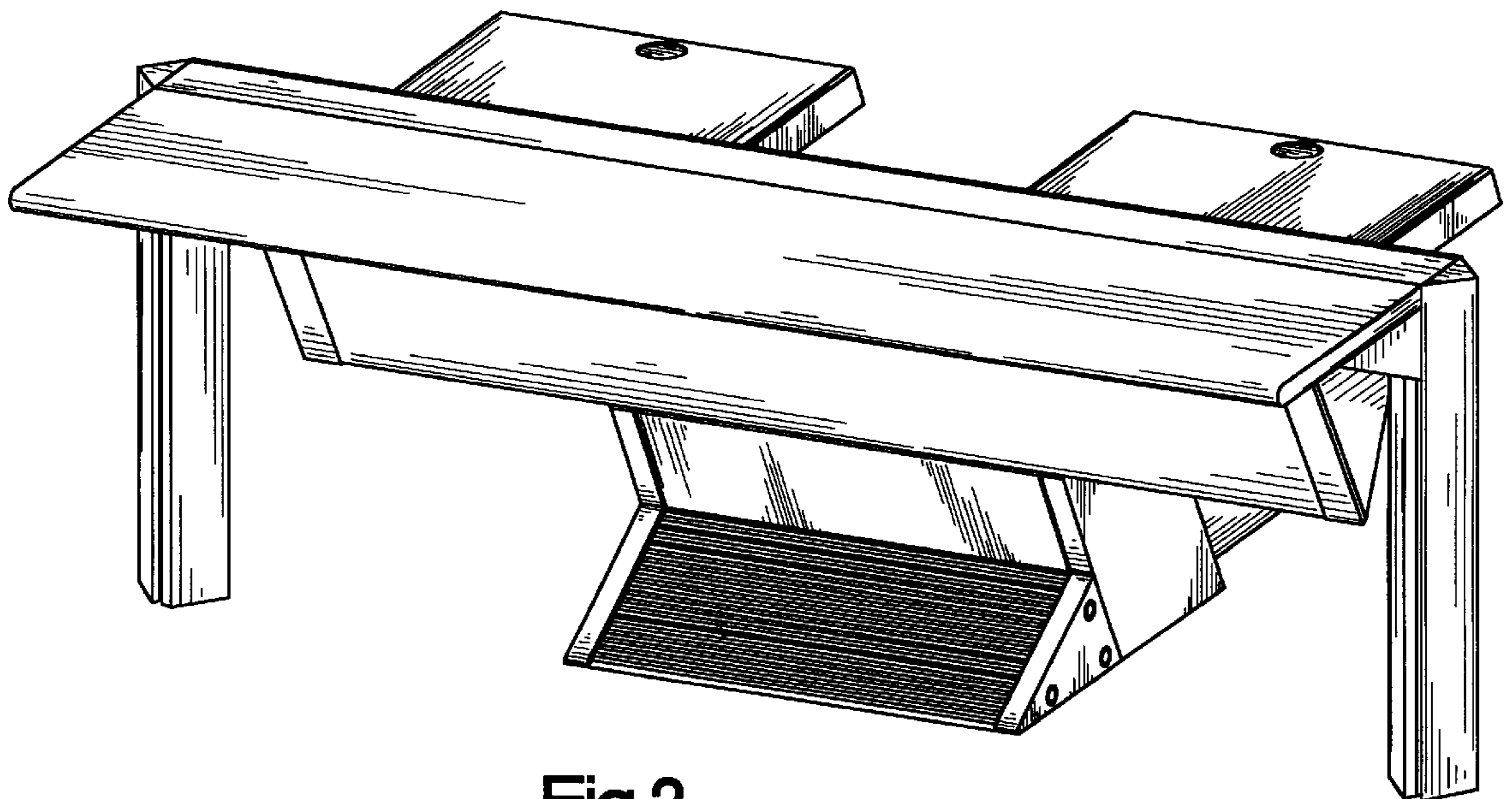
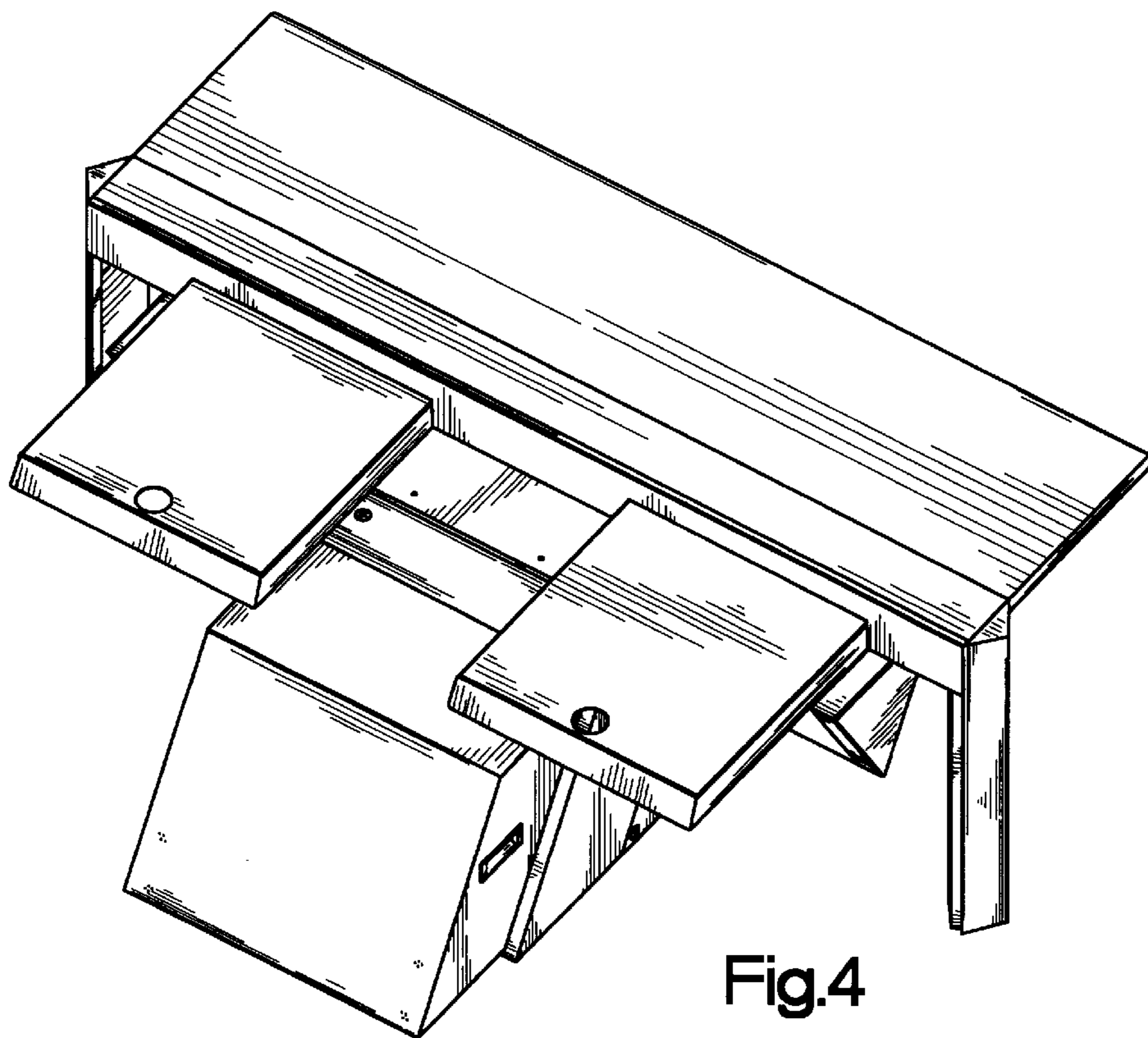
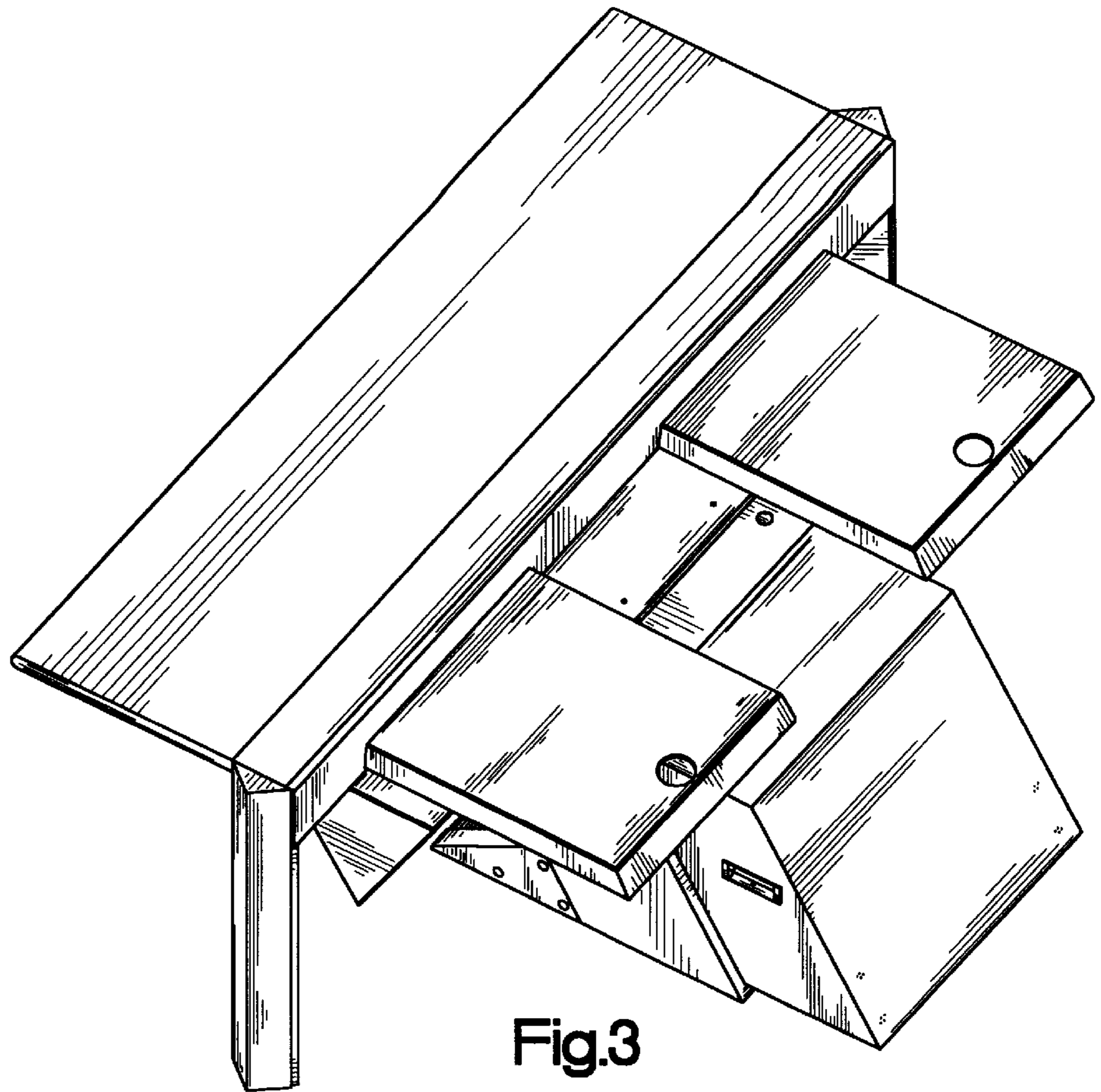


Fig.2



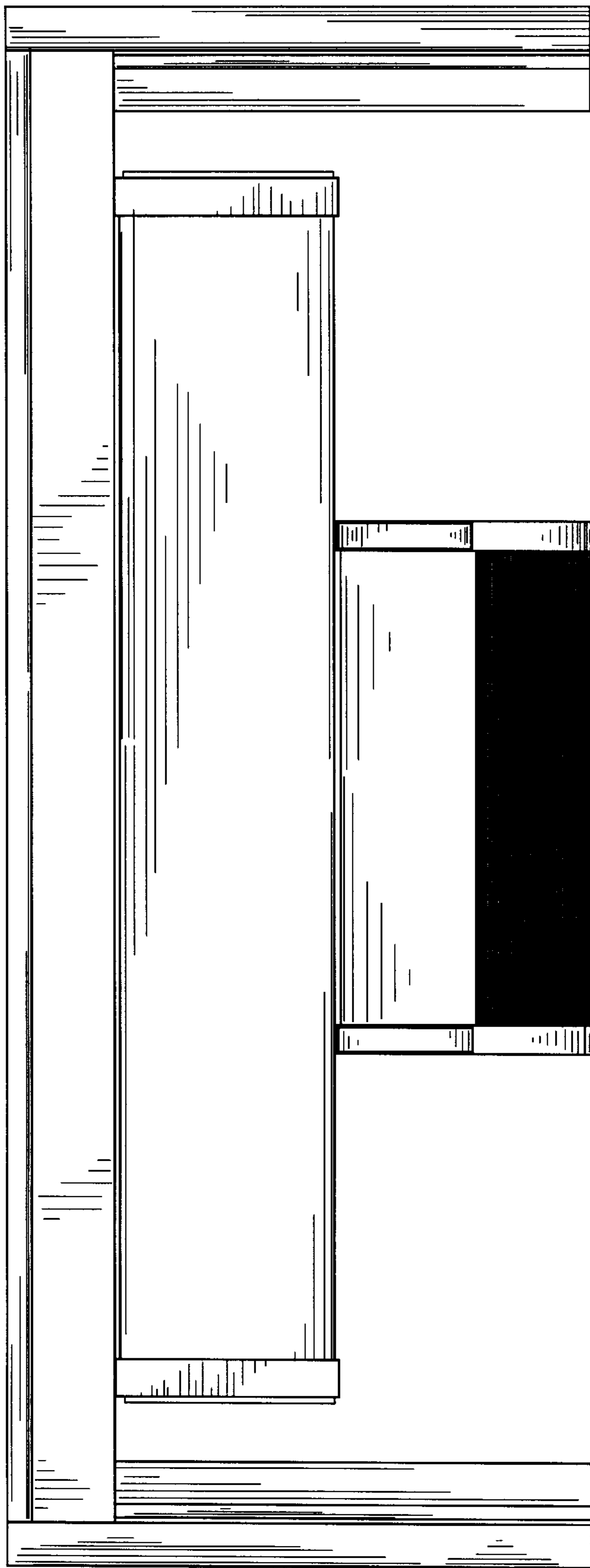


Fig.5



Fig.6

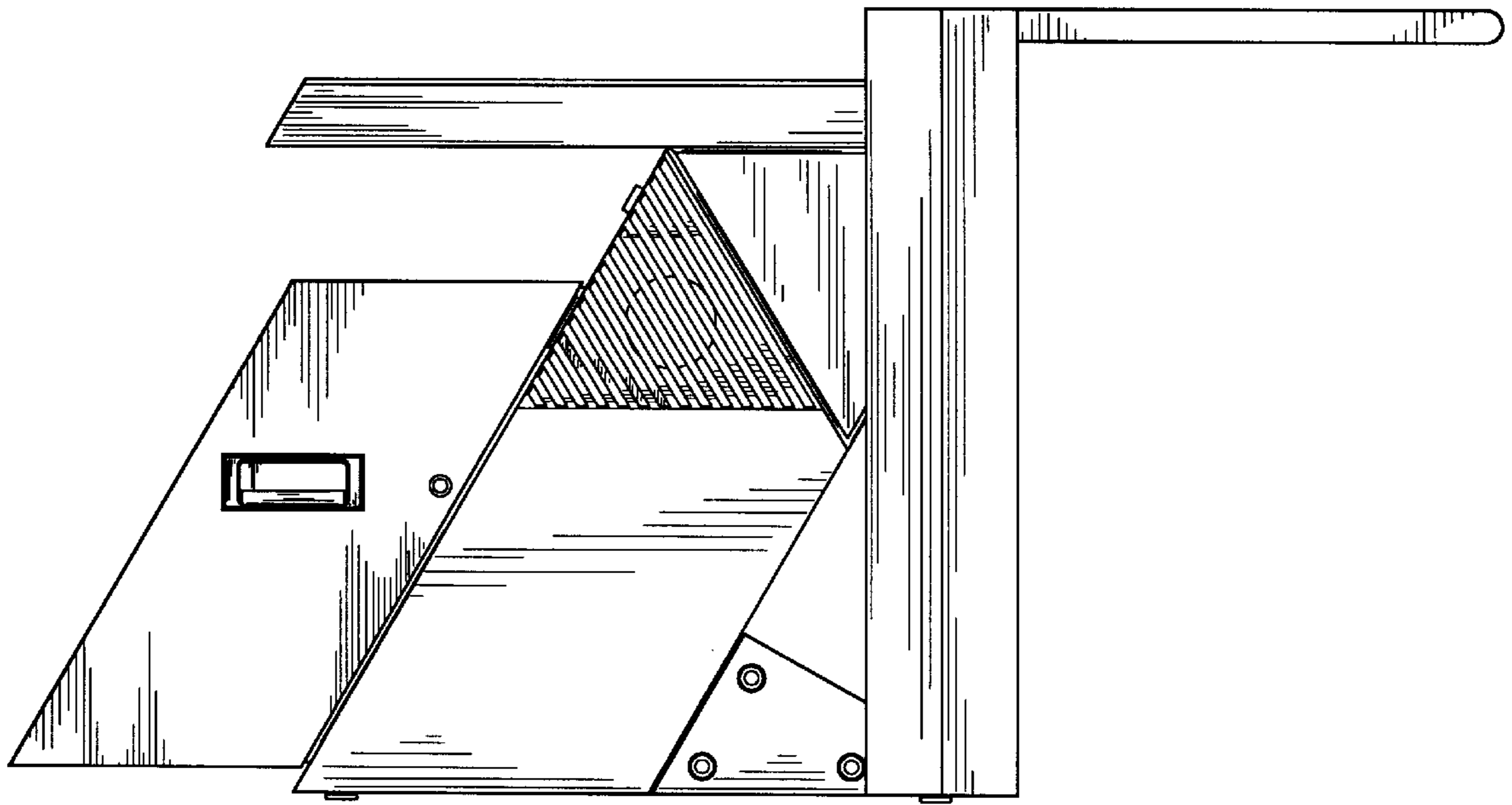


Fig.7

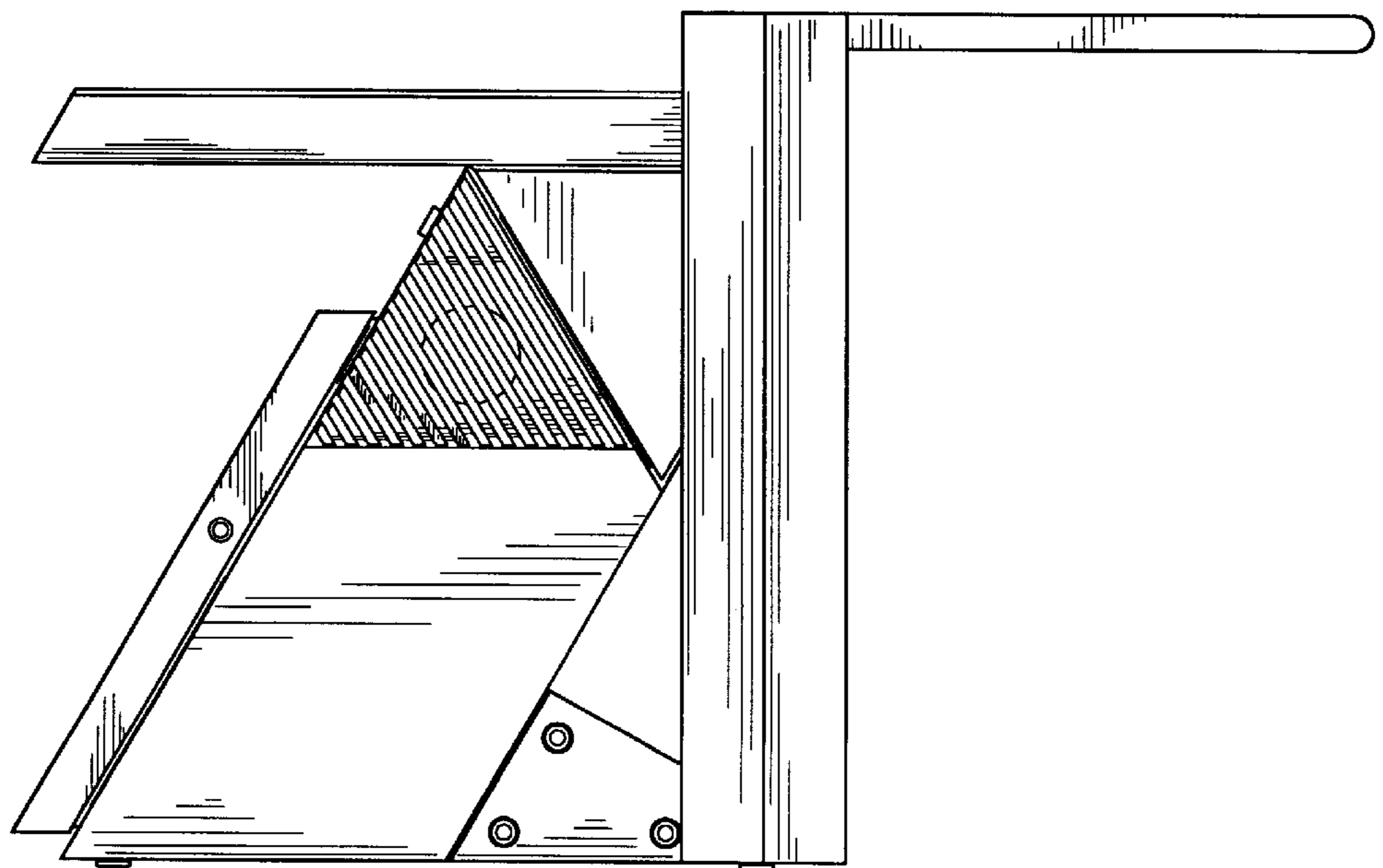


Fig.8