

US00D401436S

United States Patent [19] Jay

[11] Patent Number: **Des. 401,436**

[45] Date of Patent: ****Nov. 24, 1998**

[54] **DISPLAY RACK**

[75] Inventor: **Richard Jay**, Westport, Conn.

[73] Assignee: **Display Technologies, Inc.**, Whitestone, N.Y.

[**] Term: **14 Years**

[21] Appl. No.: **58,137**

[22] Filed: **Aug. 8, 1996**

[51] **LOC (6) Cl.** **06-04**

[52] **U.S. Cl.** **D6/408**

[58] **Field of Search** D6/408, 510, 462, D6/466, 515, 467, 468, 509; 211/134, 153, 182, 189, 181, 59.2, 49.1; 312/42, 72, 45

[56] **References Cited**

U.S. PATENT DOCUMENTS

D. 317,382	6/1991	Polvere .	
D. 347,928	6/1994	Treraskis	D6/515
D. 354,181	1/1995	Smith et al.	D6/408
3,484,226	12/1969	Golightly .	
3,905,484	9/1975	Dean et al. .	
4,228,903	10/1980	Eckert	211/59.2
4,356,923	11/1982	Young et al.	211/59.2
4,395,955	8/1983	Pfeifer .	
4,460,096	7/1984	Ricci .	
4,488,653	12/1984	Belokin .	
4,618,063	10/1986	Mendenhall .	
4,712,694	12/1987	Breslow .	
4,724,968	2/1988	Wombacher .	
4,763,796	8/1988	Flum .	
4,801,025	1/1989	Flum et al. .	
4,898,282	2/1990	Hawkinson et al.	211/49.1
4,942,967	7/1990	Schneider .	
4,942,968	7/1990	Fast .	
4,960,210	10/1990	Spamer .	
4,997,094	3/1991	Spamer et al.	211/59.2
5,024,336	6/1991	Spamer .	
5,050,748	9/1991	Taub .	
5,076,443	12/1991	Trulaske, Sr. .	
5,154,299	10/1992	Hwang .	
5,205,421	4/1993	Bustos .	

5,232,102	8/1993	Ozawa .	
5,265,738	11/1993	Yablans et al. .	
5,351,838	10/1994	Flum .	
5,396,997	3/1995	Johnson	211/59.2
5,417,333	5/1995	Flum .	
5,458,248	10/1995	Alain .	

Primary Examiner—James Gandy
Assistant Examiner—Linda Brooks
Attorney, Agent, or Firm—Amster, Rothstein & Ebenstein

[57] **CLAIM**

The ornamental design for a display rack, as shown and described.

DESCRIPTION

FIG. 1 is a top plan view of a display rack showing my new design;
 FIG. 2 is a bottom plan view thereof;
 FIG. 3 is a side elevational view thereof, taken from the left side;
 FIG. 4A is an enlarged fragmentary isometric view thereof of the top left side at the front end;
 FIG. 4B is an enlarged fragmentary isometric view thereof of the top left side at the center portion;
 FIG. 4C is an enlarged fragmentary isometric view thereof of the top left side at the rear end;
 FIG. 5A is an enlarged fragmentary isometric view thereof of the bottom right side at the front end;
 FIG. 5B is an enlarged fragmentary isometric view thereof of the bottom right side at the center portion;
 FIG. 5C is an enlarged fragmentary isometric view thereof of the bottom right side at the rear end;
 FIG. 6A is an enlarged fragmentary top plan view of the front end;
 FIG. 6B is an enlarged fragmentary top plan view of the center portion;
 FIG. 6C is an enlarged fragmentary top plan view of the rear end;
 FIG. 7A is a bottom plan view of FIG. 6A.
 FIG. 7B is a bottom plan view of FIG. 6B; and,
 FIG. 7C is a bottom plan view of FIG. 6C.

1 Claim, 13 Drawing Sheets

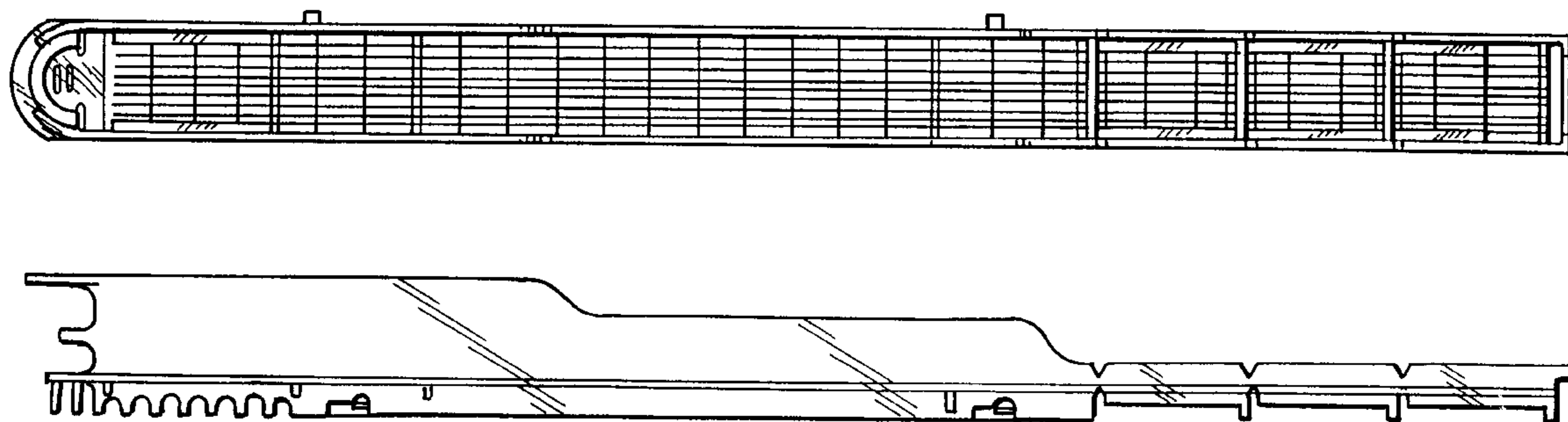


FIG. 1

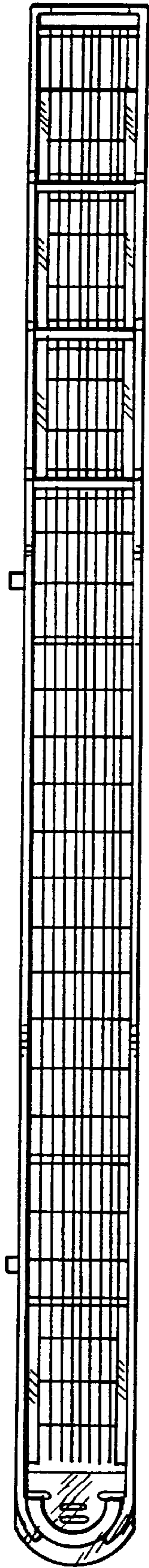


FIG. 2

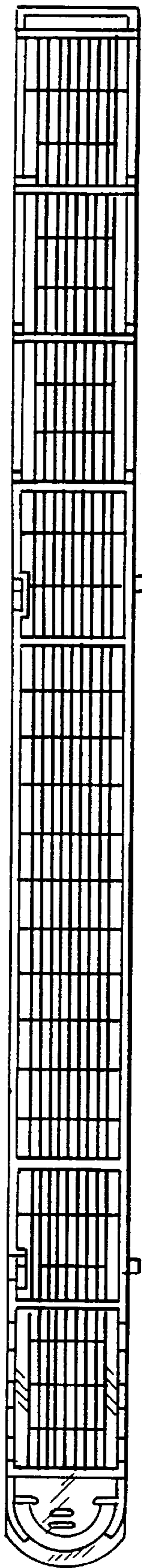
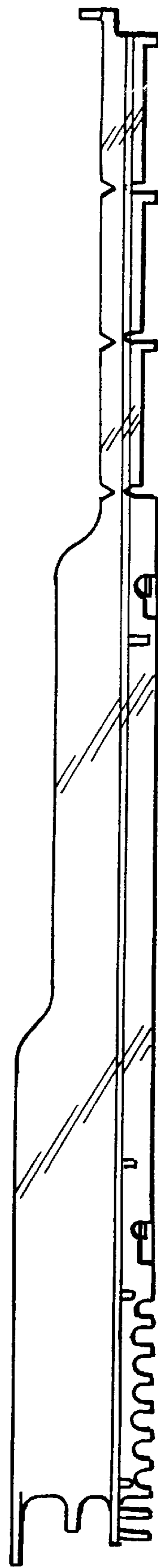


FIG. 3



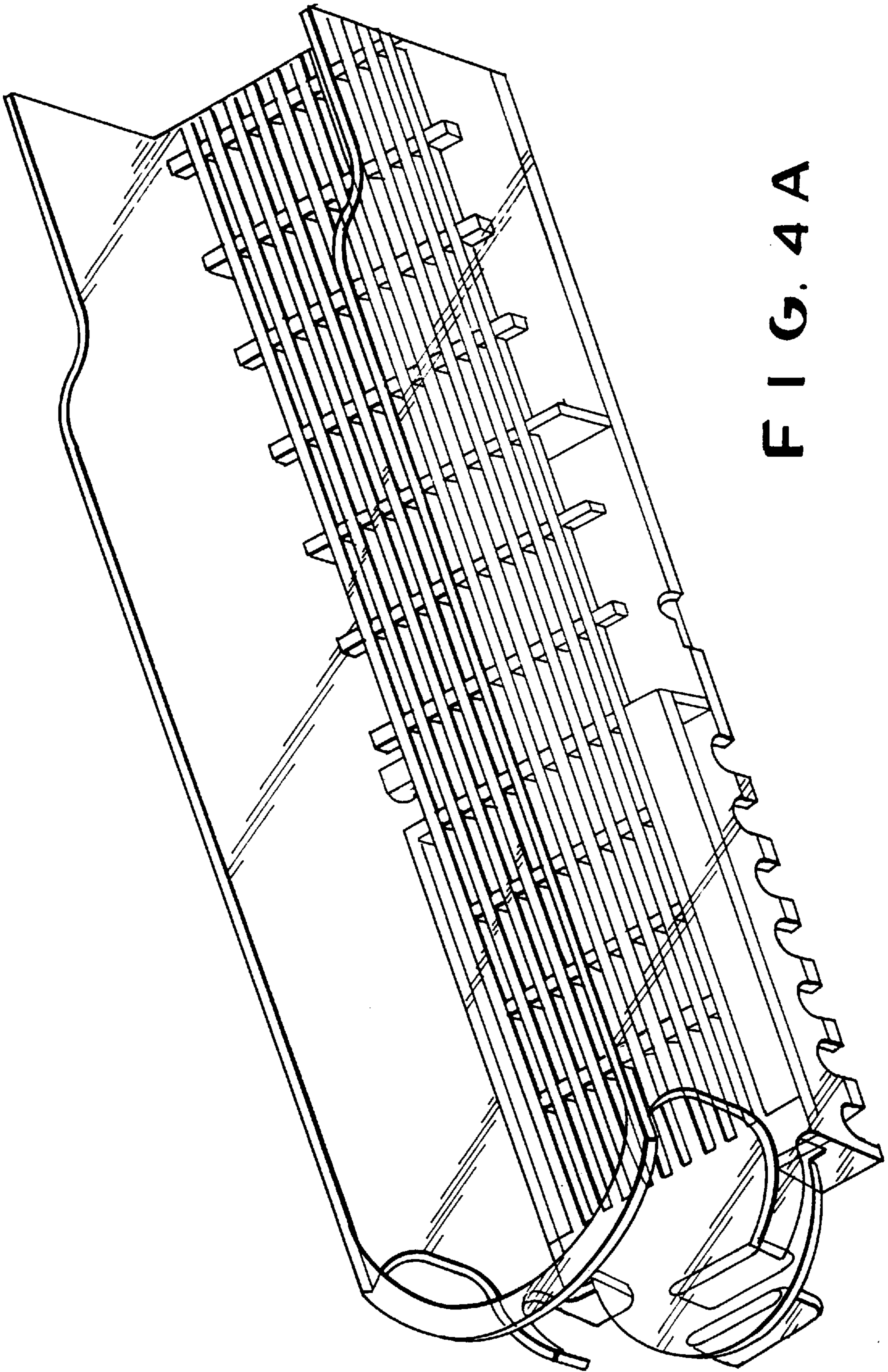


FIG. 4A

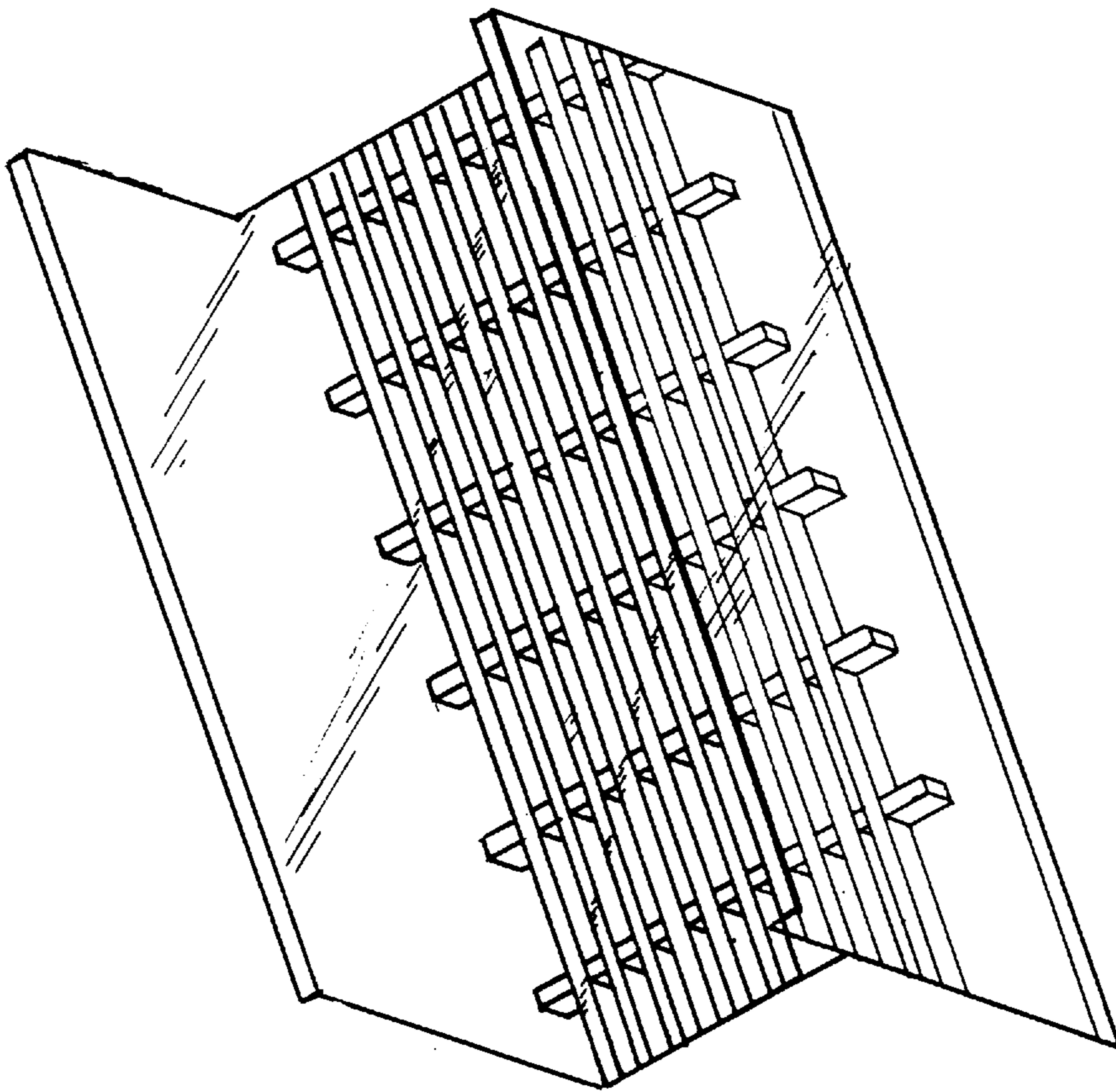


FIG. 4B

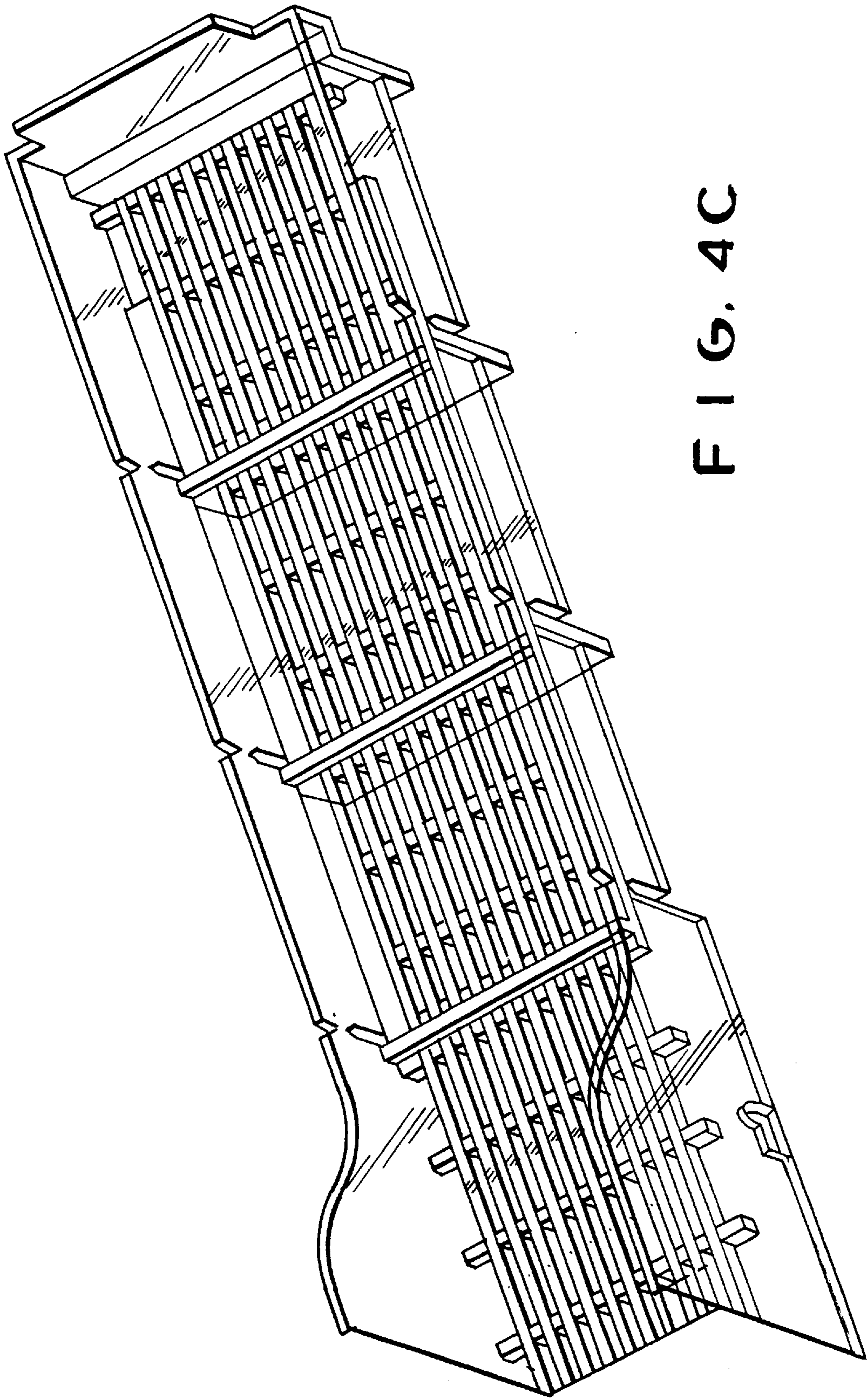


FIG. 4C

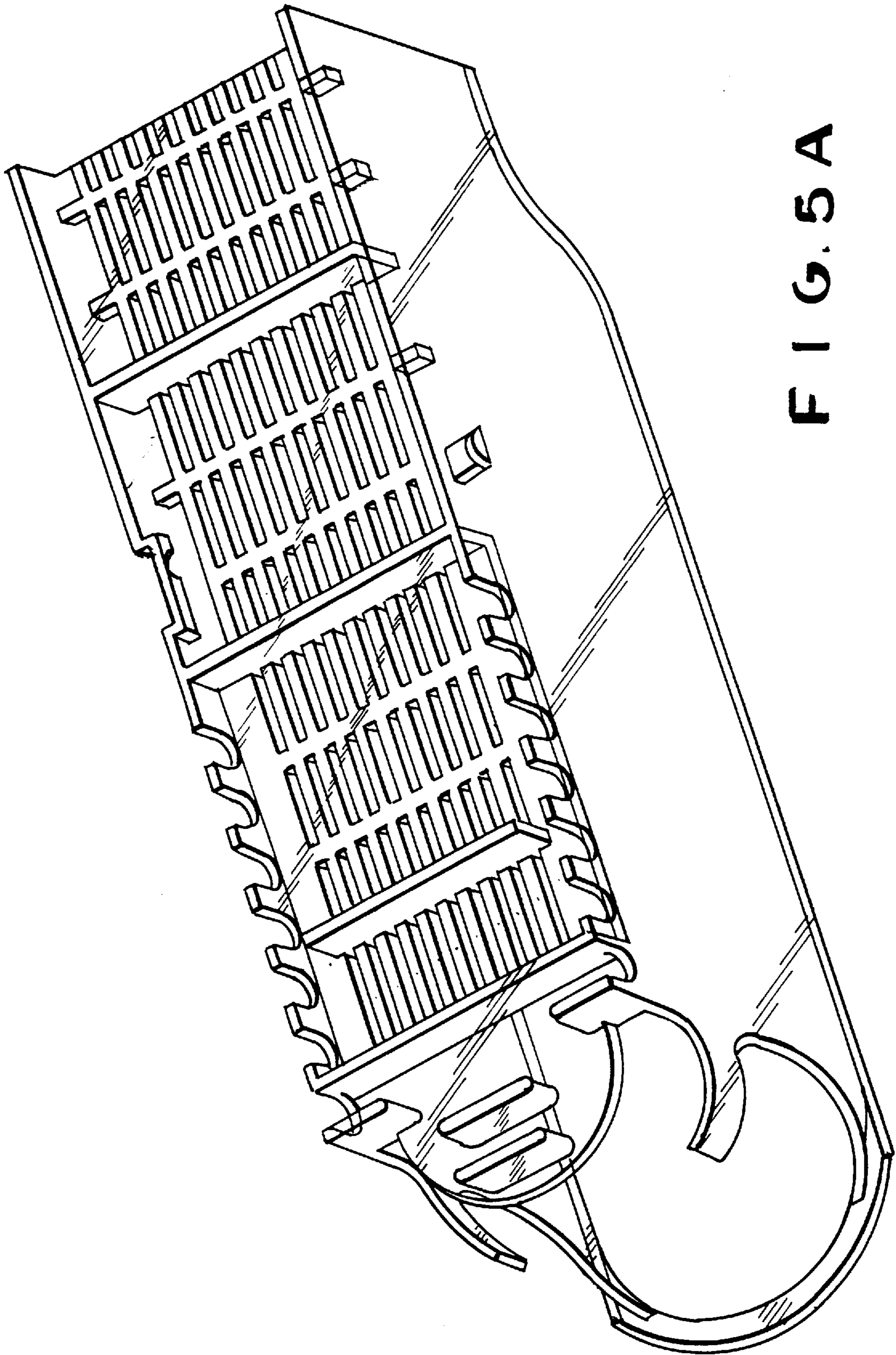


FIG. 5A

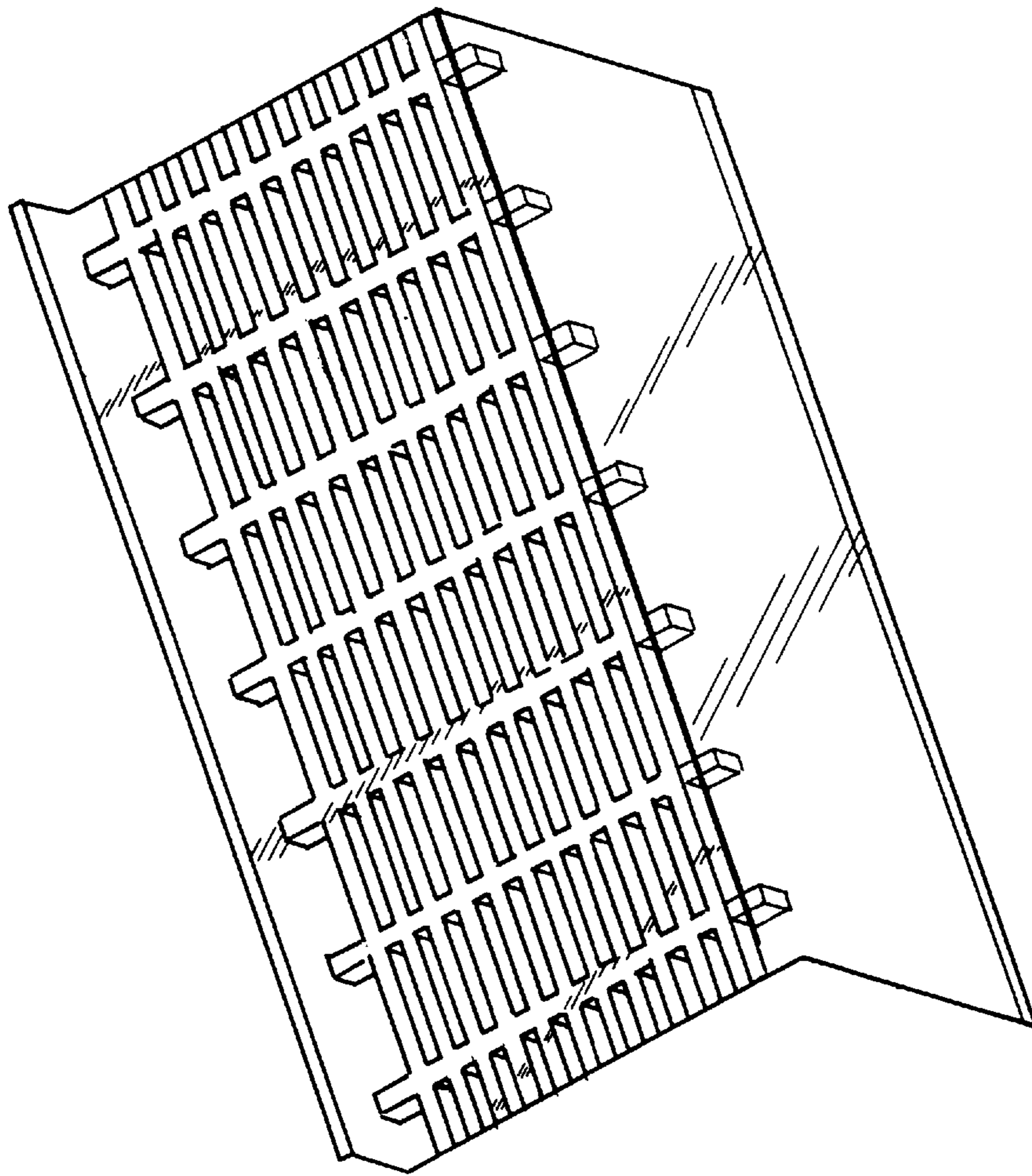


FIG. 5B

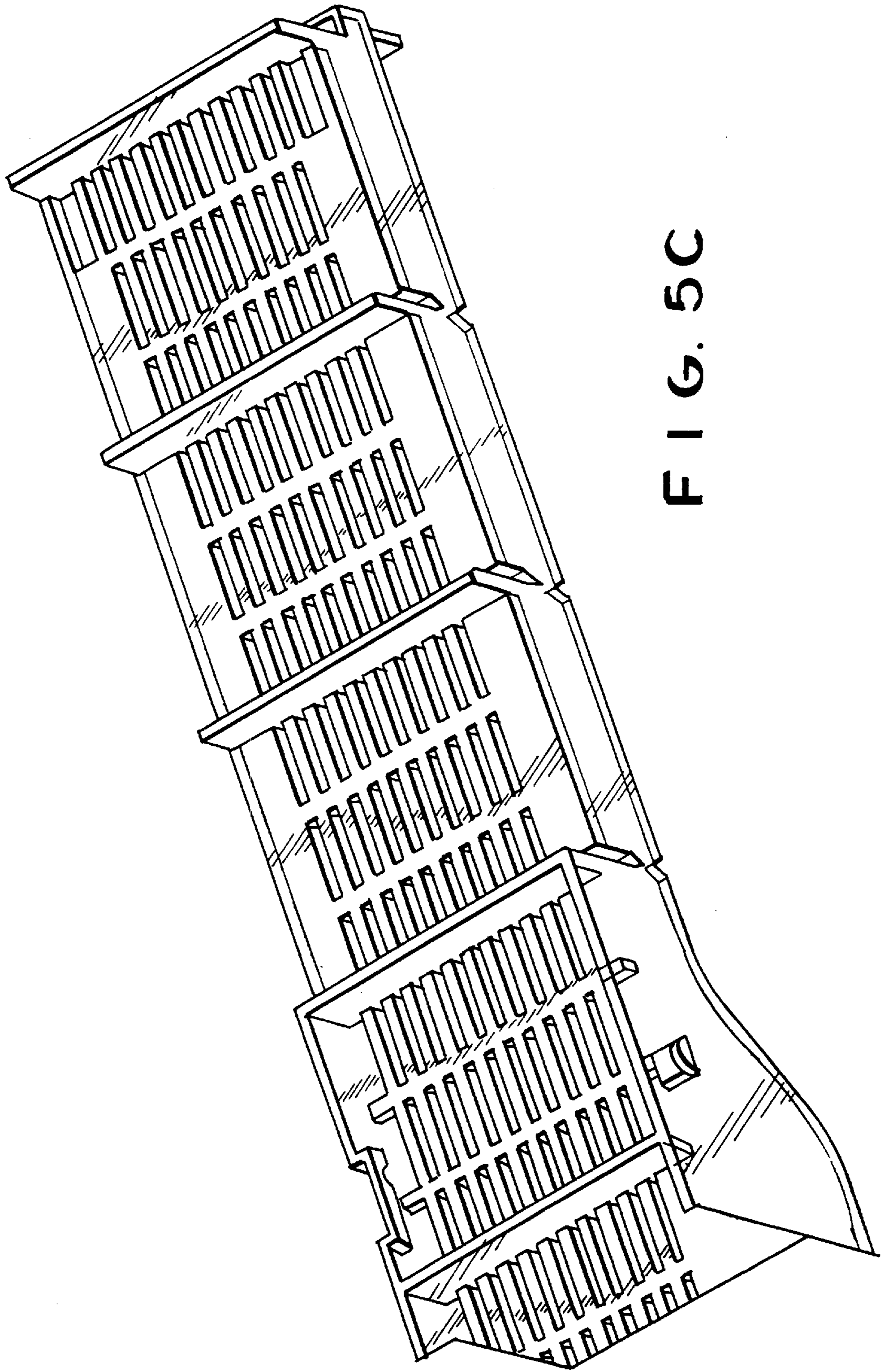


FIG. 5C

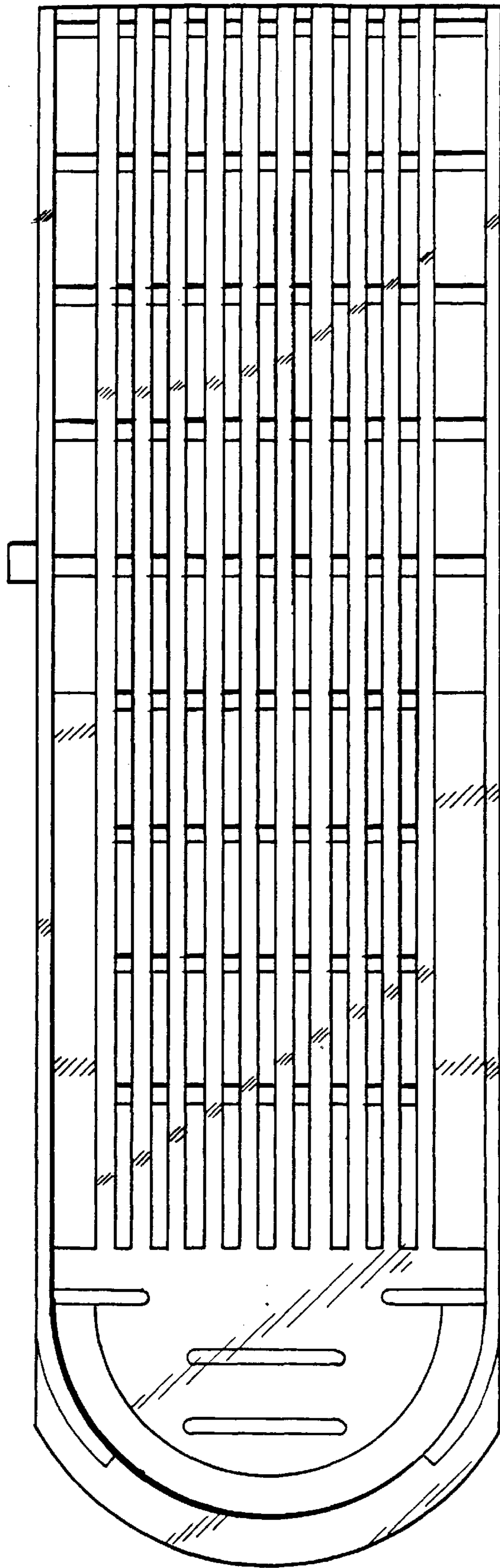


FIG. 6A

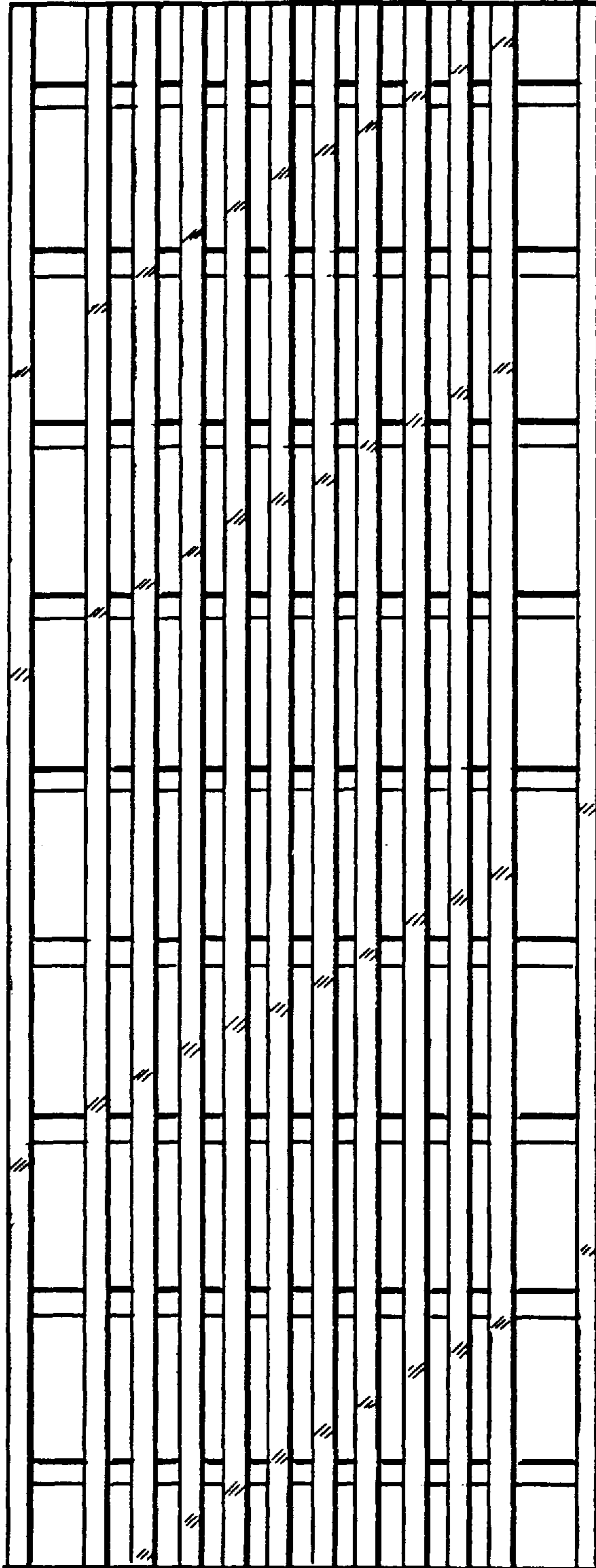


FIG. 6B

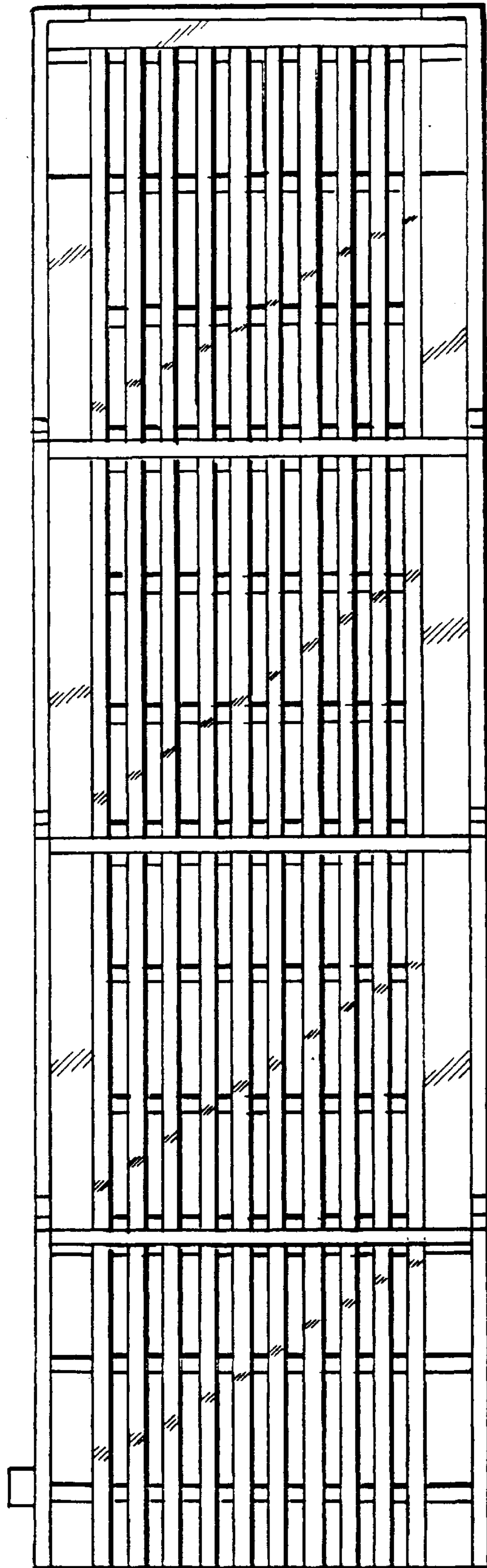


FIG. 6C

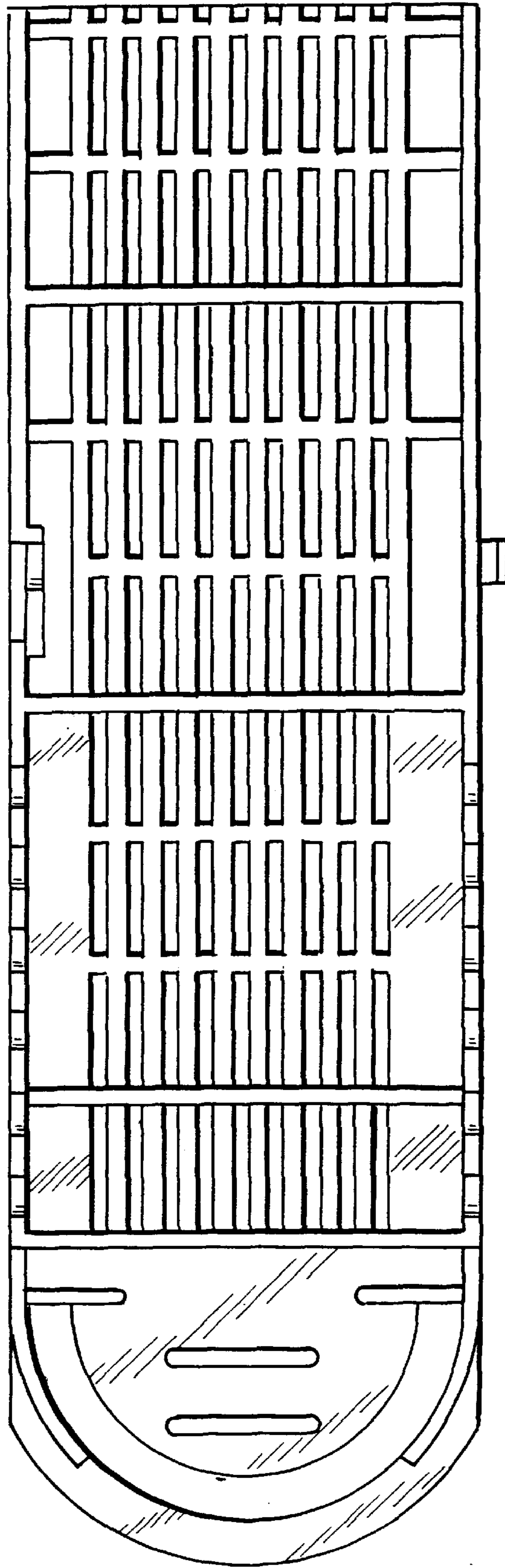


FIG. 7A

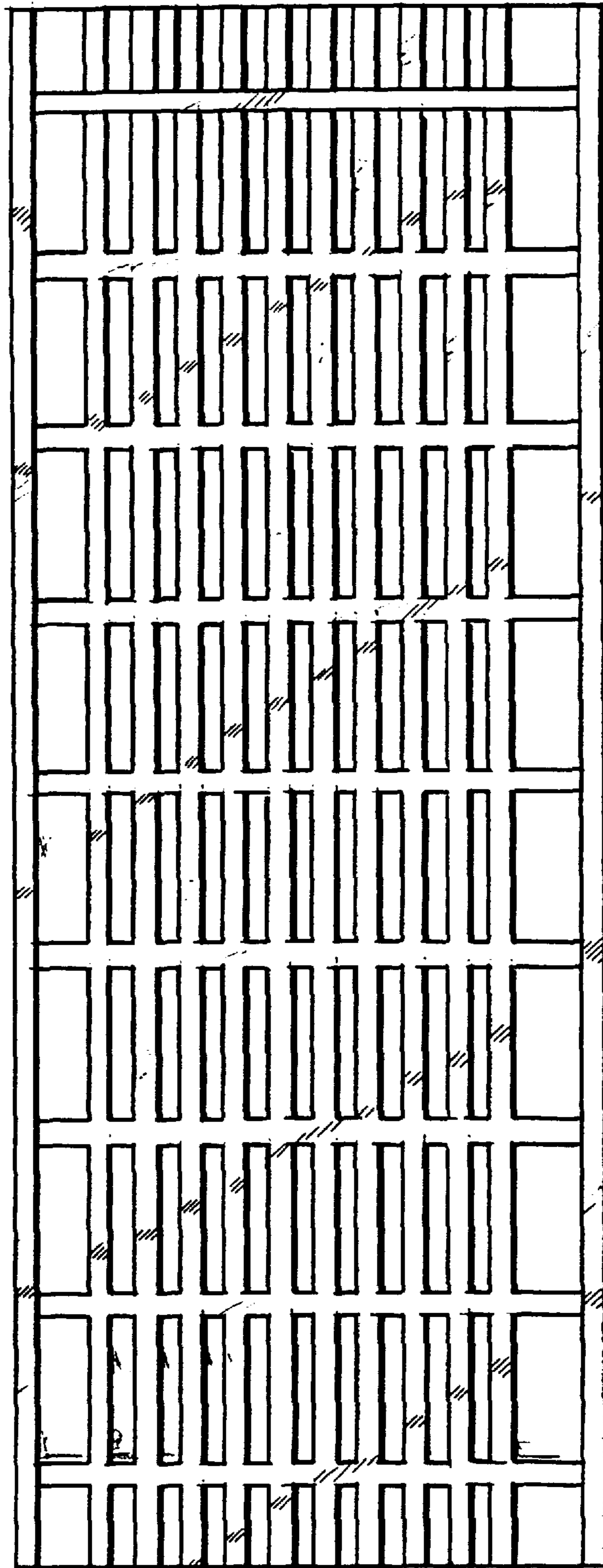


FIG. 7 B

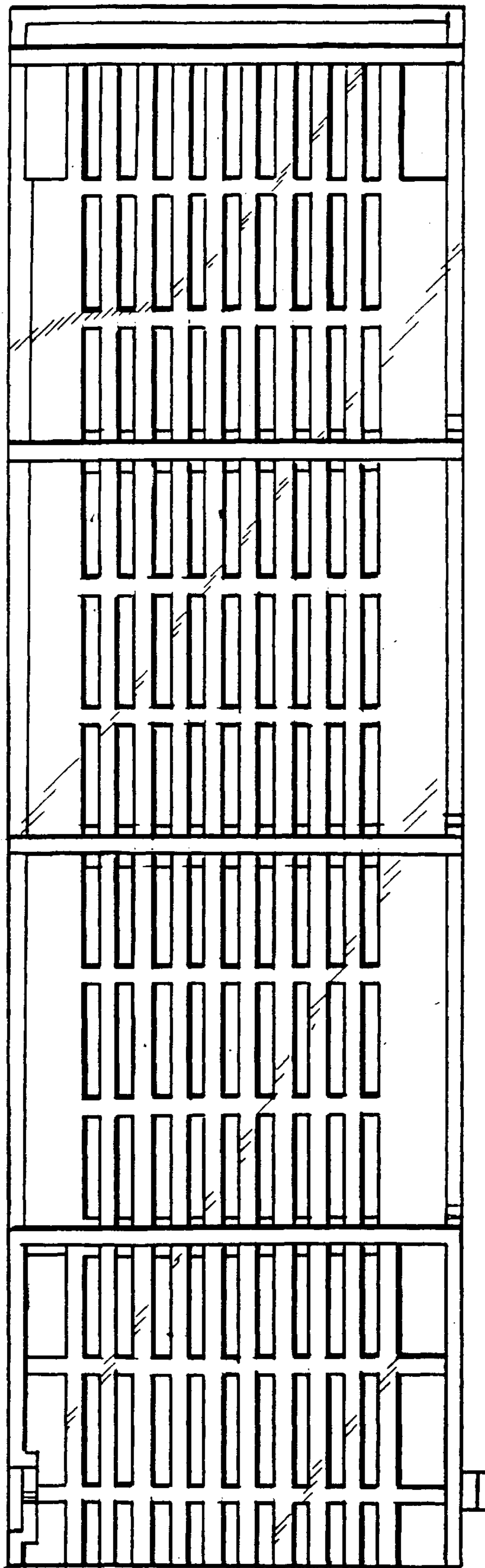


FIG. 7C