



US00D401434S

# United States Patent [19]

Meteer

[11] Patent Number: Des. 401,434

[45] Date of Patent: \*\*Nov. 24, 1998

[54] HALL TREE FLOOR LAMP AND COAT RACK

[76] Inventor: Wade Meteer, R.R. #1, Box 221, Athens, Ill. 62613

[\*\*] Term: 14 Years

[21] Appl. No.: 63,228

[22] Filed: Dec. 2, 1996

[51] LOC (6) Cl. .... 06-04

[52] U.S. Cl. .... D6/399; D6/459; D26/51

[58] Field of Search ..... D6/397, 411, 415, D6/455, 458, 462, 463, 464, 465, 403, 405; D26/51, 55; D32/58; 211/37, 33, 107, 205, 13.1; 47/39; 248/27.8, 146, 127, 200.1, 357; 362/227, 127, 132, 253

### [56] References Cited

#### U.S. PATENT DOCUMENTS

D. 76,856	11/1928	D'Angelo	.....	D6/415 X
D. 189,860	3/1961	Goldstein	.....	D26/55
D. 202,464	10/1965	Silverstein et al.	.....	D6/415 X
D. 225,752	1/1973	Mencimer	.....	D6/464
D. 263,653	4/1982	Viets	.....	D6/397
D. 311,288	10/1990	Lee	.....	D6/415
D. 369,032	4/1996	Huang et al.	.....	D6/412

3,015,024	12/1961	Charchan et al.	.....	362/227
4,770,303	9/1988	Boyd	.....	211/205
4,991,344	2/1991	Carney	.....	47/39

Primary Examiner—James Grandy  
Assistant Examiner—Linda Brooks  
Attorney, Agent, or Firm—Anthony A. Davis

### [57] CLAIM

The ornamental design for a hall tree floor lamp and coat rack, as shown and described.

### DESCRIPTION

FIG. 1 is a side perspective view of the invention with the support arms randomly rotated to positions about the center axis of the invention;

FIG. 2 is a side perspective view of the invention with the support arms in aligned rotated positions about the center axis of the invention;

FIG. 3 is a top view of the invention with support arms in aligned rotated positions about the center axis of the invention;

FIG. 4 is a bottom view of the invention; and,

FIG. 5 is a top view of the invention with the support arms randomly rotated to positions about the center axis of the invention.

1 Claim, 5 Drawing Sheets

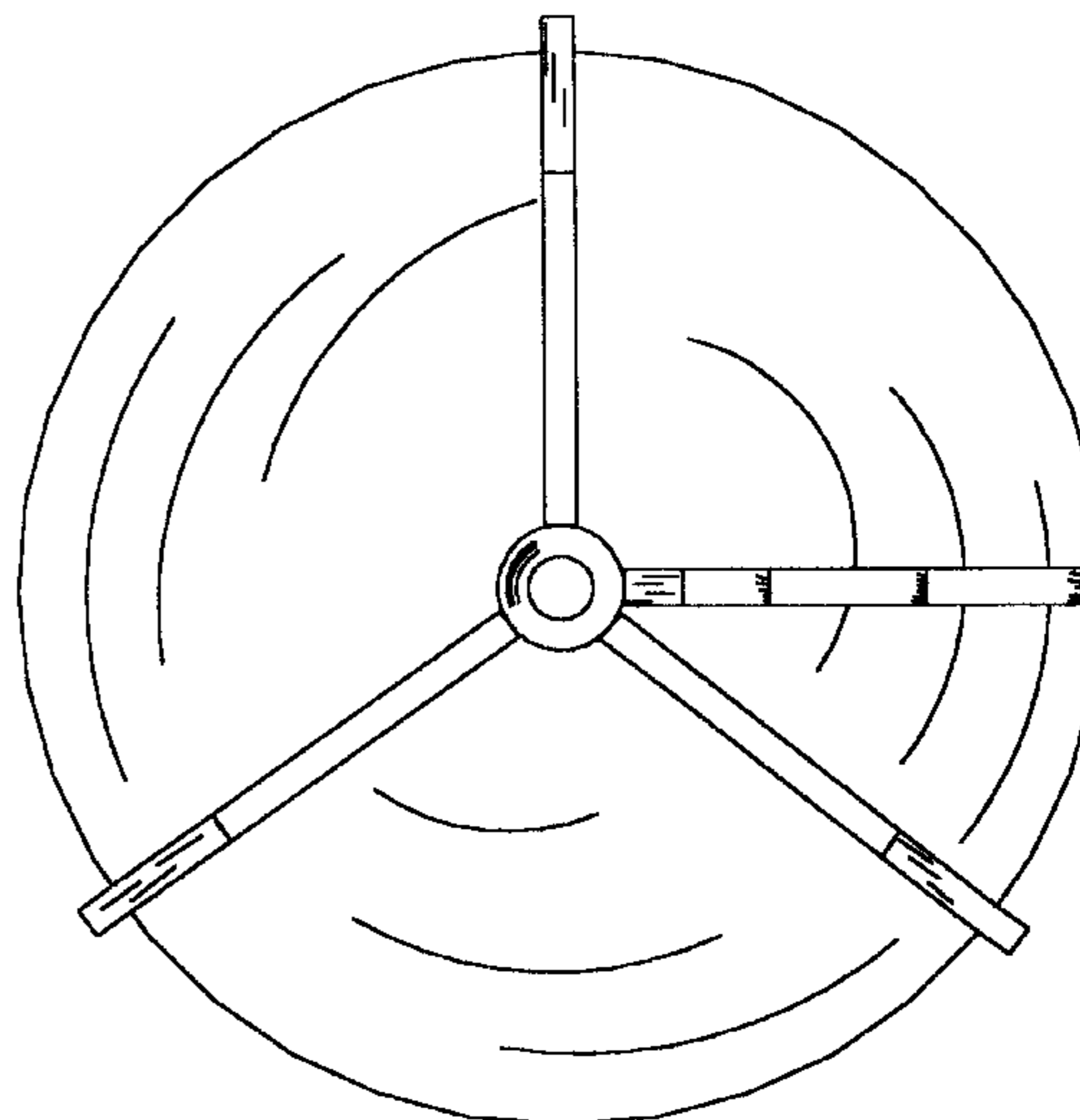
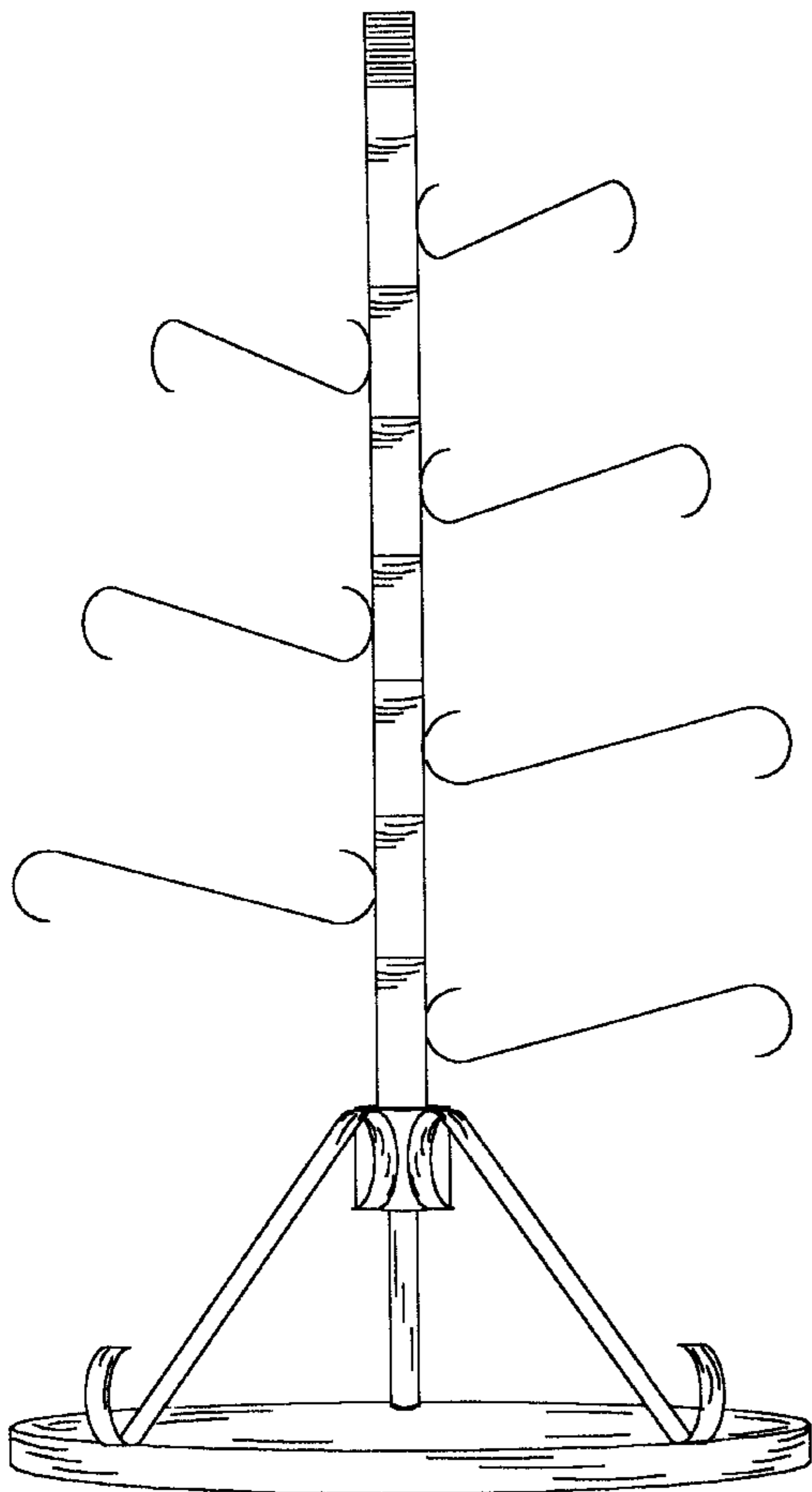


Figure 1

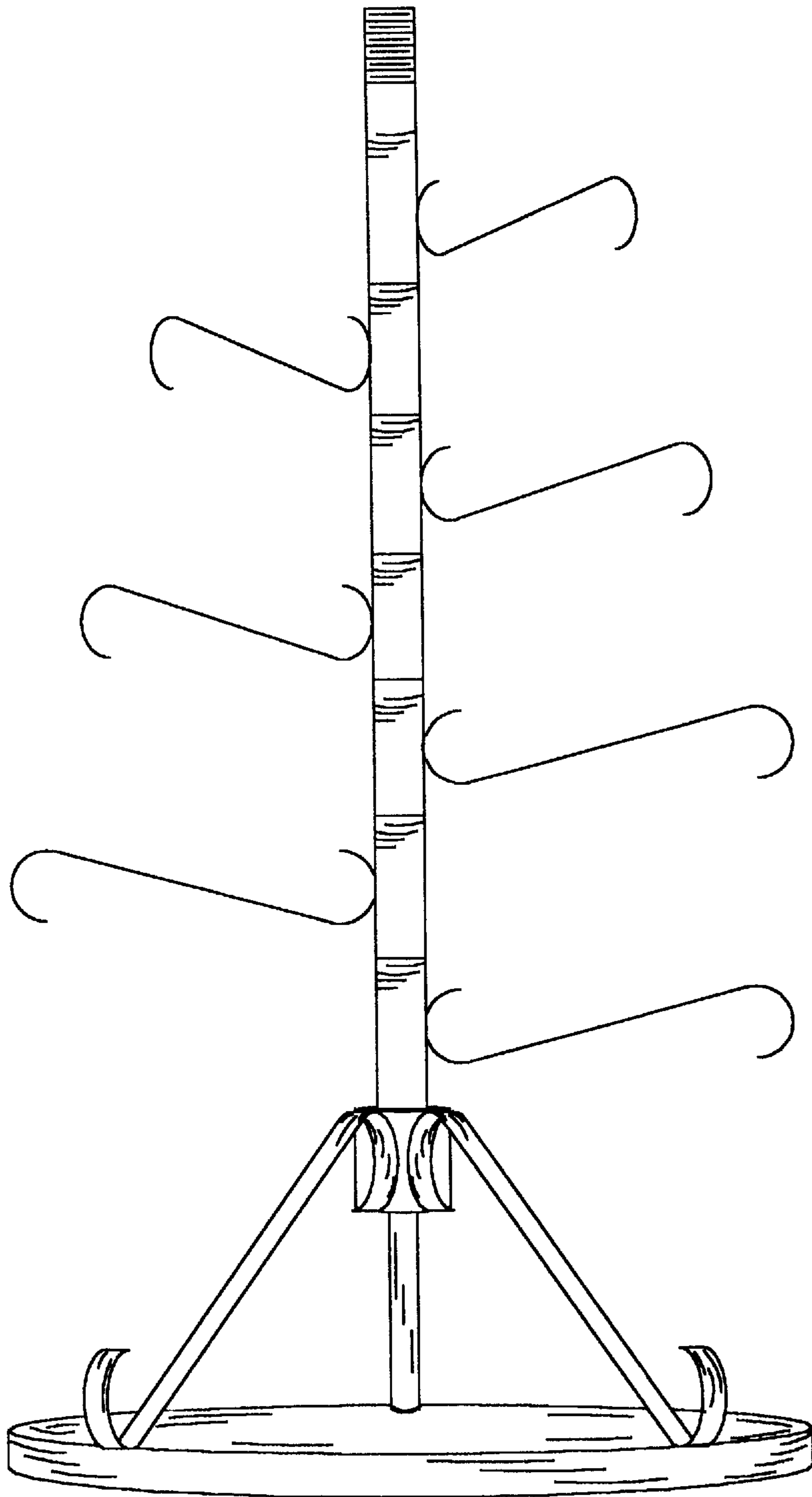


Figure 2

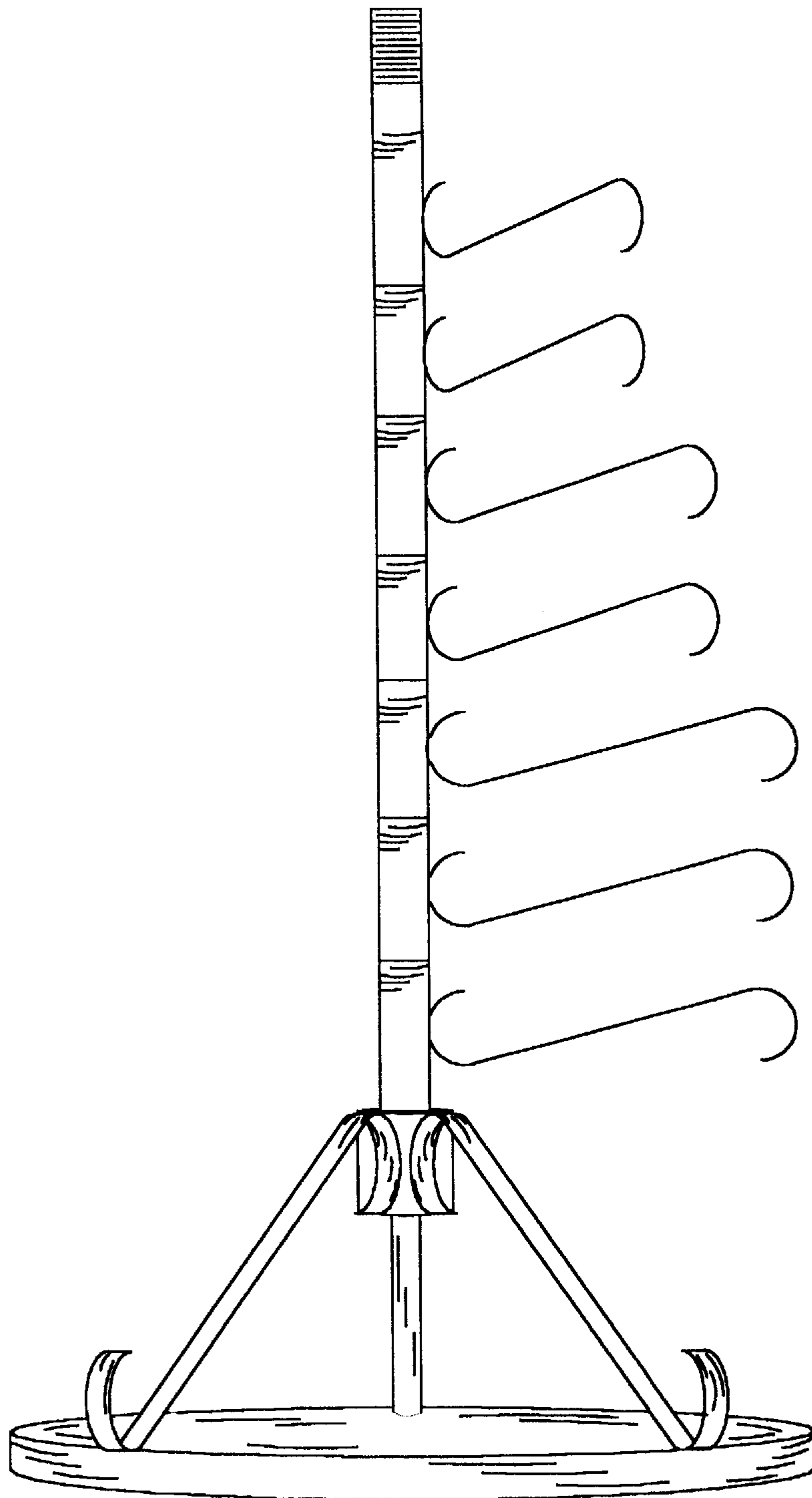


Figure 3

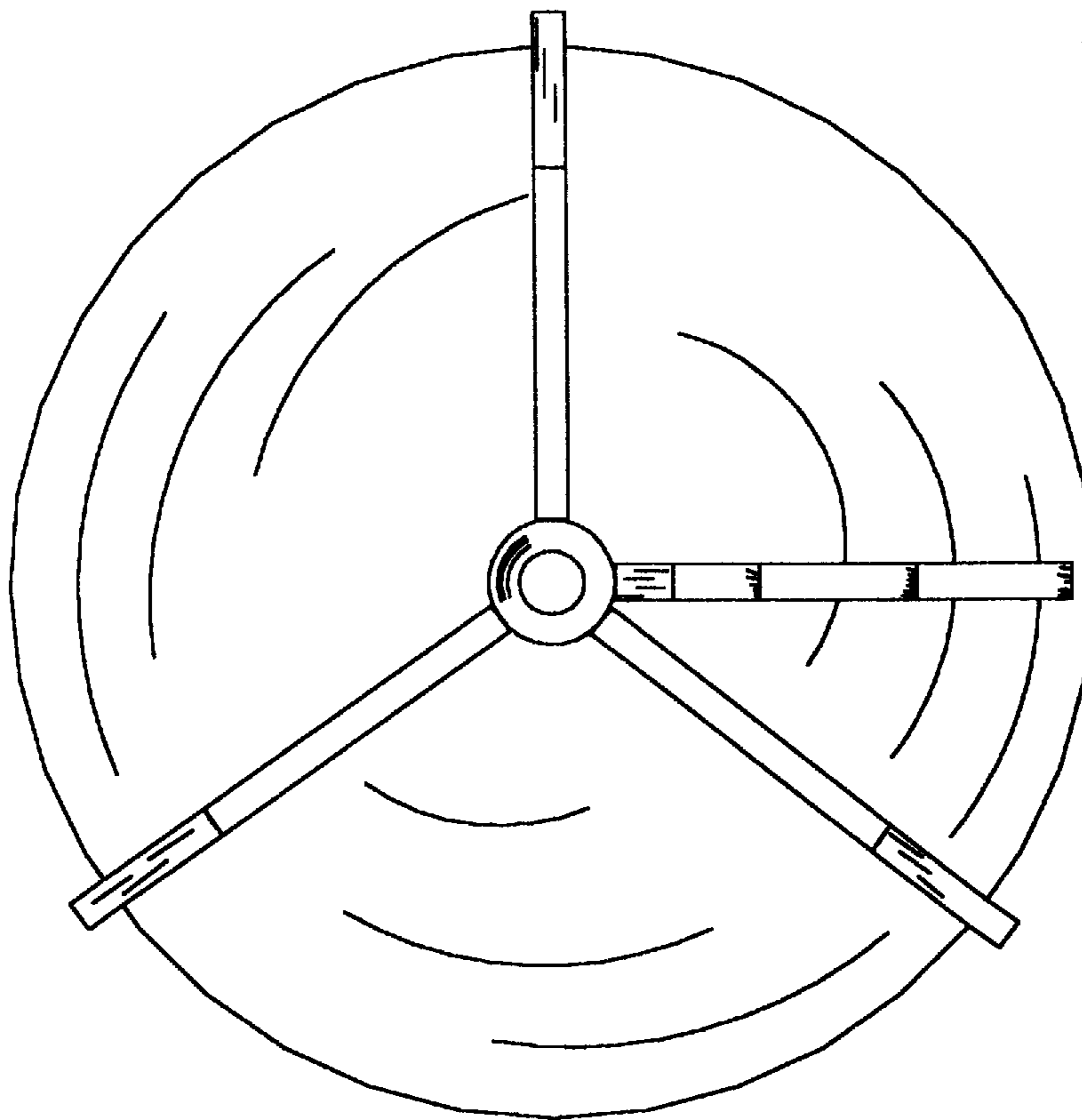


Figure 4

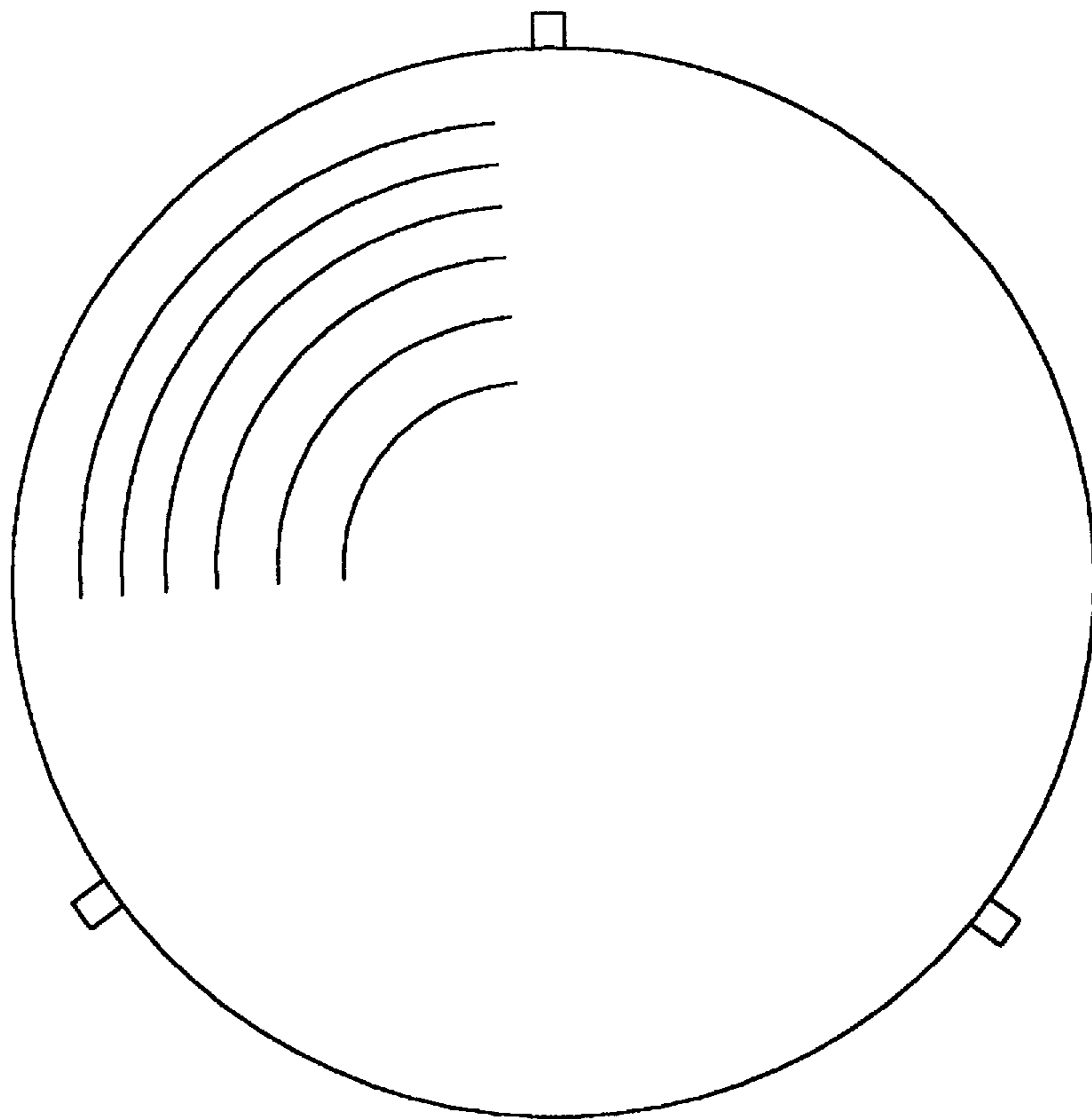


Figure 5

