



US00D401430S

United States Patent [19]

De Blaay

[11] Patent Number: **Des. 401,430**

[45] Date of Patent: ****Nov. 24, 1998**

[54] **SOFA**

[75] Inventor: **William E. De Blaay**, Manlius, N.Y.

[73] Assignee: **L & J. G. Stickley, Inc.**, Manlius, N.Y.

[**] Term: **14 Years**

[21] Appl. No.: **76,207**

[22] Filed: **Sep. 8, 1997**

[51] **LOC (6) Cl.** **06-01**

[52] **U.S. Cl.** **D6/381**

[58] **Field of Search** D6/334, 335, 336,
D6/371, 373, 381, 500, 501, 502; 297/232

[56] **References Cited**

U.S. PATENT DOCUMENTS

D. 211,336	6/1968	Kettman	D6/370
D. 217,963	7/1970	Rozett	D6/336
D. 234,171	1/1975	Long	D6/334
D. 235,943	7/1975	Long	D6/334
D. 239,580	4/1976	Robertson	D6/381

D. 241,693	10/1976	Friedman	D6/381
D. 253,263	10/1979	Long	D6/371
D. 255,515	6/1980	Friedman	D6/371
D. 258,401	3/1981	Beall, Jr.	D6/381
D. 329,543	9/1992	Shields	D6/334

Primary Examiner—Gary D. Watson
Attorney, Agent, or Firm—Trapani & Molldrem

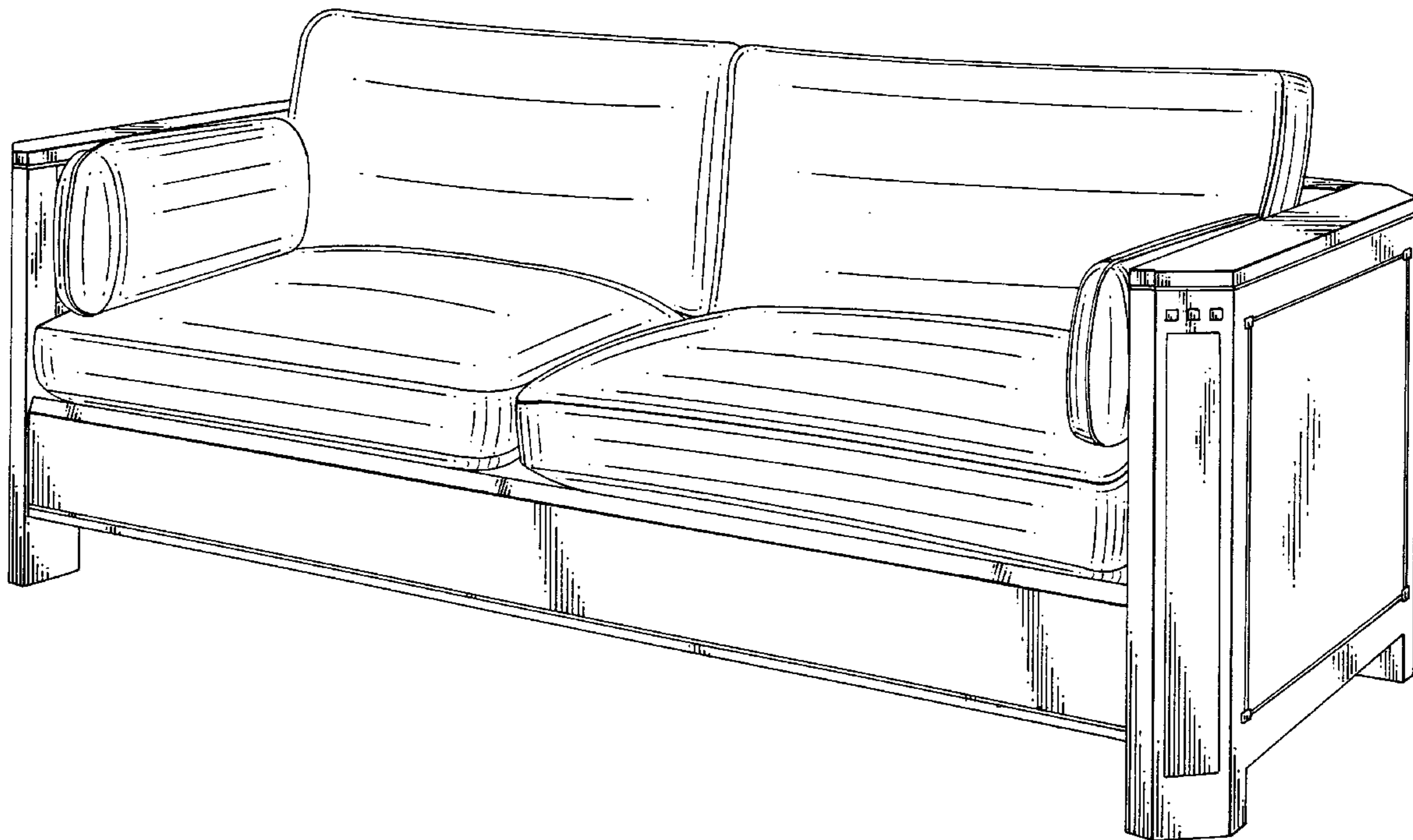
[57] **CLAIM**

The ornamental design for a sofa, as shown and described.

DESCRIPTION

FIG. 1 is a perspective view of a sofa showing my new design;
FIG. 2 is a front elevational view thereof;
FIG. 3 is a top plan view thereof;
FIG. 4 is a rear elevational view thereof, showing the corner posts and back panel with solid inlay; and,
FIG. 5 is a left side elevation thereof, the right side elevation being a mirror image.

1 Claim, 5 Drawing Sheets



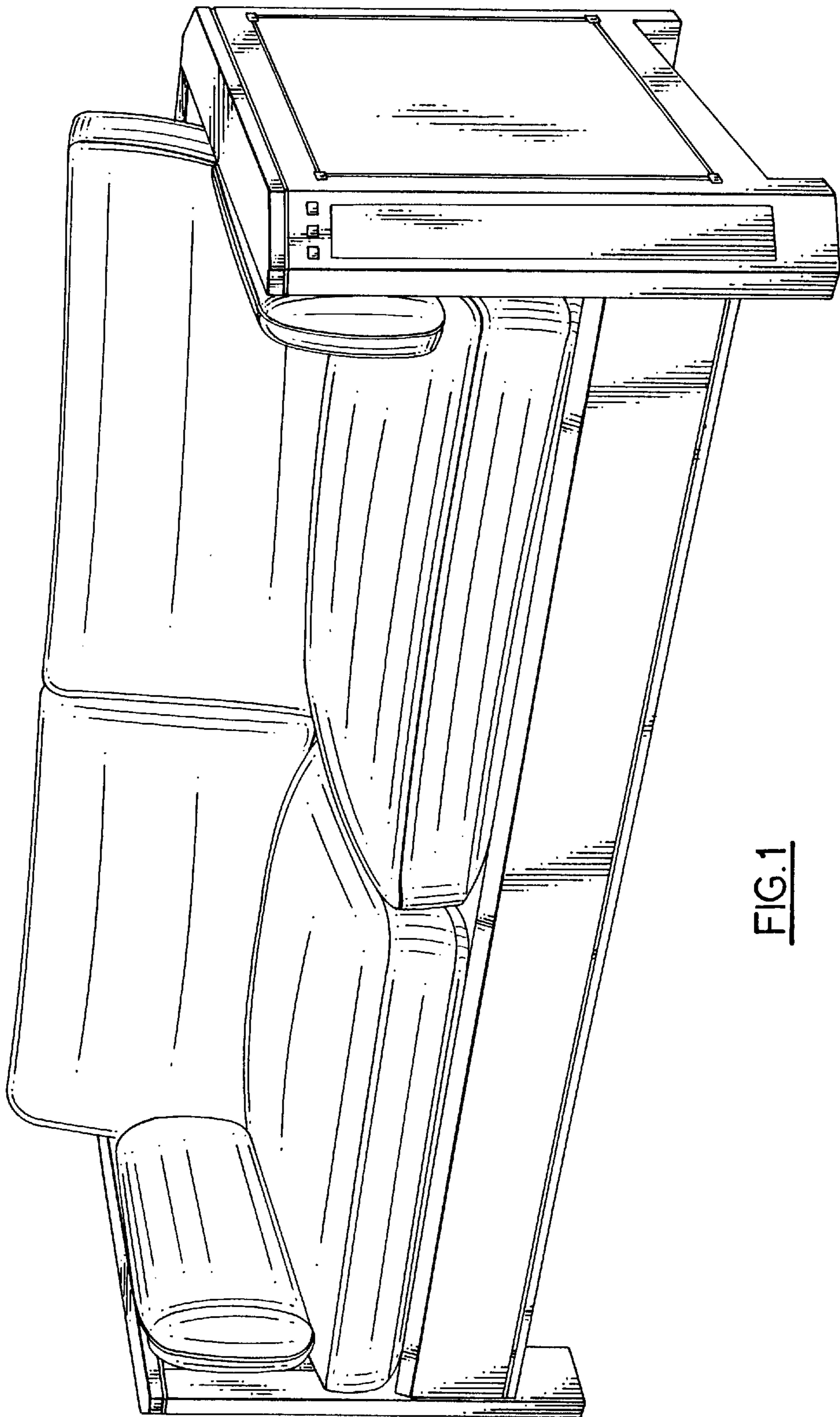


FIG. 1

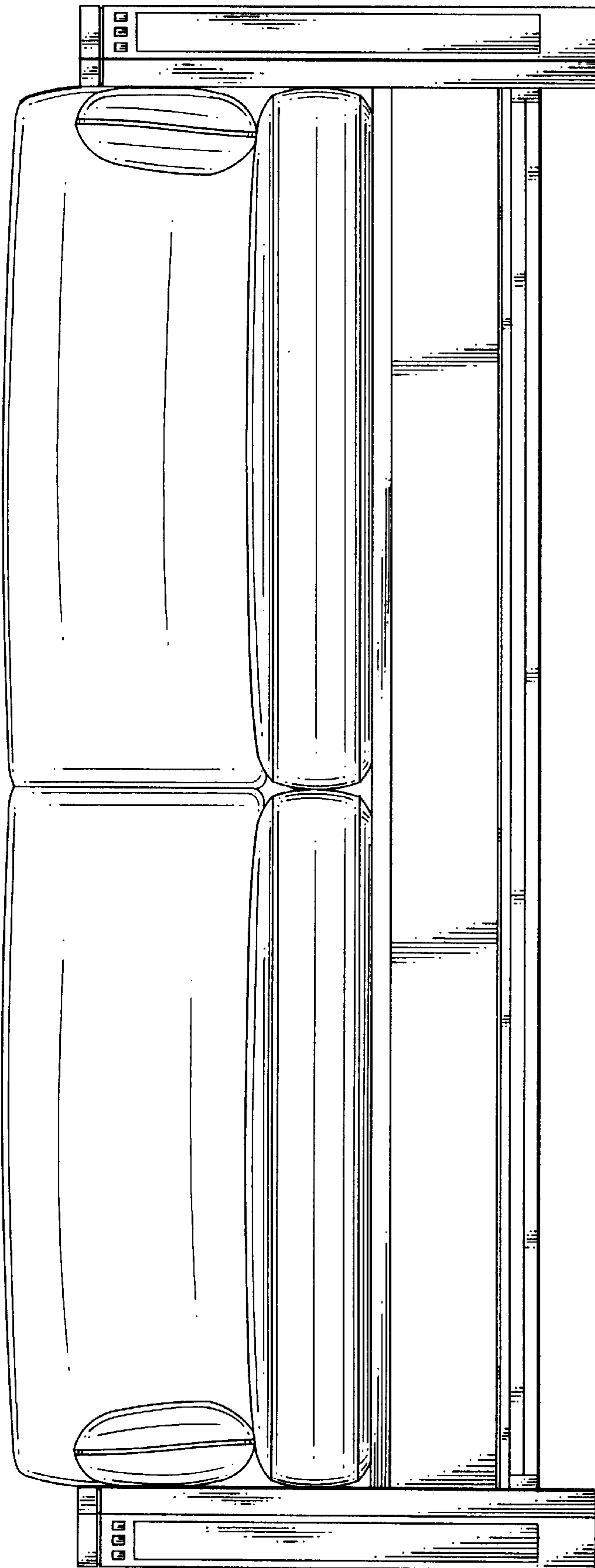


FIG. 2

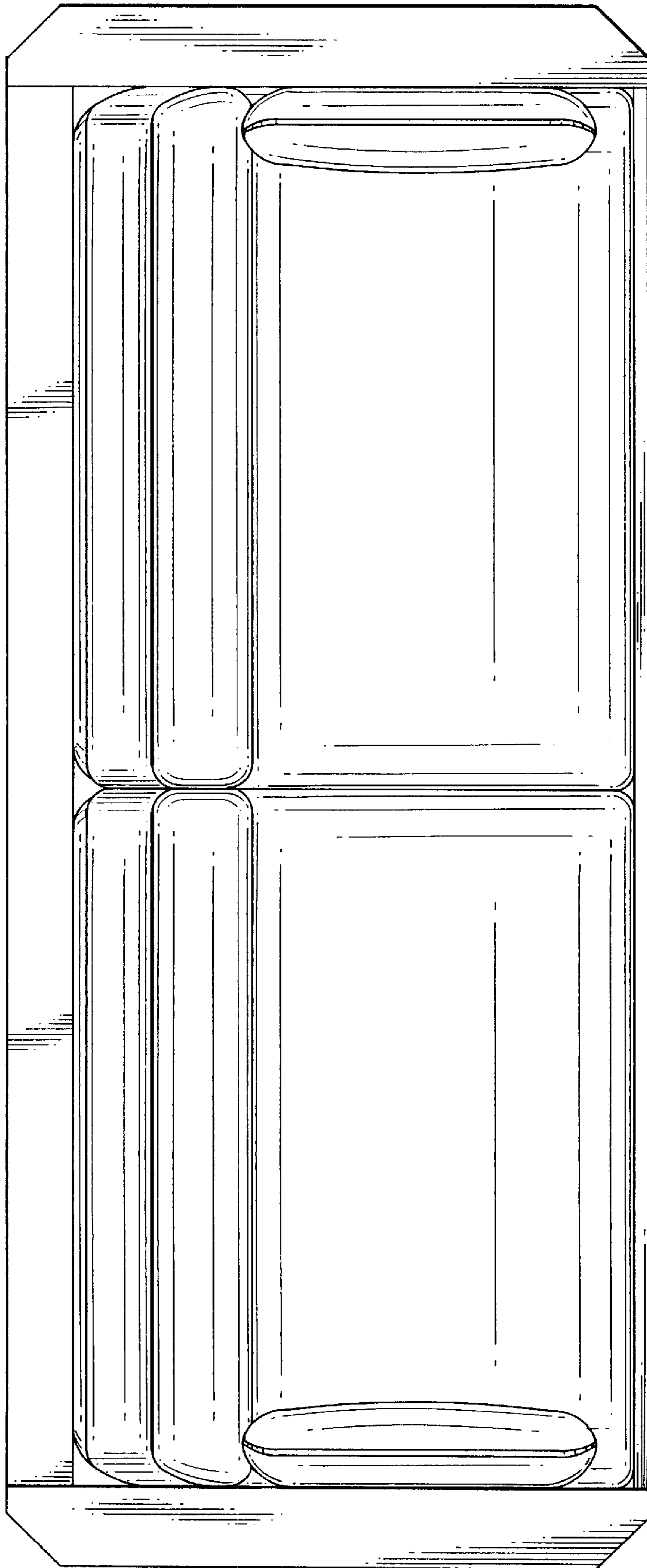


FIG. 3



FIG.4

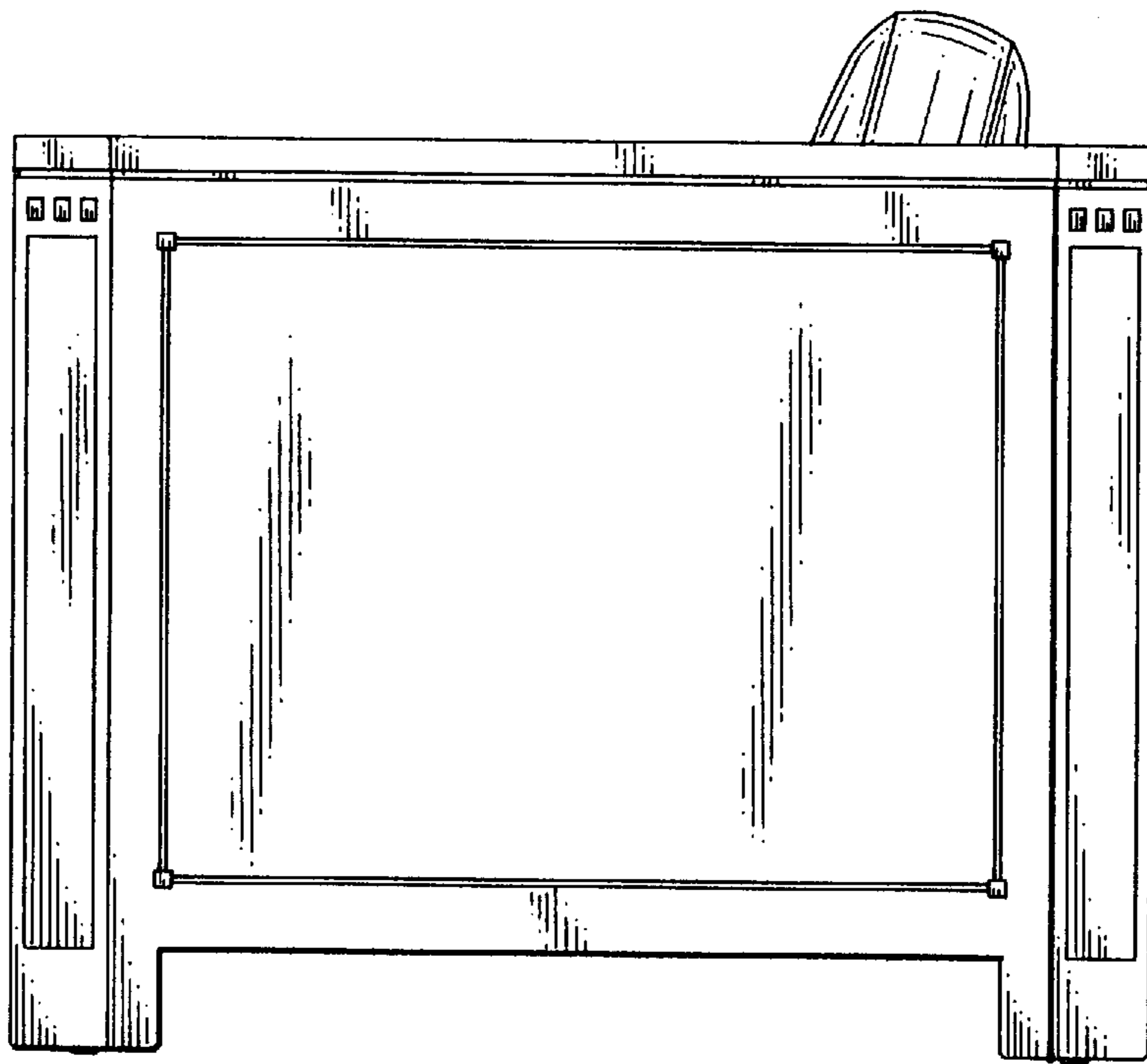


FIG.5