



US00D401429S

United States Patent [19] Tseng

[11] **Patent Number: Des. 401,429**

[45] **Date of Patent: **Nov. 24, 1998**

[54] **CHAIR**

D. 346,503 5/1994 Wegener D6/380
D. 346,504 5/1994 Wegener D6/380

[75] Inventor: **Chuen-Jong Tseng**, Chiayi Hsien,
Taiwan

OTHER PUBLICATIONS

JC Penney, p. 979, Chair at top left, Fall & Winter 1996.

[73] Assignee: **Shin Yen Enterprise Co., Ltd.**, Chiayi
Hsien, Taiwan

Primary Examiner—Gary D. Watson
Attorney, Agent, or Firm—Skjerven, Morrill, MacPherson,
Franklin & Friel LLP

[**] Term: **14 Years**

[21] Appl. No.: **79,599**

[57] CLAIM

The ornamental design for a chair, as shown and described.

[22] Filed: **Nov. 17, 1997**

DESCRIPTION

[51] **LOC (6) Cl.** **06-01**

[52] **U.S. Cl.** **D6/380**

[58] **Field of Search** D6/334, 370, 374,
D6/376, 379, 380, 500, 501, 502; 297/446.1,
452.18

FIG. 1 is a perspective view of a chair showing my new design;

FIG. 2 is a front elevational view thereof;

FIG. 3 is a rear elevational view thereof;

FIG. 4 is a left side elevational view thereof;

FIG. 5 is a right side elevational view thereof;

FIG. 6 is a top plan view thereof; and,

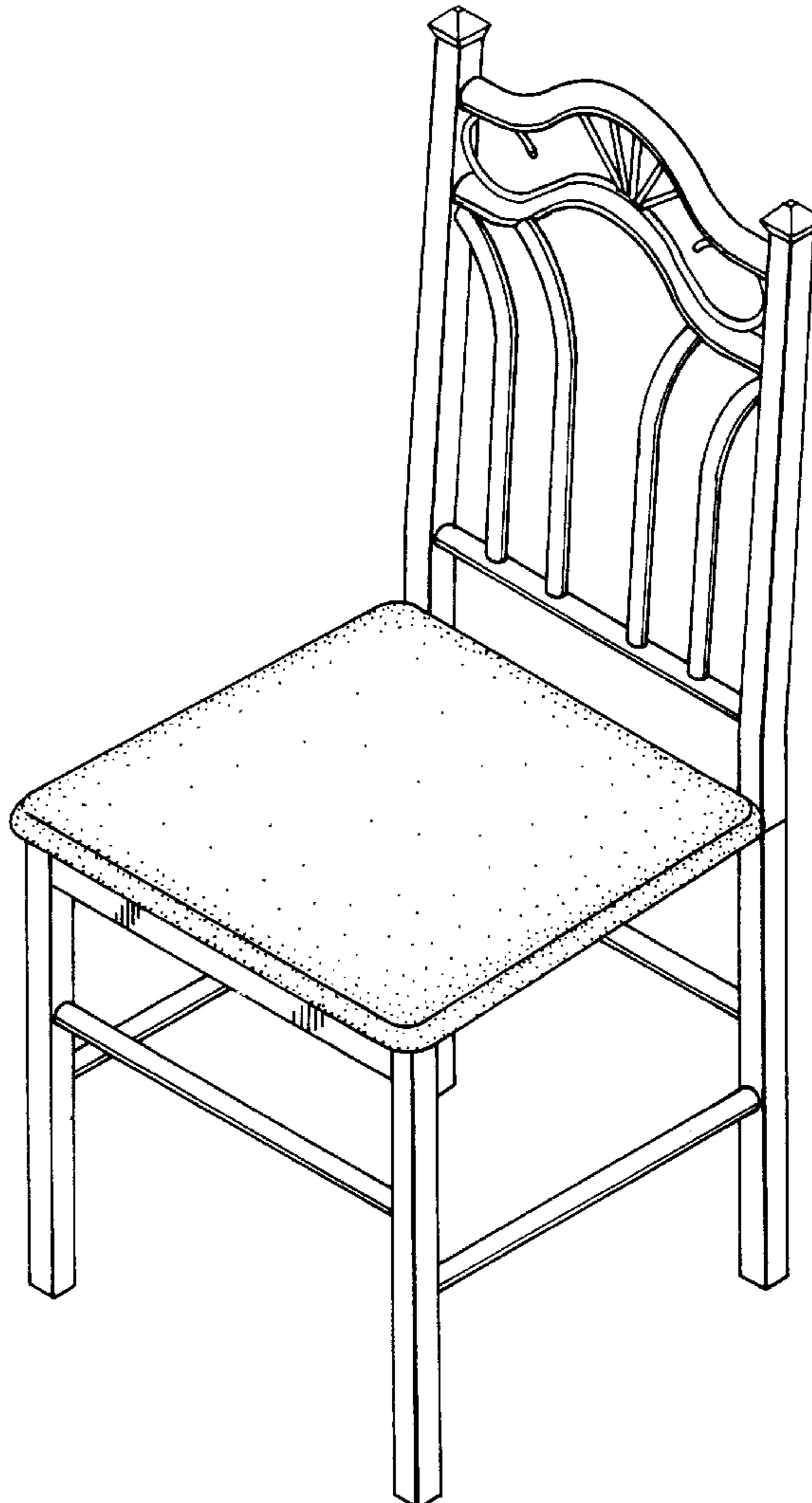
FIG. 7 is a bottom plan view thereof.

[56] References Cited

U.S. PATENT DOCUMENTS

D. 24,285 5/1895 Chandler D6/374
D. 198,907 8/1964 Petersen D6/380
D. 290,192 6/1987 Lee D6/380 X

1 Claim, 4 Drawing Sheets



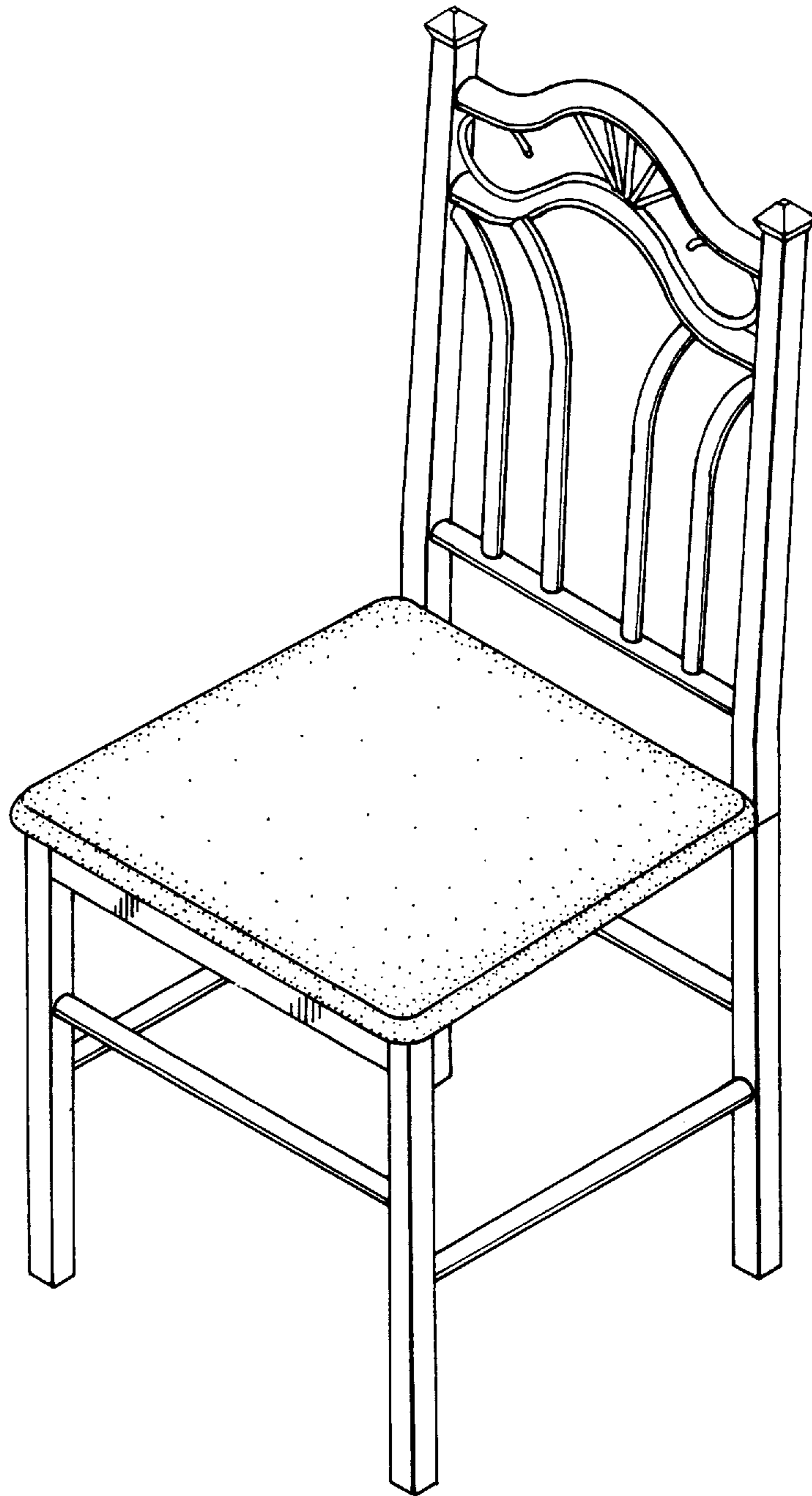


FIG.1

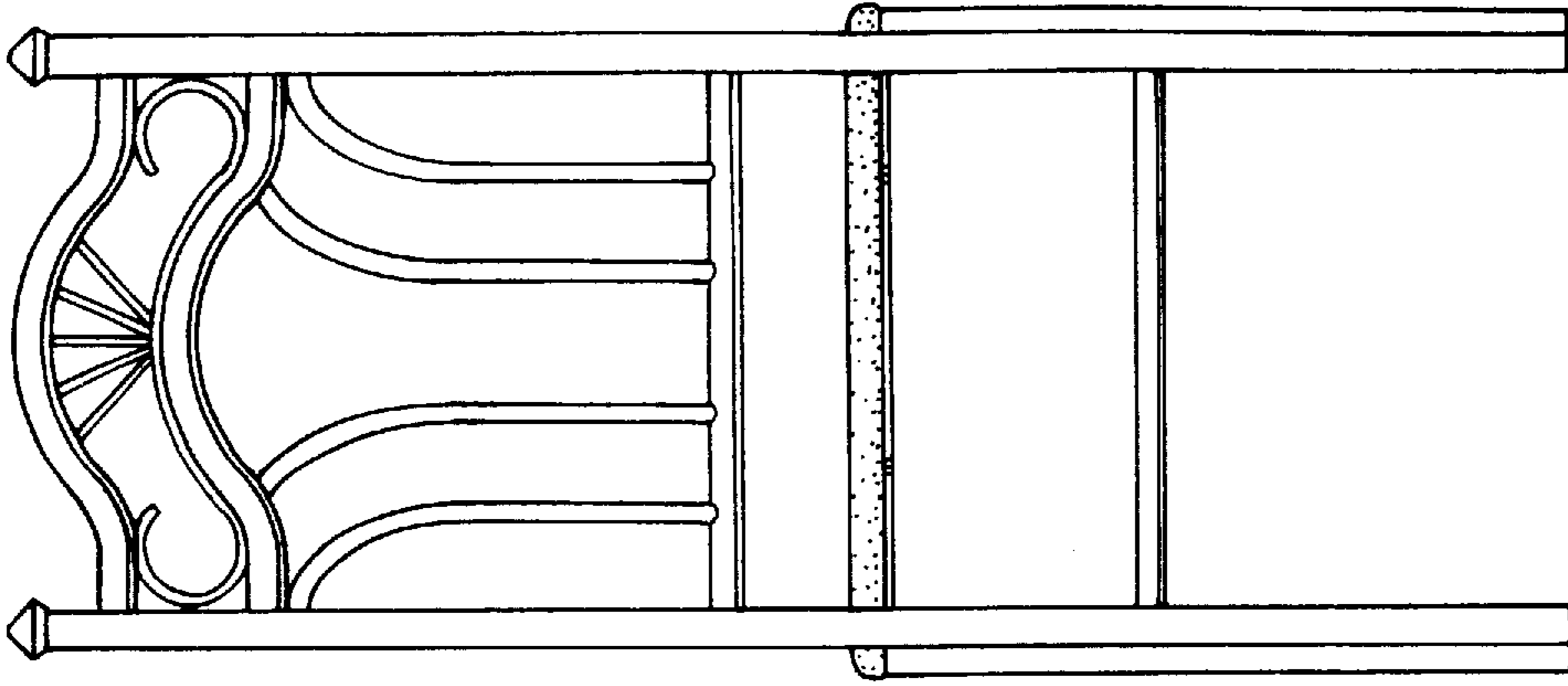


FIG. 3

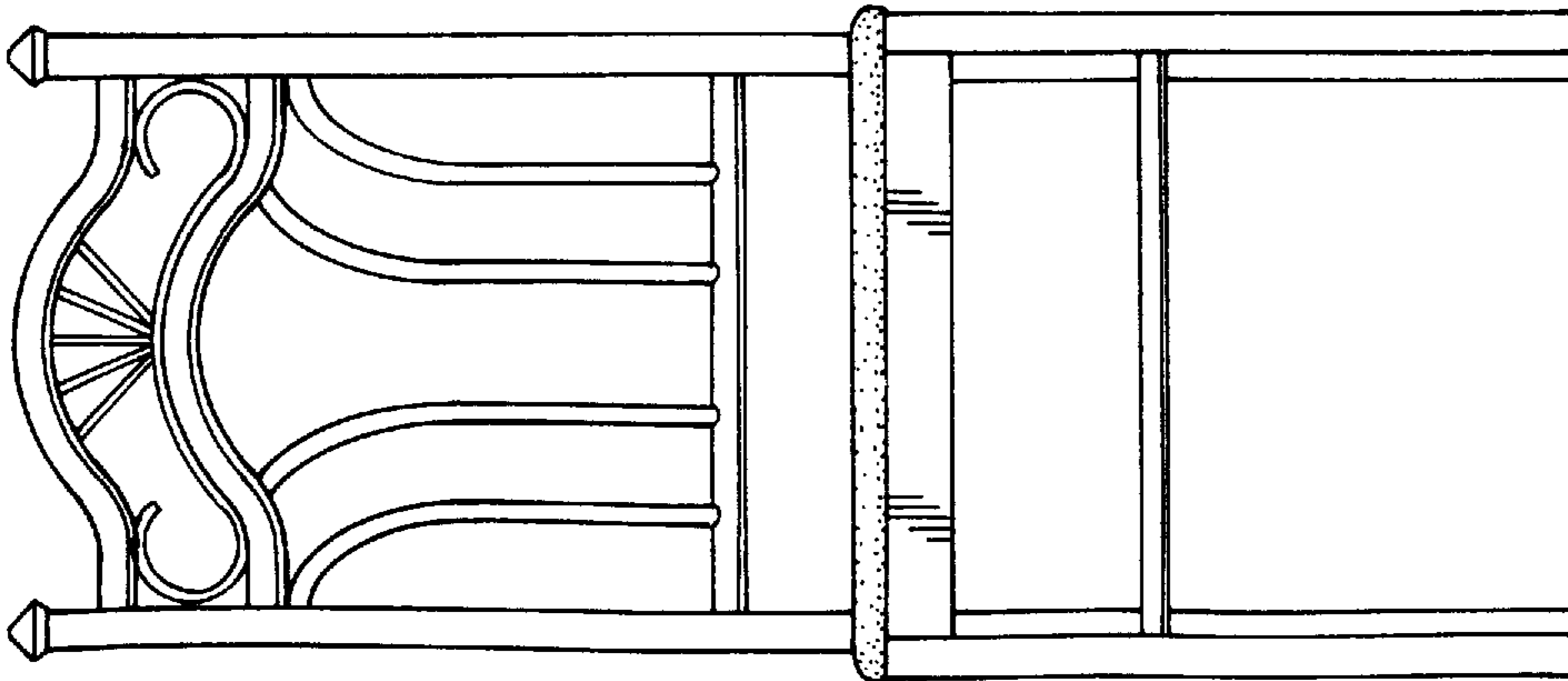


FIG. 2

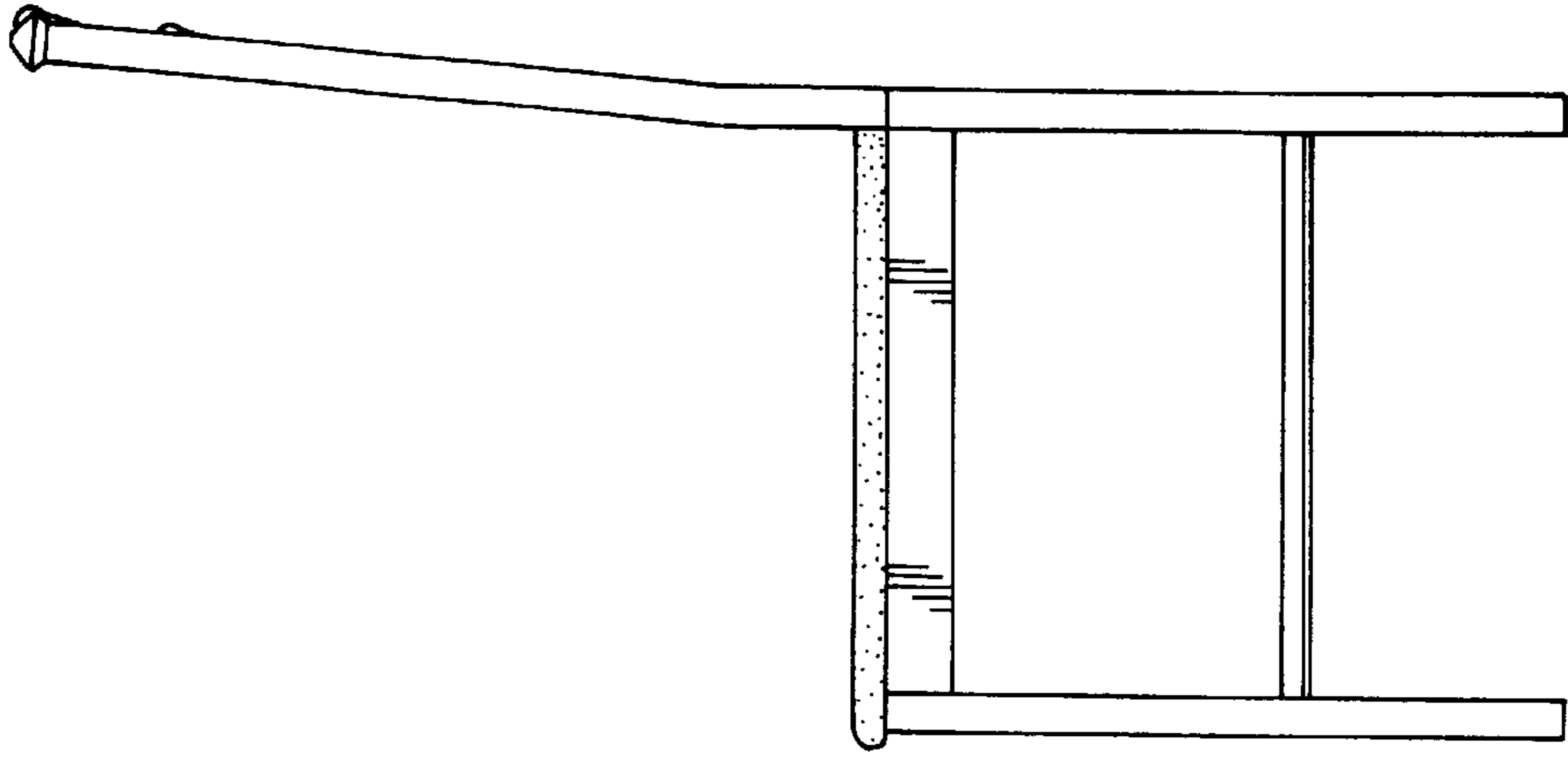


FIG. 5

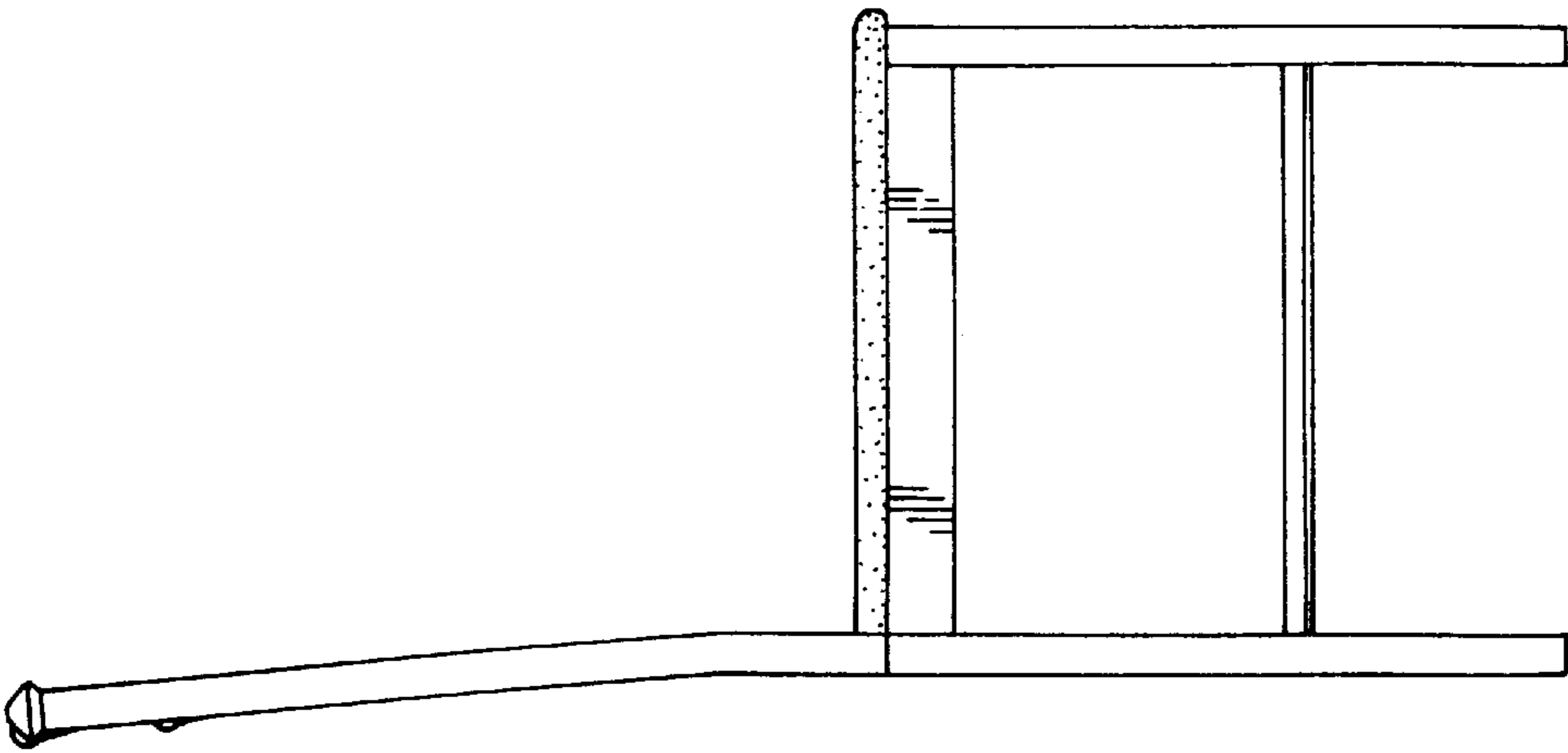


FIG. 4

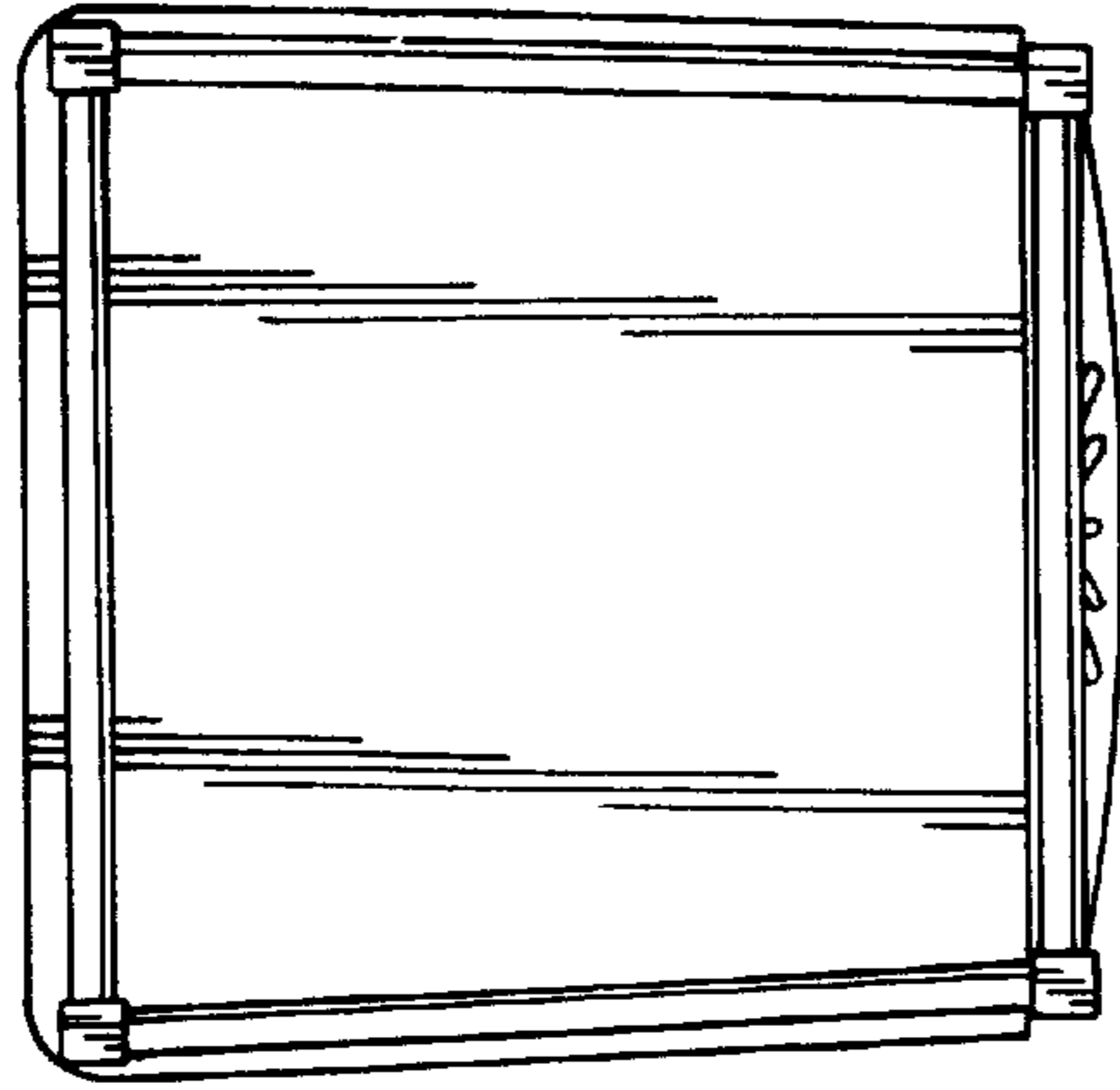


FIG. 7

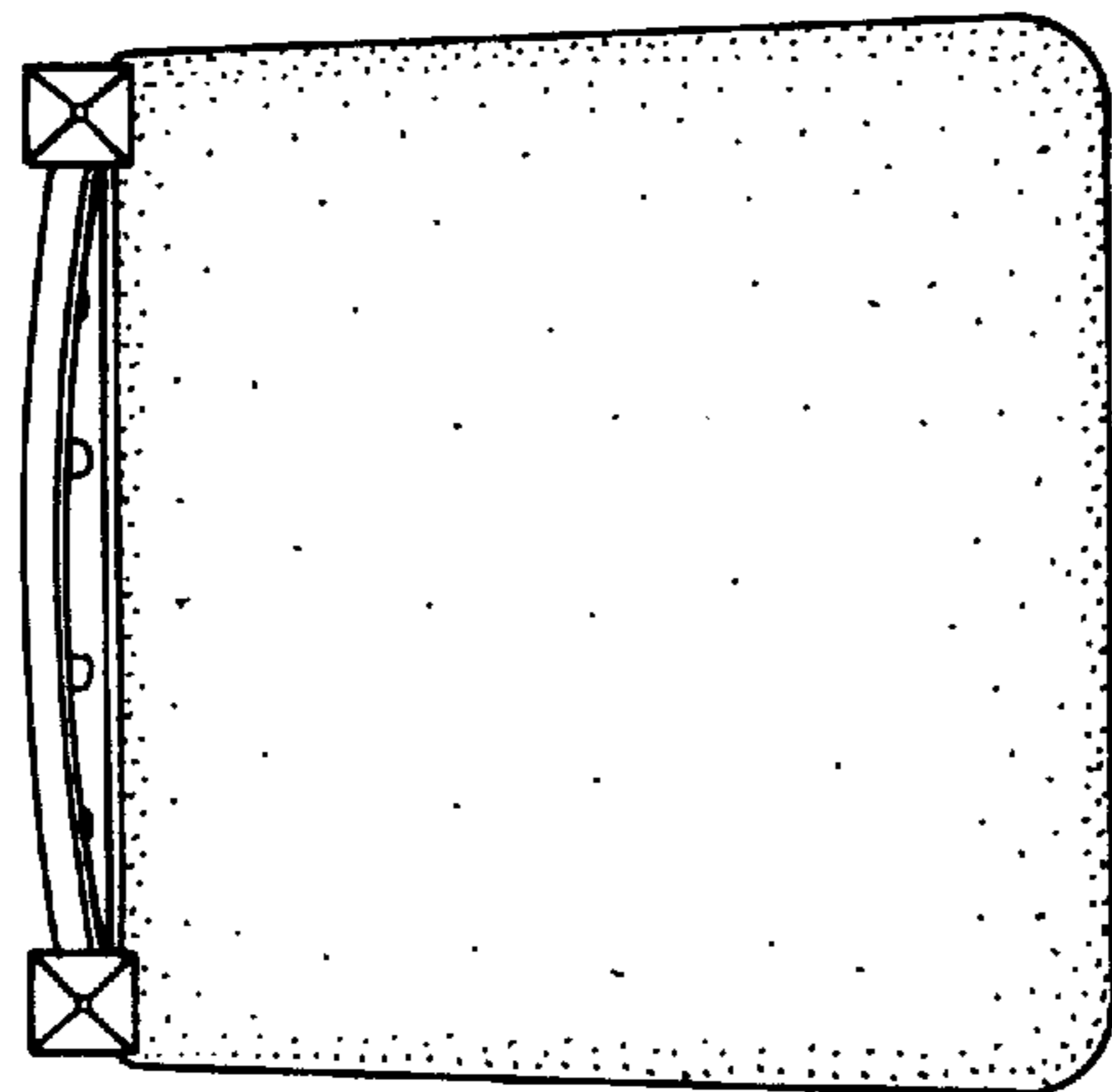


FIG. 6