



US00D401428S

United States Patent [19] Kaczmarek

[11] **Patent Number: Des. 401,428**

[45] **Date of Patent: **Nov. 24, 1998**

[54] **CHAIR**

[75] Inventor: **Peter Kaczmarek**, Downview, Canada

[73] Assignee: **Global Upholstery Company**, Toronto, Canada

[**] Term: **14 Years**

[21] Appl. No.: **55,979**

[22] Filed: **Jun. 19, 1996**

[30] **Foreign Application Priority Data**

Jun. 4, 1996 [CA] Canada 1996-1315

[51] **LOC (6) Cl.** **06-01**

[52] **U.S. Cl.** **D6/366**

[58] **Field of Search** D6/334, 364, 365,
D6/366, 367, 374, 375, 500, 501, 502;
297/411.44, 452.36

[56] **References Cited**

U.S. PATENT DOCUMENTS

- D. 182,331 3/1958 Cramer D6/364
- D. 244,892 7/1977 Koepke D6/366
- D. 259,155 5/1981 Buhk D6/366

- D. 260,205 8/1981 Buhk D6/366
- D. 267,838 2/1983 Buhk et al. D6/366
- D. 303,888 10/1989 Stafford D6/502
- D. 327,585 7/1992 Hollington D6/366

OTHER PUBLICATIONS

The Houston Post, Jun. 25, 1994, p. A-13, Danish Inspirations advertisement, chair at bottom left.

Primary Examiner—Gary D. Watson
Attorney, Agent, or Firm—Philip C. Mendes da Costa; Bereskin & Parr

[57] **CLAIM**

The ornamental design for a chair, as shown.

DESCRIPTION

FIG. 1 is a perspective view from the front and to one side of the chair;
FIG. 2 is a front elevational view of the chair of FIG. 1;
FIG. 3 is a side elevational view of the chair of FIG. 1;
FIG. 4 is a rear elevational view of the chair of FIG. 1;
FIG. 5 is a side elevational view of the other side of the chair to that shown in FIG. 3; and,
FIG. 6 is a top plan view of the chair of FIG. 1.

1 Claim, 3 Drawing Sheets



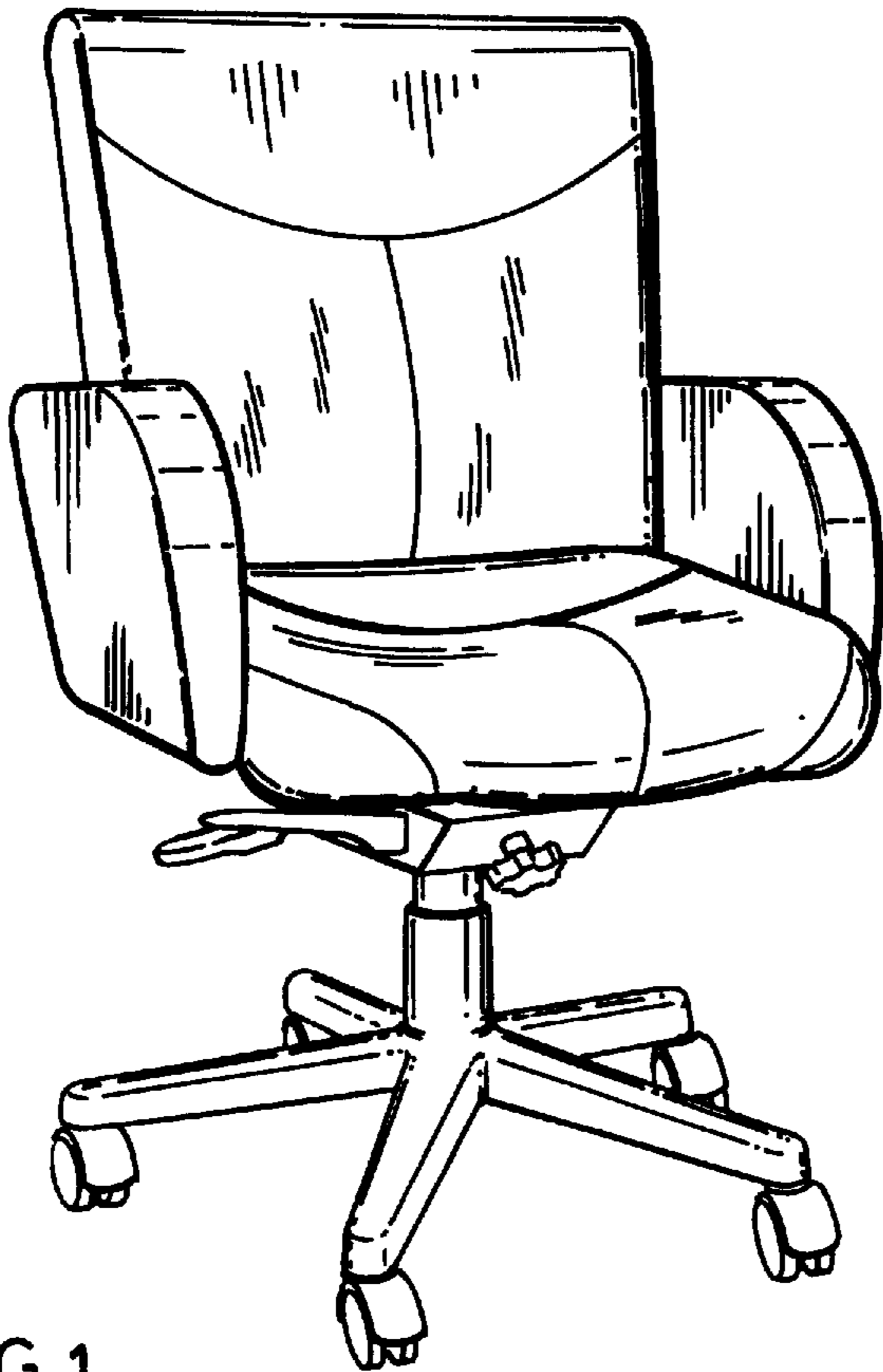


FIG. 1.

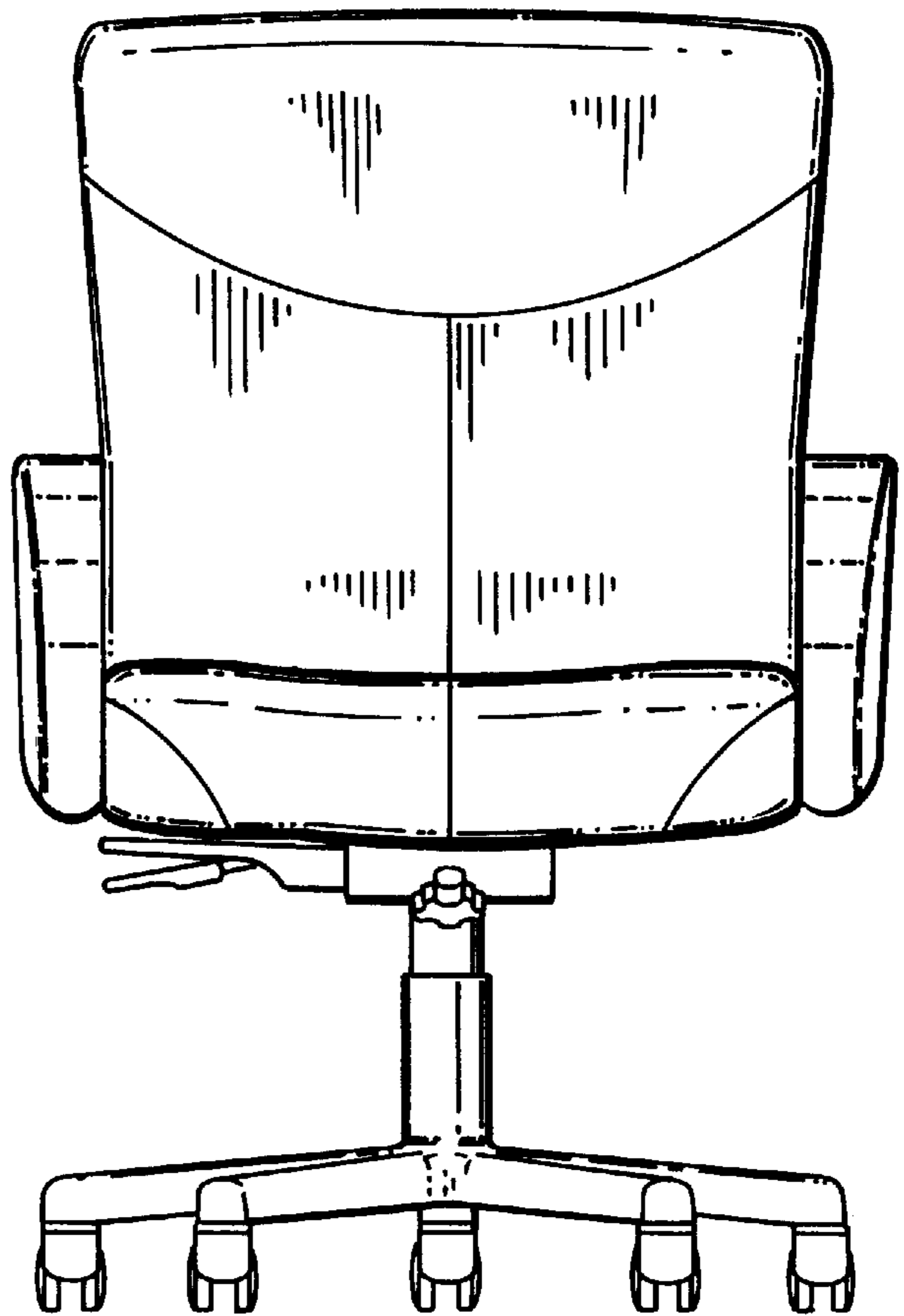


FIG. 2.

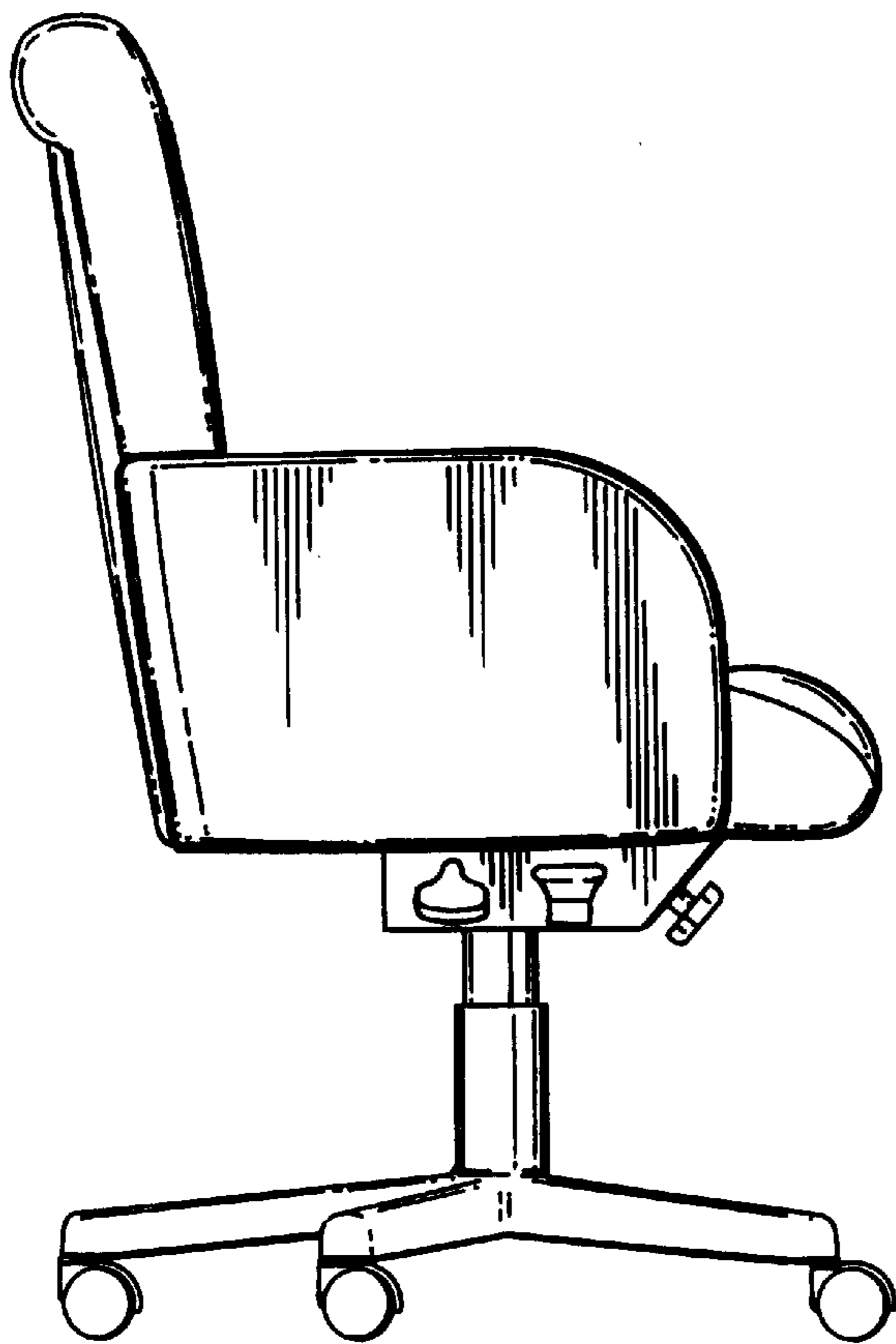


FIG. 3.

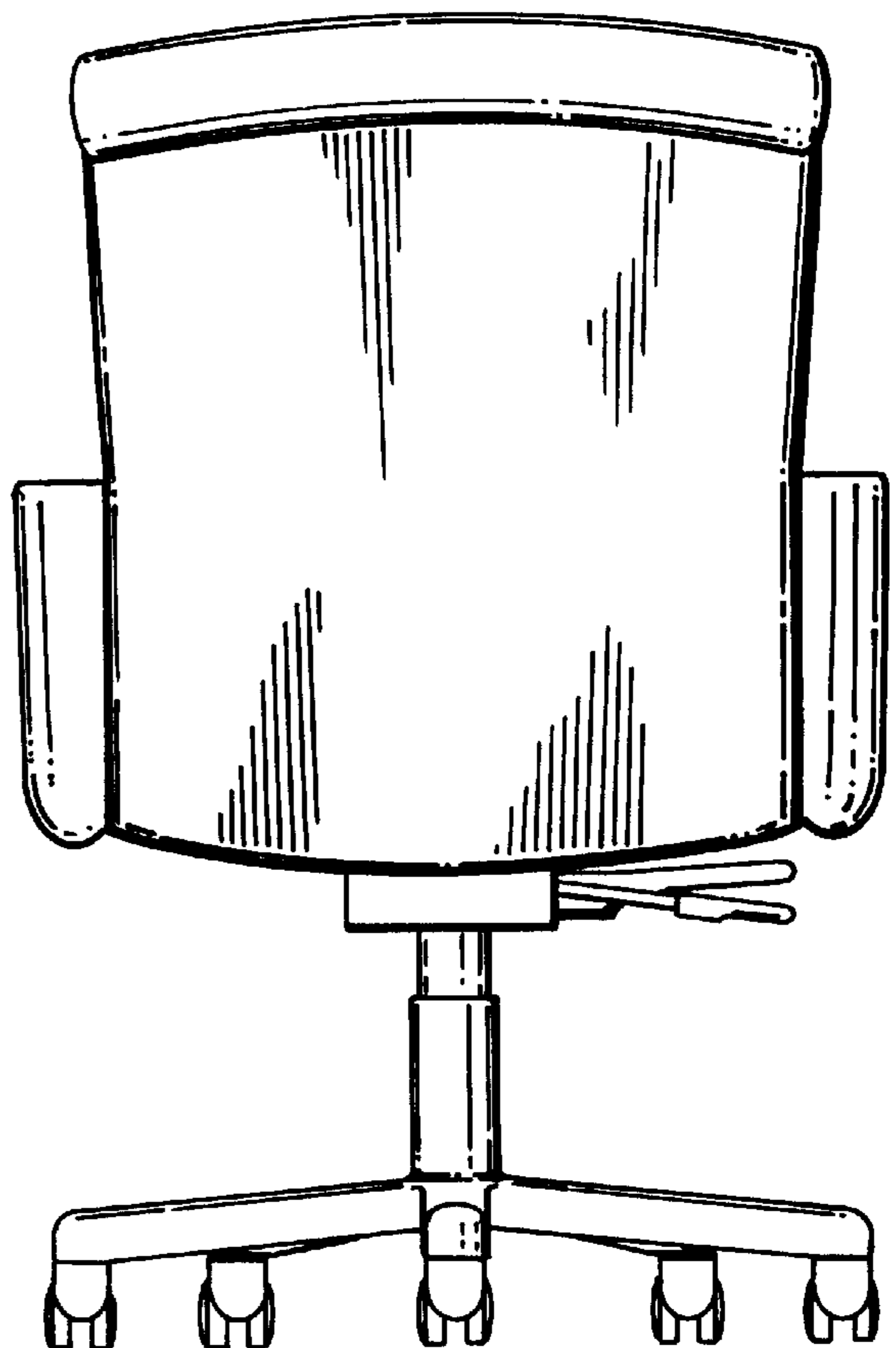


FIG. 4.

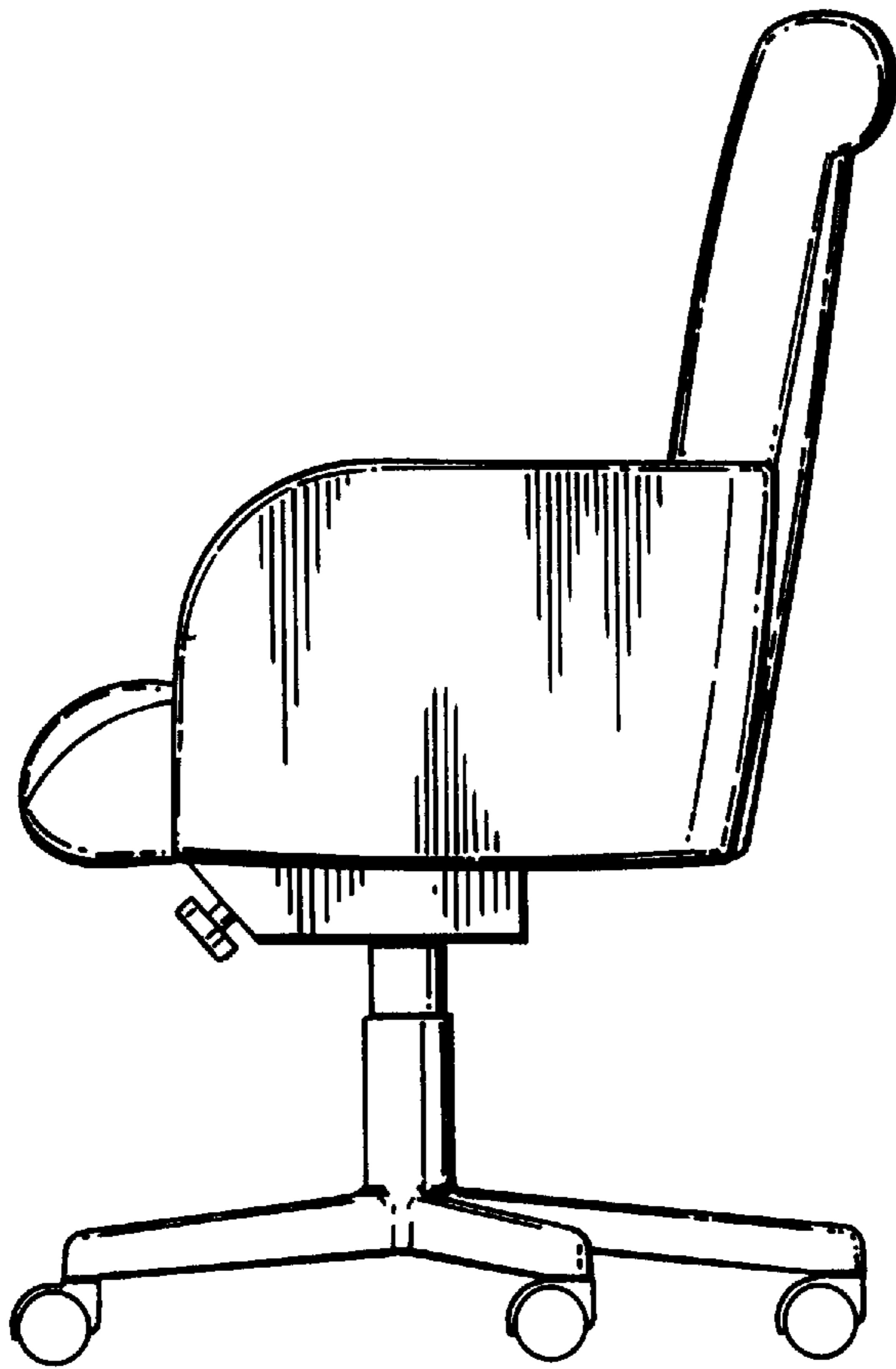


FIG. 5.

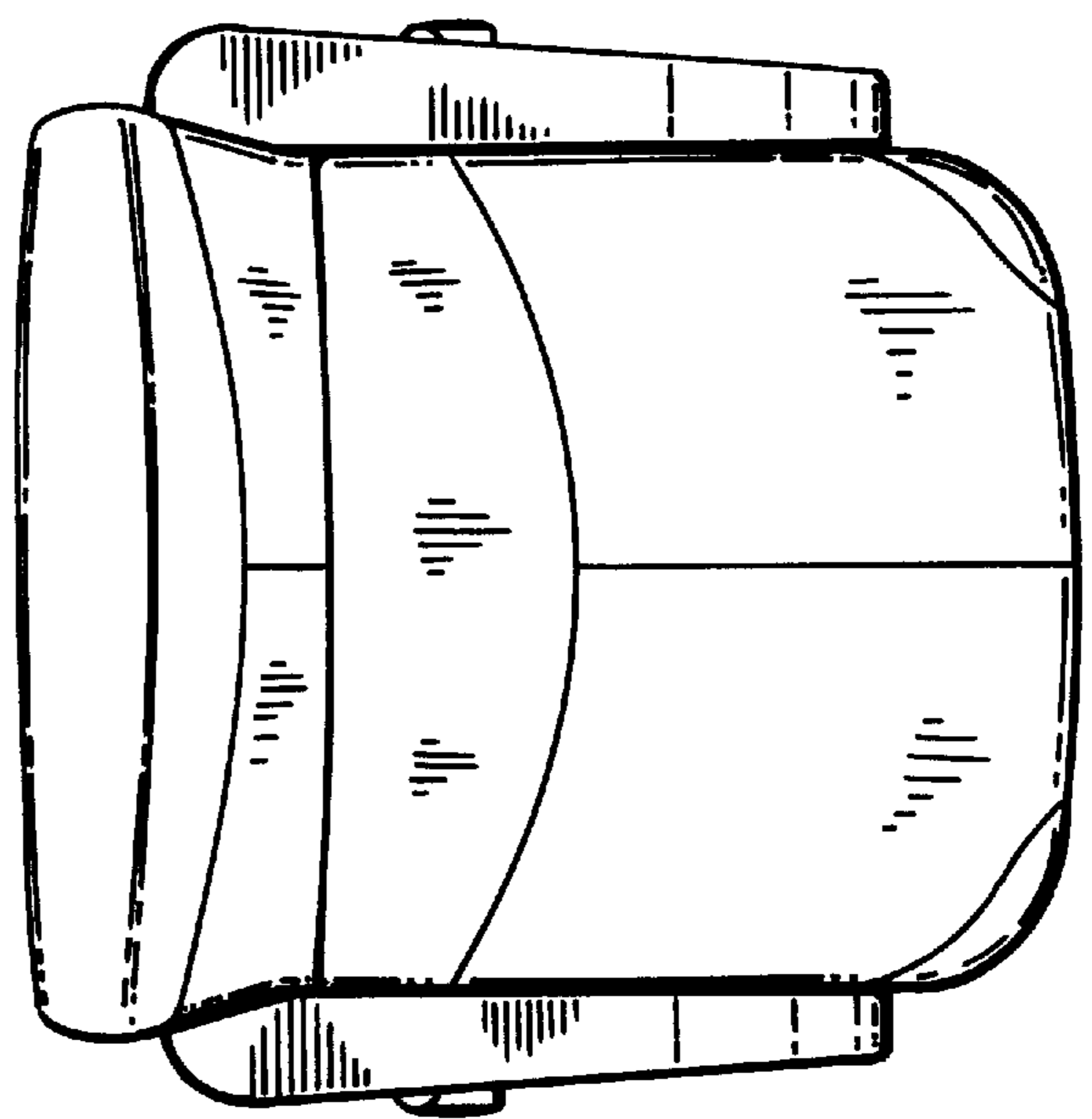


FIG. 6.