



US00D401426S

United States Patent [19]

Hu et al.

[11] **Patent Number: Des. 401,426**

[45] **Date of Patent: **Nov. 24, 1998**

[54] **SKATE AND FOOTWEAR FITTING STATION**

2,969,829 1/1961 Henry 297/423.14 X

[75] Inventors: **Antonio Hu**, Menlo Park; **Louis Hsiao**, Palo Alto, both of Calif.

OTHER PUBLICATIONS

Trim Corp. of America 1996 Catalog, p. 83.
Rollerblade Inc. 1995 Premier Retail Merchandising Planner.

[73] Assignee: **Concept Designs Inc**, Mt View, Calif.

Primary Examiner—Janice E. Seeger

[**] Term: **14 Years**

[21] Appl. No.: **62,592**

[57] CLAIM

[22] Filed: **Nov. 19, 1996**

The ornamental design for a skate and footwear fitting station, as shown and described.

[51] **LOC (6) Cl.** **06-01**

DESCRIPTION

[52] **U.S. Cl.** **D6/349**

[58] **Field of Search** D6/349, 350, 352, D6/353, 335, 397; 297/195.11, 423.1, 423.14, 423.15, 423.16, 423.29, 423.41, 423.46

FIG. 1 is a perspective view of a skate and footwear fitting station, showing our new design;

FIG. 2 is a top plan view;

FIG. 3 is a side elevational view, the opposite side being a mirror image thereof; and,

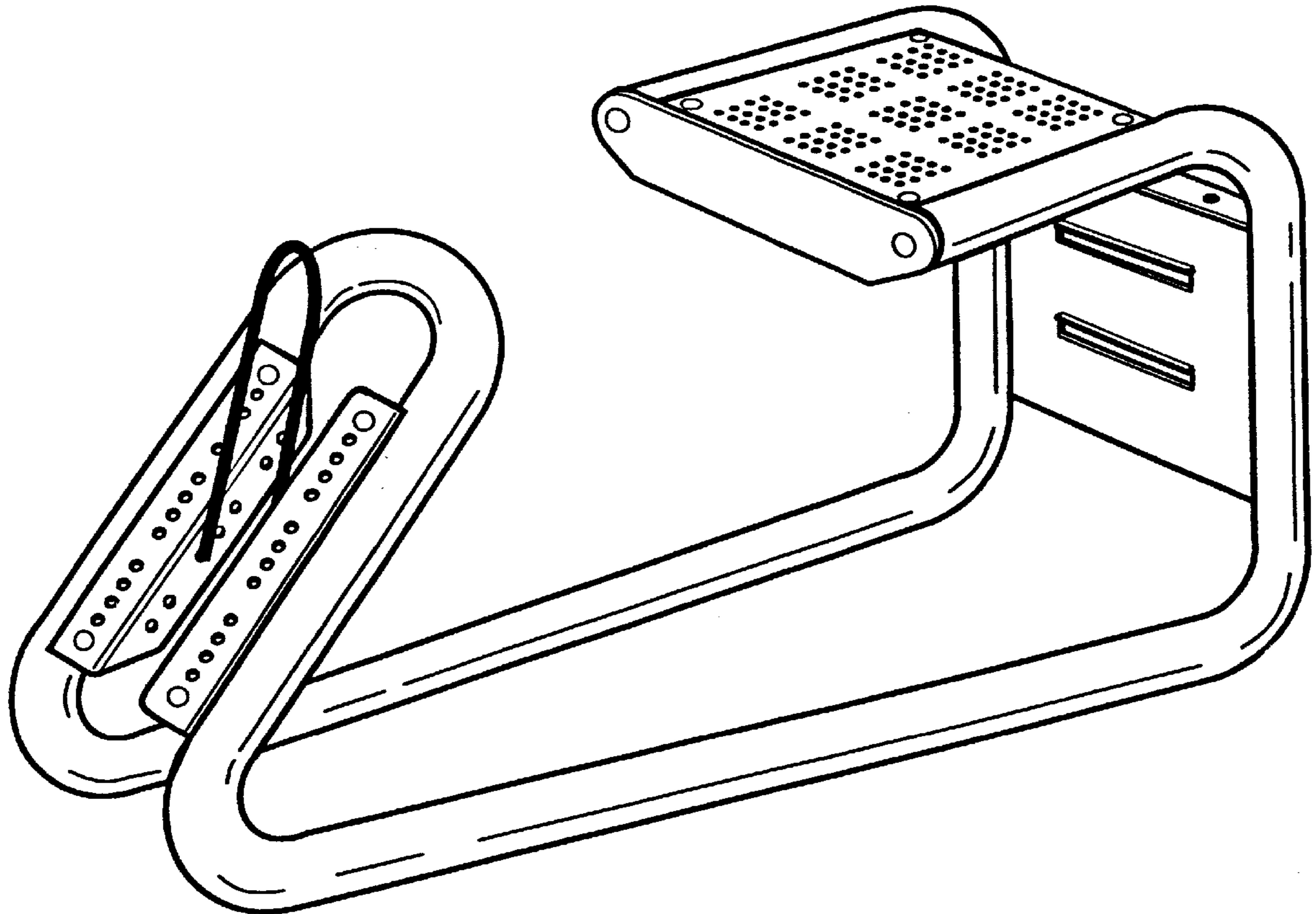
FIG. 4 is a rear elevational view thereof.

[56] References Cited

U.S. PATENT DOCUMENTS

D. 202,984 11/1965 House D6/349
2,102,261 12/1937 Fotre 297/423.14

1 Claim, 4 Drawing Sheets



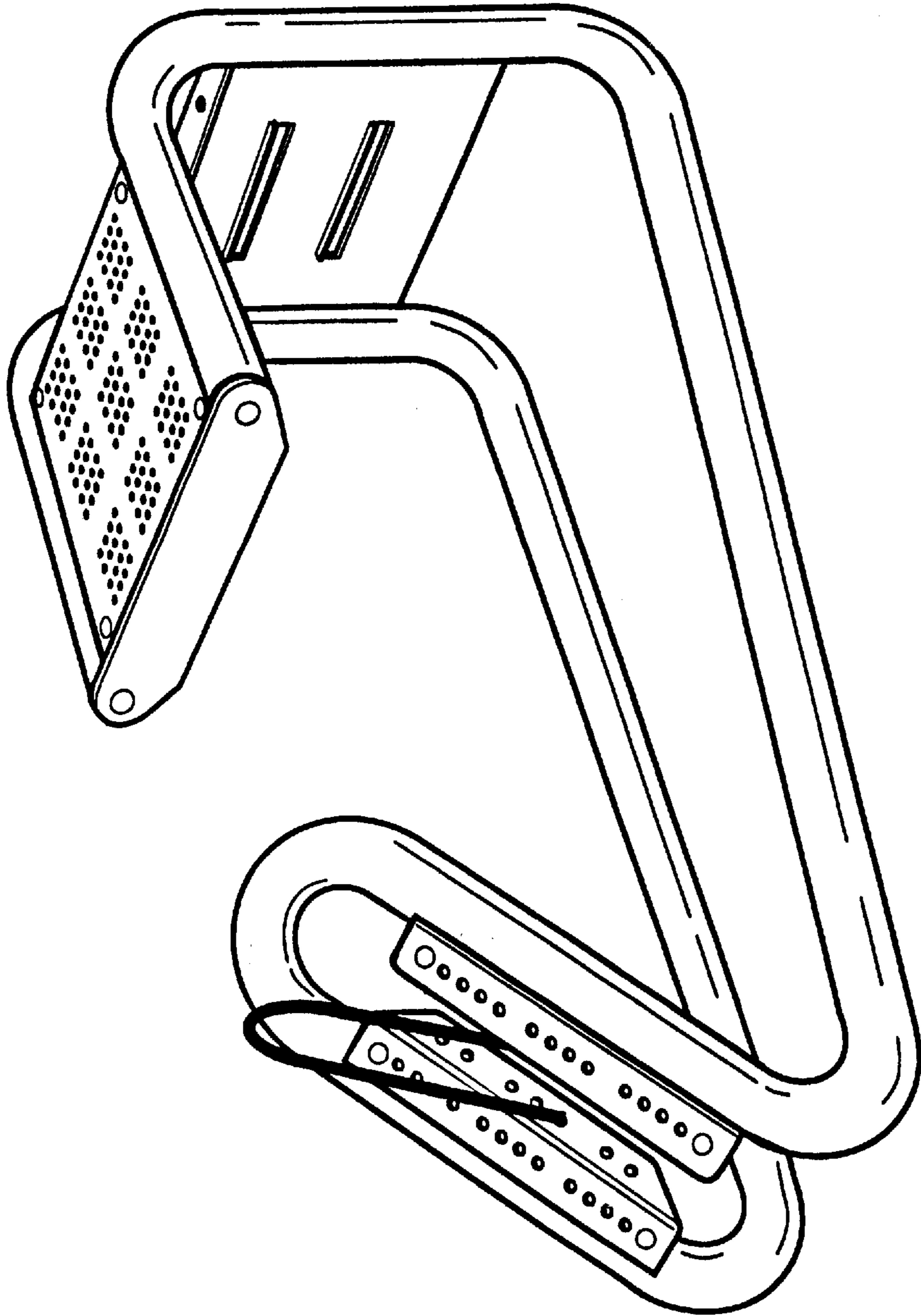


Fig. 1

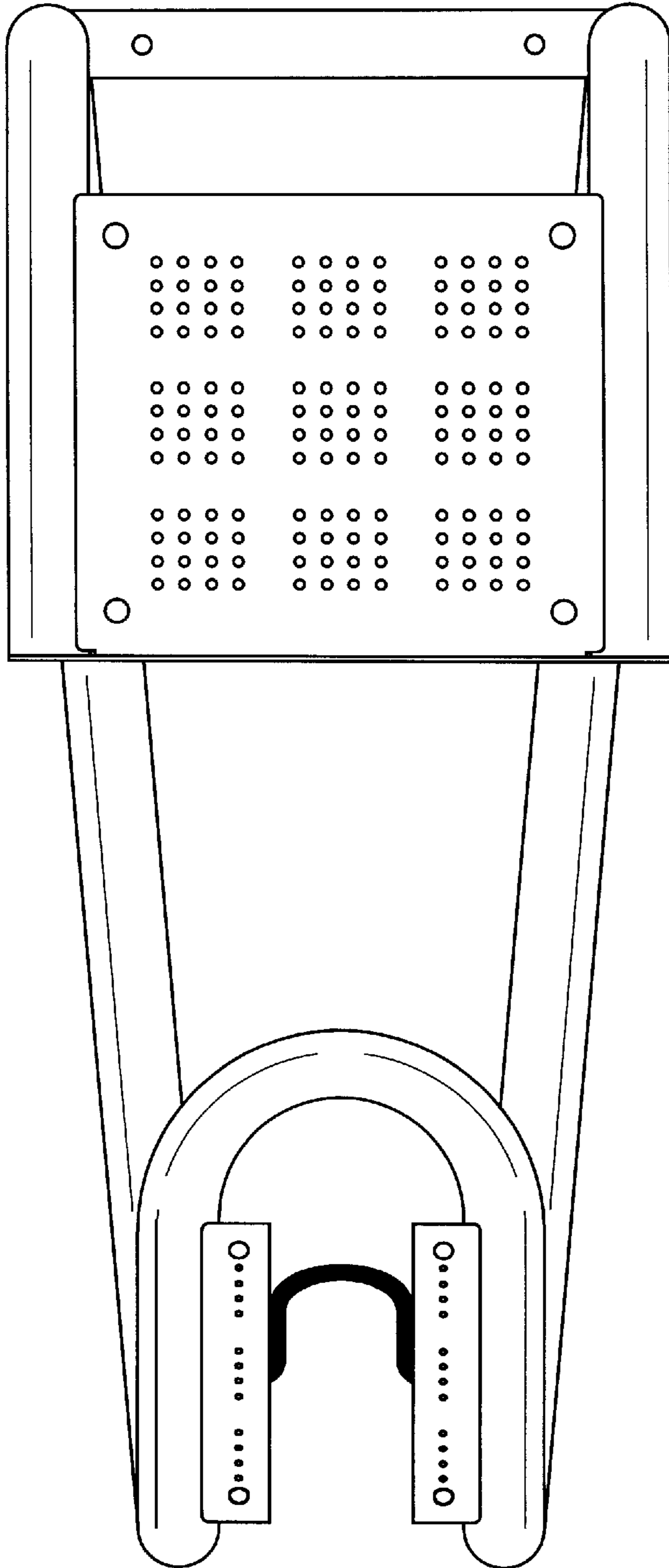


Fig. 2

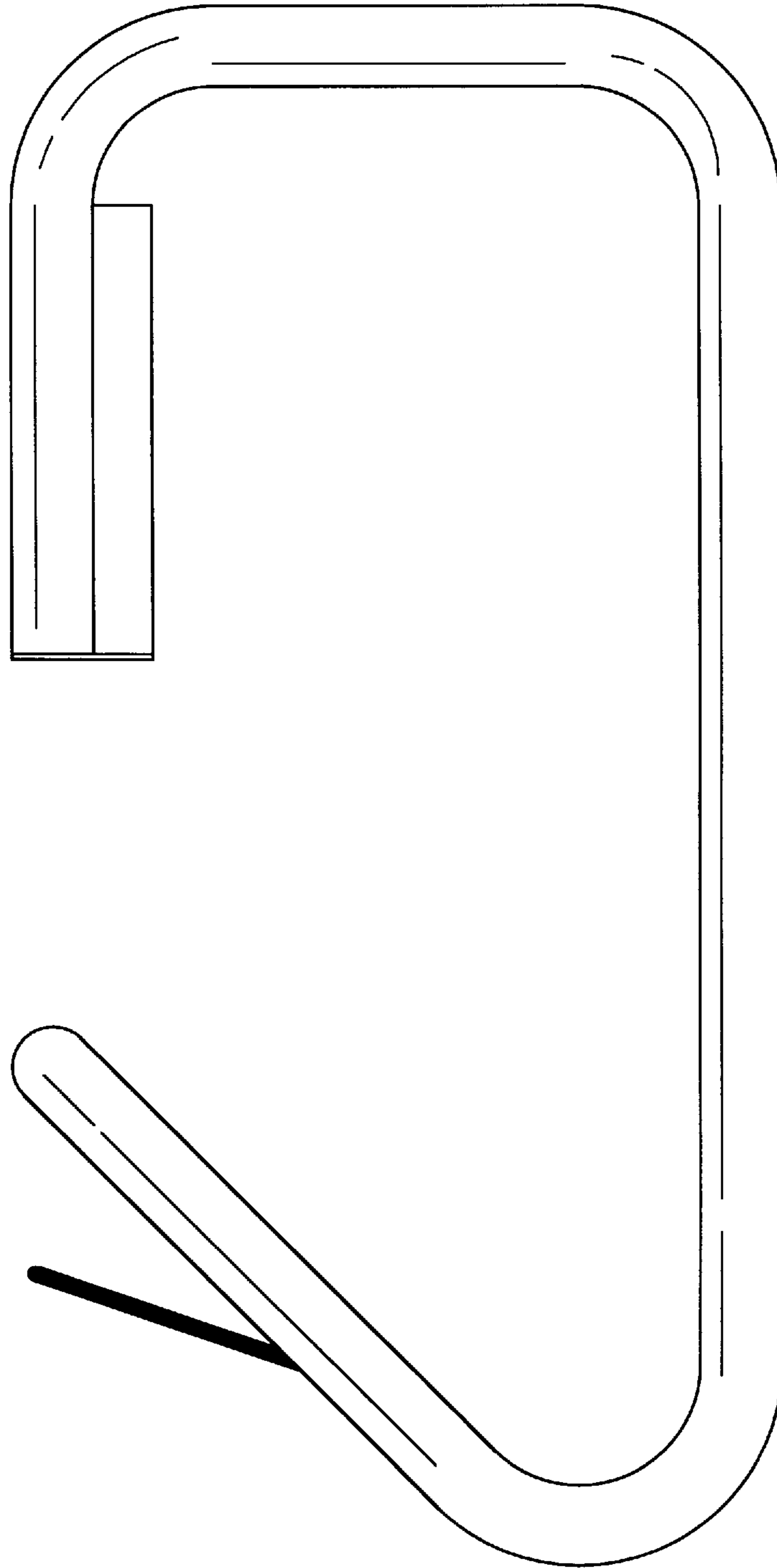


Fig. 3

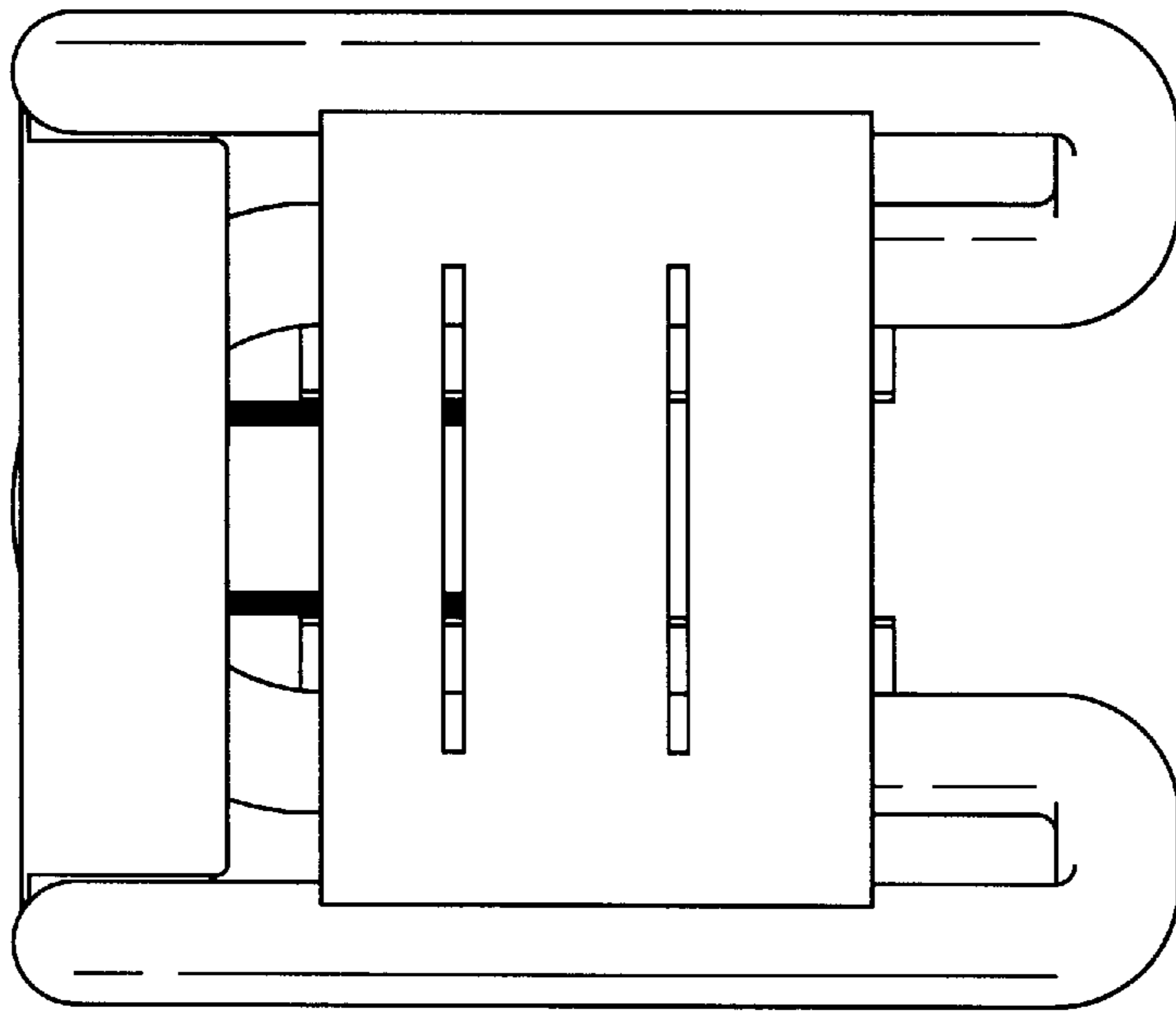


Fig. 4