



US00D401424S

United States Patent [19]
Ogo et al.

[11] **Patent Number: Des. 401,424**

[45] **Date of Patent: **Nov. 24, 1998**

[54] **MODULAR FURNITURE UNIT**

D. 271,923 12/1983 Thompson D6/485

[76] Inventors: **Tatsujiro Ogo**, 3-232 Mozuryonan-Cho, Sakai-shi, Osaka; **Kiyoshi Suzuki**, 1-215, Sengen-Cho, Ohmiya-City, Saitama, both of Japan

OTHER PUBLICATIONS

David Kay, center insert, #D at far left and bottom.
Lilian Vernon, Jun. 1991, p. 25, planter at top left.
Quality Aluminum Products, #YS 5901.
Plow and Hearth, Fall 1991, p.3, Composter in center.

[**] Term: **14 Years**

Primary Examiner—Janice E. Seeger
Attorney, Agent, or Firm—Todd N. Hathaway

[21] Appl. No.: **68,477**

[57] **CLAIM**

[22] Filed: **Mar. 21, 1997**

[51] **LOC (6) Cl.** **06-06**

The ornamental design for a modular furniture unit, as shown and described.

[52] **U.S. Cl.** **D6/329; D6/495; D6/480; D11/155**

DESCRIPTION

[58] **Field of Search** D6/480-489, 495, D6/511, 429, 430, 329; 108/150, 153, 155, 156, 157, 161; 248/188, 188.1; D11/155

FIG. 1 is a front perspective view of a modular furniture unit showing our new design the rear being identical thereto and the side not shown being the same as that shown; FIG. 2 is a top plan view thereof the bottom being identical thereto; and, FIG. 3 is a front elevational view thereof.

[56] **References Cited**

U.S. PATENT DOCUMENTS

D. 232,812 9/1974 Ogle D11/155
D. 237,729 11/1975 Coppa D6/484

1 Claim, 1 Drawing Sheet

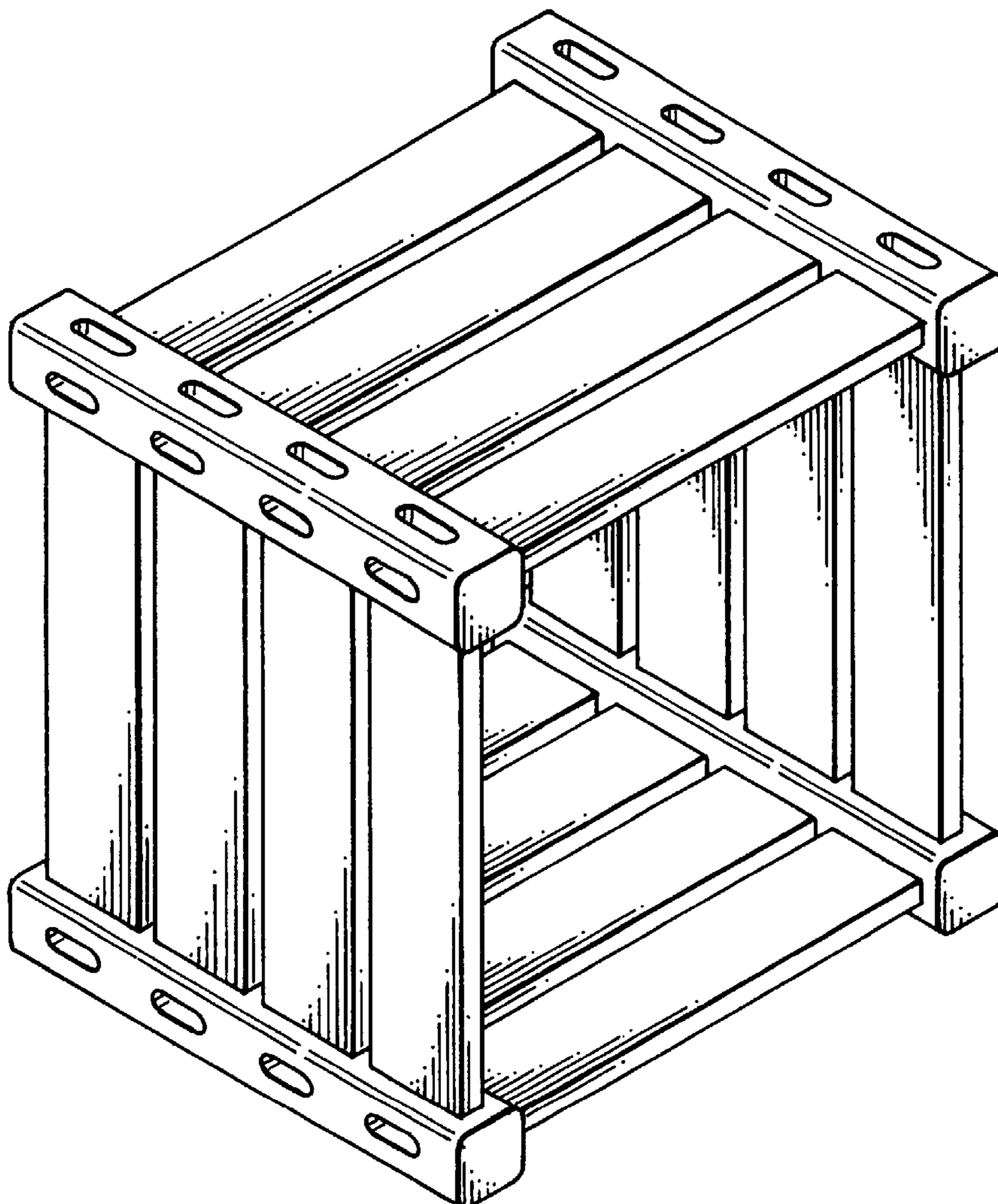


FIG. 1

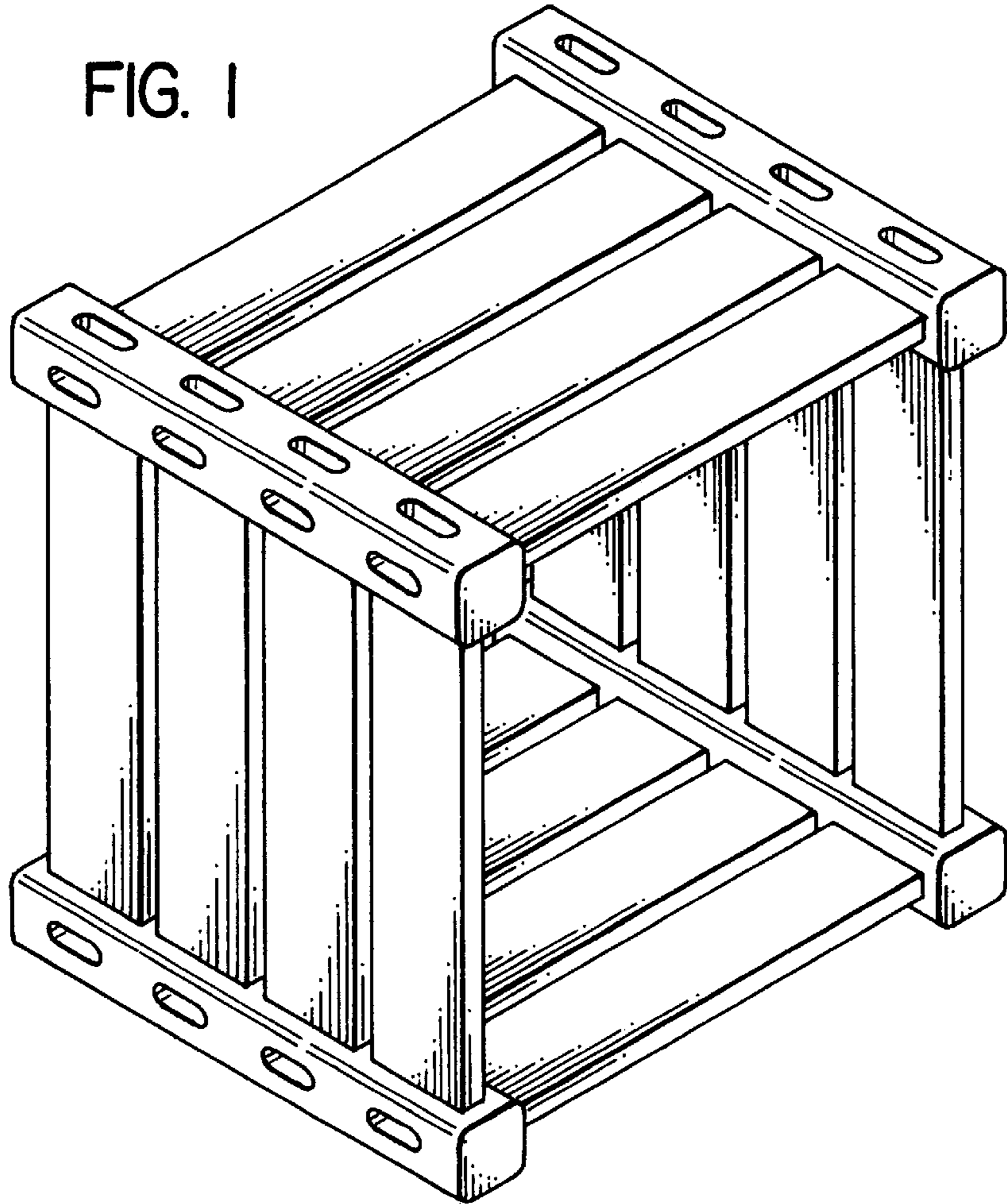


FIG. 2

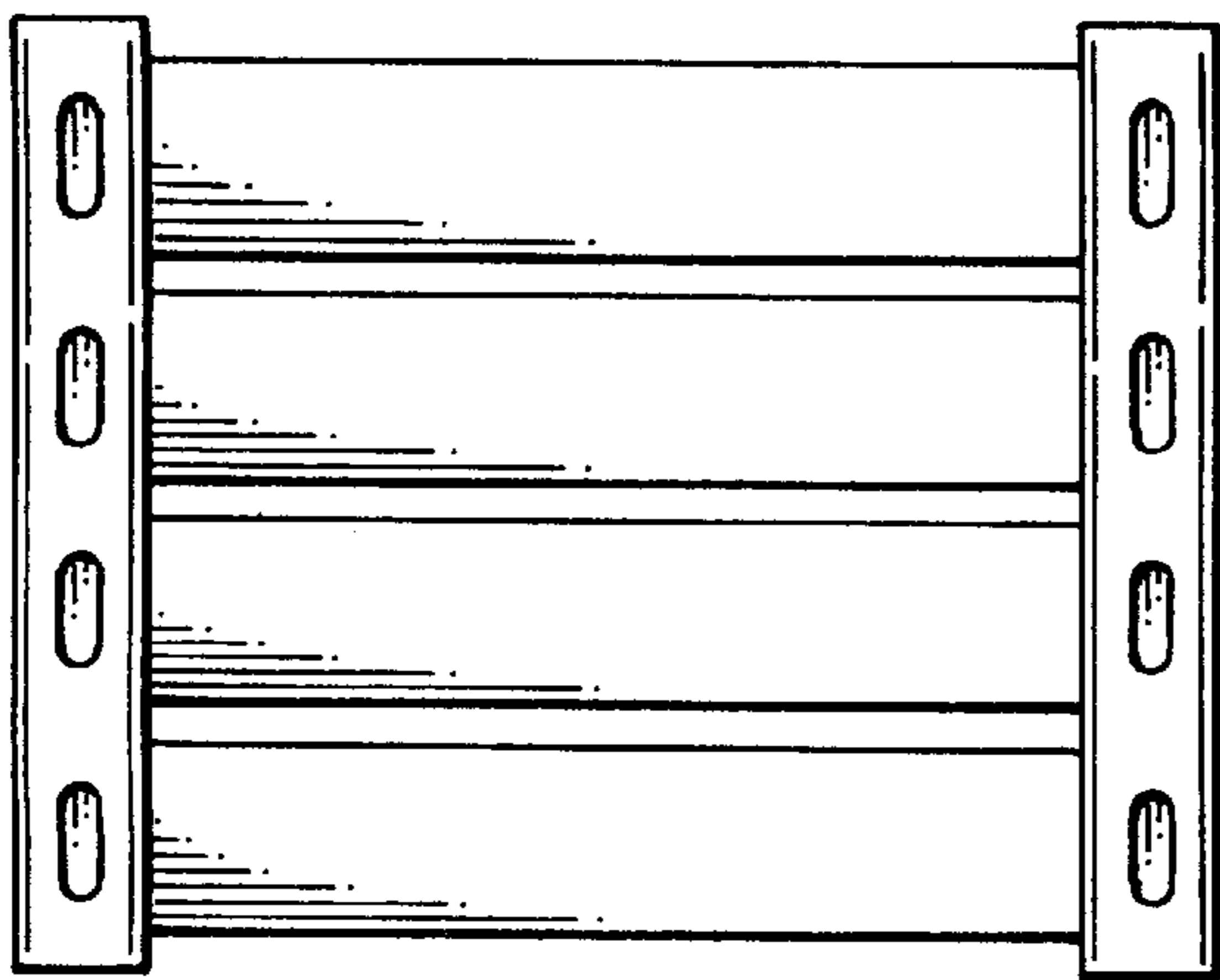


FIG. 3

