



US00D401413S

United States Patent [19]

Porter

[11] **Patent Number: Des. 401,413**

[45] **Date of Patent: **Nov. 24, 1998**

[54] **TOOTHBRUSH WITH HANDLE**

[76] Inventor: **Timothy R. Porter**, P.O. Box 8007,
Tulsa, Okla. 74101-8007

[**] Term: **14 Years**

[21] Appl. No.: **73,172**

[22] Filed: **Jul. 2, 1997**

Related U.S. Application Data

[62] Division of Ser. No. 56,935, Jul. 11, 1996, Pat. No. Des. 389,312, which is a division of Ser. No. 35,092, Feb. 21, 1995, Pat. No. Des. 373,474.

[51] **LOC (6) Cl. 04-02**

[52] **U.S. Cl. D4/104**

[58] **Field of Search** D4/104-112, 134,
D4/138; D8/83; 15/143.1, 159.1, 167.1,
176.1; 132/311; 601/141, 142

[56] References Cited

U.S. PATENT DOCUMENTS

D. 241,891 10/1976 Gilbert et al. D4/104

D. 278,661 5/1985 Gelsen D4/104
1,860,911 5/1932 Trimble 15/176.1 X
3,343,577 9/1967 Wagner D8/83 X
5,617,884 4/1997 Allison D4/108 X

Primary Examiner—Alan P. Douglas
Assistant Examiner—Lavone D. Tabor
Attorney, Agent, or Firm—Head, Johnson & Kachigian

[57] CLAIM

The ornamental design for a toothbrush with handle, as shown and described.

DESCRIPTION

FIG. 1 is a front view of a toothbrush with handle showing my new design;

FIG. 2 is a left side elevational view thereof;

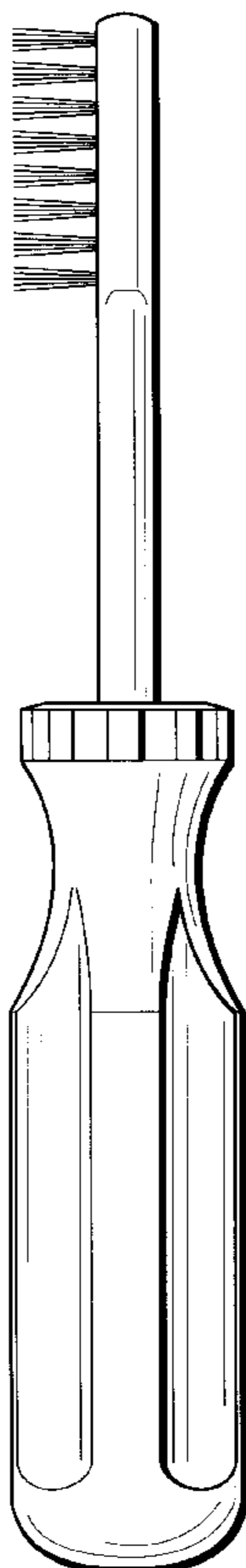
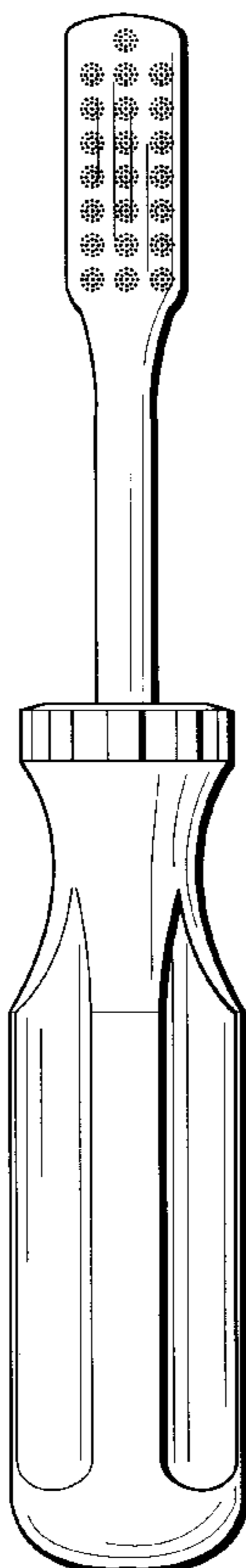
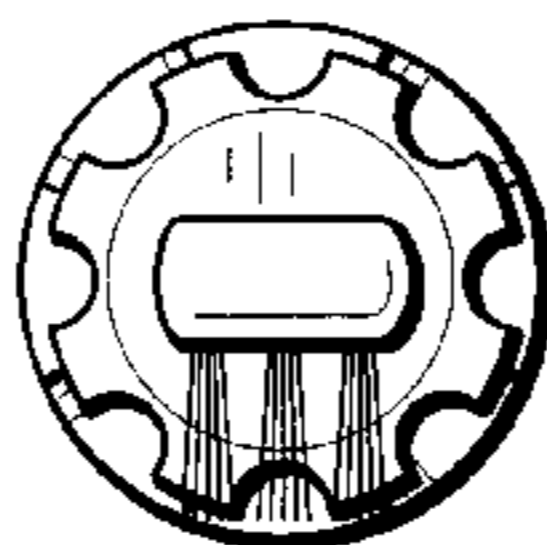
FIG. 3 is a top view thereof;

FIG. 4 is a bottom elevational view thereof; and,

FIG. 5 is a rear elevational view thereof.

The right side elevational view is a mirror image the left side elevational view in FIG. 2.

1 Claim, 1 Drawing Sheet



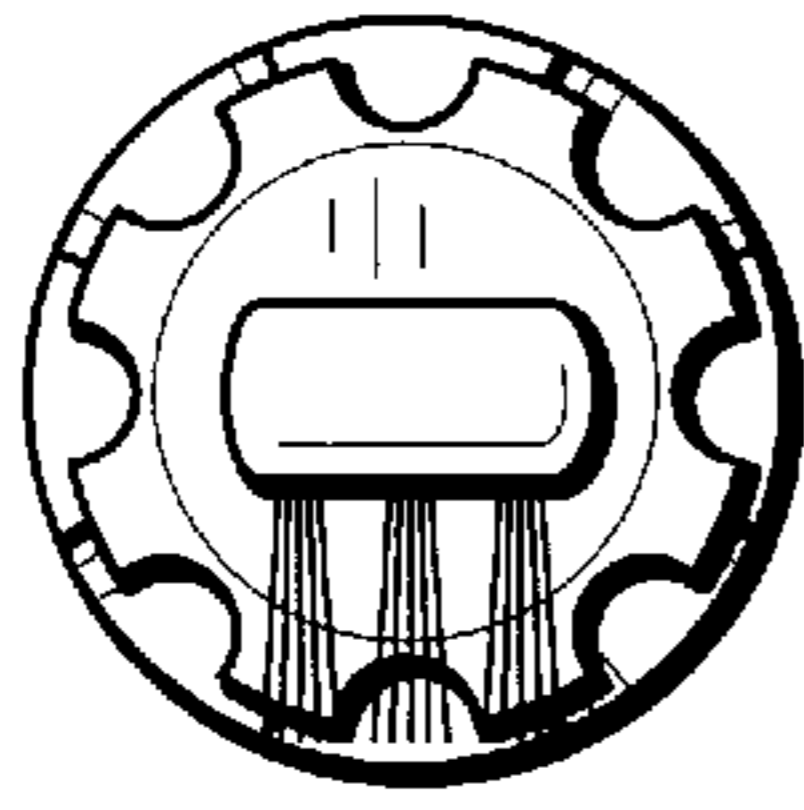


Fig. 3

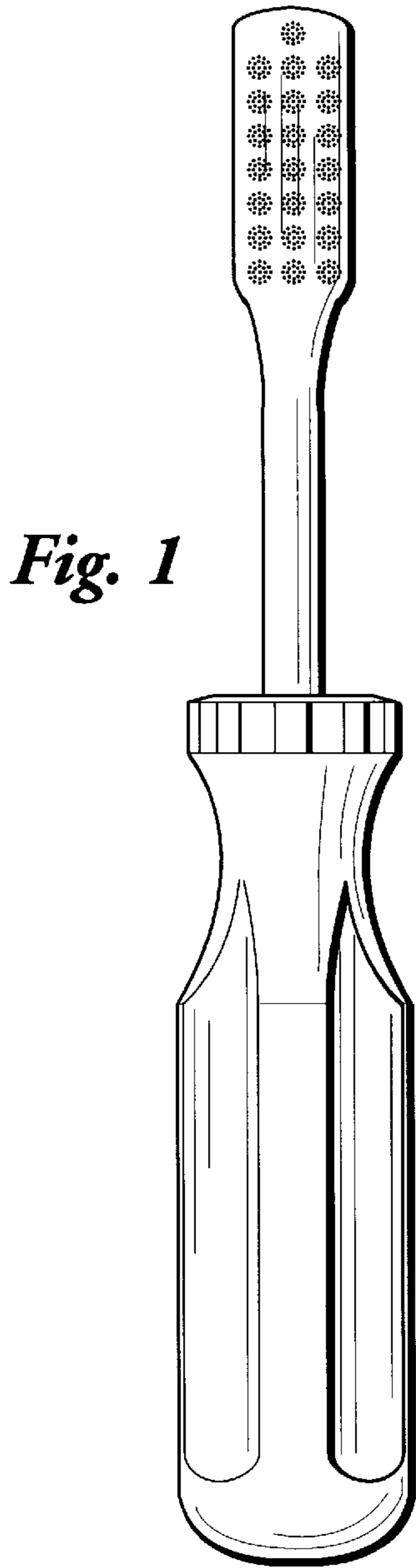


Fig. 1

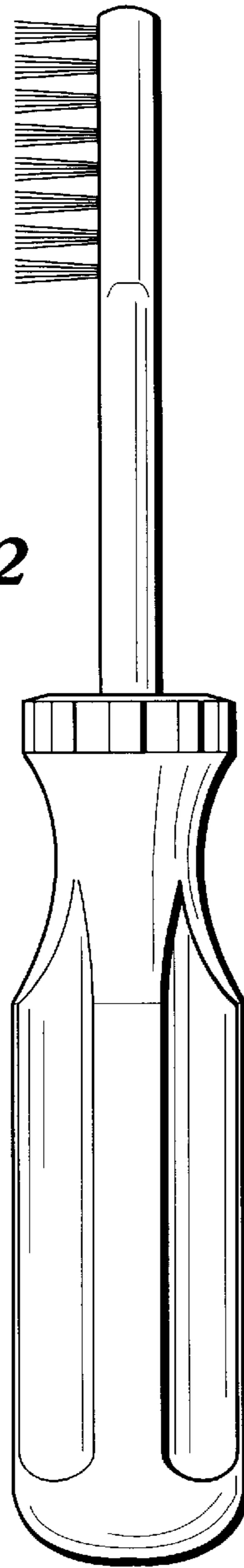


Fig. 2

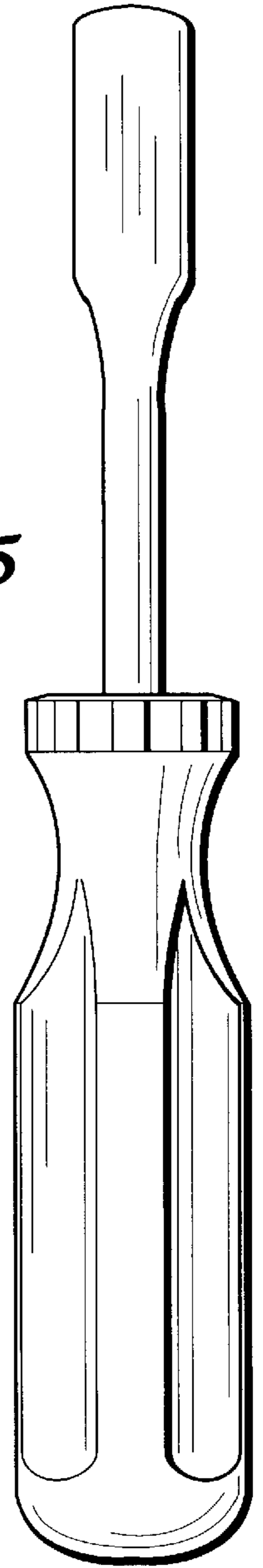


Fig. 5

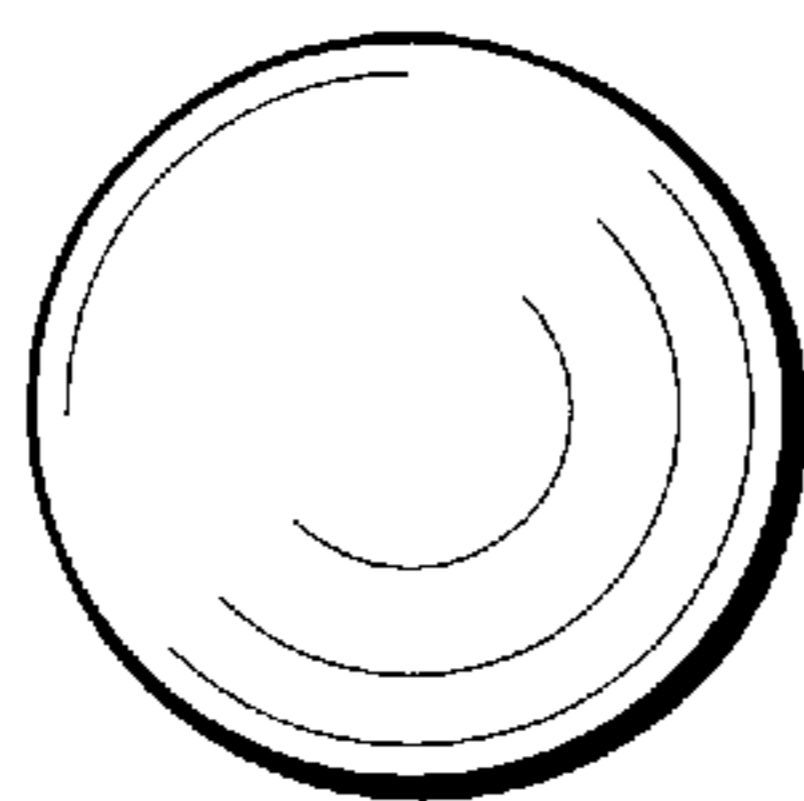


Fig. 4