



US00D401409S

United States Patent [19] Yemini

[11] **Patent Number: Des. 401,409**

[45] **Date of Patent: **Nov. 24, 1998**

[54] **TOOL BOX**

[75] Inventor: **Zvi Yemini**, Tel Aviv, Israel

[73] Assignee: **ZAG Industries LTD.**, Rosh Haayin, Israel

[**] Term: **14 Years**

[21] Appl. No.: **70,618**

[22] Filed: **May 12, 1997**

[51] **LOC (6) Cl.** **03-01**

[52] **U.S. Cl.** **D3/281**

[58] **Field of Search** D3/273, 274, 281,
D3/282, 276, 294, 295, 905; 206/315.1,
349, 372, 373

[56] **References Cited**

U.S. PATENT DOCUMENTS

- D. 328,818 8/1992 Hanna et al. D3/281
- D. 328,819 8/1992 Hanna et al. D3/281

- D. 352,393 11/1994 Fiore D3/905
- D. 361,888 9/1995 Kahl et al. D3/905
- D. 367,958 3/1996 Tisbo et al. D3/281
- D. 378,874 4/1997 Dickinson et al. D3/281
- D. 379,266 5/1997 Dickinson et al. D3/281
- 5,386,907 2/1995 Kahl et al. 206/372

Primary Examiner—Philip S. Hyder
Attorney, Agent, or Firm—Mark M. Friedman

[57] **CLAIM**

The ornamental design for a tool box, as shown.

DESCRIPTION

FIG. 1 is a front view showing the tool box;
FIG. 2 is a top view of the tool box;
FIG. 3 is a side view of the tool box;
FIG. 4 is a rear view of the tool box;
FIG. 5 is a bottom view of the toll box; and,
FIG. 6 is a perspective view of the tool box.

1 Claim, 6 Drawing Sheets

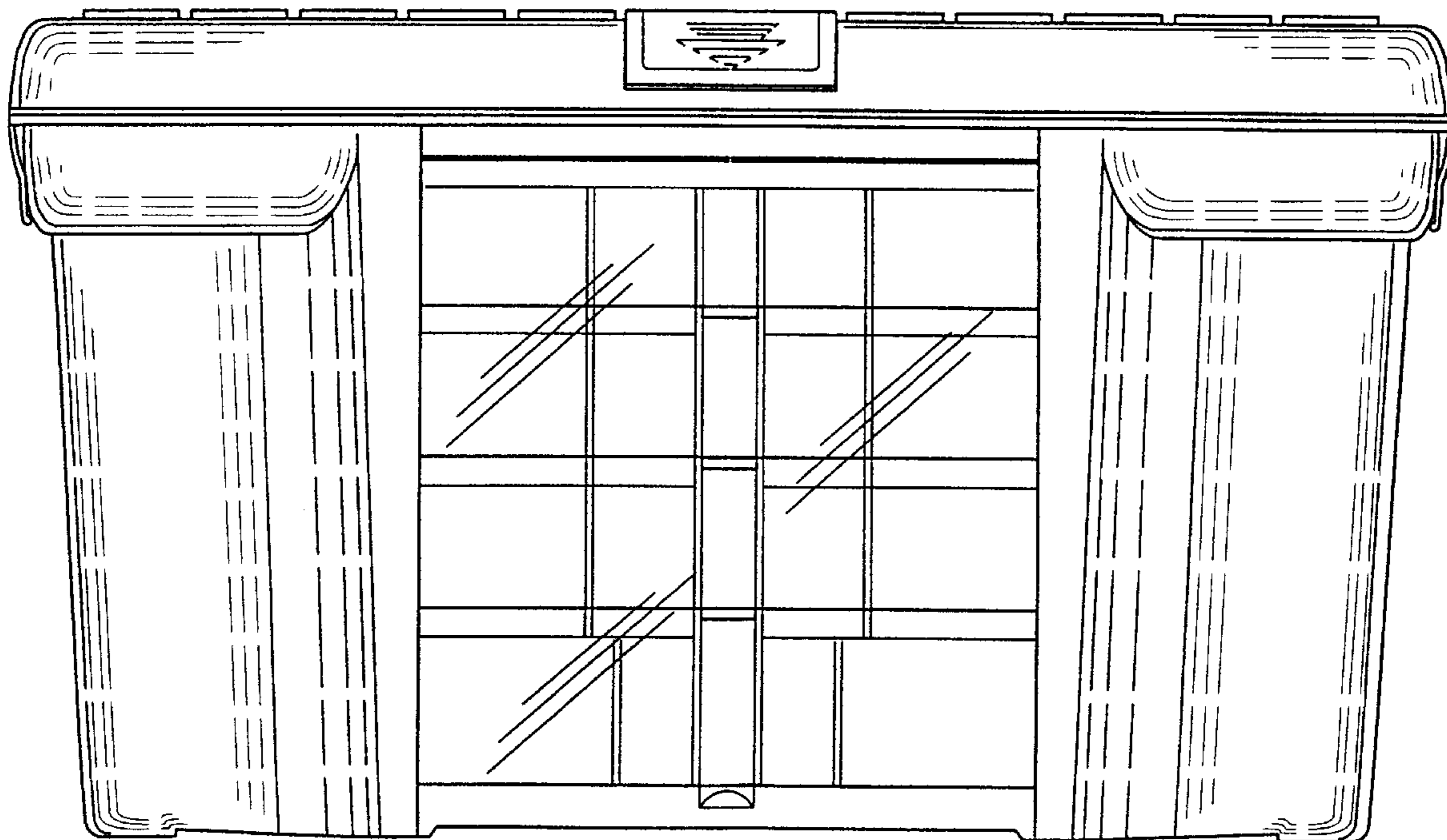


Fig. 1

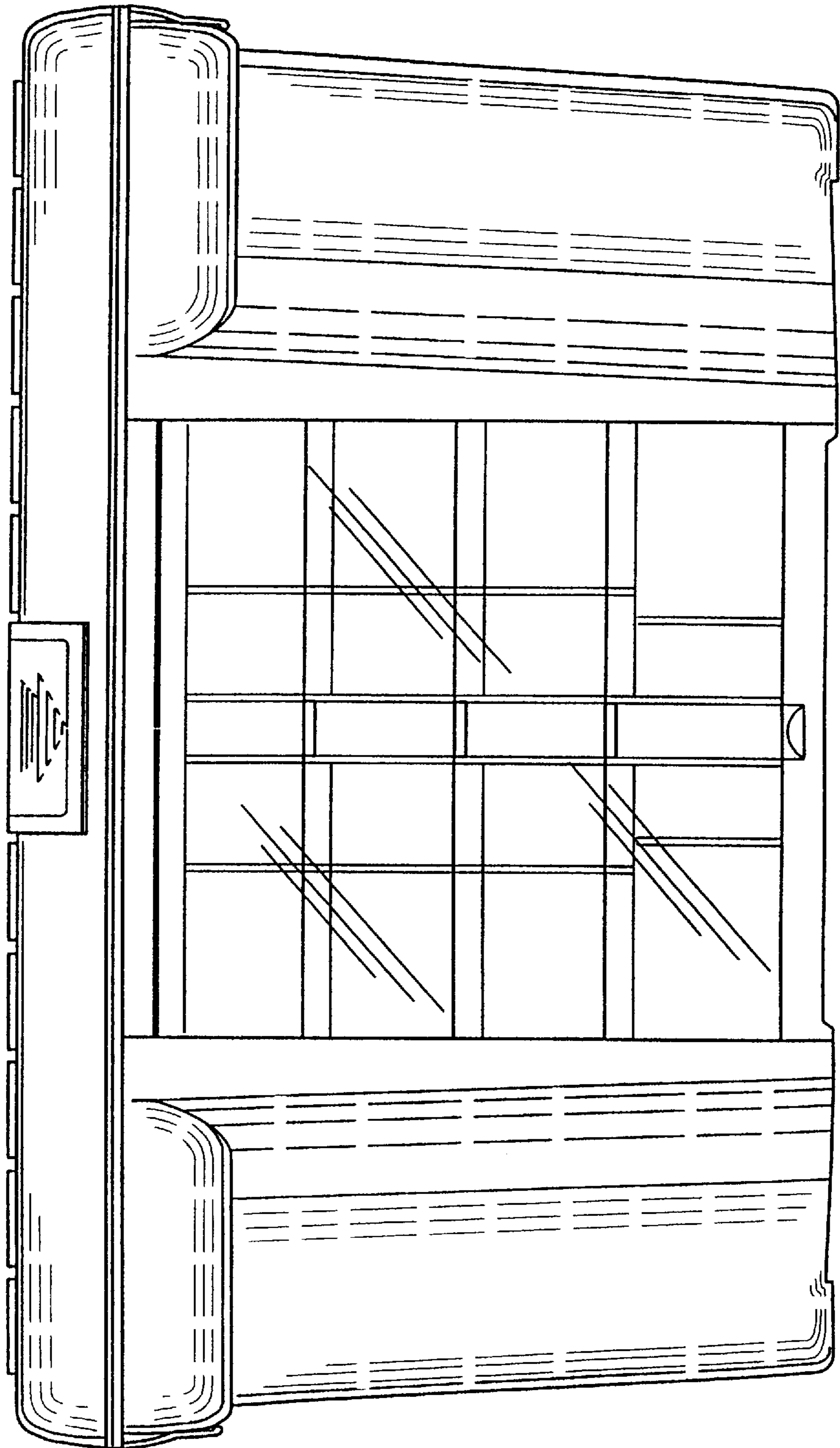


Fig. 2

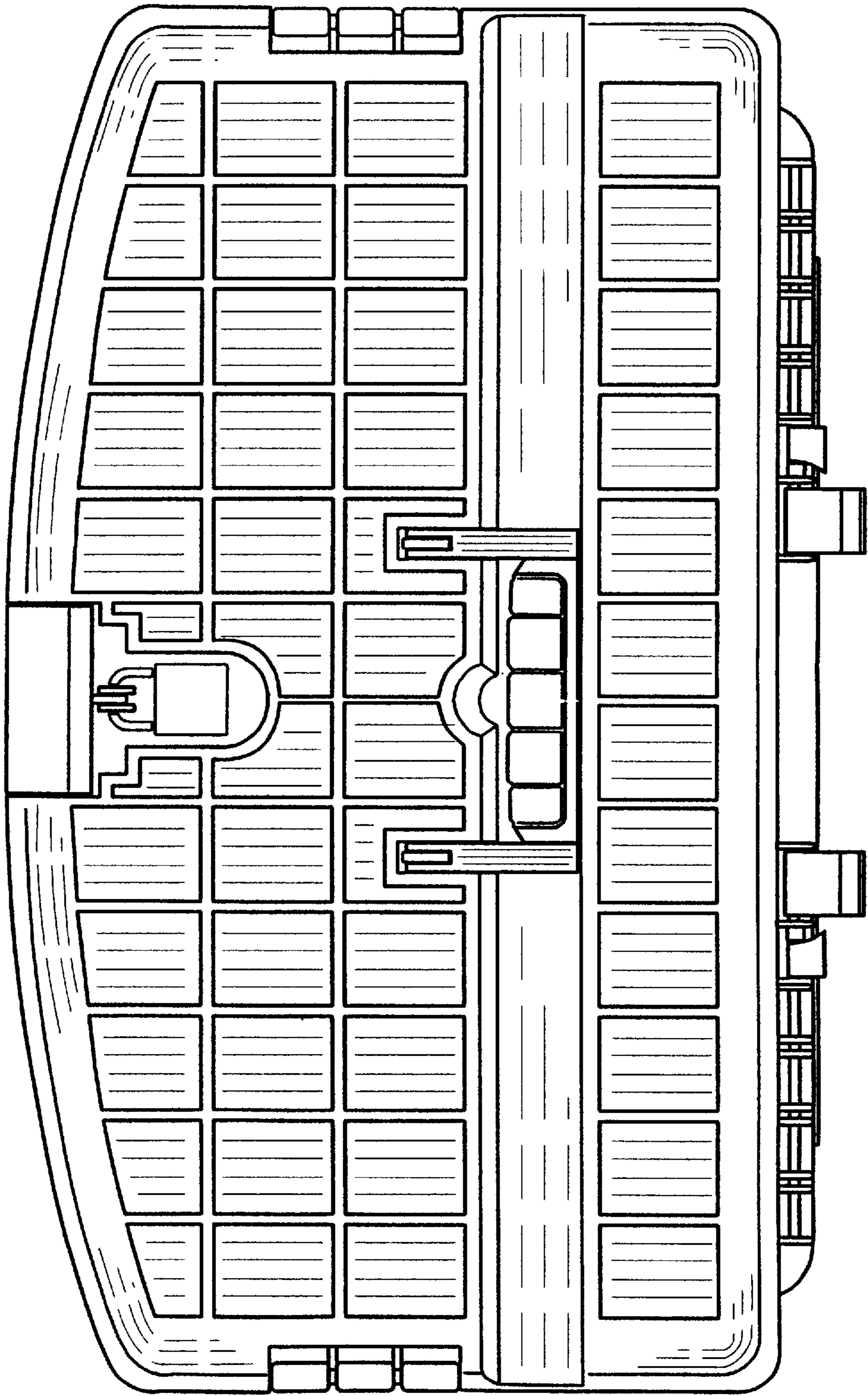


Fig. 3

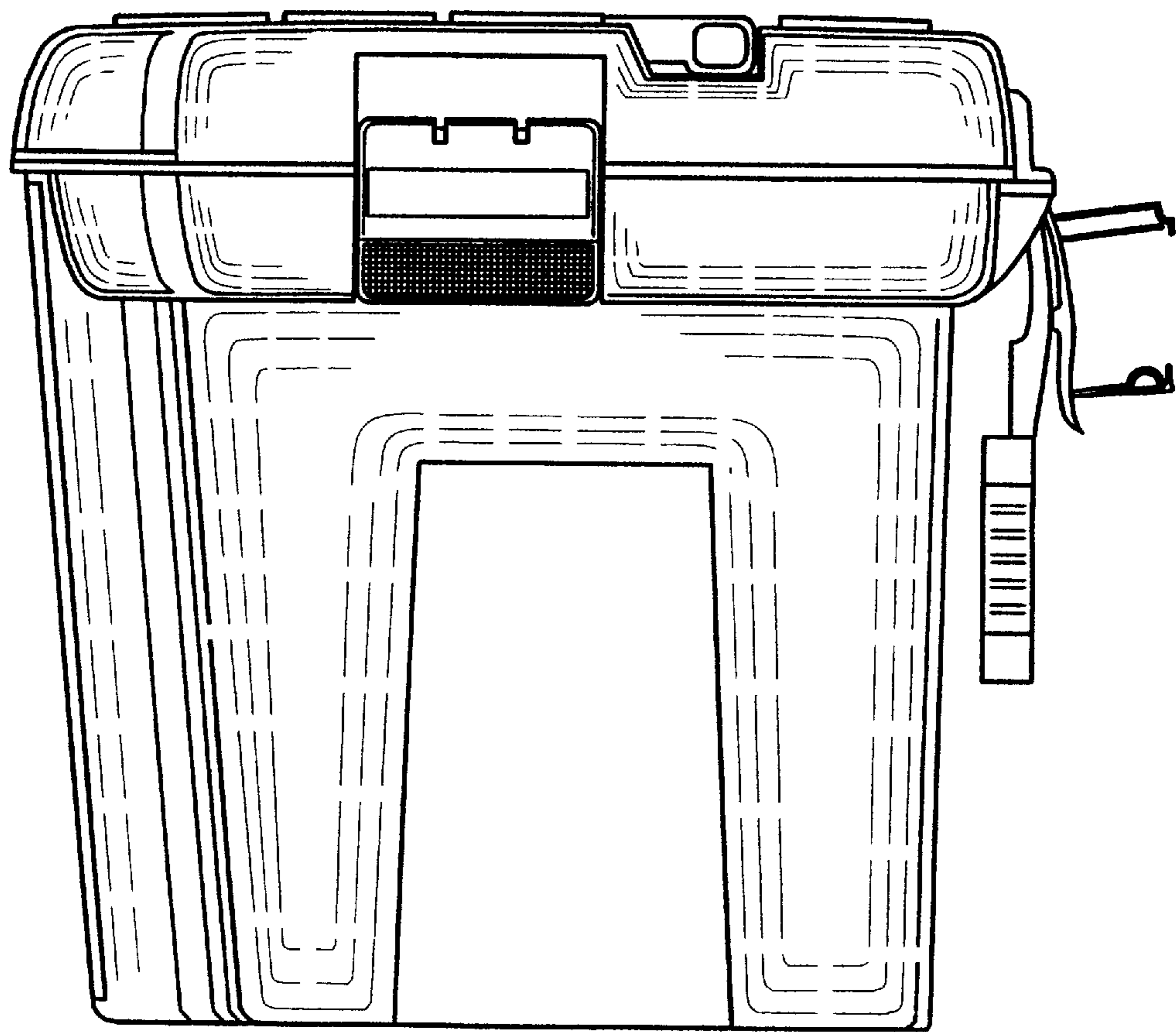


Fig. 4

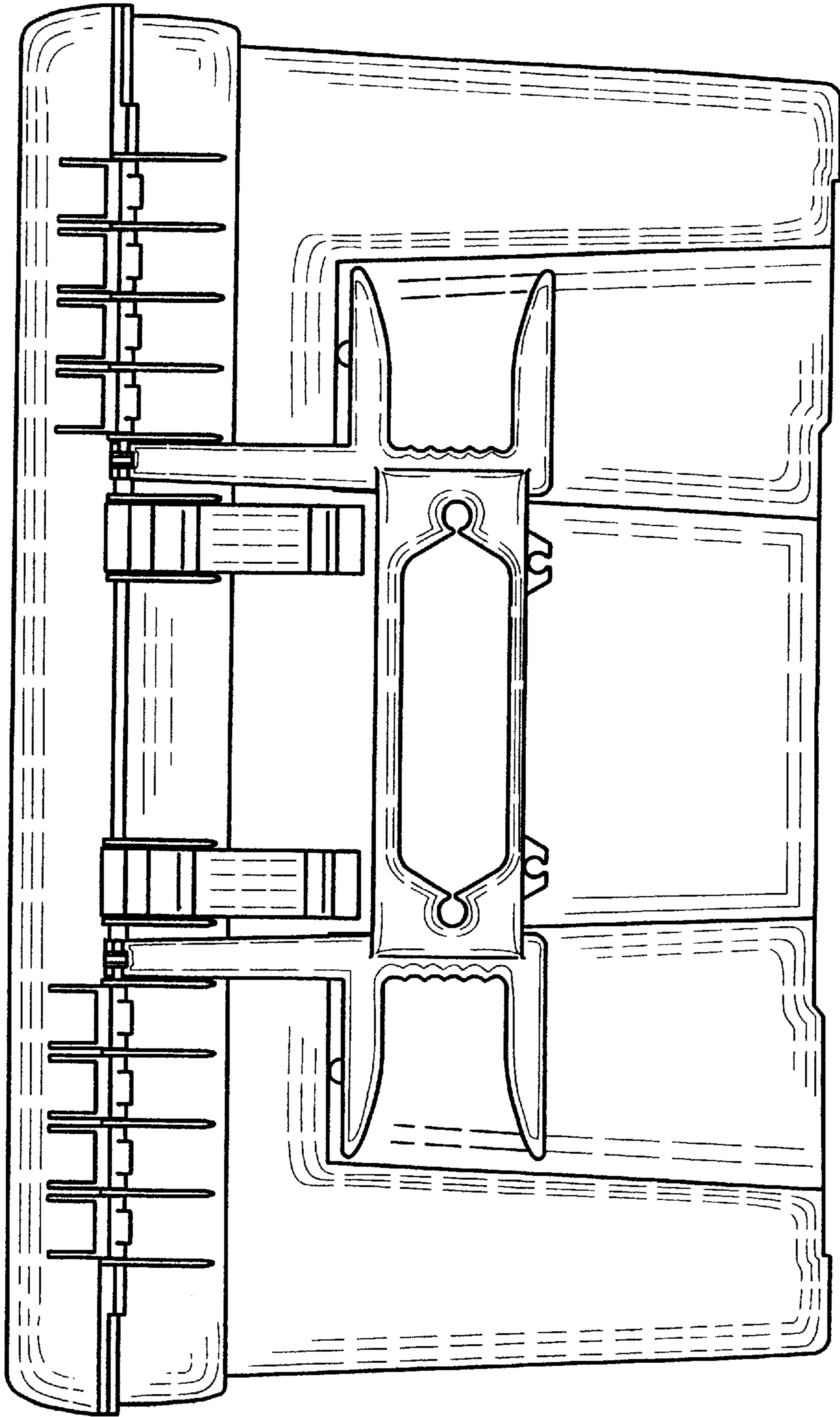


Fig. 5

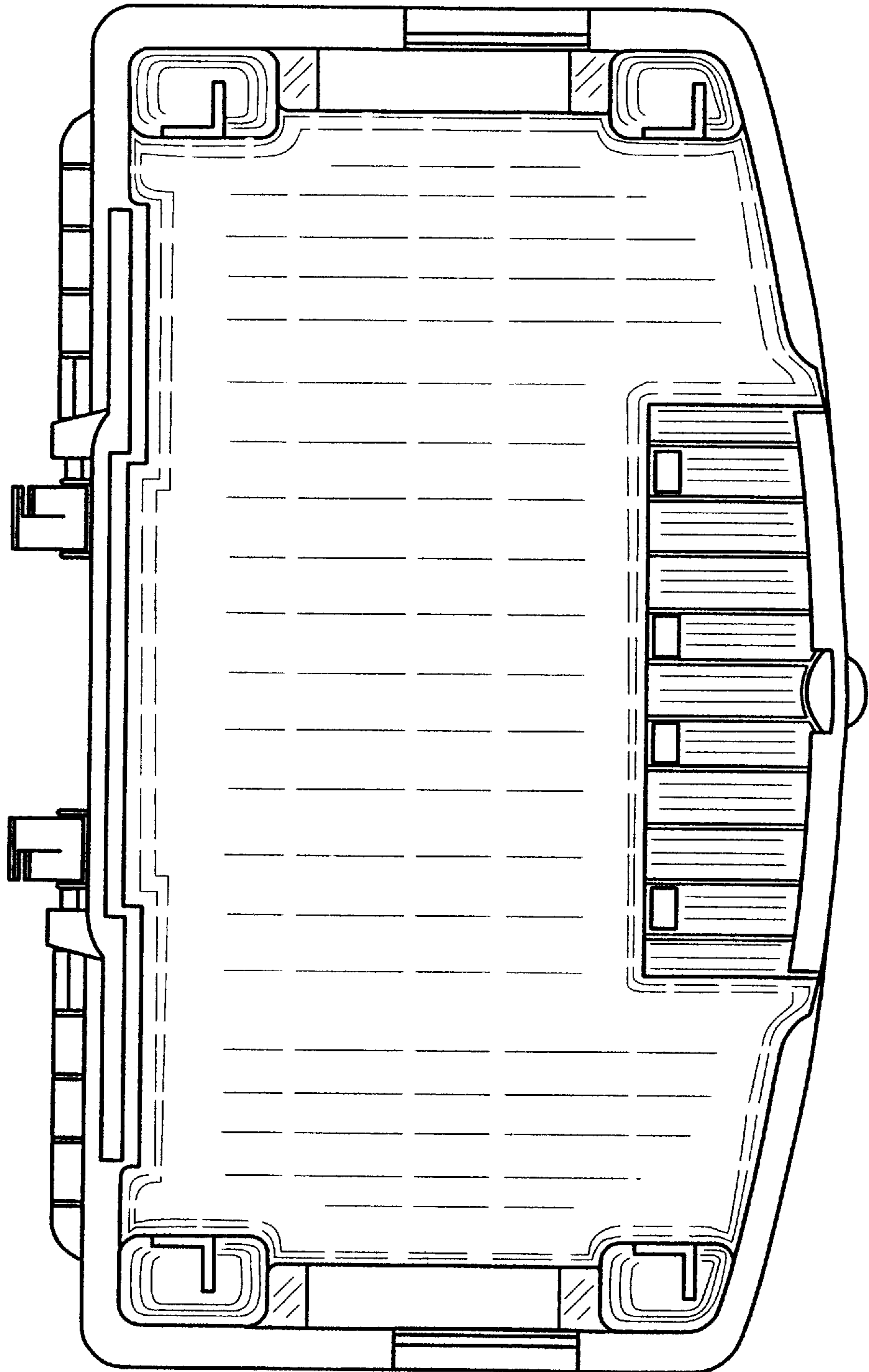


Fig. 6

