



US00D401407S

United States Patent [19]

[11] **Patent Number: Des. 401,407**

Bro et al.

[45] **Date of Patent: **Nov. 24, 1998**

[54] **MOBILE STORAGE APPARATUS**

[75] Inventors: **Jay M. Bro**, Plano; **David Bradshaw**, Garland, both of Tex.

[73] Assignee: **Today's Kids, Inc.**, Booneville, Ark.

[**] Term: **14 Years**

[21] Appl. No.: **79,659**

[22] Filed: **Nov. 21, 1997**

[51] **LOC (6) Cl.** **03-01**

[52] **U.S. Cl.** **D3/271**

[58] **Field of Search** D3/201, 270, 271,
D3/905; D9/308, 414, 423; 206/457, 458,
319; 829/116.4

[56] **References Cited**

U.S. PATENT DOCUMENTS

D. 131,473	3/1942	Thelander .	
D. 287,434	12/1986	Wolfe et al. .	
D. 298,674	11/1988	Koller, Sr. .	
D. 324,306	3/1992	Lin	D3/271
D. 327,101	6/1992	Halter et al. .	
D. 350,284	9/1994	Ran	D9/308
D. 351,508	10/1994	Bonazza .	
D. 354,210	1/1995	Dickenson et al. .	
D. 369,022	4/1996	Sun	D3/271
D. 369,023	4/1996	Cheng	D3/271
D. 374,175	10/1996	Tesar	D9/308
D. 381,170	7/1997	Dawkins .	
D. 388,952	1/1998	Rosell, Jr.	D9/308 X
D. 393,021	3/1998	Box	D9/308 X
4,807,802	2/1989	Williams	229/116.4 X
4,909,391	3/1990	Newarski	206/457
5,310,109	5/1994	Prime et al.	229/116.4 X
5,622,256	4/1997	Tesak	229/116.4 X
5,632,375	5/1997	Mattikow	206/457

Primary Examiner—Prabhakar G. Deshmukh
Attorney, Agent, or Firm—Kirkpatrick & Lockhart LLP

[57] **CLAIM**

The ornamental design for the mobile storage apparatus, as herein shown and described.

DESCRIPTION

FIG. 1 is a perspective view of the mobile storage apparatus constructed according to the present invention with the lid thereof in a closed position;

FIG. 2 is a front elevational view of the invention illustrated in FIG. 1;

FIG. 3 is a rear elevational view of the invention illustrated in FIGS. 1 and 2;

FIG. 4 is a top view of the invention illustrated in FIGS. 1-3; FIG. 5 is a bottom view of the invention illustrated in FIGS. 1-4;

FIG. 6 is a left side elevational view of the invention illustrated in FIGS. 1-5;

FIG. 7 is a right side elevational view of the invention illustrated in FIGS. 1-6;

FIG. 8 is a perspective view of the mobile storage apparatus constructed according to the present invention with the lid thereof in an open position;

FIG. 9 is a front elevational view of the invention illustrated in FIG. 8;

FIG. 10 is a rear elevational view of the invention illustrated in FIGS. 8 and 9;

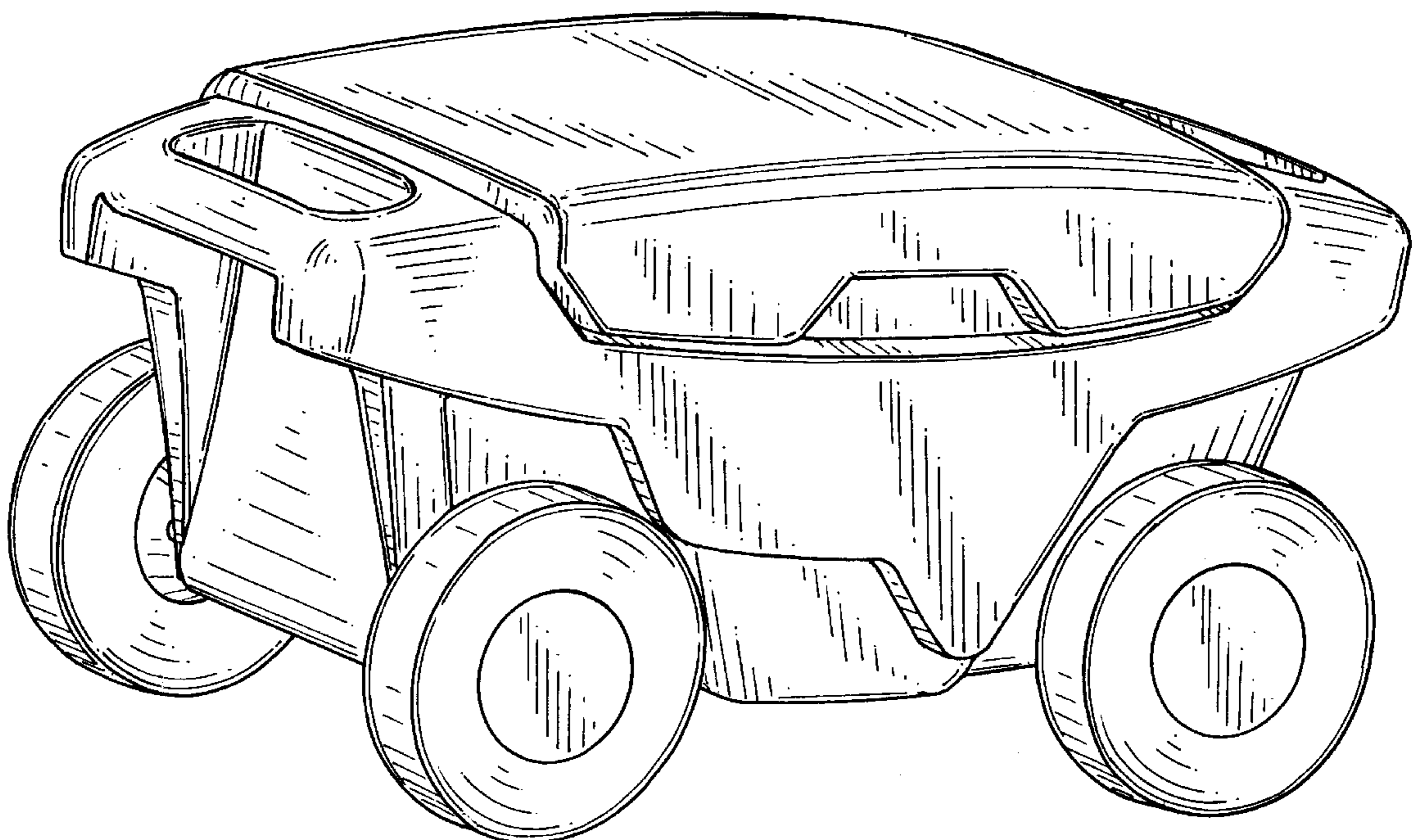
FIG. 11 is a top view of the invention illustrated in FIGS. 8-10;

FIG. 12 is a bottom view of the invention illustrated in FIGS. 8-11;

FIG. 13 is a left side elevational view of the invention illustrated in FIGS. 8-12; and,

FIG. 14 is a right side elevational view of the invention illustrated in FIGS. 8-13.

1 Claim, 13 Drawing Sheets



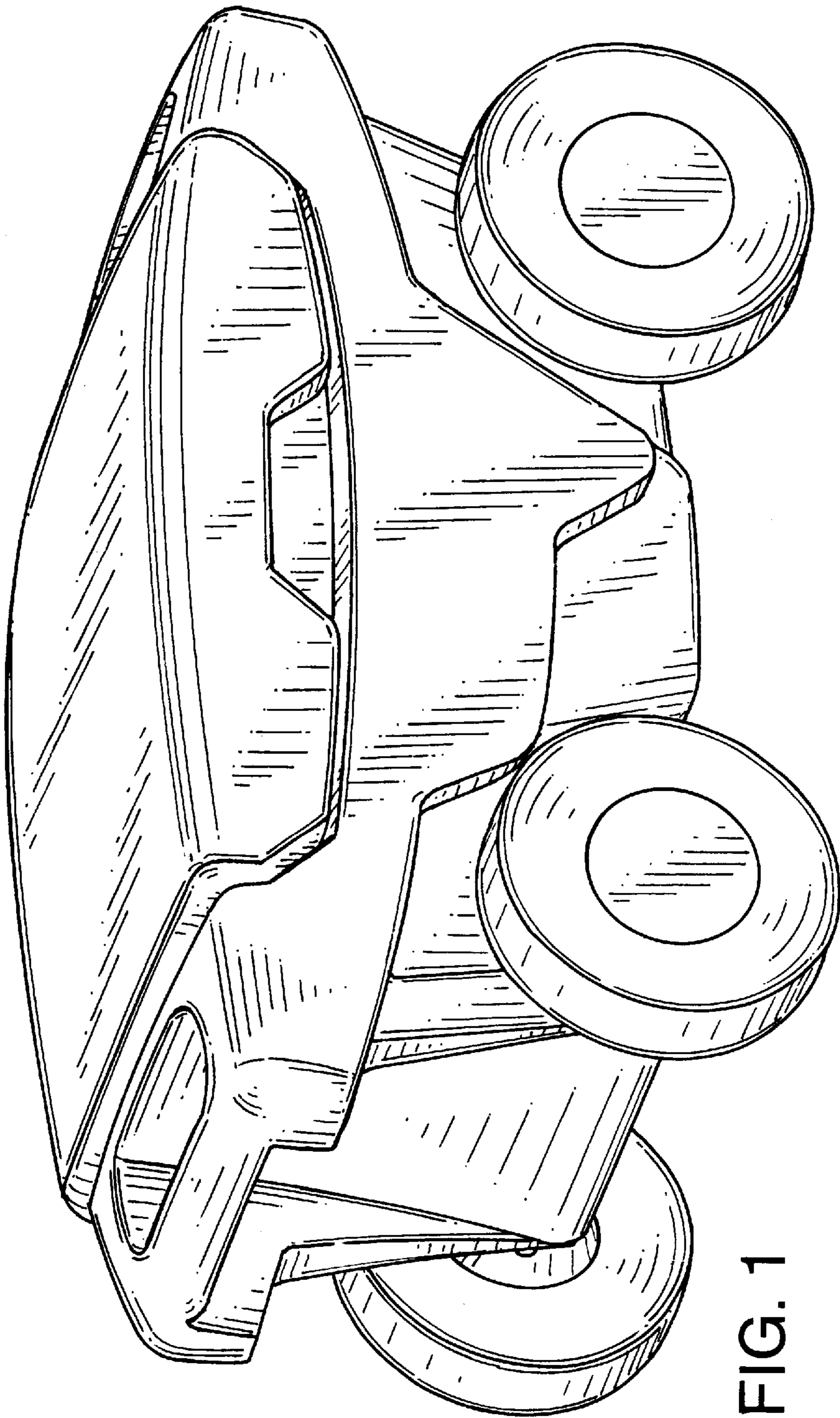


FIG. 1

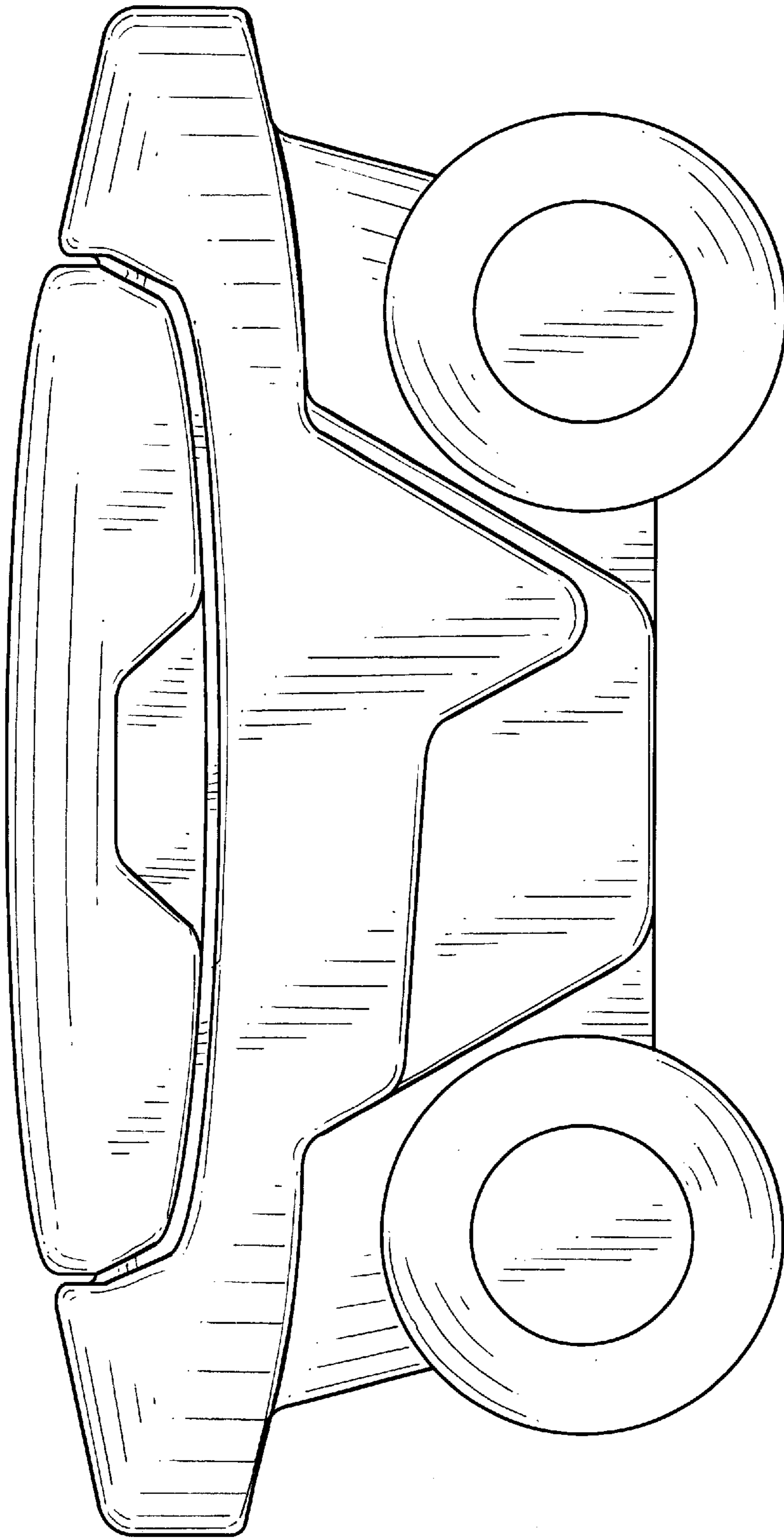


FIG. 2

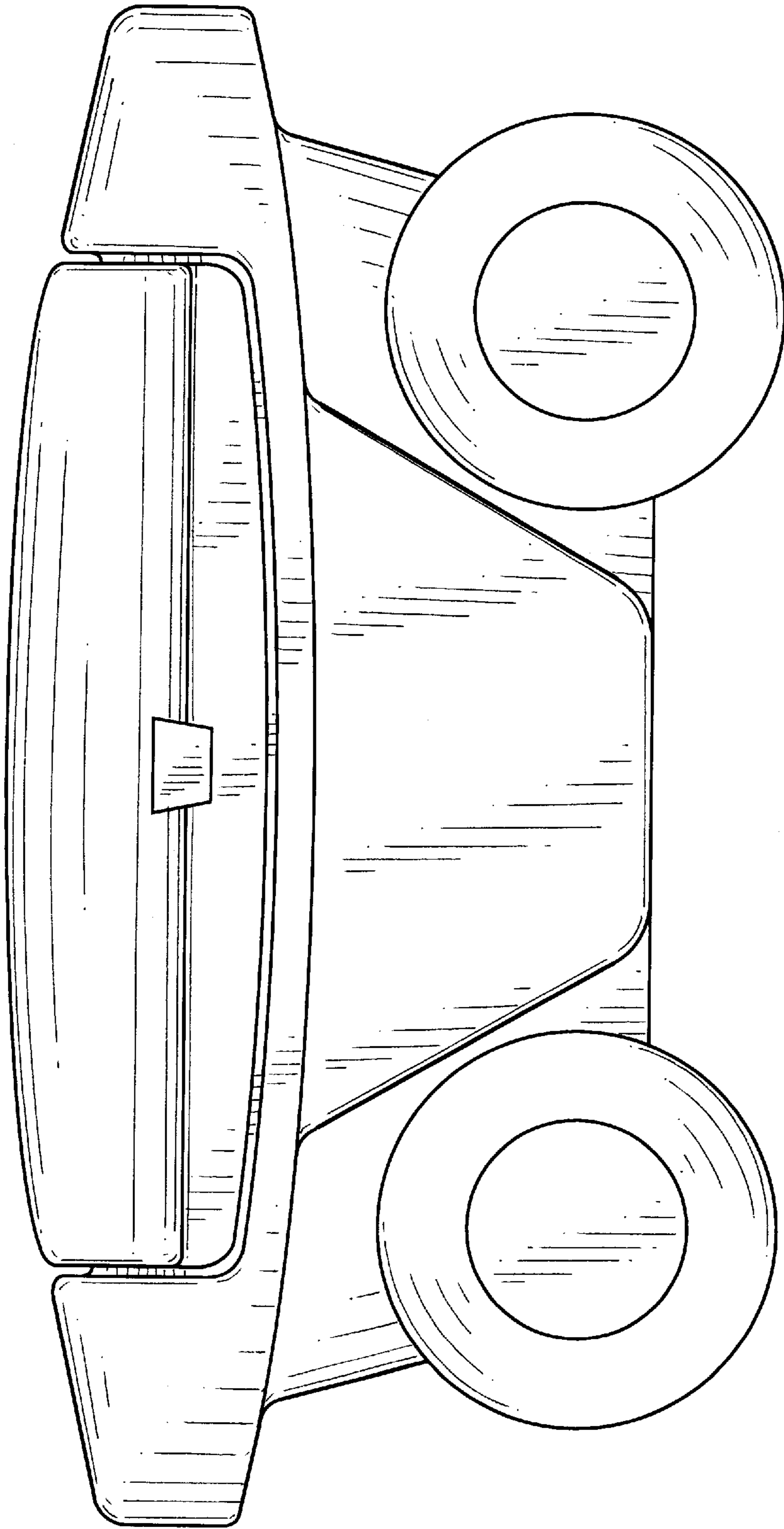


FIG. 3

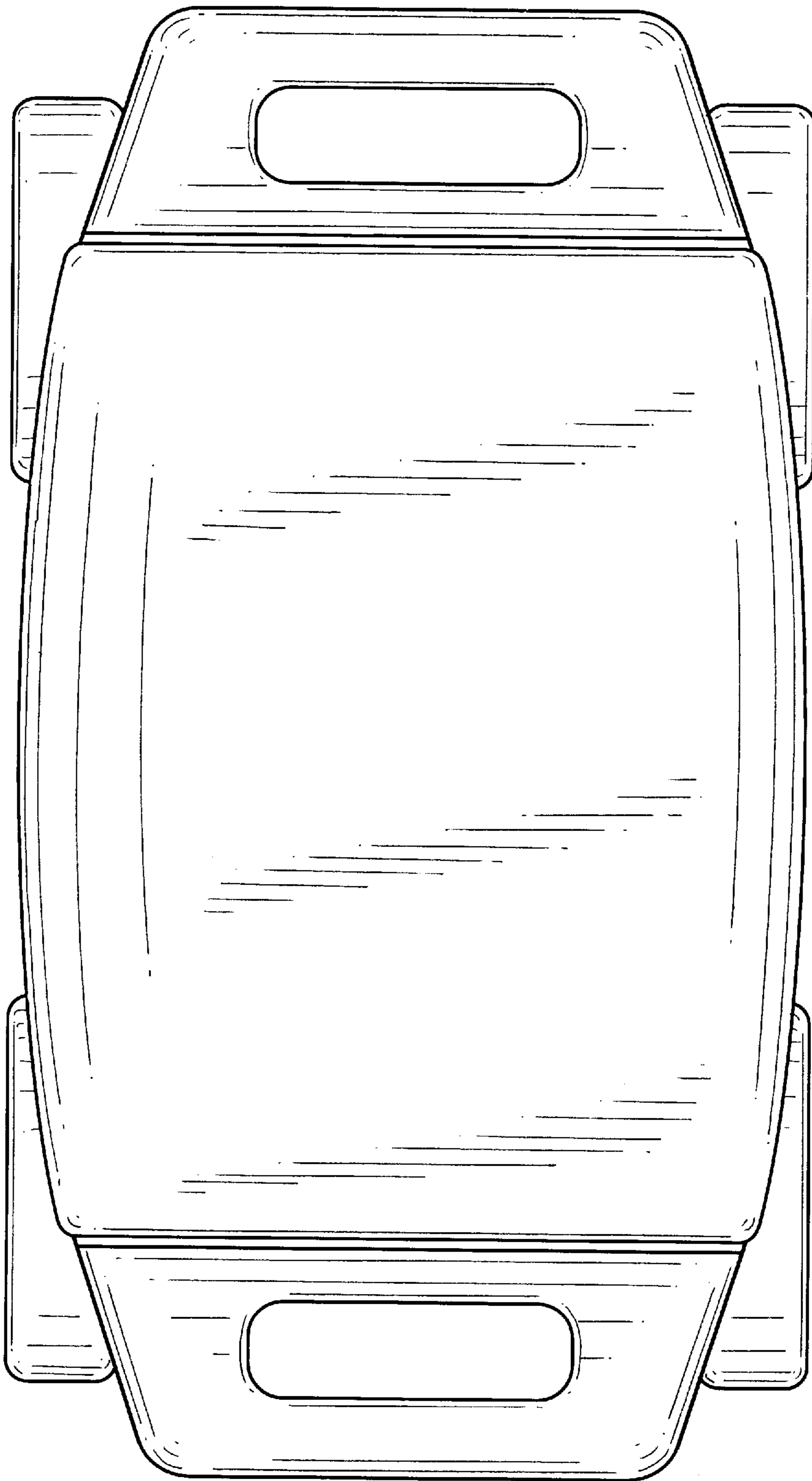


FIG. 4

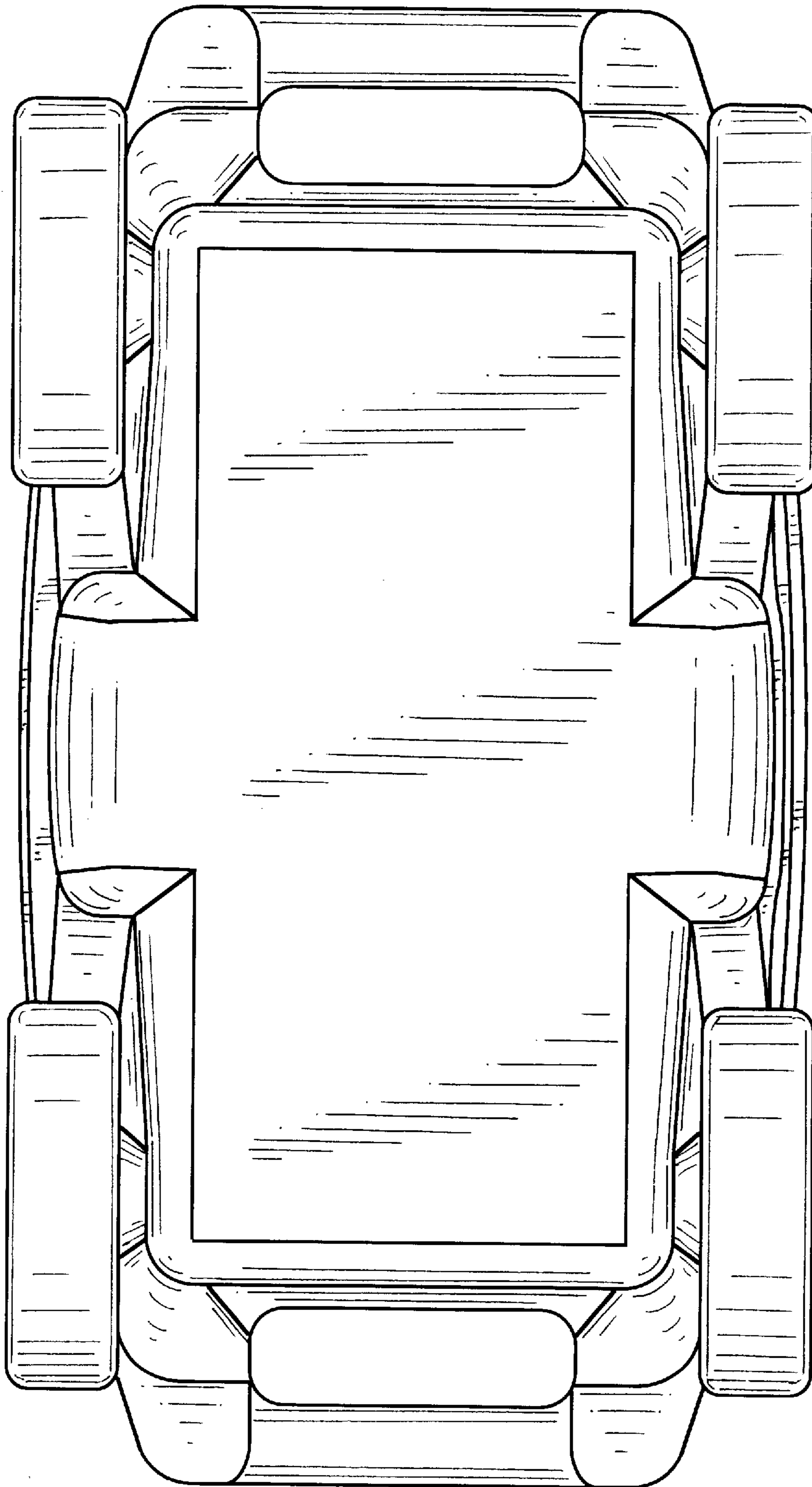


FIG. 5

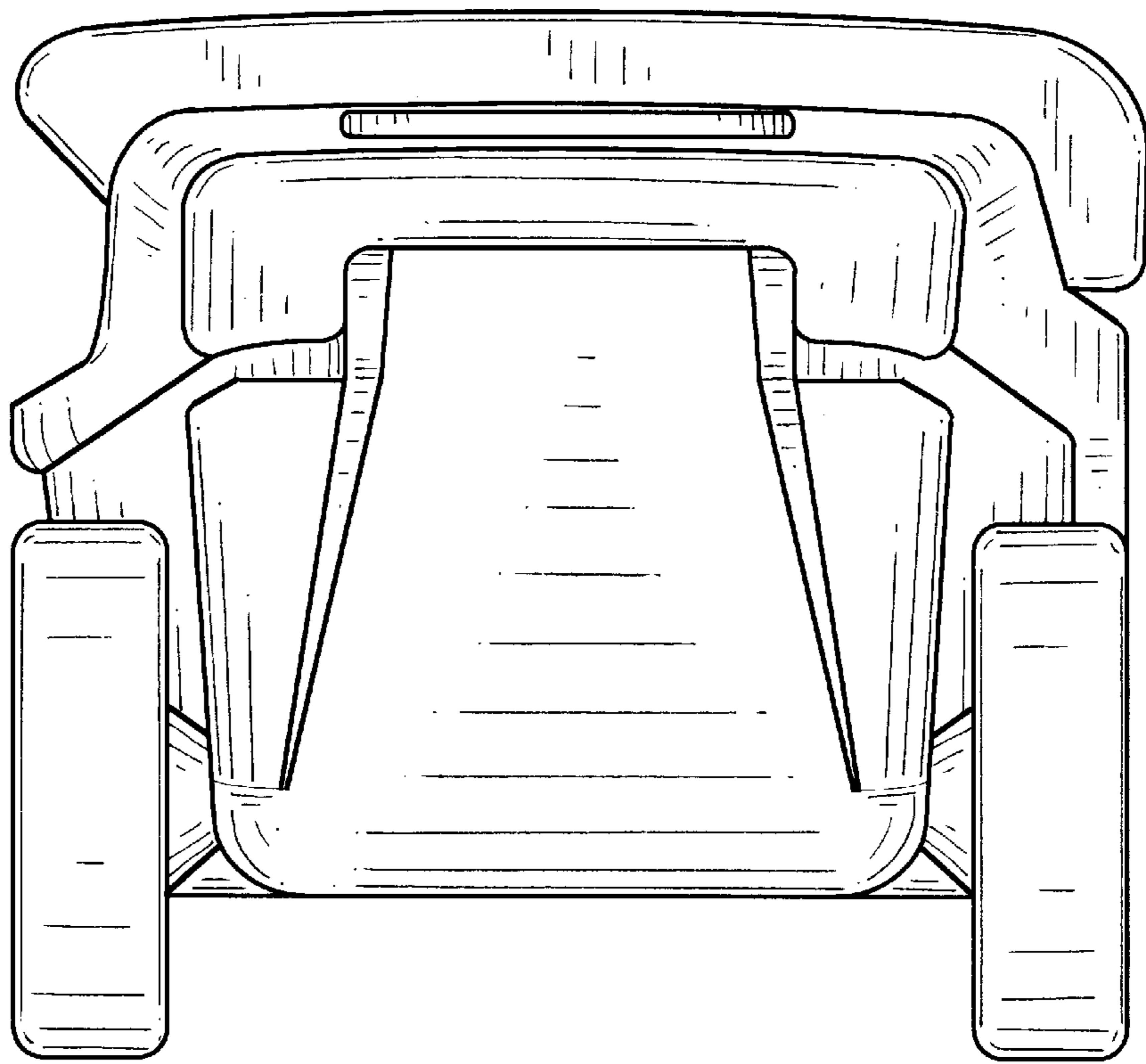


FIG. 6

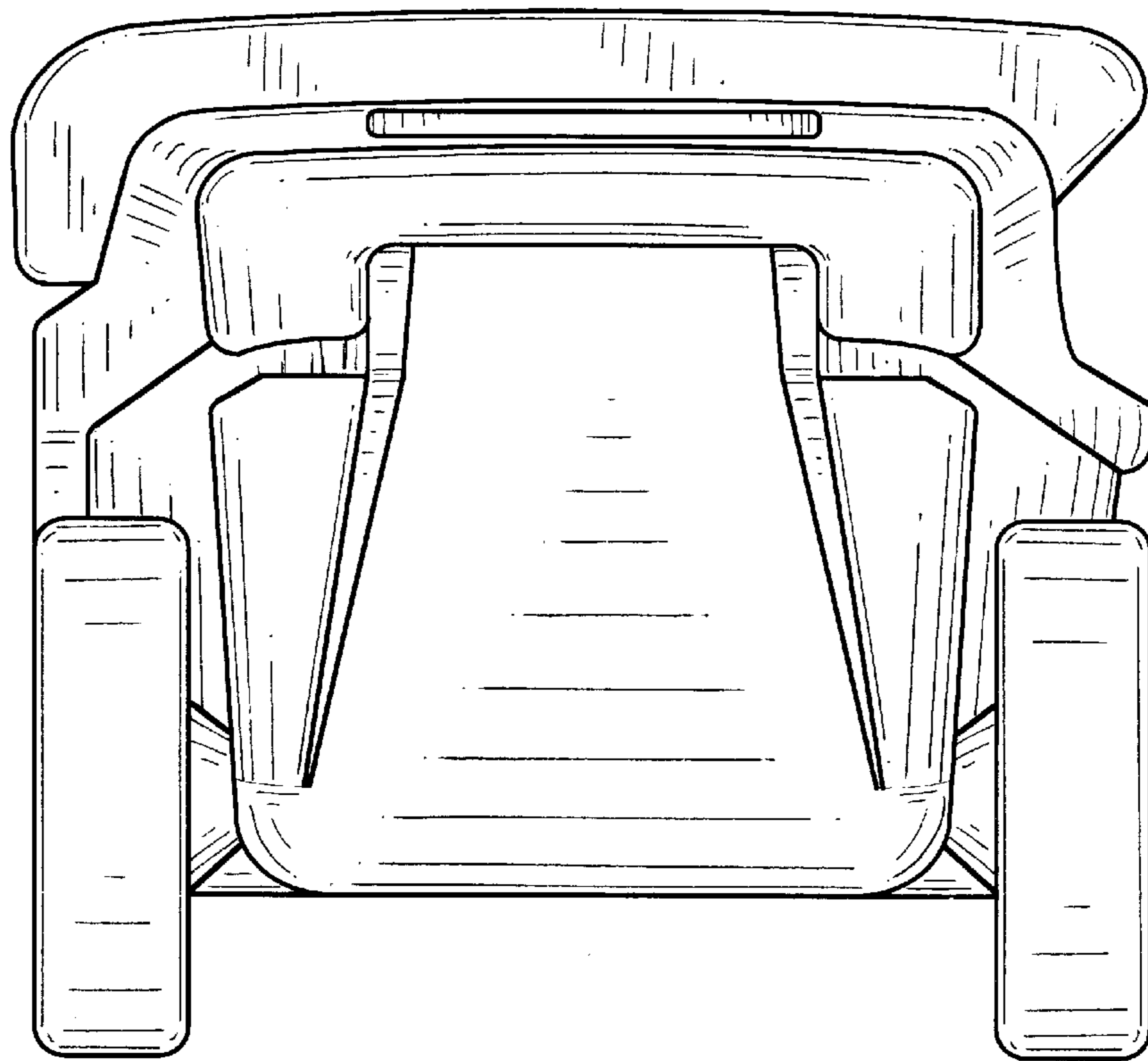


FIG. 7

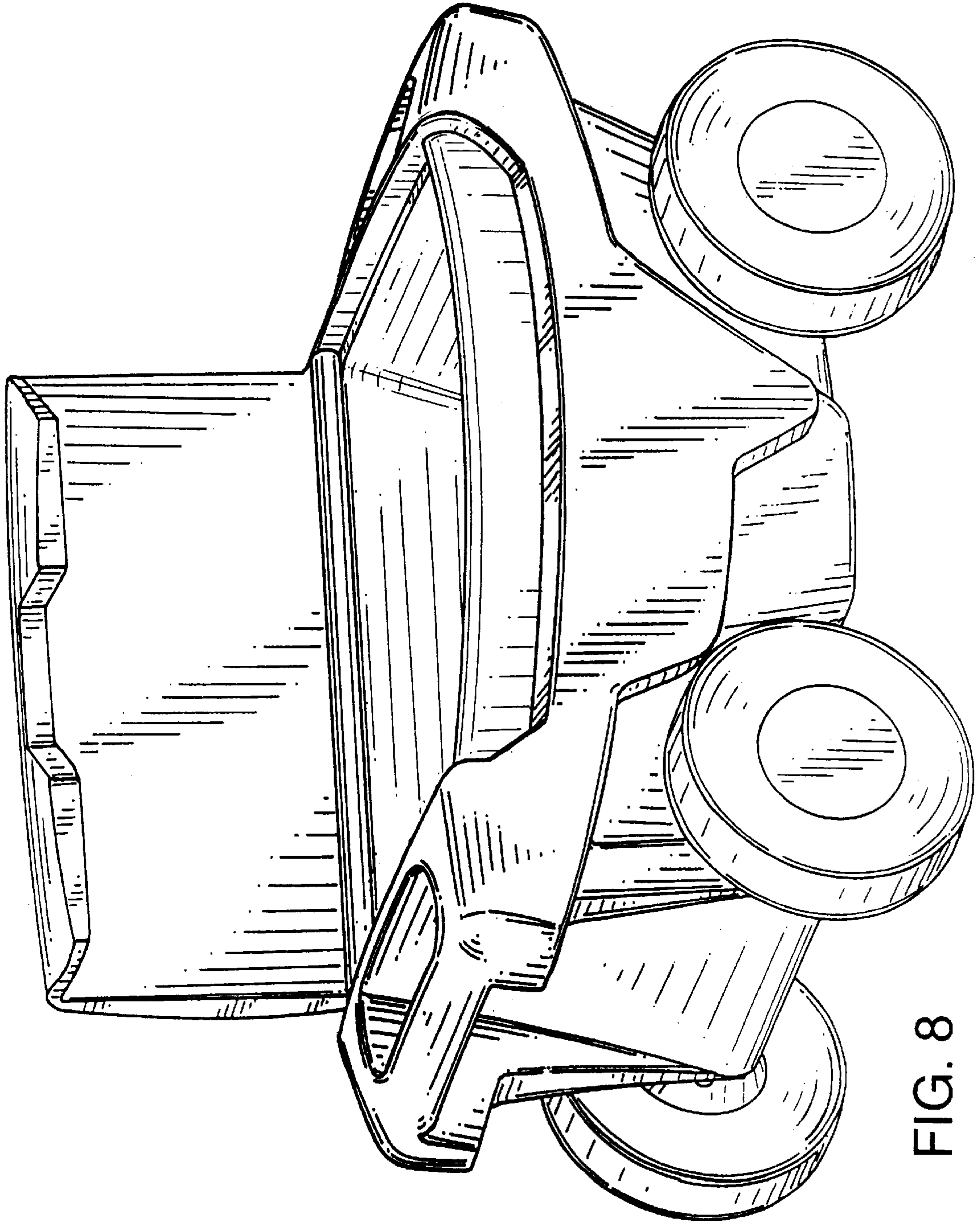


FIG. 8

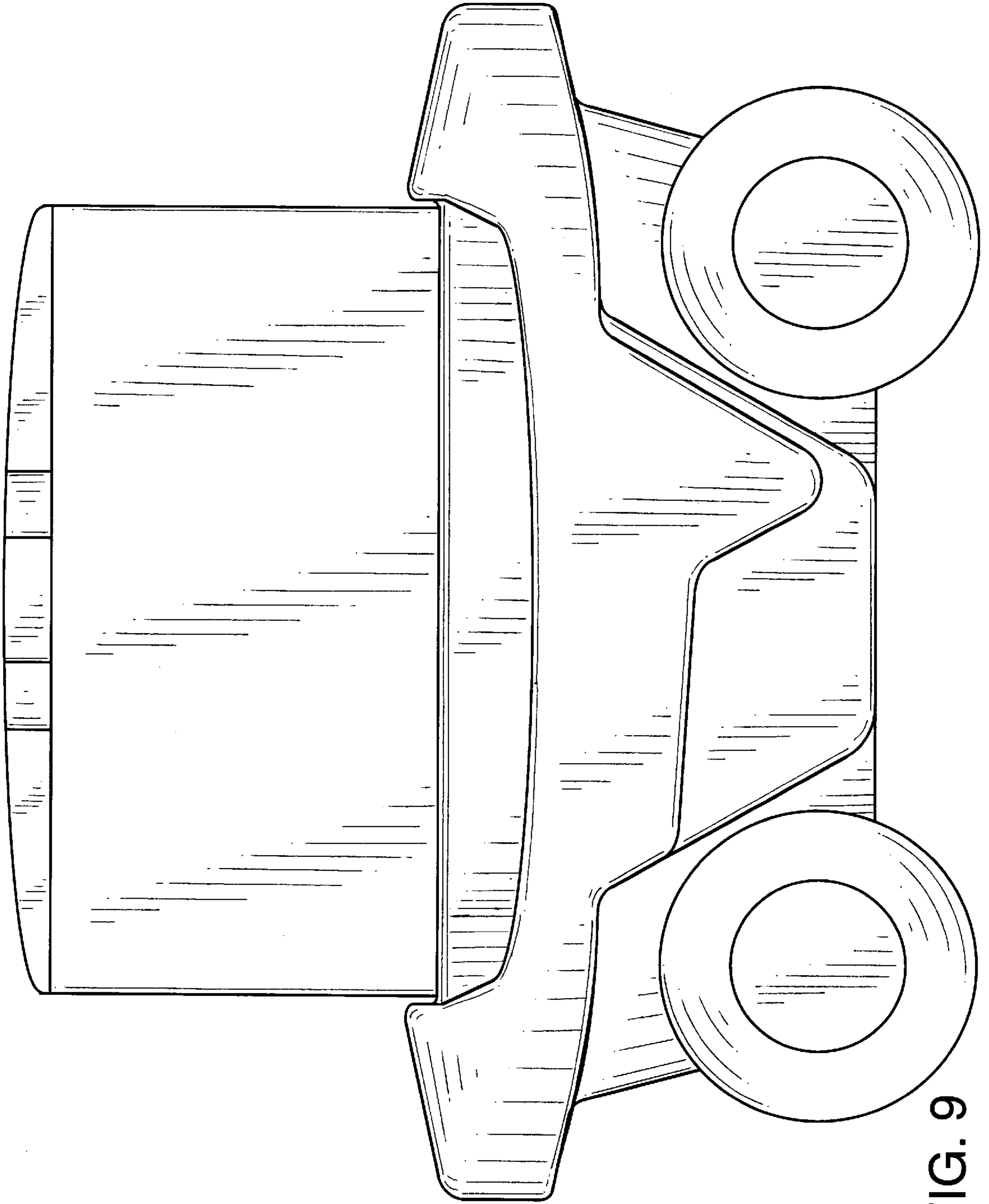


FIG. 9

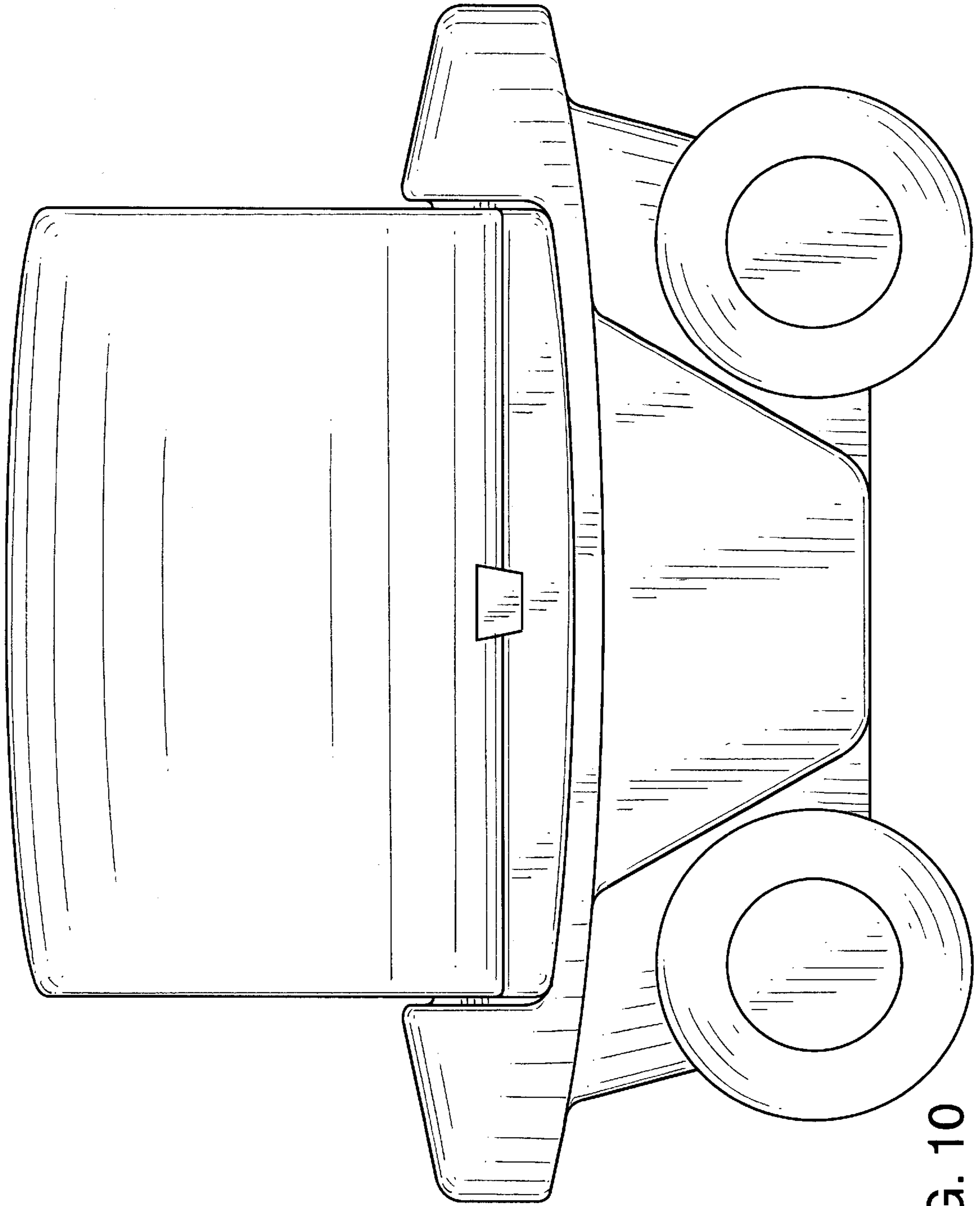


FIG. 10

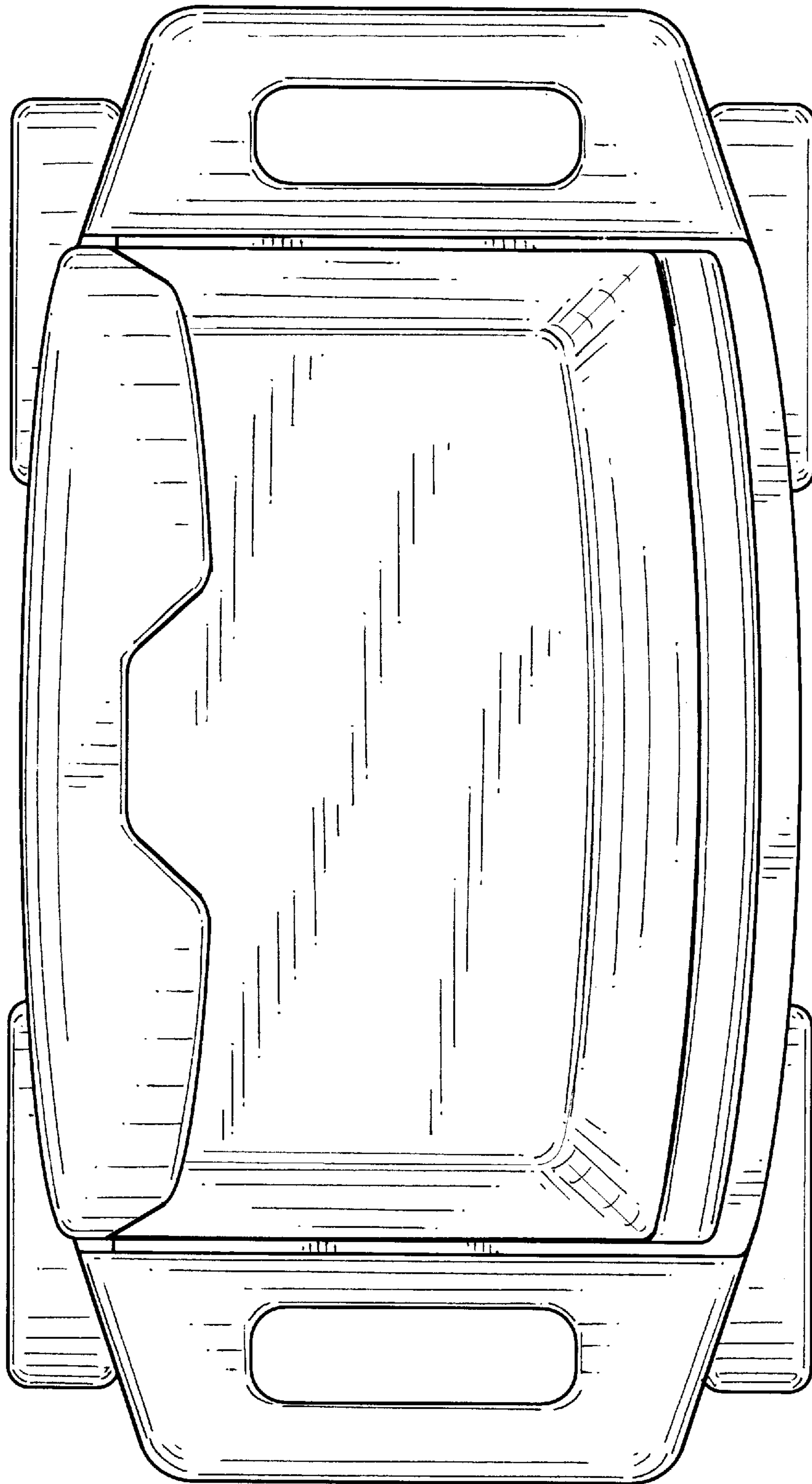


FIG. 11

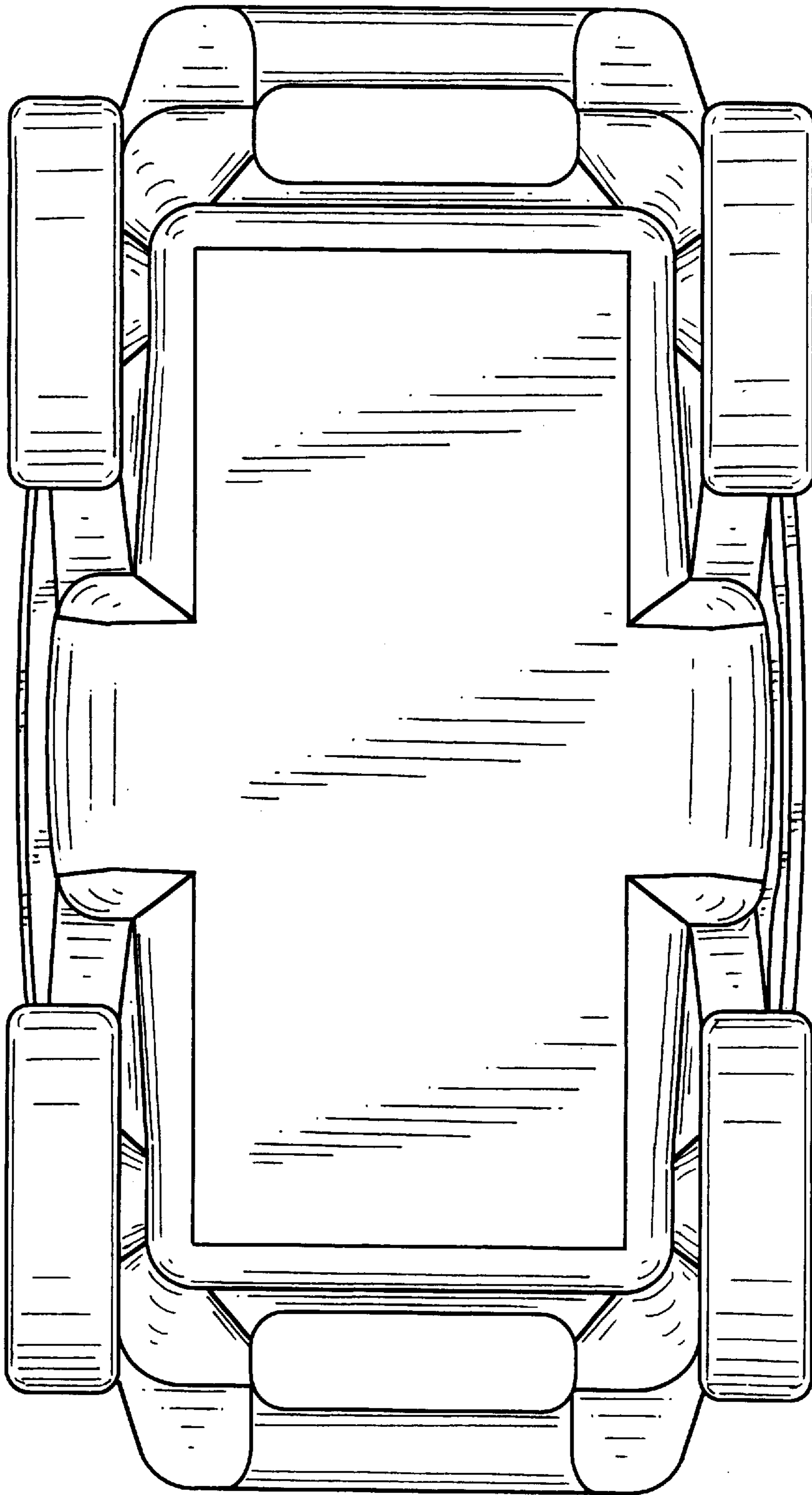


FIG. 12

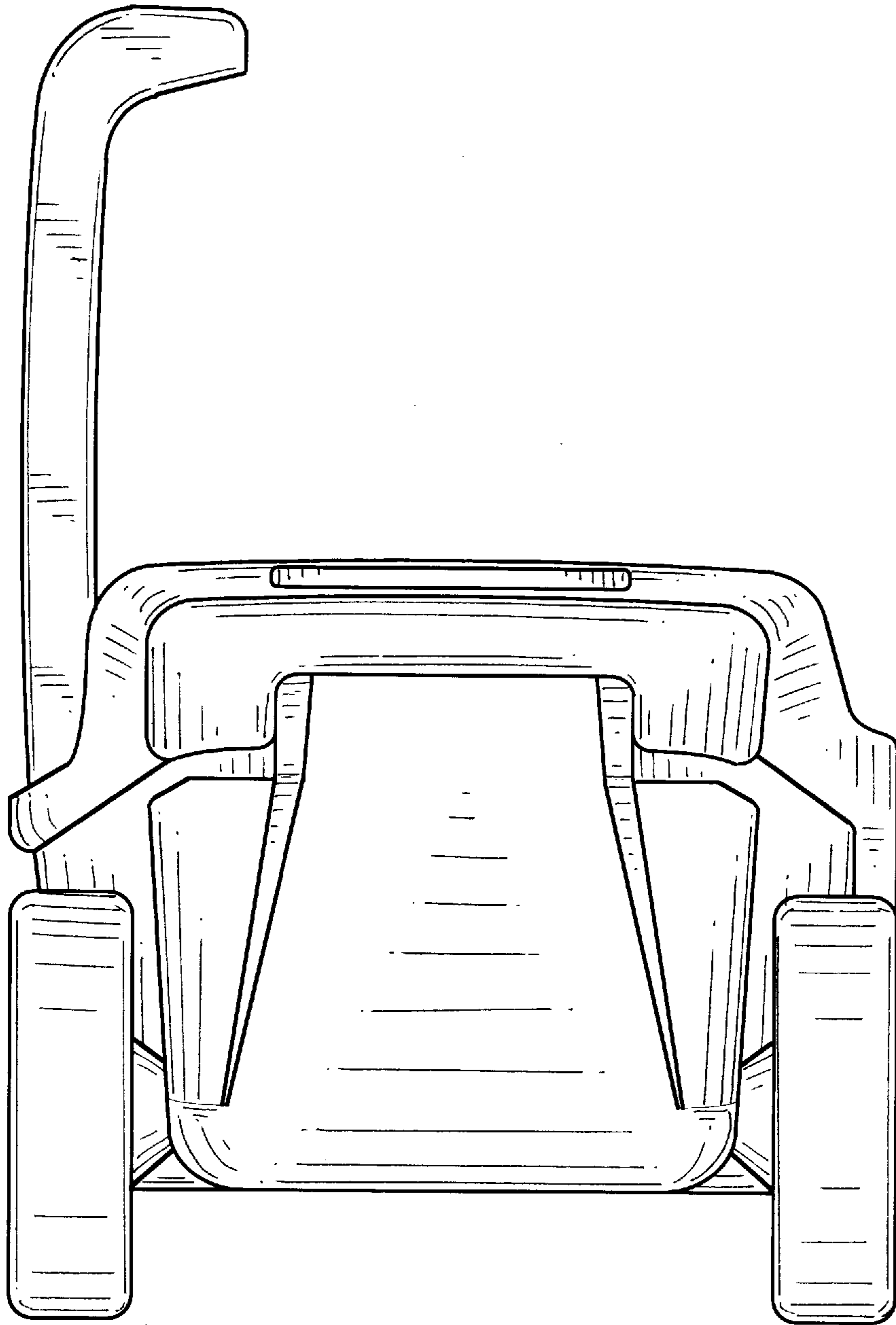


FIG. 13

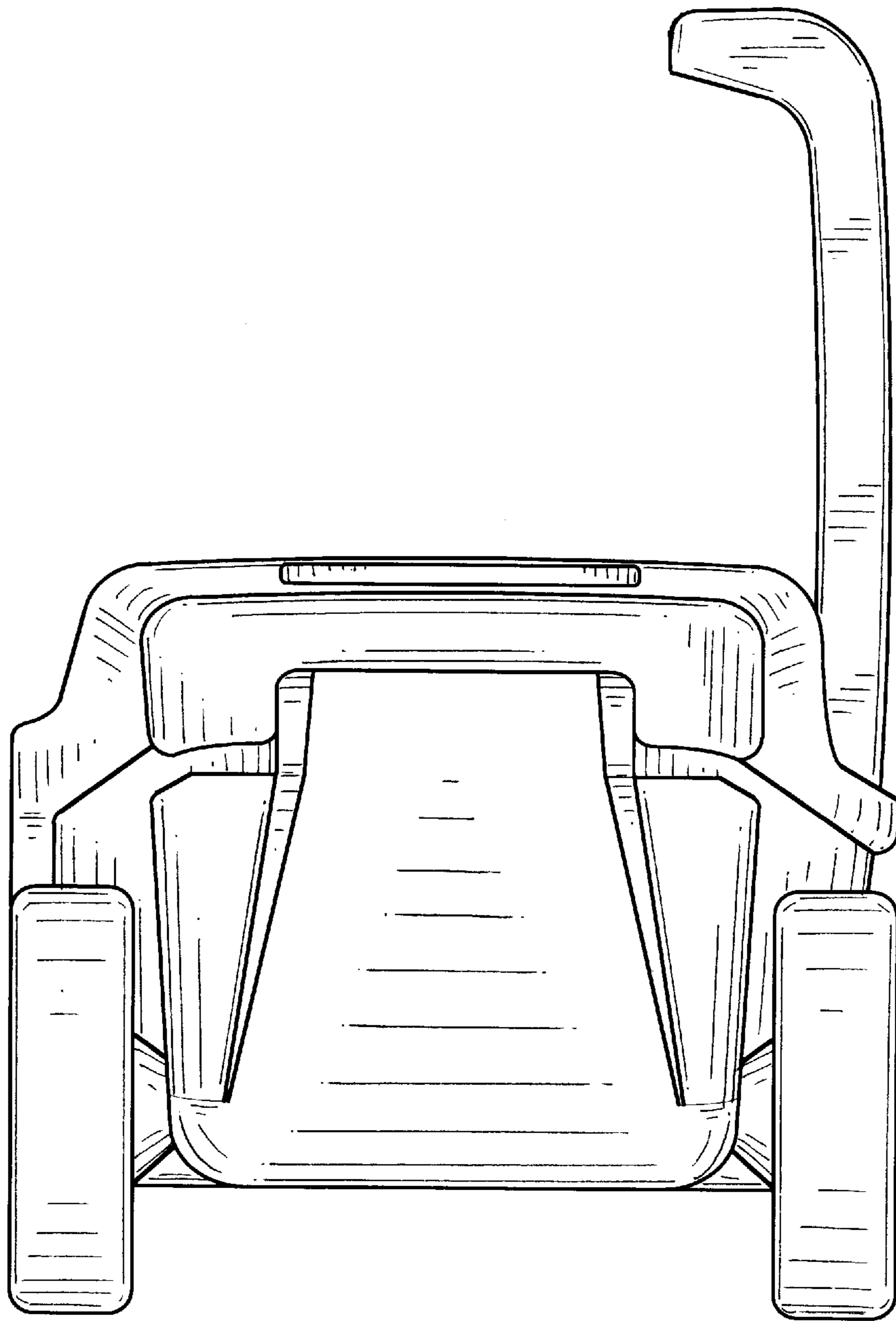


FIG. 14