



US00D401383S

United States Patent [19] Gish

[11] **Patent Number: Des. 401,383**

[45] **Date of Patent: **Nov. 17, 1998**

[54] **WASTEBASKET WITH LINER BAG LOCK**

[76] Inventor: **Donald A. Gish**, 4832 Sterling Hills Dr., Antioch, Calif. 94509

[**] Term: **14 Years**

[21] Appl. No.: **61,432**

[22] Filed: **Oct. 21, 1996**

[51] **LOC (6) Cl. 09-09**

[52] **U.S. Cl. D34/1**

[58] **Field of Search** D34/1, 5-7; 220/908, 220/909, 403, 404, 409; 248/97, 95

[56] **References Cited**

U.S. PATENT DOCUMENTS

D. 189,729	2/1961	Ebstein	D34/1
D. 343,485	1/1994	Hampshire	D34/1
4,027,774	6/1977	Cote	220/404
4,338,979	7/1982	Dow	220/404
4,723,740	2/1988	Courtmanche	D34/6
4,955,496	9/1990	Nelson	220/404
5,261,553	11/1993	Mueller et al.	220/409

Primary Examiner—Alan P. Douglas
Assistant Examiner—Robin V. Taylor
Attorney, Agent, or Firm—Linval B. Castle

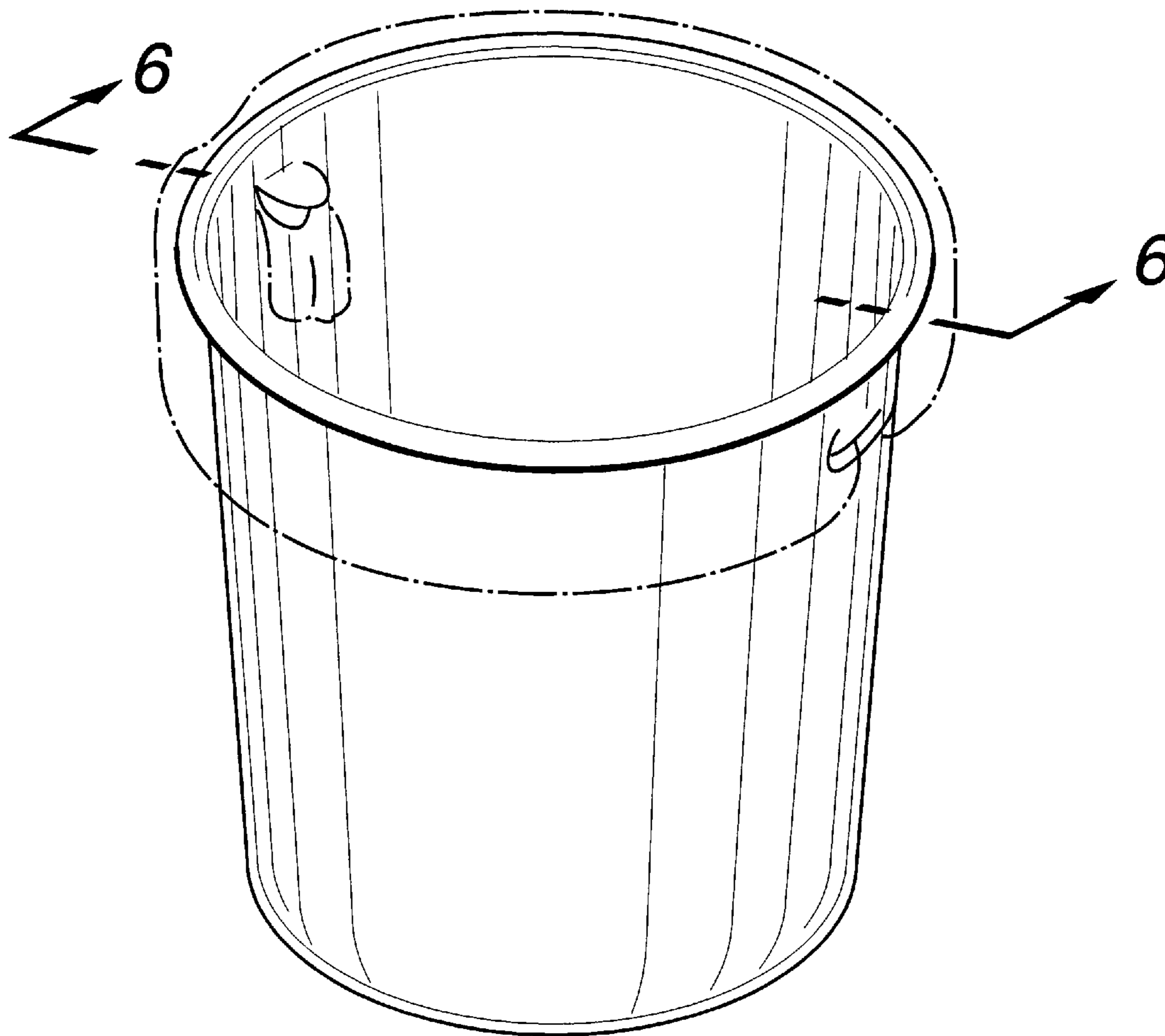
[57] **CLAIM**

The ornamental design for a wastebasket with liner bag lock, as shown and described.

DESCRIPTION

FIG. 1 is a first side elevational view of a cardboard or plastic wastebasket showing my new design, the opposite side being a mirror image thereof; FIG. 2 is a top plan view thereof; FIG. 3 is a bottom plan view thereof; FIG. 4 is a second side elevational view thereof, the opposite end being a mirror image thereof; FIG. 5 is a perspective view thereof showing flaps of the liner bag lock open to grasp part of a liner bag shown by broken lines; and, FIG. 6 is a sectional view taken along the lines 6—6 of FIG. 5. The broken line disclosing a liner bag is for illustrative purposes only and forms no part of the claimed design.

1 Claim, 3 Drawing Sheets



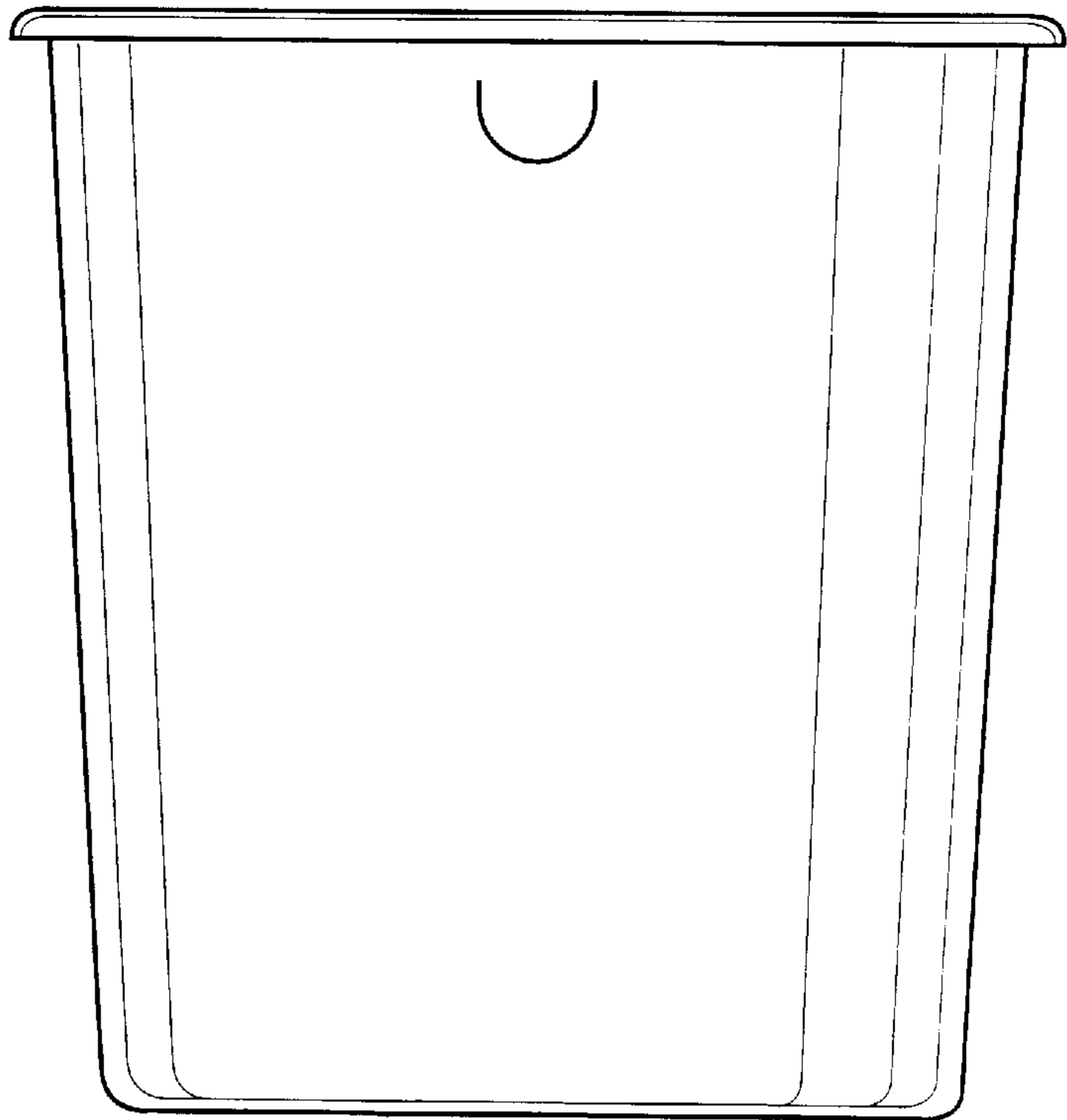


Fig. 1

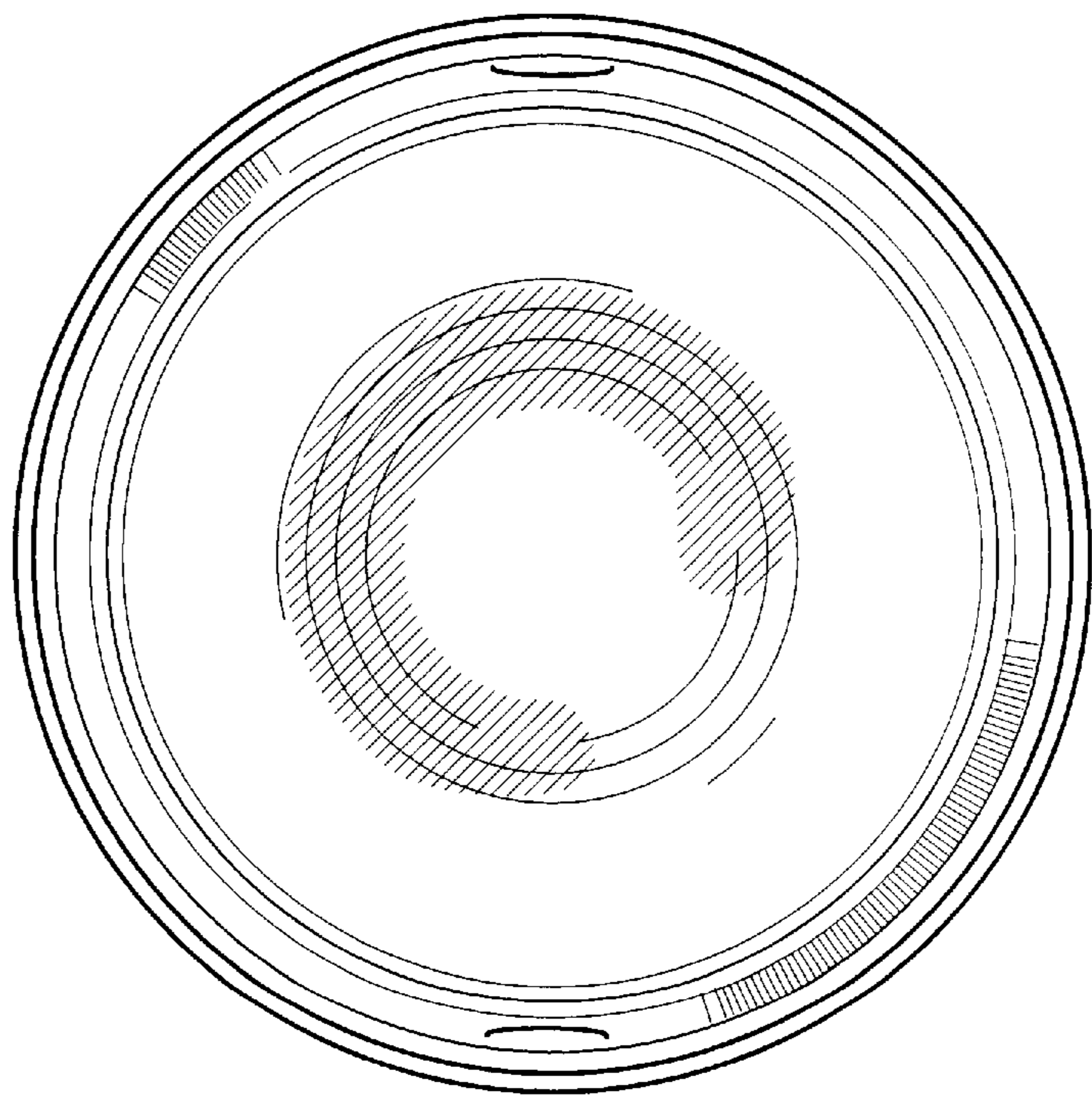


Fig. 2

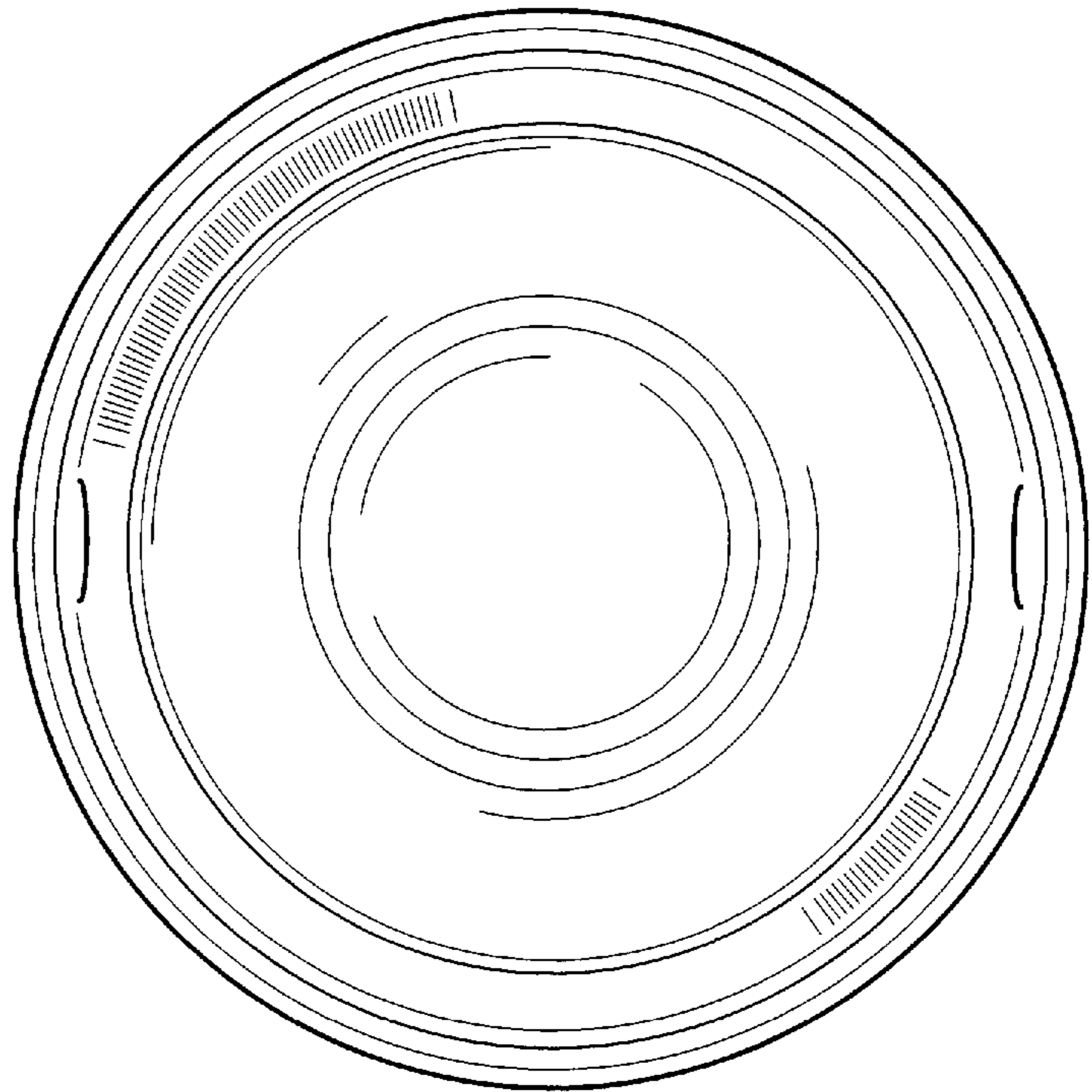


Fig. 3

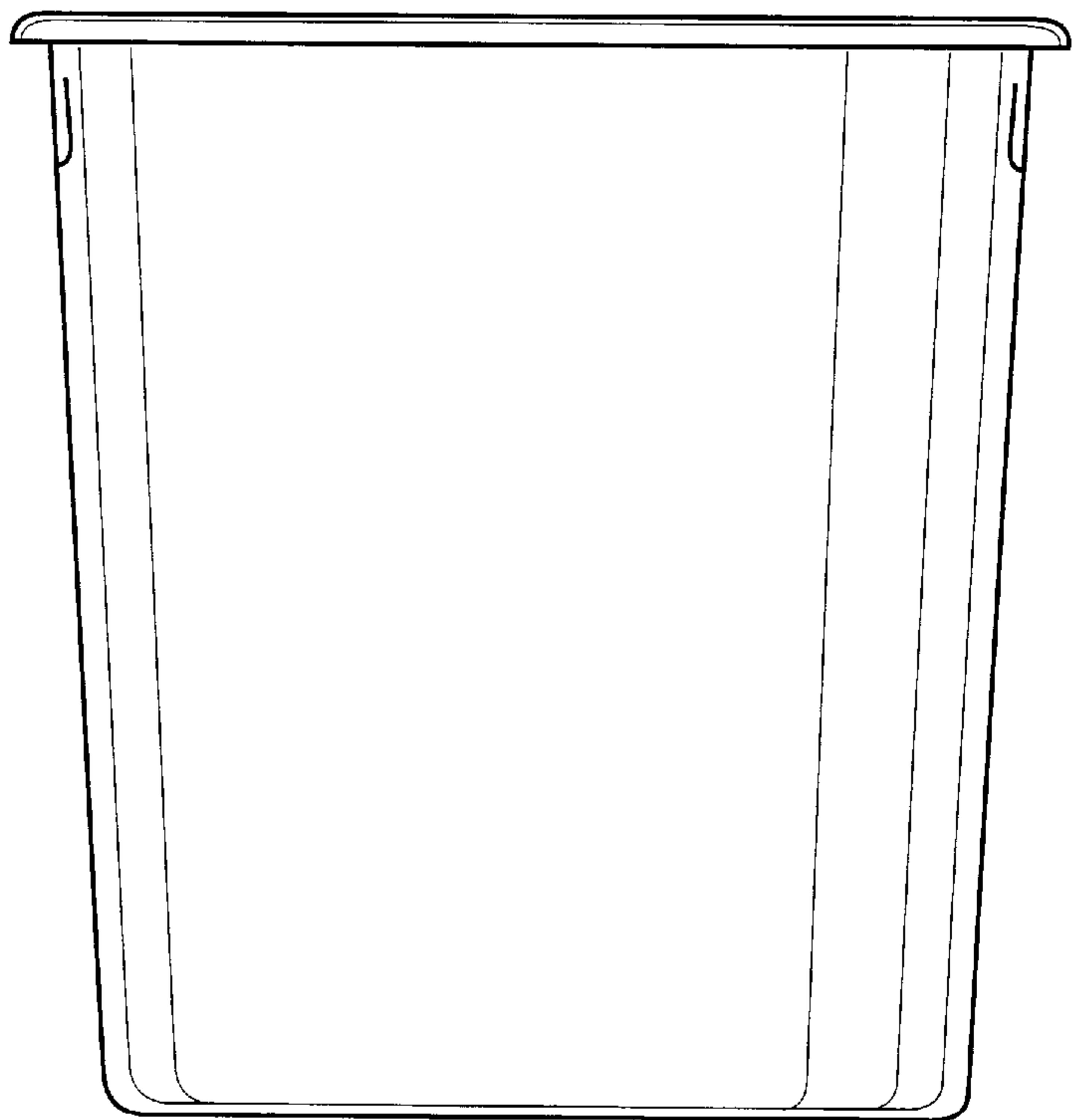


Fig. 4

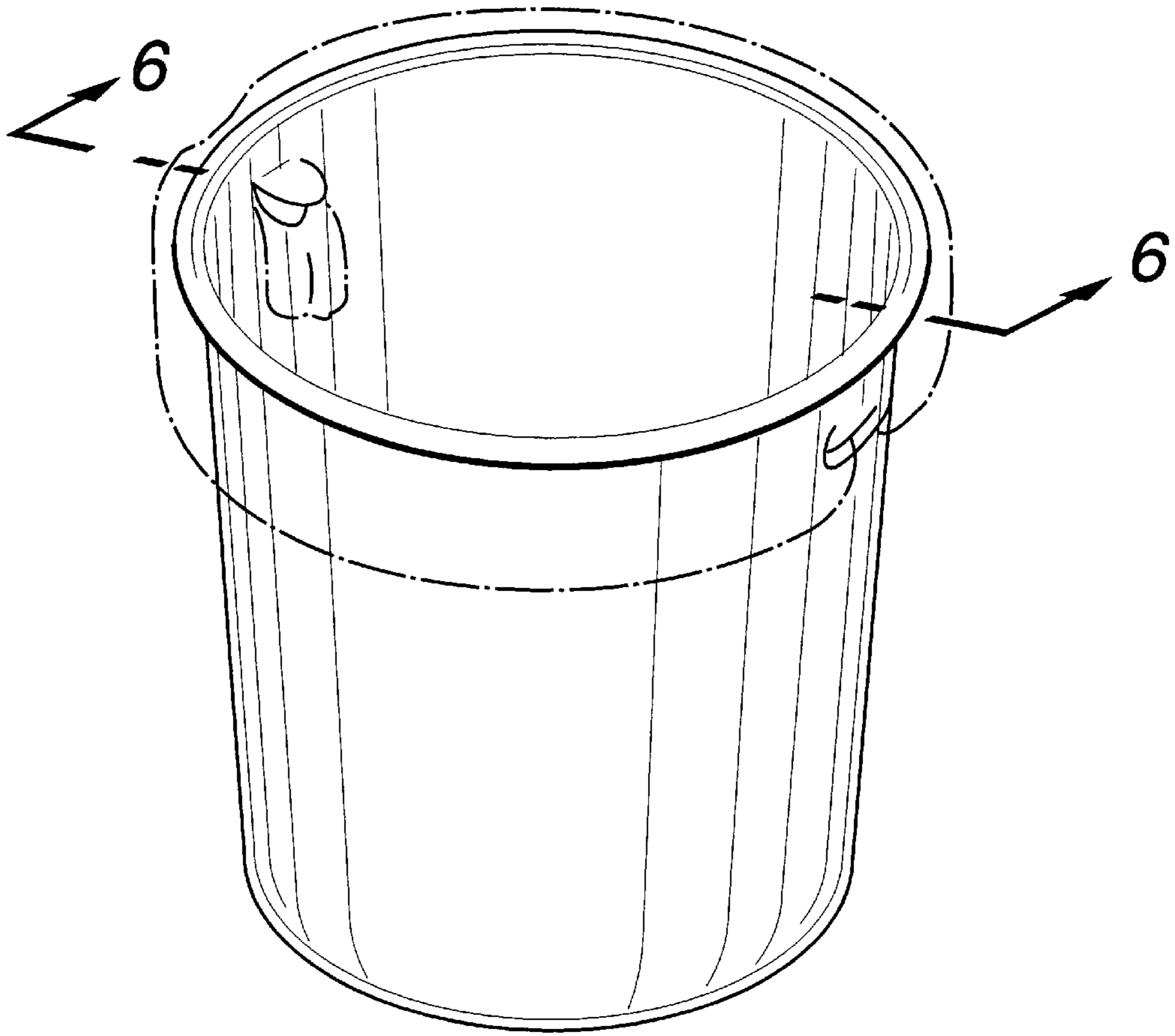


Fig. 5

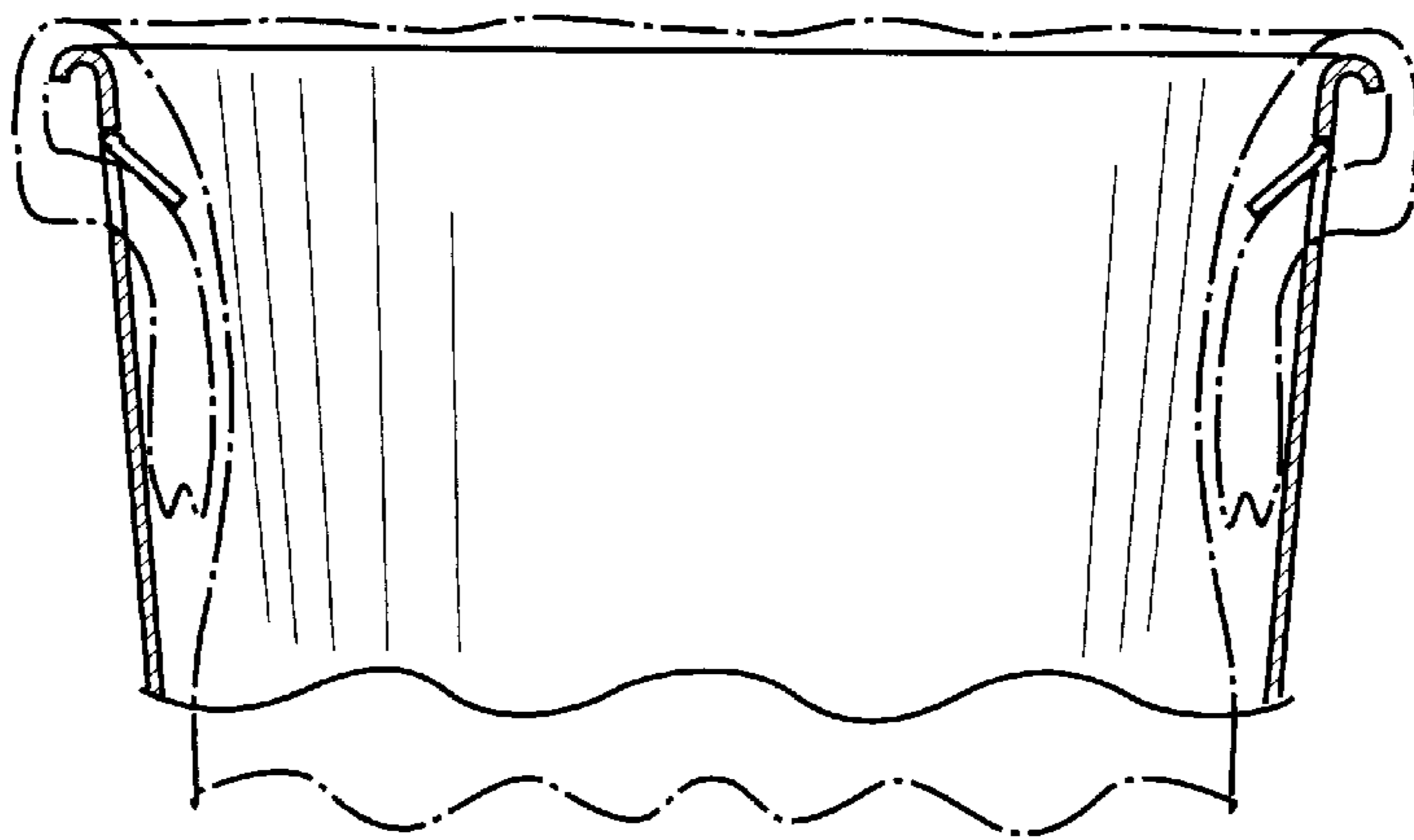


Fig. 6