



US00D401379S

United States Patent [19]
Goldoftas

[11] **Patent Number: Des. 401,379**

[45] **Date of Patent: **Nov. 17, 1998**

[54] **GOLFER'S CIGAR HOLDER**

3,763,515 10/1973 Voss D21/793
5,152,524 10/1992 Brown 473/285

[76] Inventor: **Neil D. Goldoftas**, 1648 Curry Dr.,
Lyndhurst, Ohio 44124

Primary Examiner—Susan J. Lucas
Assistant Examiner—Jennifer Rivard
Attorney, Agent, or Firm—James A. Hudak

[**] Term: **14 Years**

[57] **CLAIM**

[21] Appl. No.: **85,949**

I claim the ornamental design for a golfer's cigar holder, as shown and described.

[22] Filed: **Apr. 2, 1998**

DESCRIPTION

[51] **LOC (6) Cl.** **27-06**

[52] **U.S. Cl.** **D27/183**; D21/793

[58] **Field of Search** D27/172, 183,
D27/192, 194, 138; D21/793; 131/257,
258, 259; 473/285, 286, 284; 206/242;
248/156

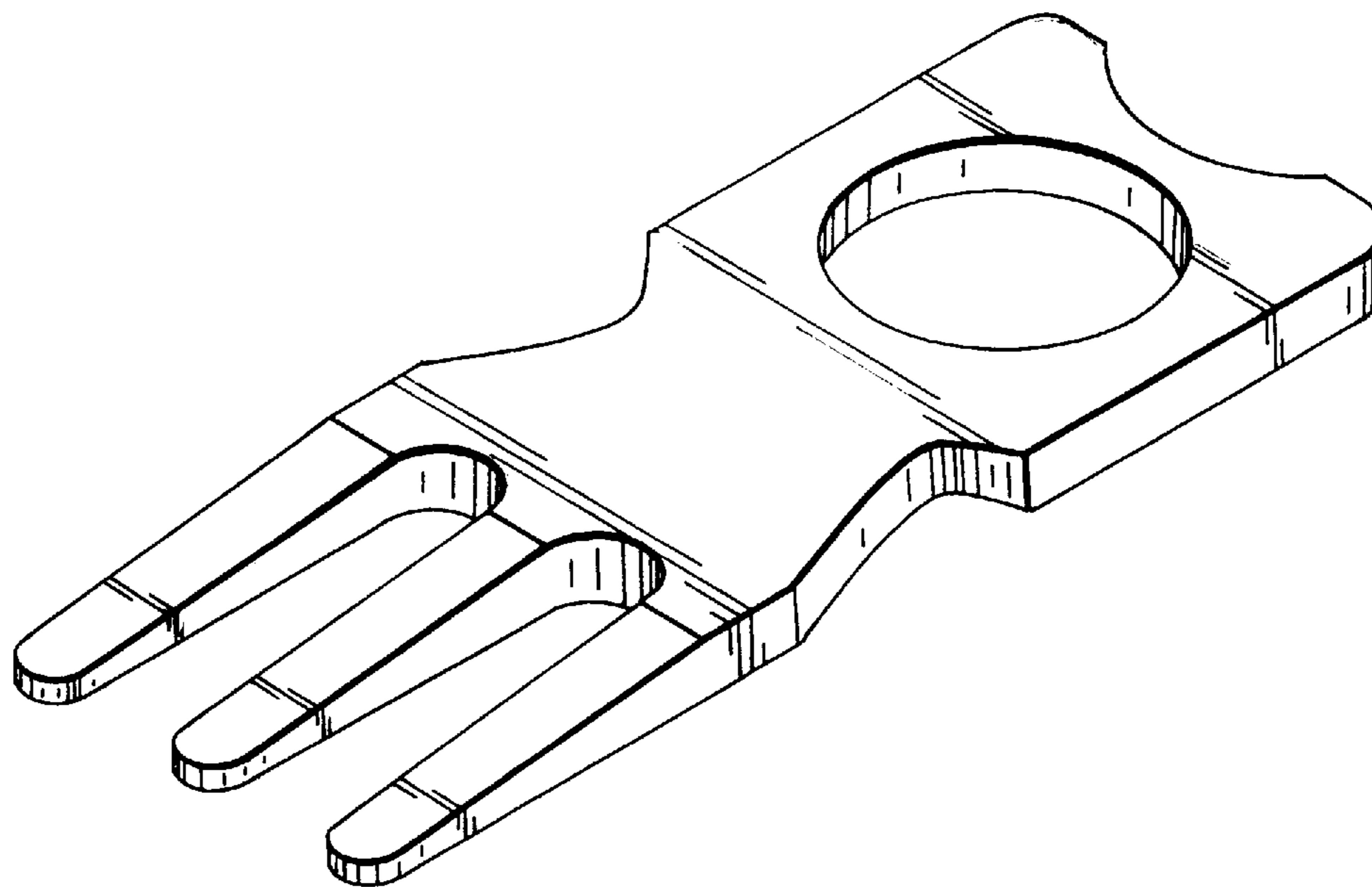
FIG. 1 is a perspective view of the golfer's cigar holder showing my new design;
FIG. 2 is a top plan view thereof;
FIG. 3 is a bottom plan view thereof;
FIG. 4 is a right side elevational view thereof;
FIG. 5 is a left side elevational view thereof;
FIG. 6 is a front elevational view thereof; and,
FIG. 7 is a rear elevational view thereof.

[56] **References Cited**

U.S. PATENT DOCUMENTS

D. 30,904 2/1899 Newbold et al. D21/234

1 Claim, 2 Drawing Sheets



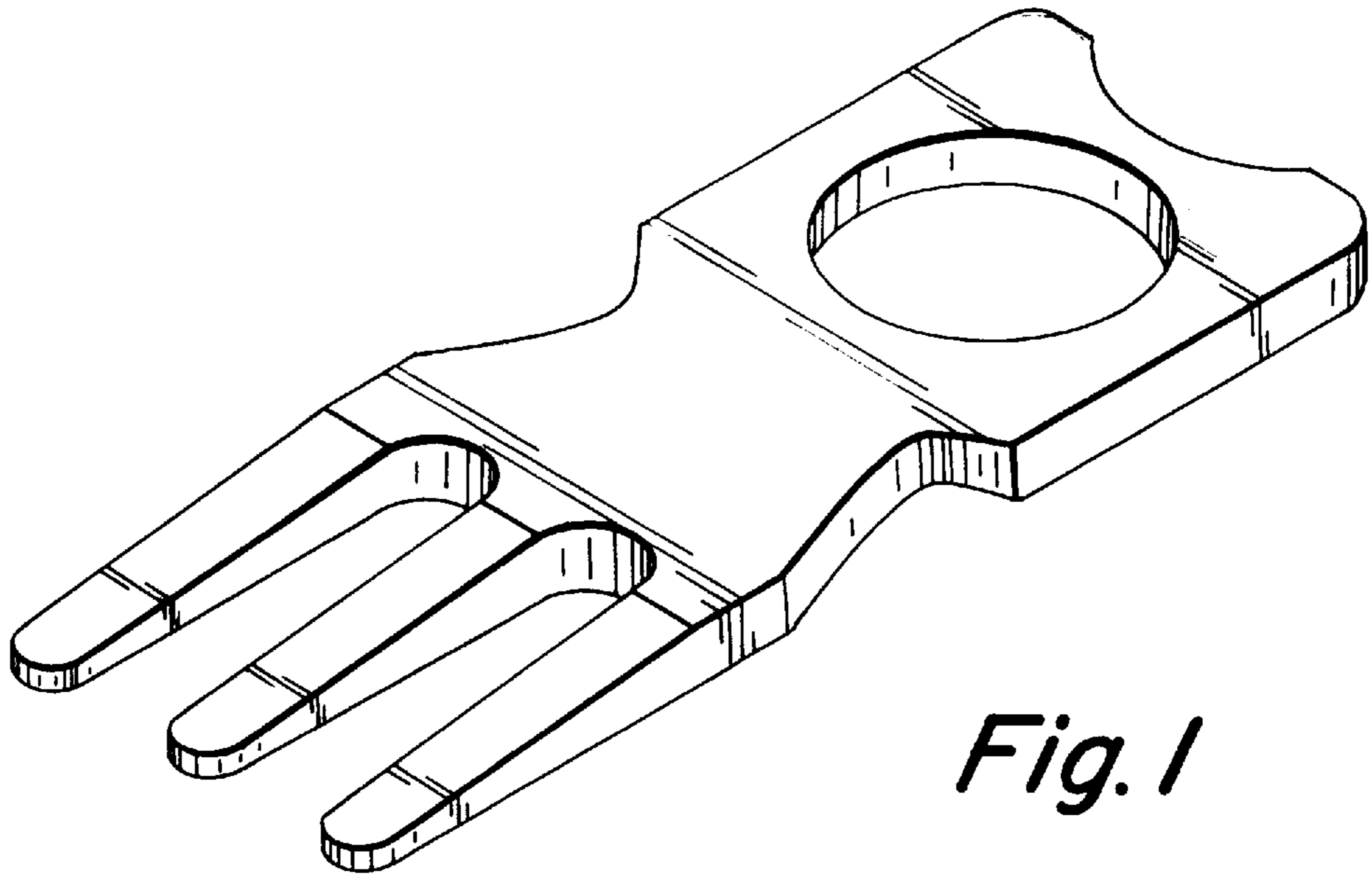


Fig. 1

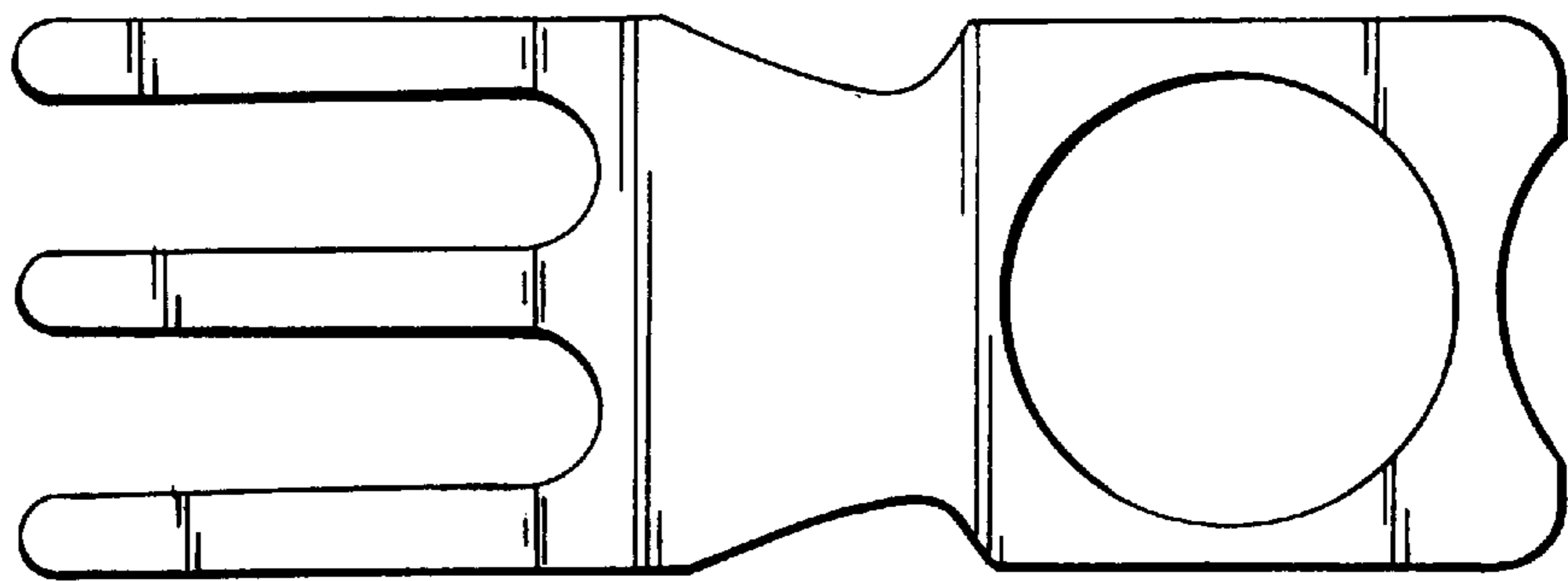


Fig. 2

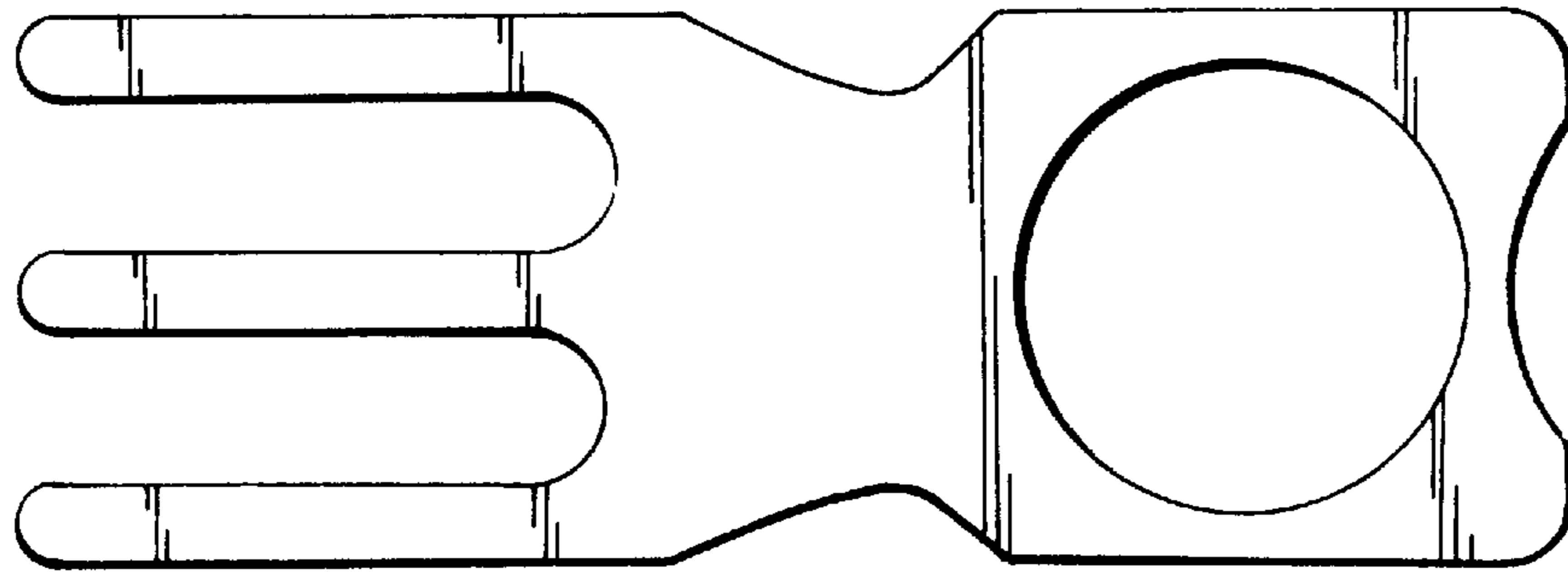


Fig. 3



Fig. 4



Fig. 5



Fig. 6



Fig. 7