



US00D401377S

United States Patent [19]
Eusterbrock

[11] **Patent Number: Des. 401,377**

[45] **Date of Patent: **Nov. 17, 1998**

[54] **TABLE LAMP**

[75] Inventor: **Paul W. Eusterbrock**, Minneapolis, Minn.

[73] Assignee: **Holtkotter International, Inc.**, South St. Paul, Minn.

[**] Term: **14 Years**

[21] Appl. No.: **80,923**

[22] Filed: **Dec. 19, 1997**

[51] **LOC (6) Cl.** **26-05**

[52] **U.S. Cl.** **D26/107**

[58] **Field of Search** D26/60-66, 93,
D26/102-112; 362/410-414, 269, 275,
287, 418, 419, 427, 428, 429, 401

[56] **References Cited**

PUBLICATIONS

Abatare, p. 205, desk lamp, Dec. 1988.
Home Decorator's Collection, p. 33, Sep. 1995.

Primary Examiner—Susan J. Lucas
Attorney, Agent, or Firm—Craig J. Lervick

[57] **CLAIM**

The ornamental design for a table lamp, as shown.

DESCRIPTION

FIG. 1 is a perspective view of a table lamp showing my new design;

FIG. 2 is a top plan view thereof;

FIG. 3 is a front elevational view thereof;

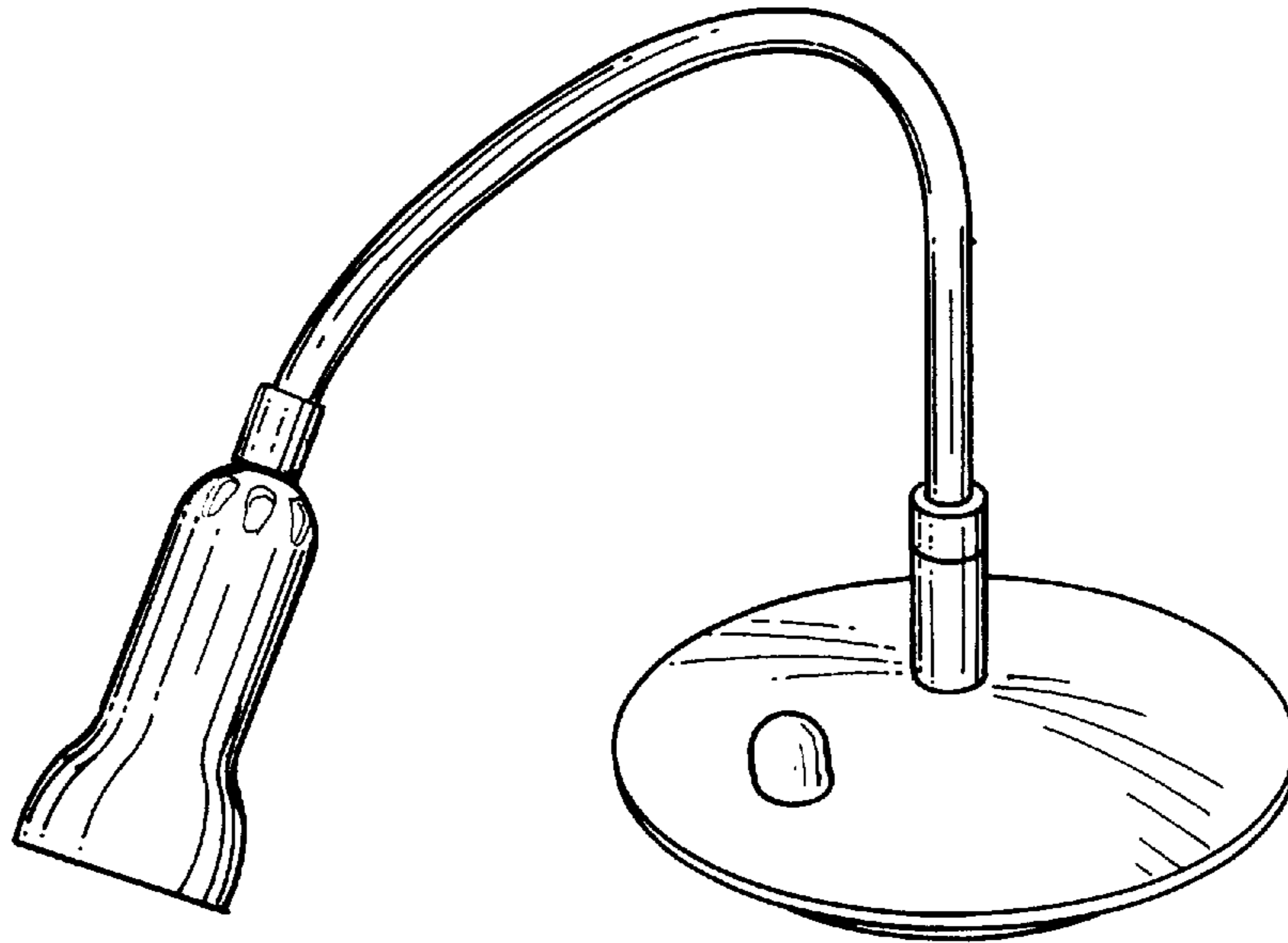
FIG. 4 is a right side elevational view thereof;

FIG. 5 is a left side elevational view thereof;

FIG. 6 is a rear elevational view thereof; and,

FIG. 7 is a bottom view thereof.

1 Claim, 2 Drawing Sheets



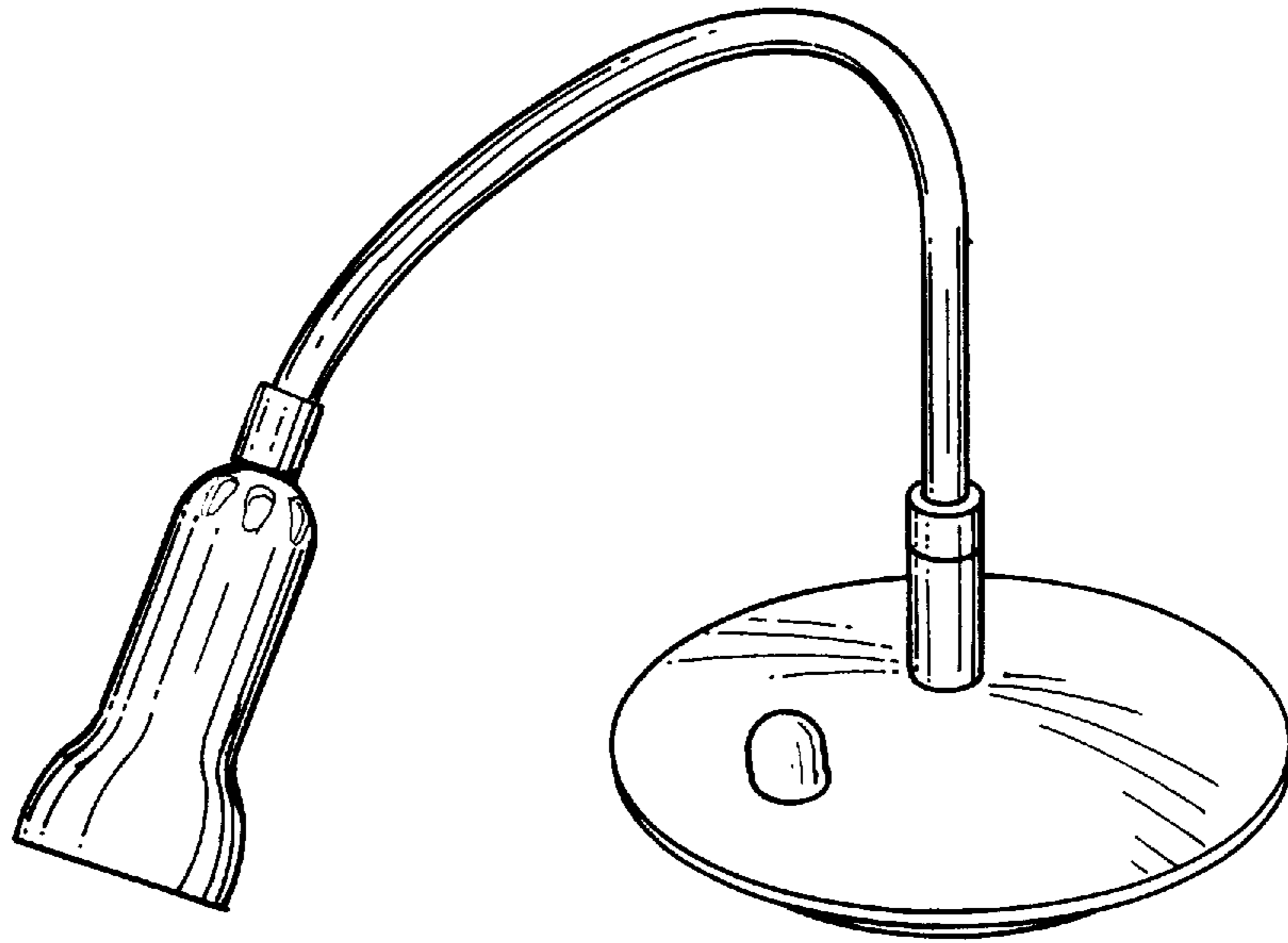


Fig. 1

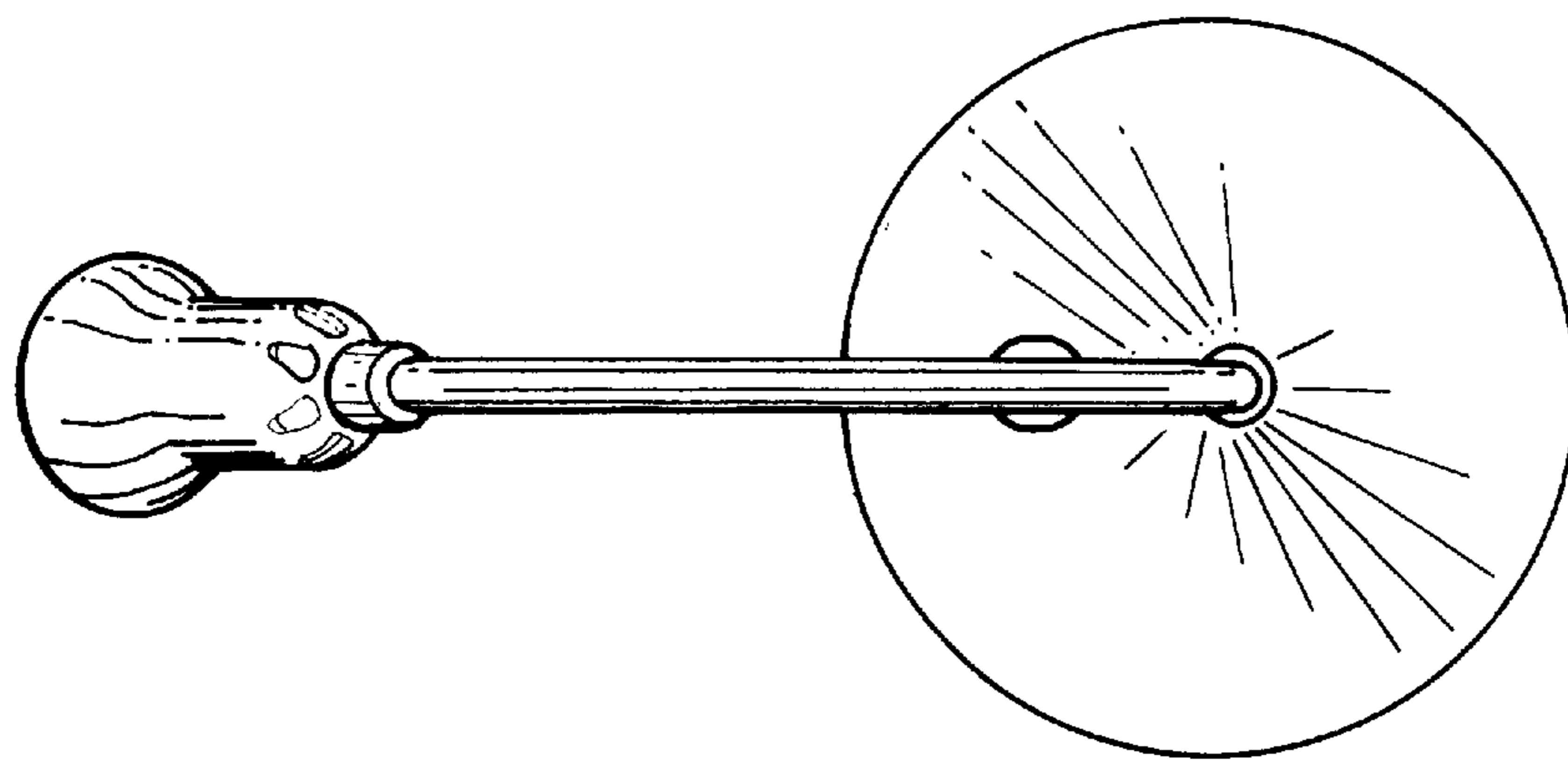


Fig. 2

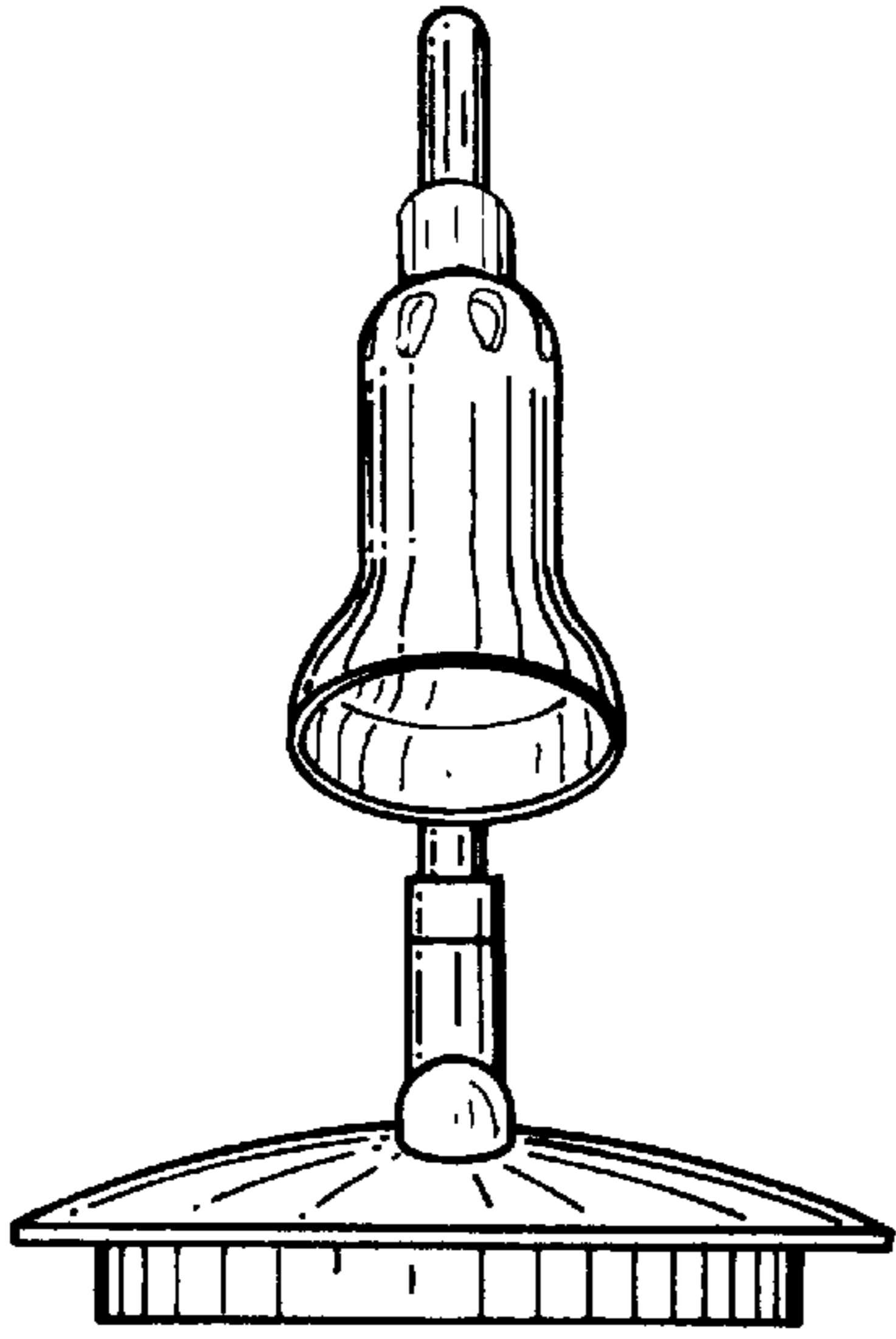


Fig. 3

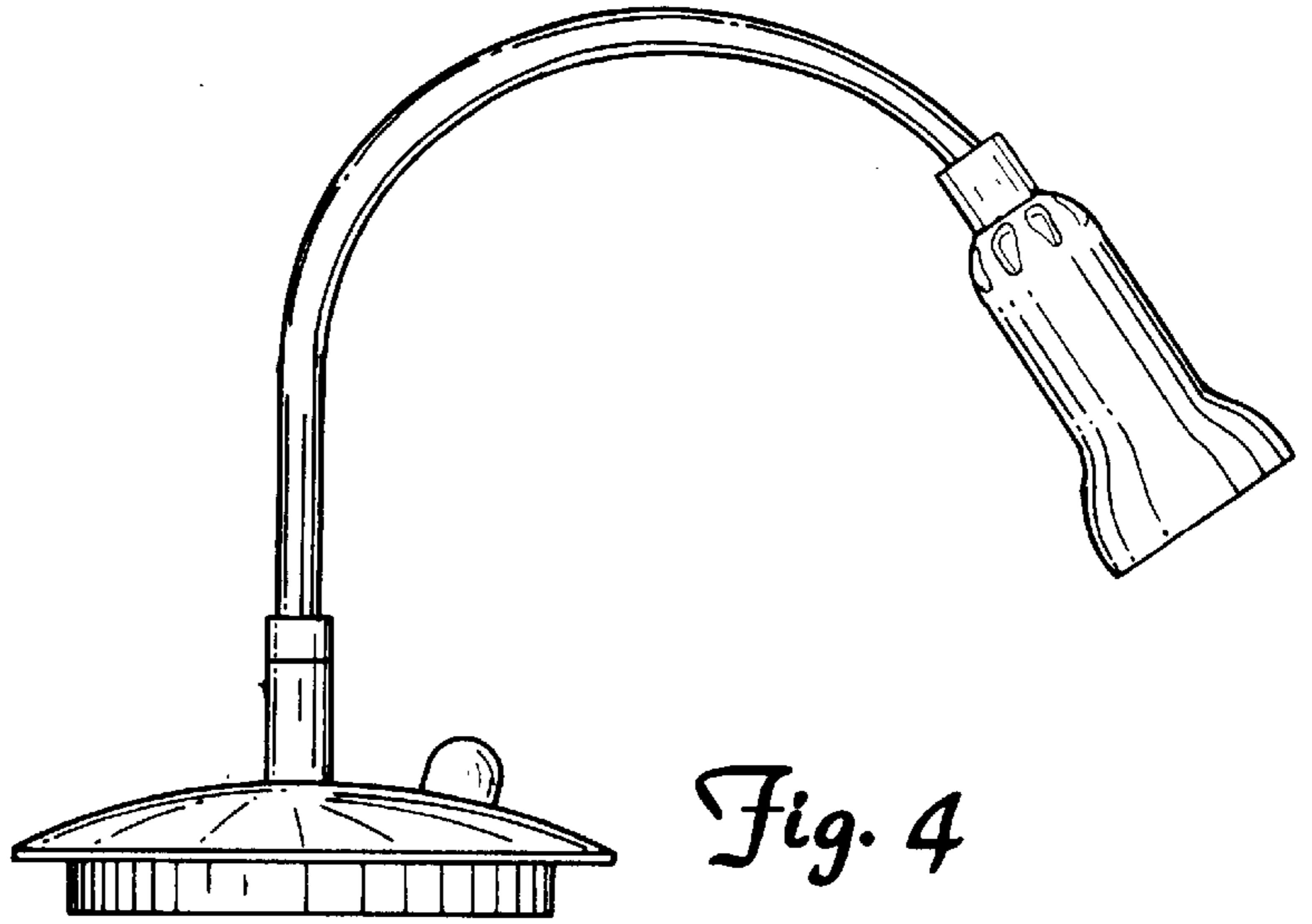


Fig. 4

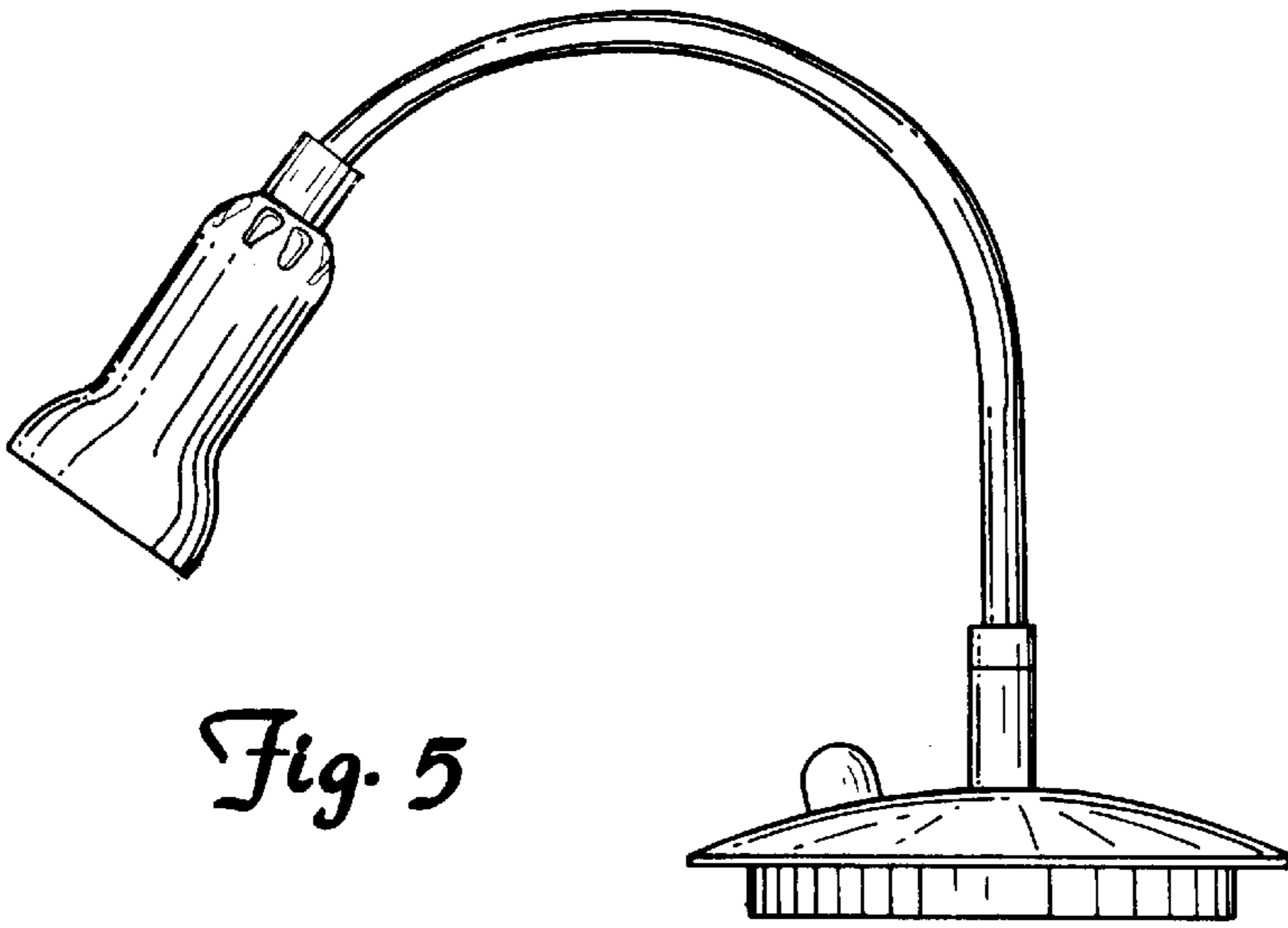


Fig. 5

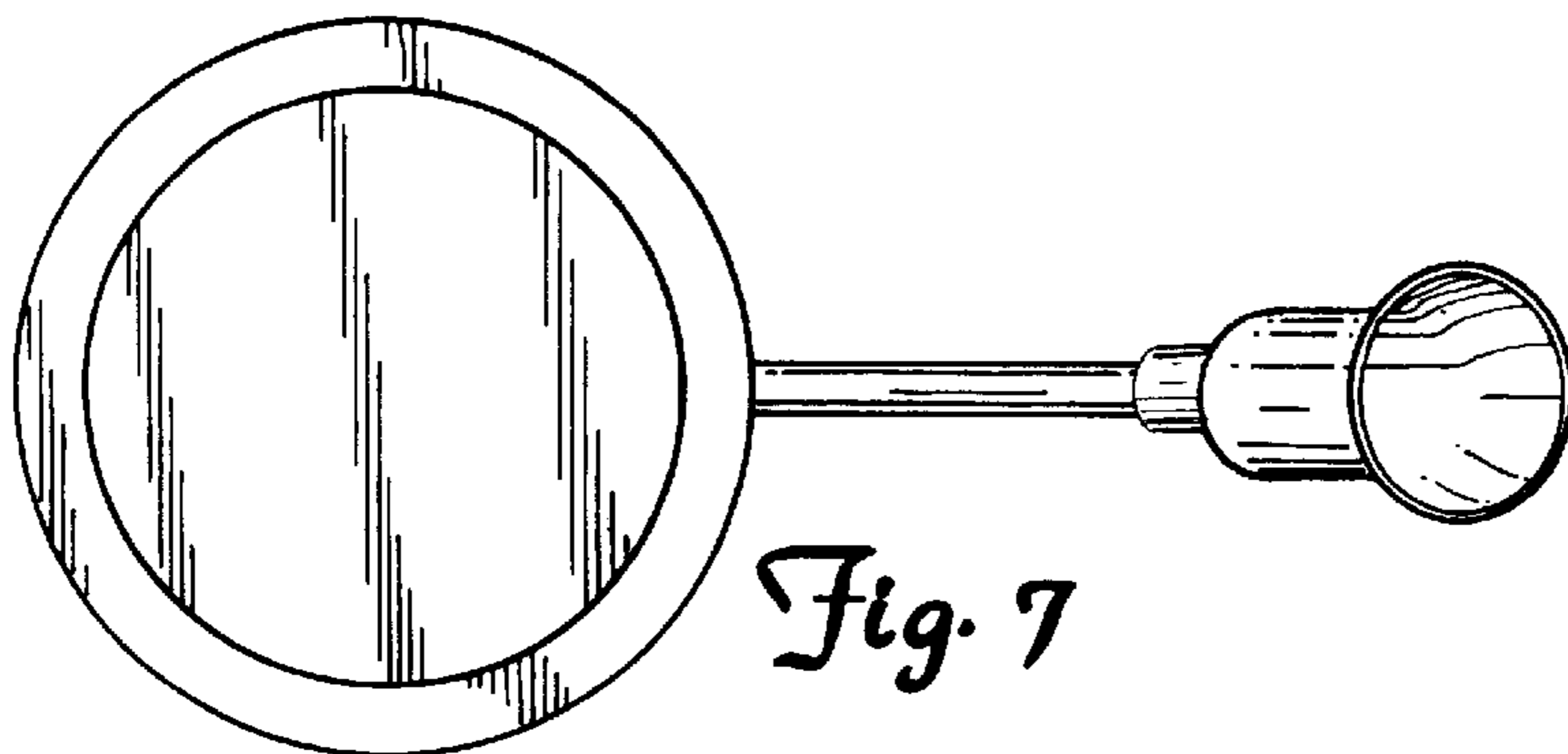


Fig. 7

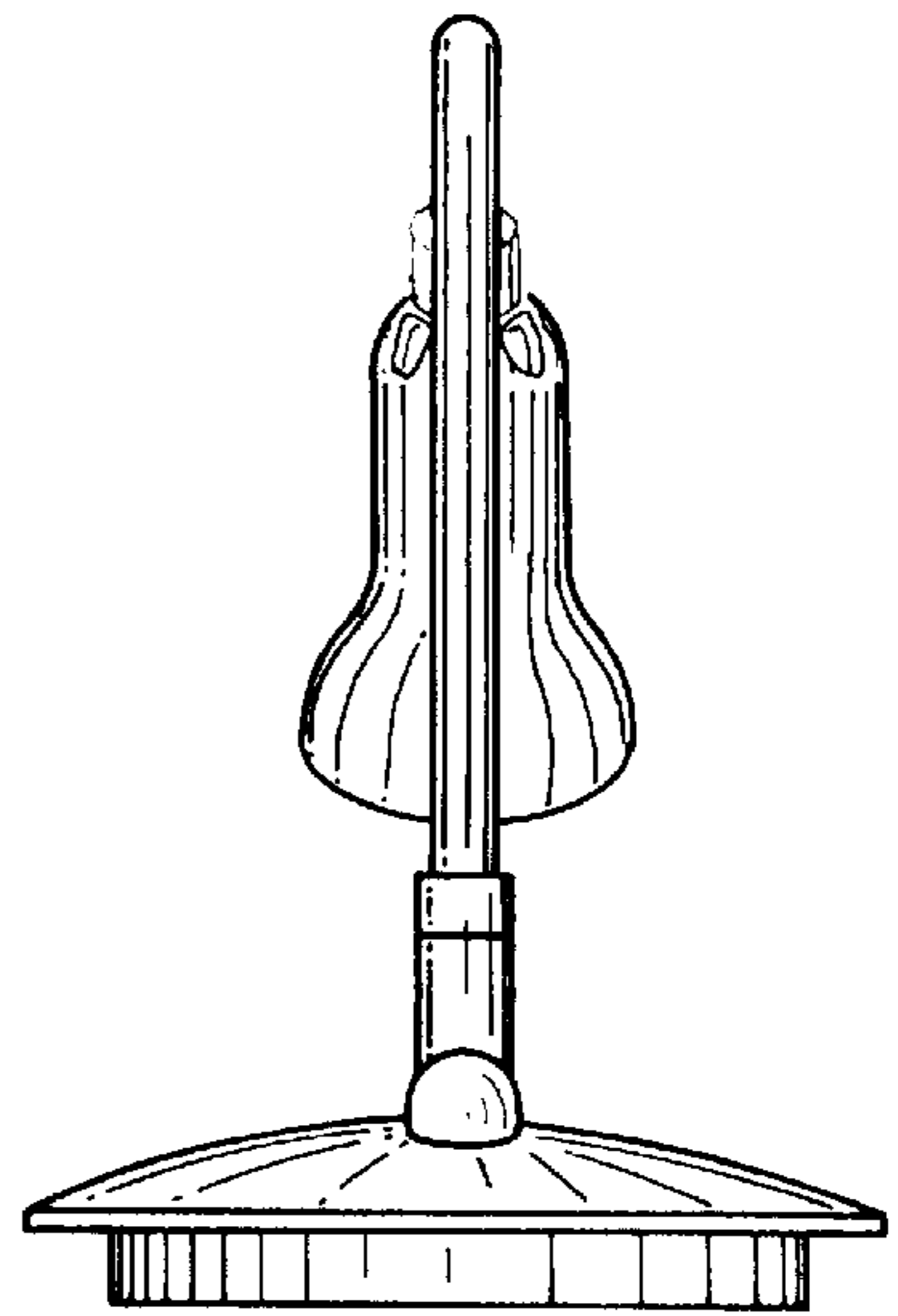


Fig. 6