



US00D401376S

United States Patent [19] Ho

[11] **Patent Number: Des. 401,376**

[45] **Date of Patent: **Nov. 17, 1998**

[54] **LIGHTING FIXTURE**

[75] Inventor: **Yeou-Mine Ho**, Walnut, Calif.

[73] Assignee: **Michigan Avenue Industrial Corporation**, Bell, Calif.

[**] Term: **14 Years**

[21] Appl. No.: **83,347**

[22] Filed: **Feb. 6, 1998**

[51] **LOC (6) Cl.** **26-05**

[52] **U.S. Cl.** **D26/86**

[58] **Field of Search** 362/236, 240,
362/244, 246, 249, 147, 404, 376, 33, 374;
D26/72, 80-92

[56] **References Cited**

U.S. PATENT DOCUMENTS

D. 132,144 4/1942 Hallman D26/84
5,695,278 12/1997 Grossman et al. 362/374

OTHER PUBLICATIONS

Danalite lighting catalog, front cover, linear lighting system,
Sep. 1991.

Primary Examiner—Susan J. Lucas

Attorney, Agent, or Firm—David A. Farah; Sheldon & Mak

[57] **CLAIM**

The ornamental design for a lighting fixture, as shown and described.

DESCRIPTION

FIG. 1 is a front perspective view of a lighting fixture having two lights according to my new design;

FIG. 2 is a top plan view of the lighting fixture shown in FIG. 1;

FIG. 3 is a right side elevational view of the lighting fixture shown in FIG. 1;

FIG. 4 is a bottom plan view of the lighting fixture shown in FIG. 1;

FIG. 5 is a left end elevational view of the lighting fixture shown in FIG. 1;

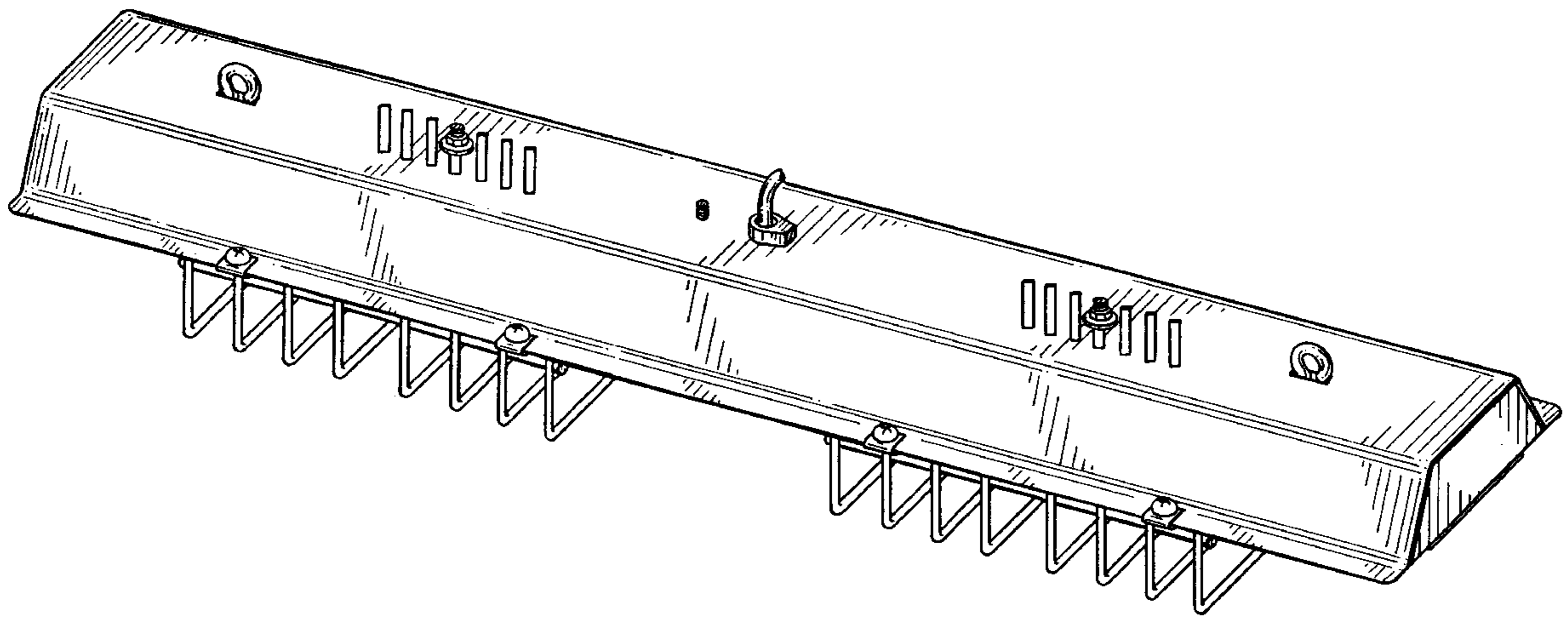
FIG. 6 is a right end elevational view of the lighting fixture shown in FIG. 1;

FIG. 7 is a front perspective view of a lighting fixture having one light according to another embodiment of my new design; and,

FIG. 8 is a front perspective view of a lighting fixture having three lights according to another embodiment of my new design.

The second and third embodiments of the design differ from the first embodiment only in length of the fixture and the number of lights.

1 Claim, 3 Drawing Sheets



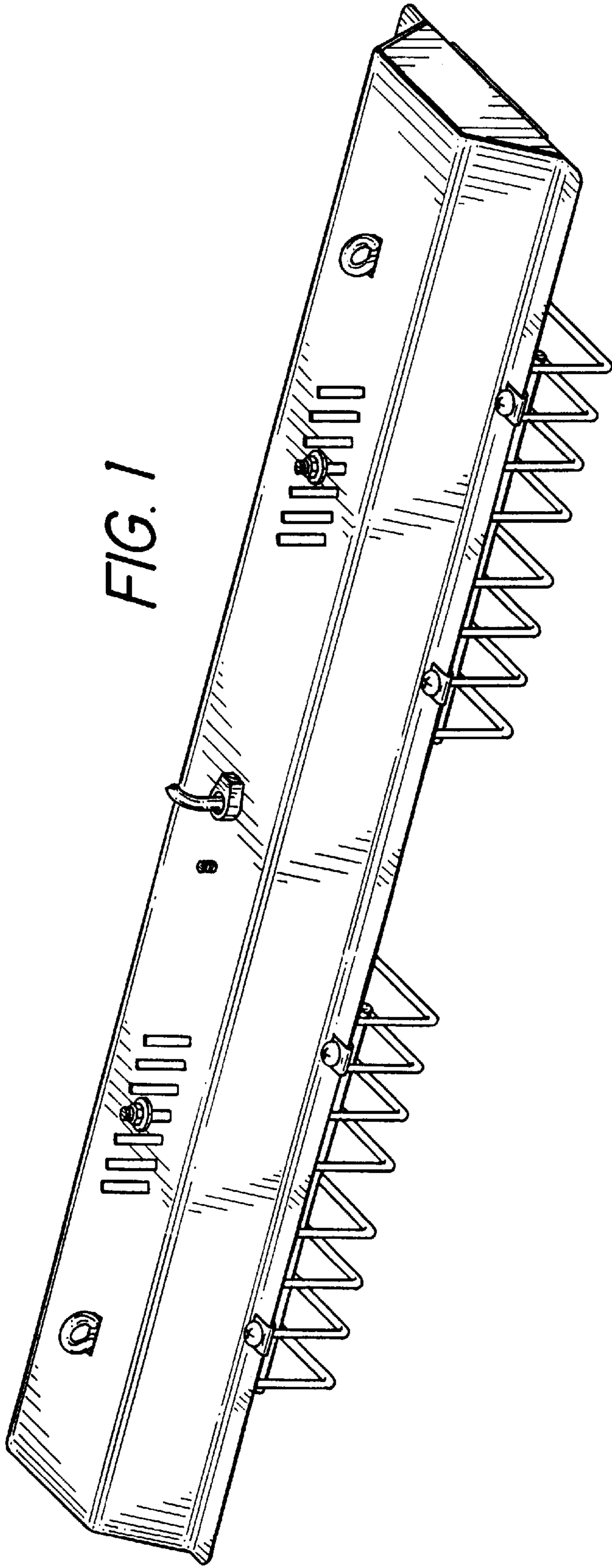


FIG. 6

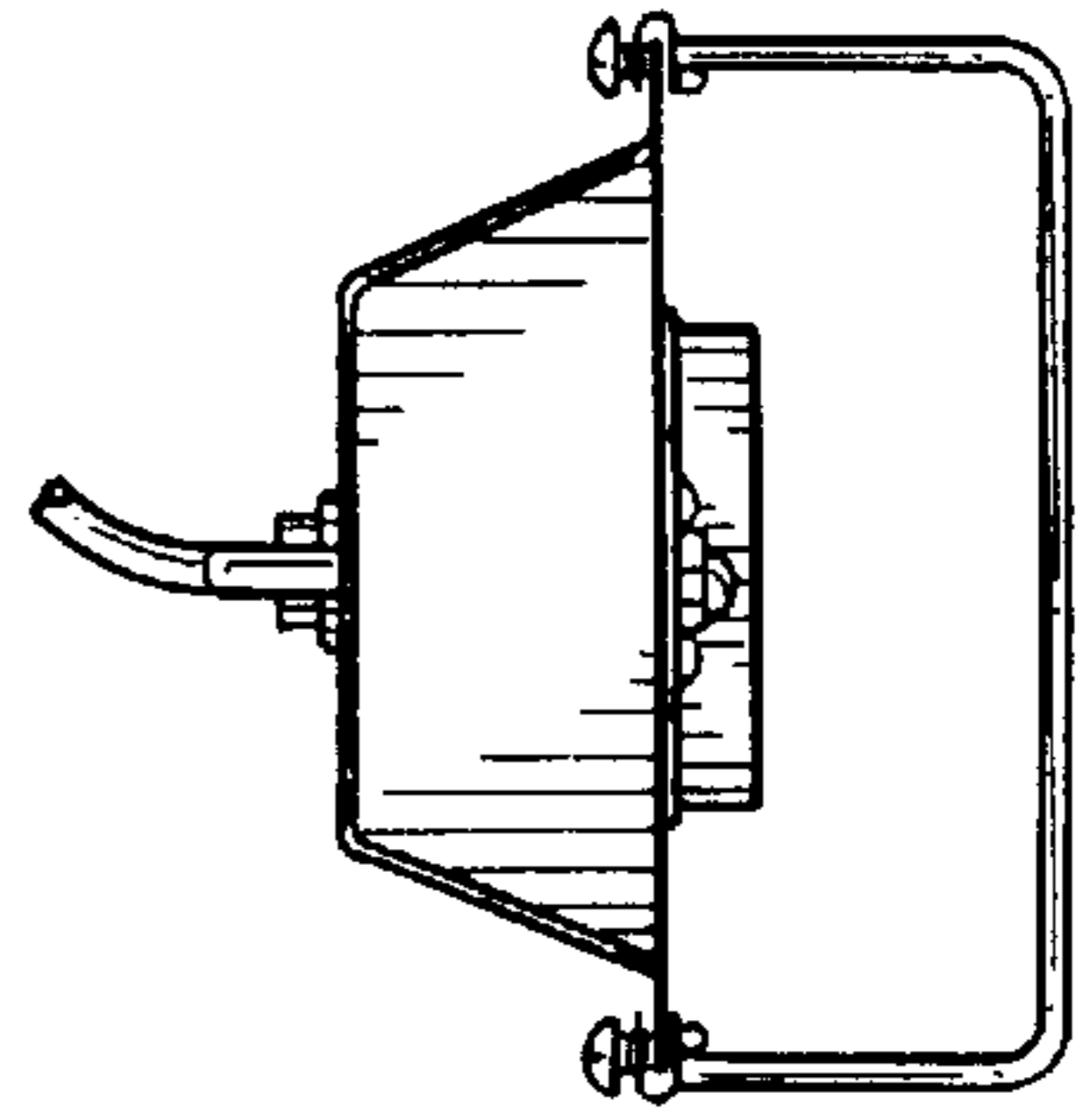


FIG. 5

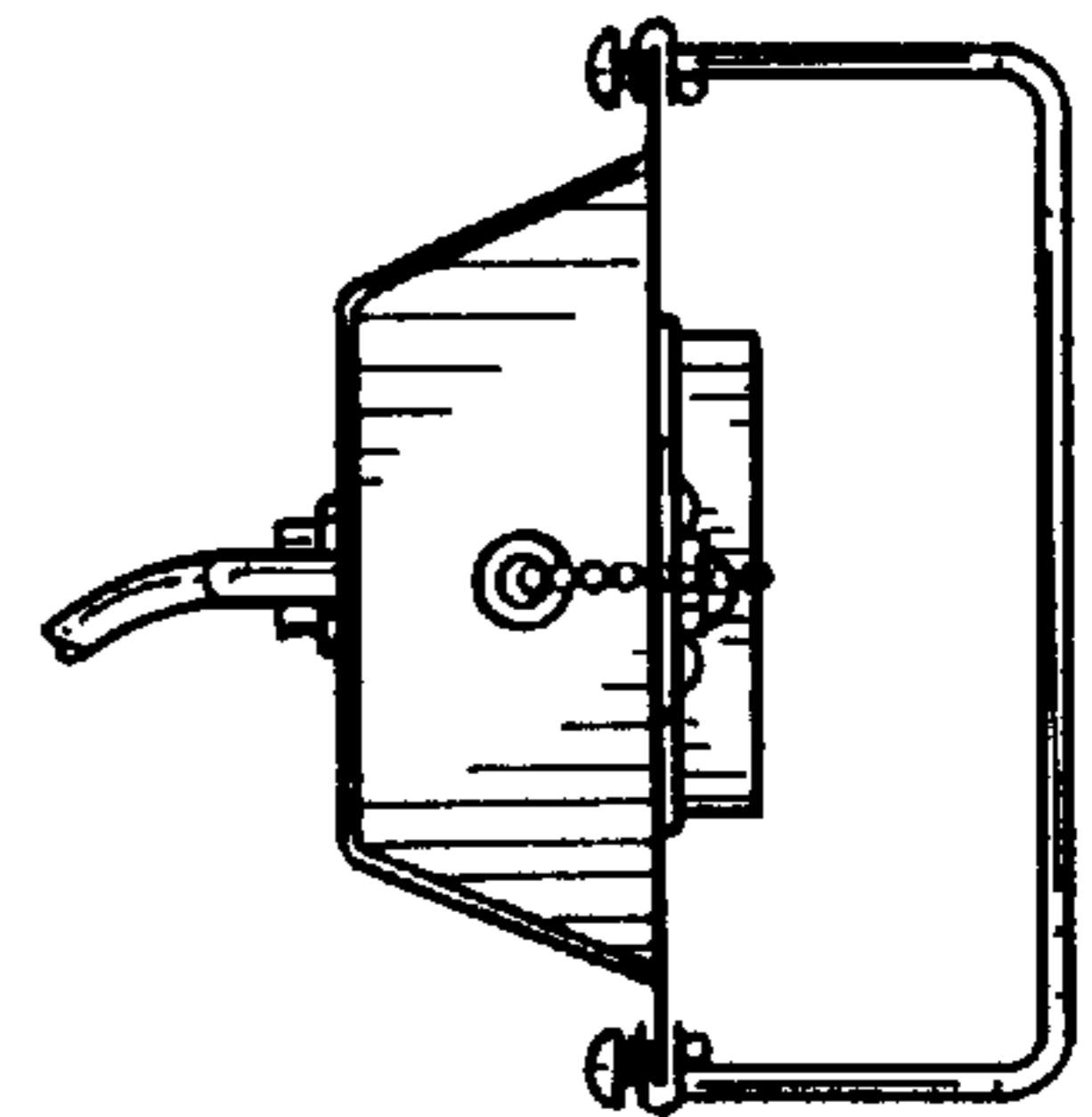


FIG. 2

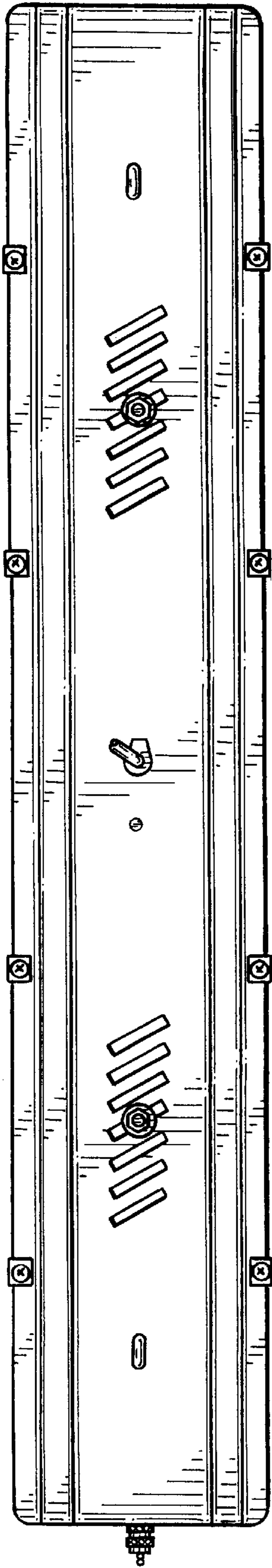


FIG. 3

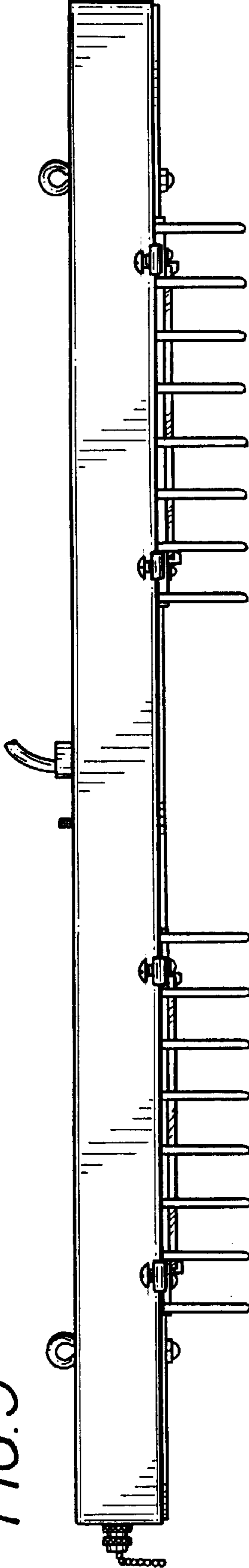


FIG. 4

