



US00D401374S

# United States Patent [19]

[11] **Patent Number: Des. 401,374**

**Lum**

[45] **Date of Patent: \*\*Nov. 17, 1998**

[54] **COMBINED FLASHLIGHT POLICE BATON AND SELF-DEFENSE SPRAY UNIT**

3,737,649 6/1973 Nelson et al. .... D26/48

[76] Inventor: **Jonathan B. Lum**, 1310-D Moanalualani Pl., Honolulu, Hi. 96819

*Primary Examiner*—Marcus A. Jackson

[\*\*] Term: **14 Years**

[57] **CLAIM**

[21] Appl. No.: **83,278**

I claim the ornamental design for a combined flashlight, police baton and self-defense spray unit, as shown and described.

[22] Filed: **Feb. 9, 1998**

**DESCRIPTION**

[51] **LOC (6) Cl.** ..... **26-02**

FIG. 1 is an exploded perspective view of the combined flashlight, police baton and self-defense spray unit showing my new design;

[52] **U.S. Cl.** ..... **D26/38**

FIG. 2 is a left side elevational view thereof, the right side elevational view being a mirror image of the view shown in this Figure;

[58] **Field of Search** ..... D22/117; D26/32-50; 362/96, 157, 158, 200, 201, 253; 222/113, 192

FIG. 3 is a top plan view thereof;

[56] **References Cited**

FIG. 4 is a bottom plan view thereof;

**U.S. PATENT DOCUMENTS**

FIG. 5 is a left end elevational view thereof; and,

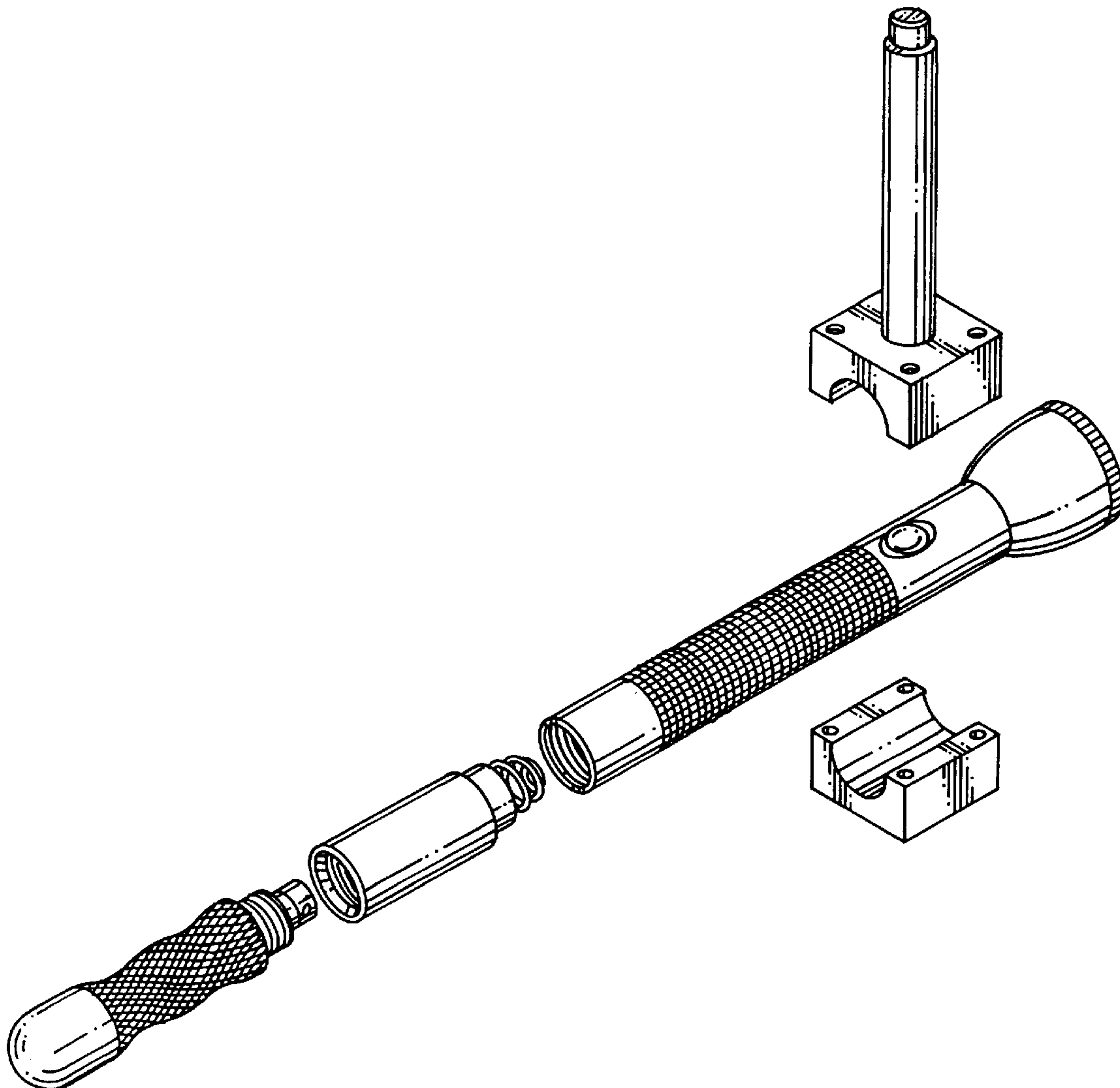
D. 360,674 7/1995 McClean ..... D26/38

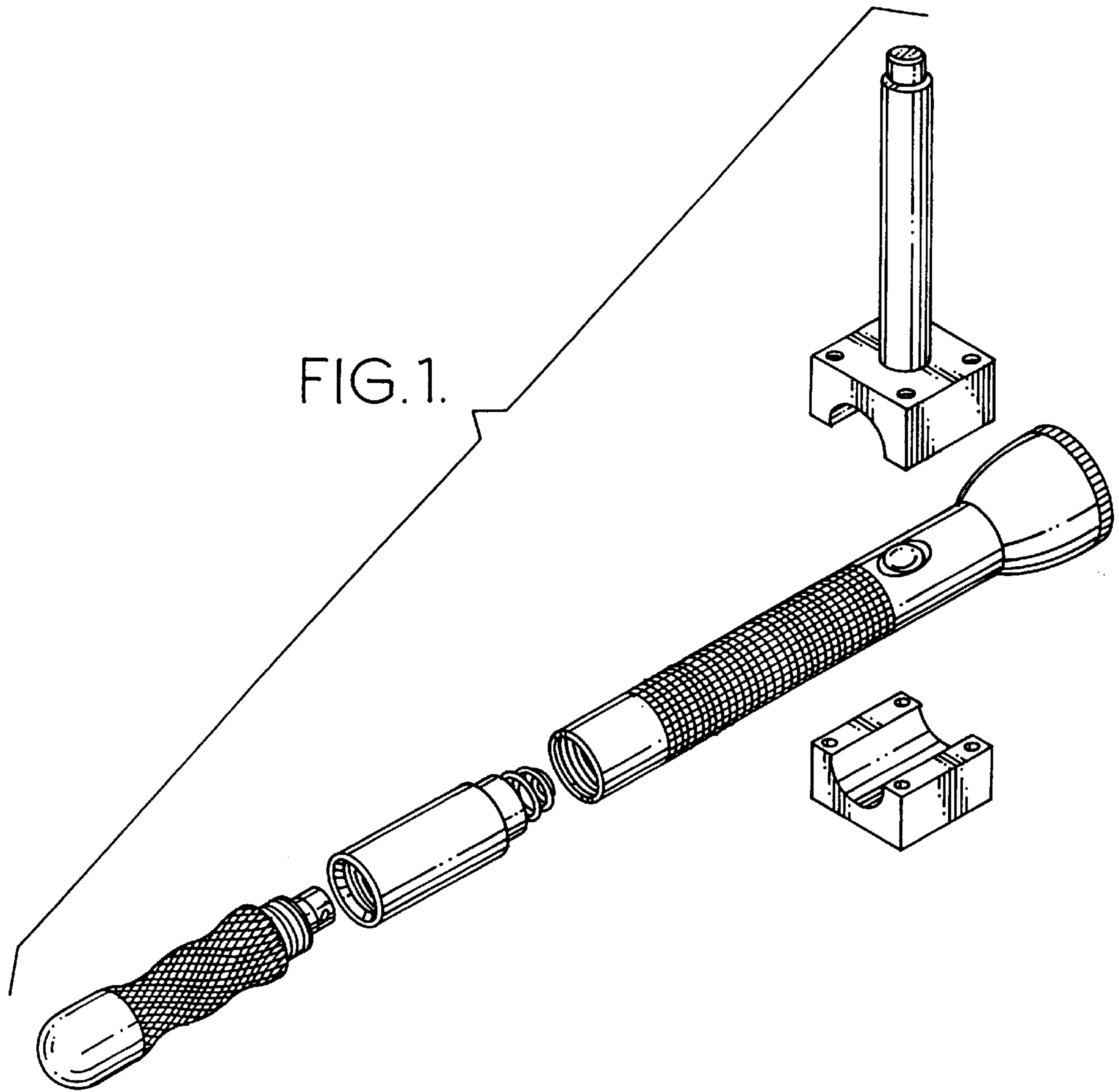
FIG. 6 is a right end elevational view thereof.

D. 371,616 7/1996 Porth et al. .... D26/38

D. 375,994 11/1996 Collins et al. .... D26/38

**1 Claim, 3 Drawing Sheets**





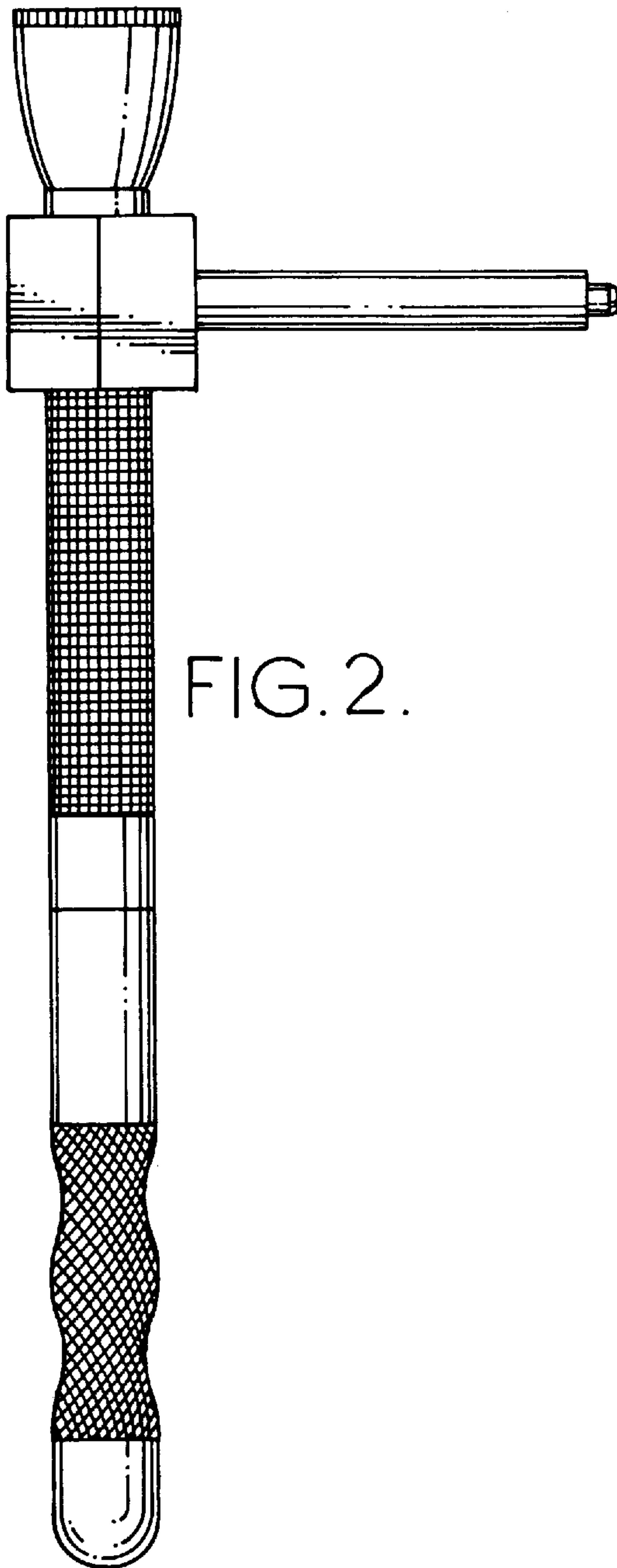


FIG. 2.

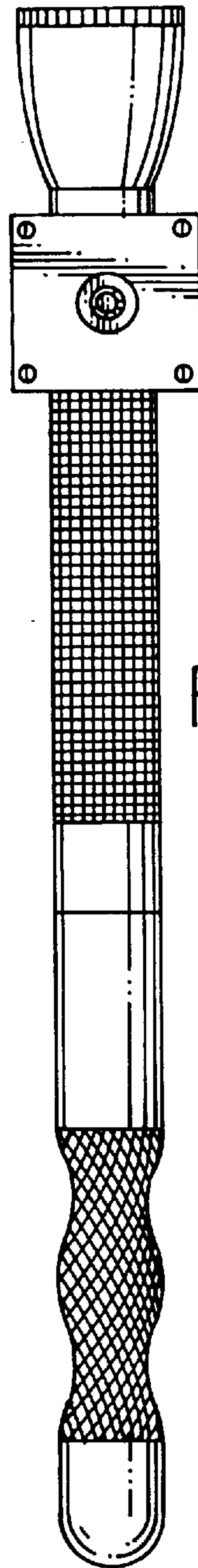


FIG. 3.

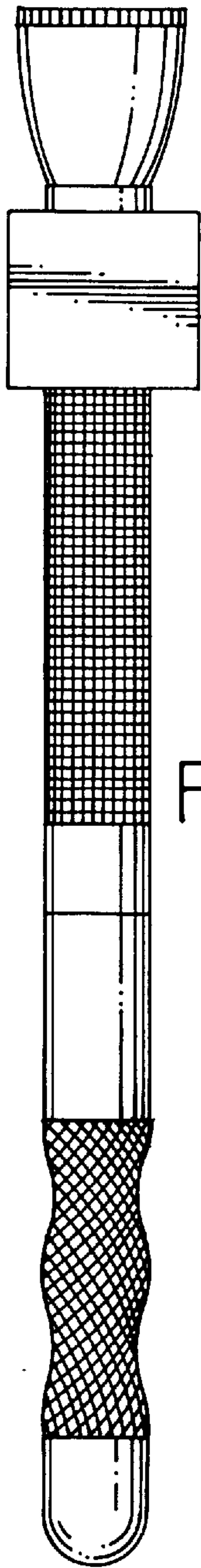


FIG. 4.

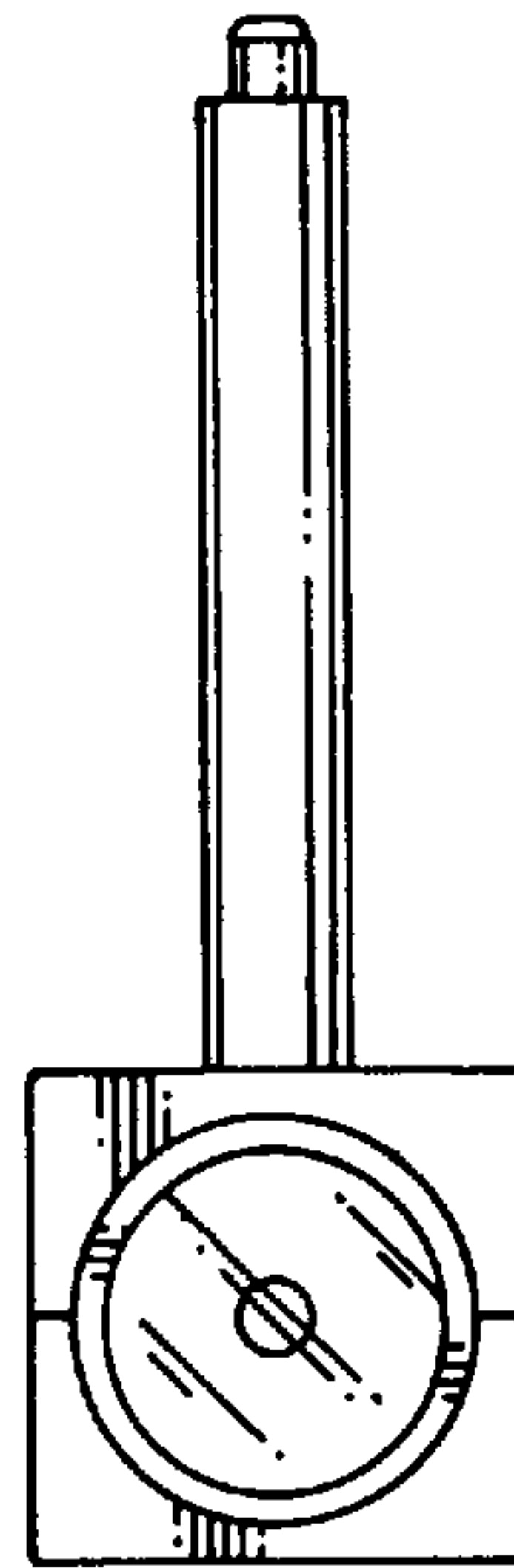


FIG. 5.

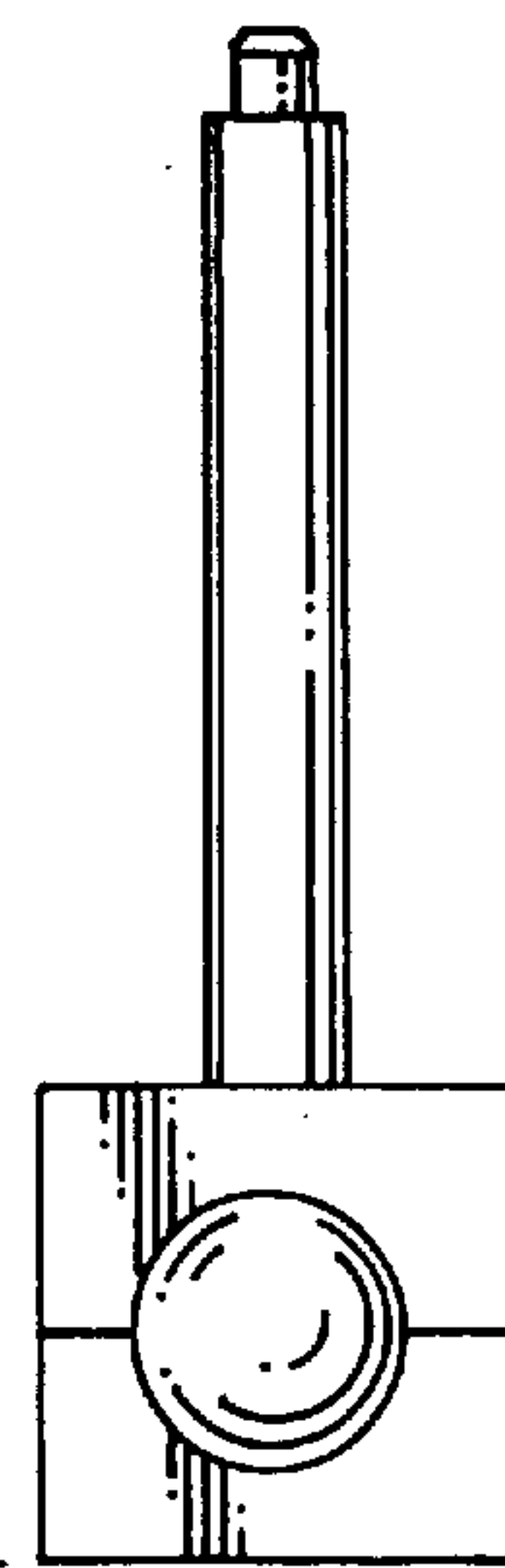


FIG. 6.