



US00D401373S

# United States Patent [19] Blye

[11] Patent Number: **Des. 401,373**

[45] Date of Patent: **\*\*Nov. 17, 1998**

[54] **PORTABLE HINGED FLOURESCENT LIGHT**

D. 331,634 12/1992 Browne ..... D26/37  
D. 389,931 1/1998 Kovacik et al. .... D26/37

[75] Inventor: **Bruce A. Blye**, Commerce, Calif.

*Primary Examiner*—Marcus A. Jackson  
*Attorney, Agent, or Firm*—Edgar W. Averill, Jr.

[73] Assignee: **National Electric Mfg Corp.**,  
Commerce, Calif.

[57] **CLAIM**

[\*\*] Term: **14 Years**

The ornamental design for a portable hinged florescent light,  
as shown and described.

[21] Appl. No.: **84,346**

**DESCRIPTION**

[22] Filed: **Mar. 2, 1998**

[51] **LOC (6) Cl.** ..... **26-02**

[52] **U.S. Cl.** ..... **D26/49**

[58] **Field of Search** ..... D26/37-50; D10/114;  
362/157, 158, 183-208, 404, 407, 376,  
377, 378

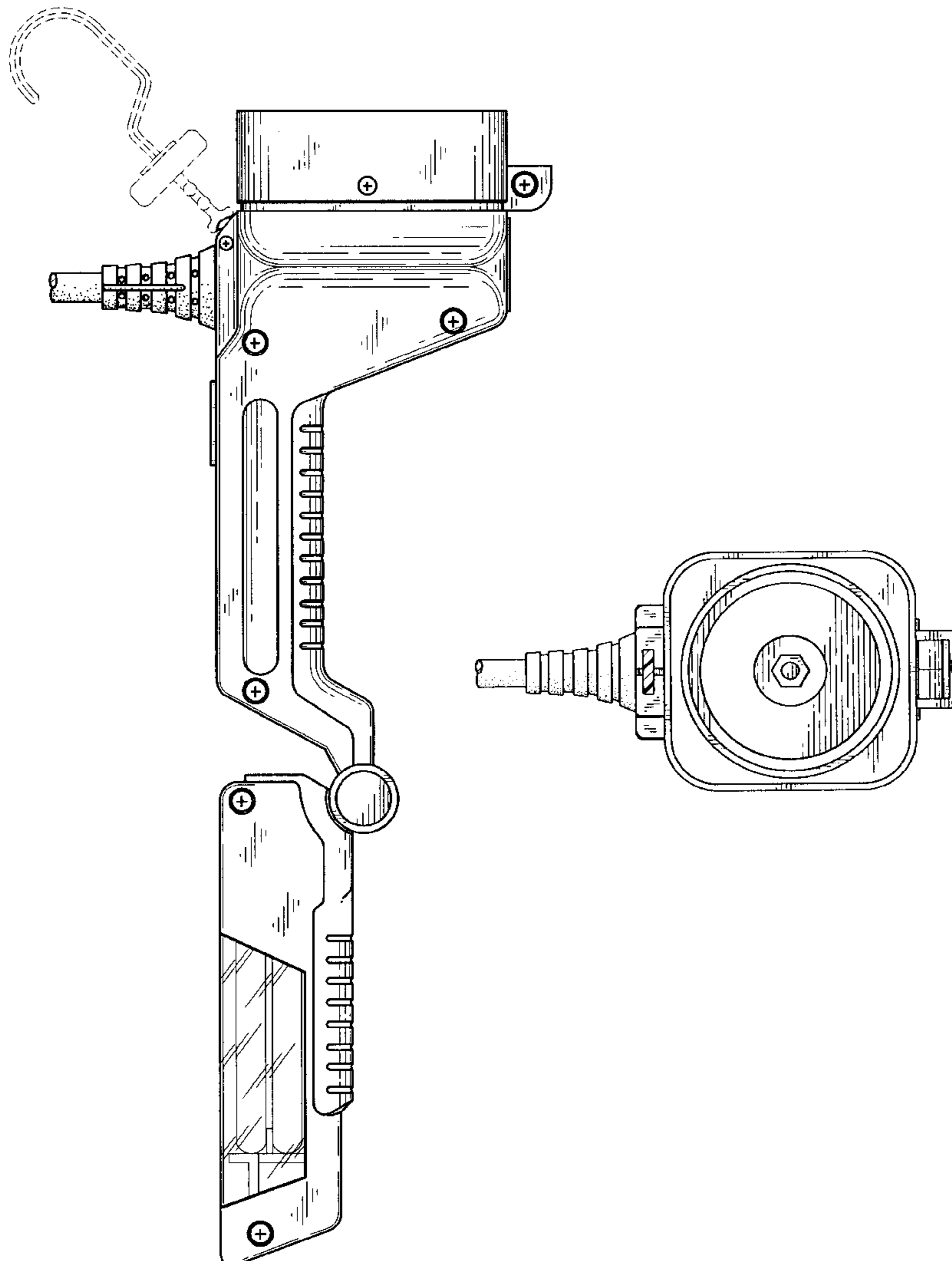
FIG. 1 is a front view of the portable hinged florescent light;  
FIG. 2 is a right side view thereof, with the broken line  
showing for illustrative purposes only and forming no part  
of the claimed design, and with the cord broken away to  
indicate indeterminate length;  
FIG. 3 is a rear view thereof;  
FIG. 4 is a left side view thereof;  
FIG. 5 is a top view thereof;  
FIG. 6 is a bottom view thereof; and,  
FIG. 7 is a right view thereof analogous to FIG. 2 except that  
the light is shown in a closed configuration.

[56] **References Cited**

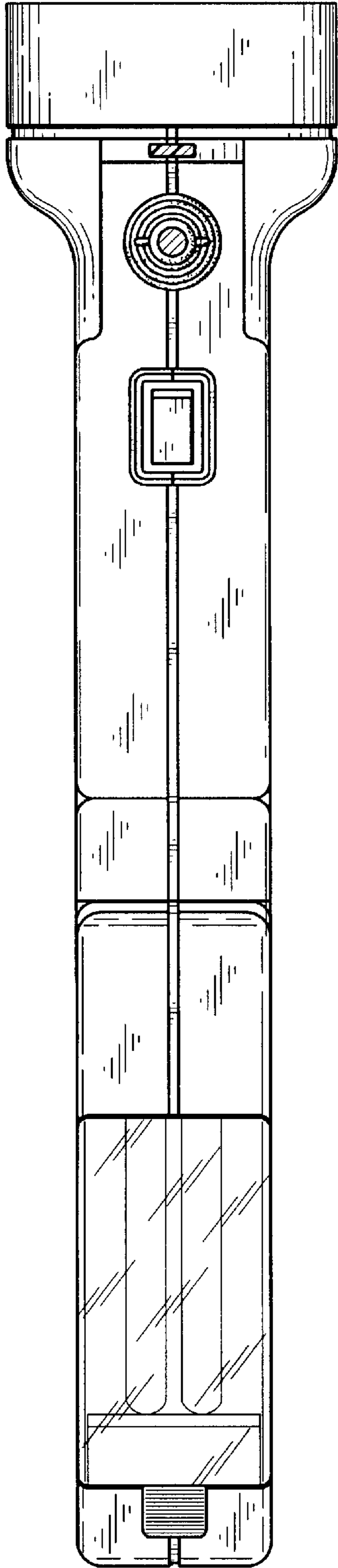
**U.S. PATENT DOCUMENTS**

D. 271,057 10/1983 Jirpik ..... D26/37  
D. 312,316 11/1990 Molony et al. .... D26/37  
D. 322,680 12/1991 Baggio ..... D26/37

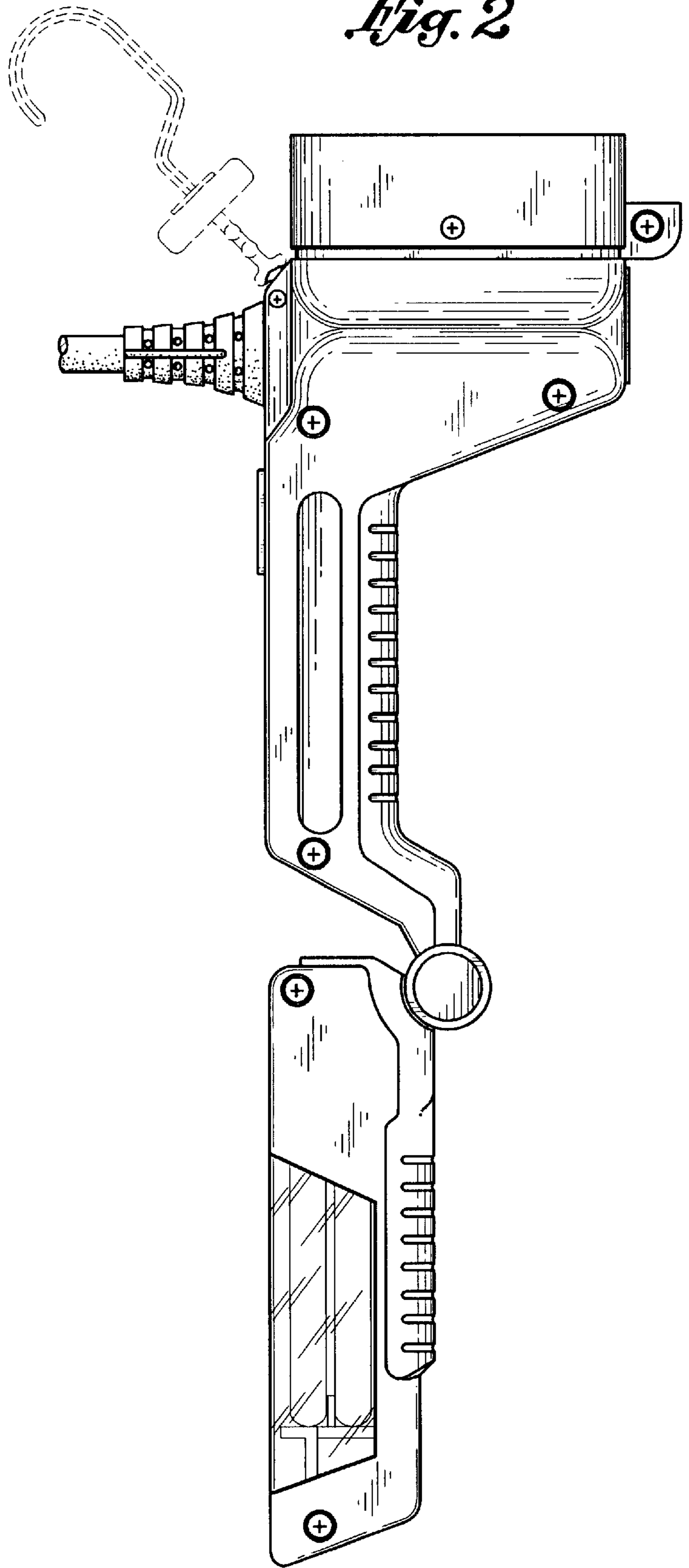
**1 Claim, 3 Drawing Sheets**



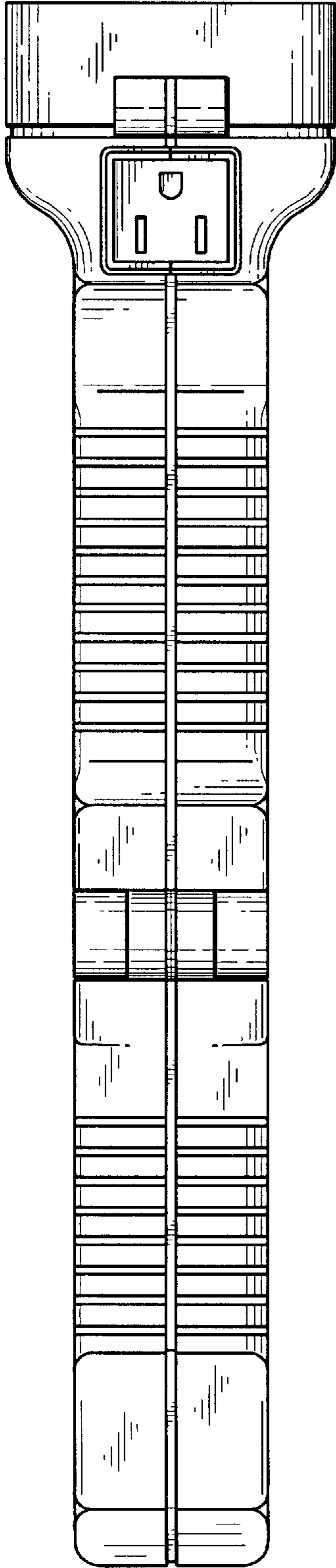
*Fig. 1*



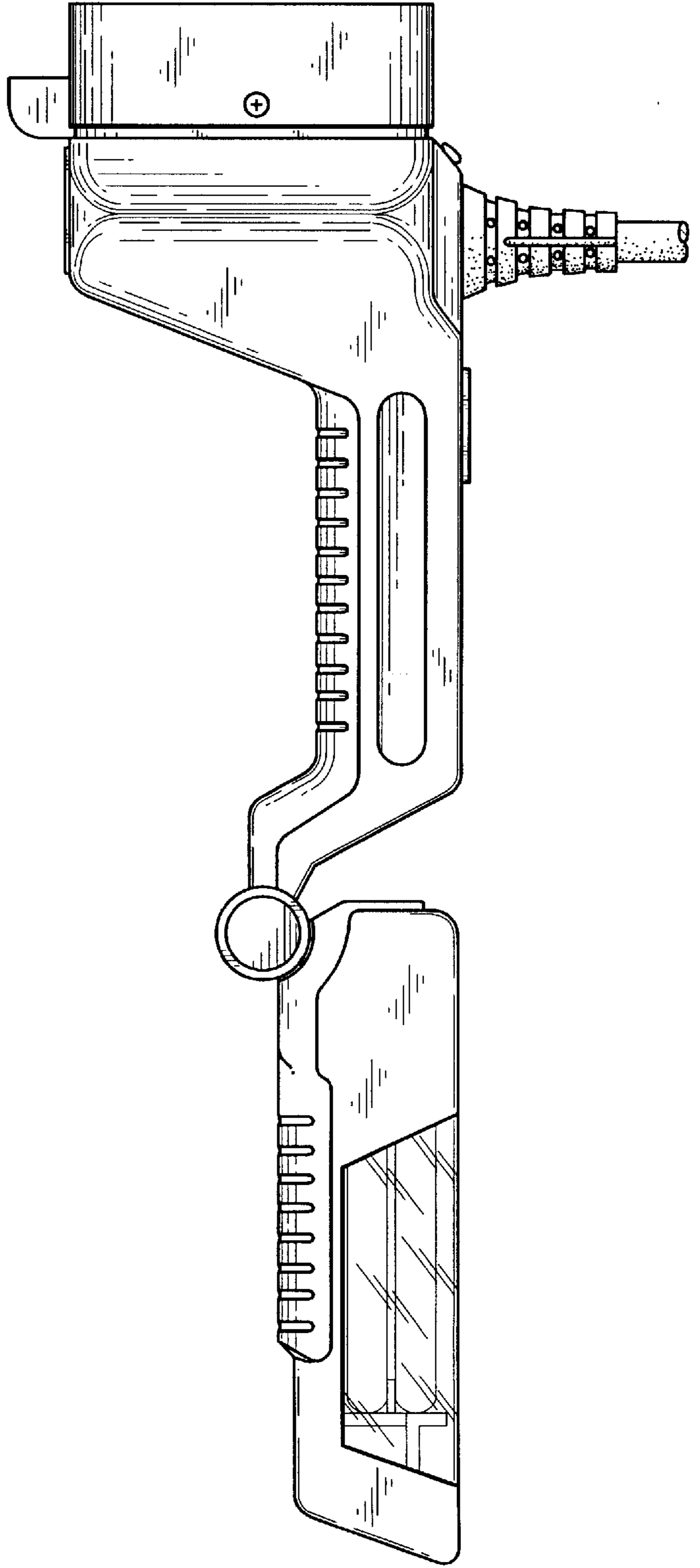
*Fig. 2*



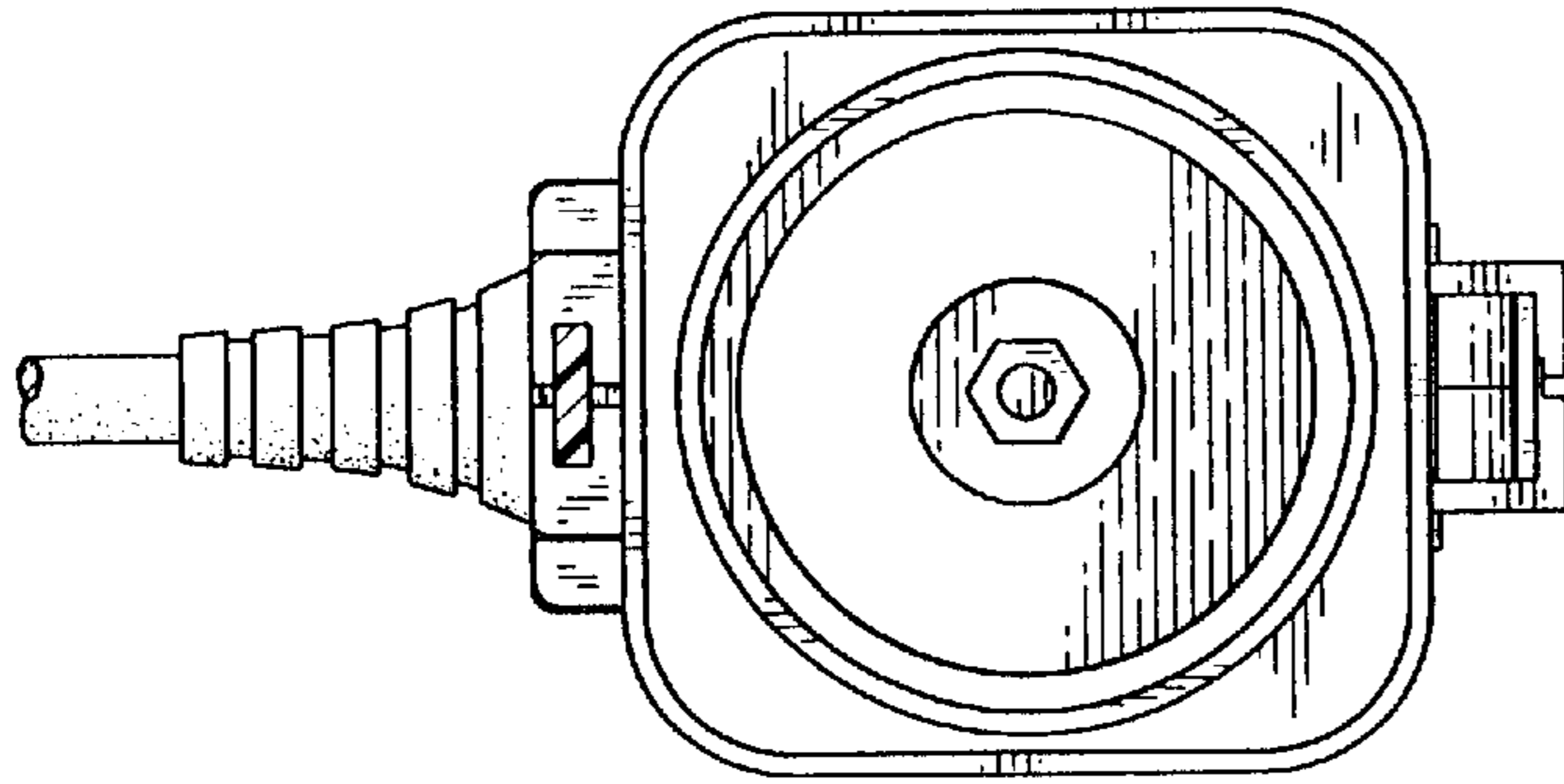
*Fig. 3*



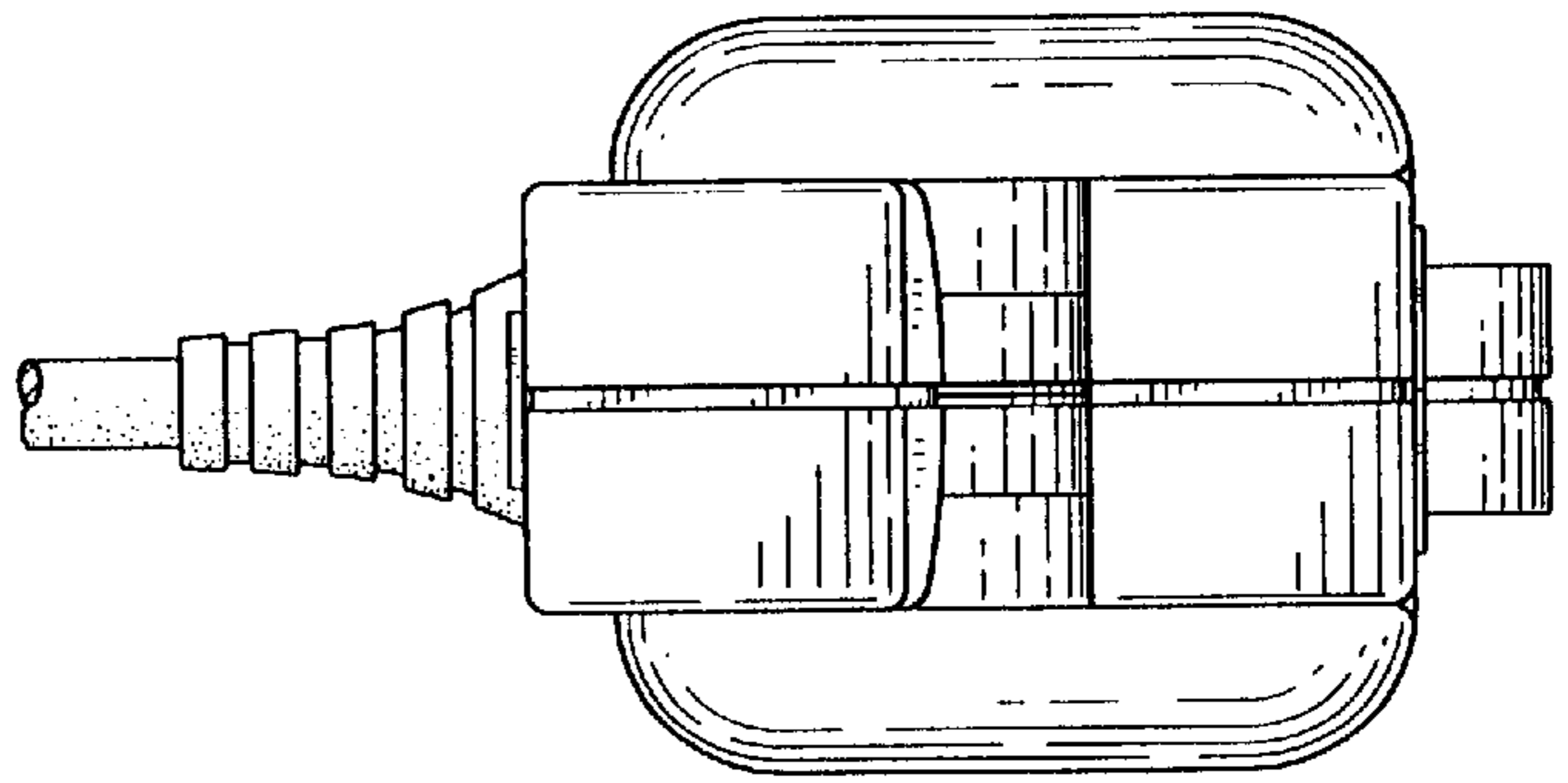
*Fig. 4*



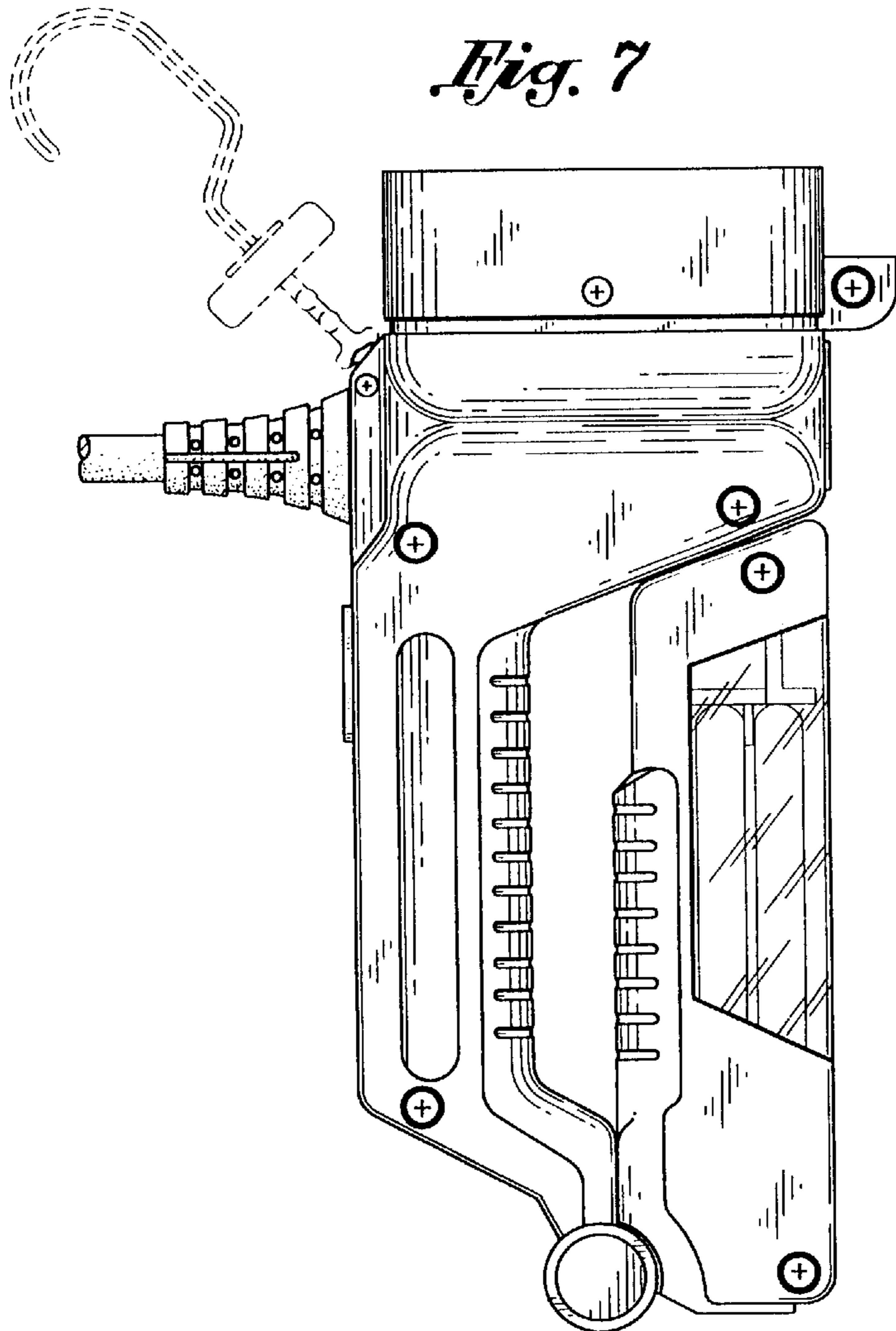
*Fig. 5*



*Fig. 6*



*Fig. 7*



UNITED STATES PATENT AND TRADEMARK OFFICE  
**CERTIFICATE OF CORRECTION**

PATENT NO. : Des. 401,373  
DATED : November 17, 1998  
INVENTOR(S) : Bruce A. Blye

It is certified that error appears in the above-identified patent and that said Letters Patent are hereby corrected as shown below:

On the title page, change the title of the invention as follows:

Item [54] "FLOURESCENT" should read --FLORESCENT--  
Column 1, line 1 "FLOURESCENT" should read --Florescent--

Signed and Sealed this  
Ninth Day of March, 1999



Q. TODD DICKINSON

*Acting Commissioner of Patents and Trademarks*

*Attest:*

*Attesting Officer*