



US00D401371S

United States Patent [19]
Chen

[11] **Patent Number: Des. 401,371**

[45] **Date of Patent: **Nov. 17, 1998**

[54] **COMBINED FLASHLIGHT AND
MAGNIFYING LENS**

[76] Inventor: **Mike Chen**, No. 223, Chung-San Rd.,
Sec. 1, Yung-Ho, Taipei Hsien, Taiwan

[**] Term: **14 Years**

[21] Appl. No.: **84,936**

[22] Filed: **Mar. 13, 1998**

[51] **LOC (6) Cl.** **26-02**

[52] **U.S. Cl.** **D26/38**

[58] **Field of Search** D26/37, 50; 362/157,
362/158, 183-191, 194-208

[56] **References Cited**

U.S. PATENT DOCUMENTS

- D. 149,810 6/1948 Graef D26/38
- D. 154,549 7/1949 Koester D26/38
- D. 217,506 5/1970 Knoetgen D26/38

D. 384,175 9/1997 Ziu D26/38

Primary Examiner—Marcus A. Jackson

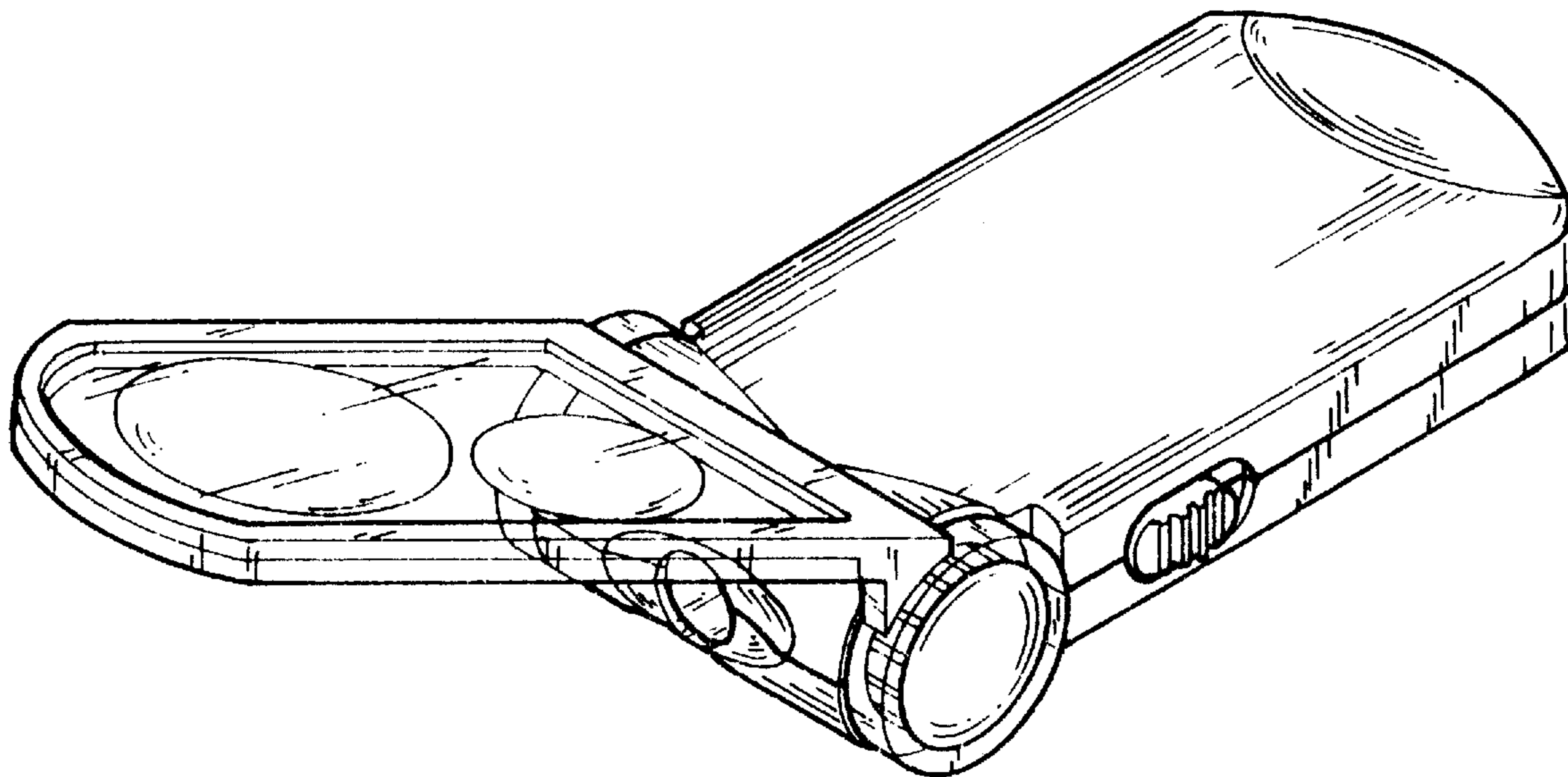
[57] **CLAIM**

The ornamental design for a combined flashlight and magnifying lens, as shown and described.

DESCRIPTION

FIG. 1 is a perspective view of a combined flashlight and magnifying lens showing my new design;
 FIG. 2 is a left side elevational view;
 FIG. 3 is a right side elevational view;
 FIG. 4 is a rear elevational view;
 FIG. 5 is a front elevational view;
 FIG. 6 is a top plan view;
 FIG. 7 is a bottom plan view; and,
 FIG. 8 is a perspective view of a combined flashlight and magnifying lens when the magnifying lens is pivotally folded to the flashlight.

1 Claim, 4 Drawing Sheets



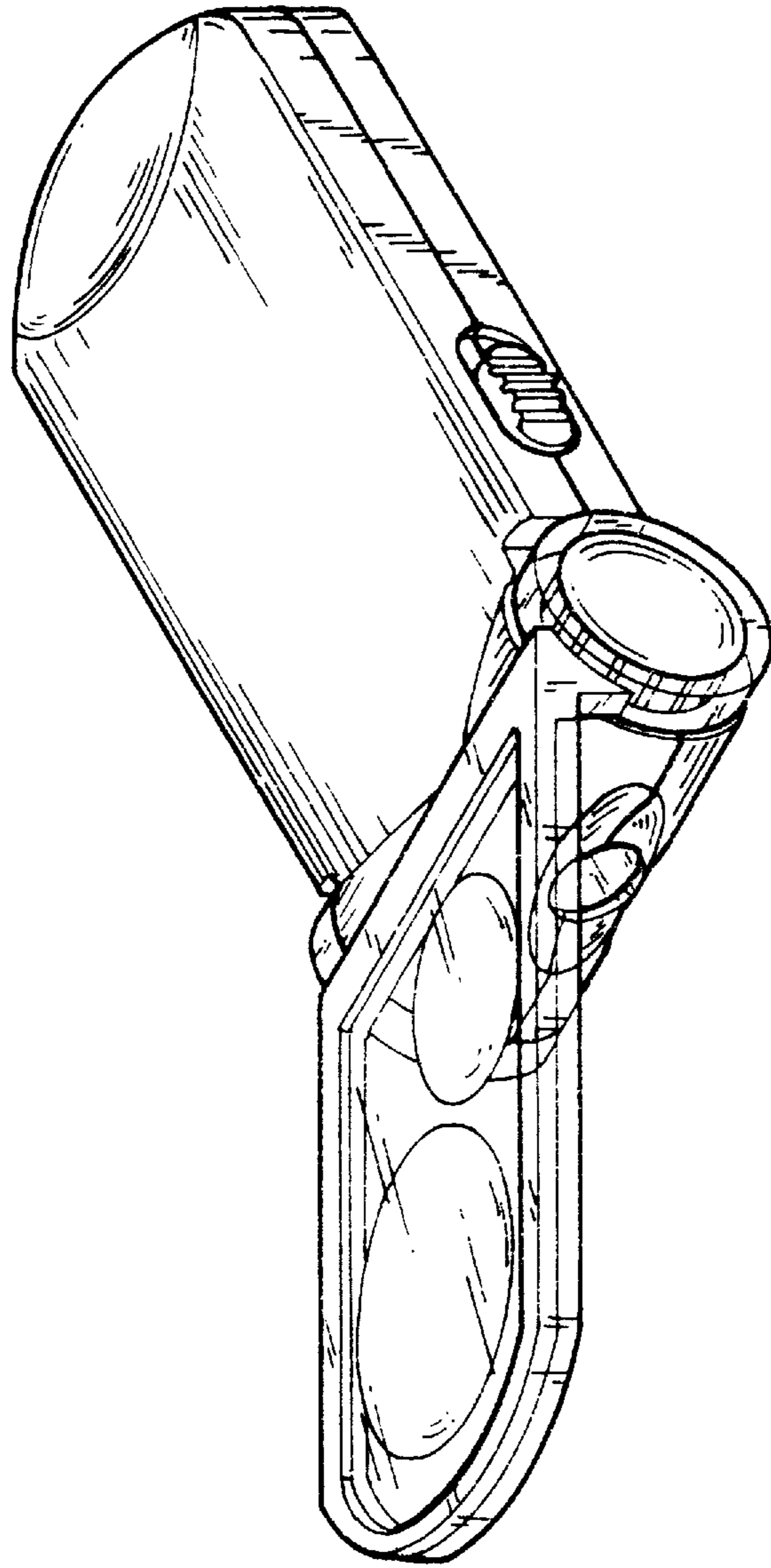


FIG. 1

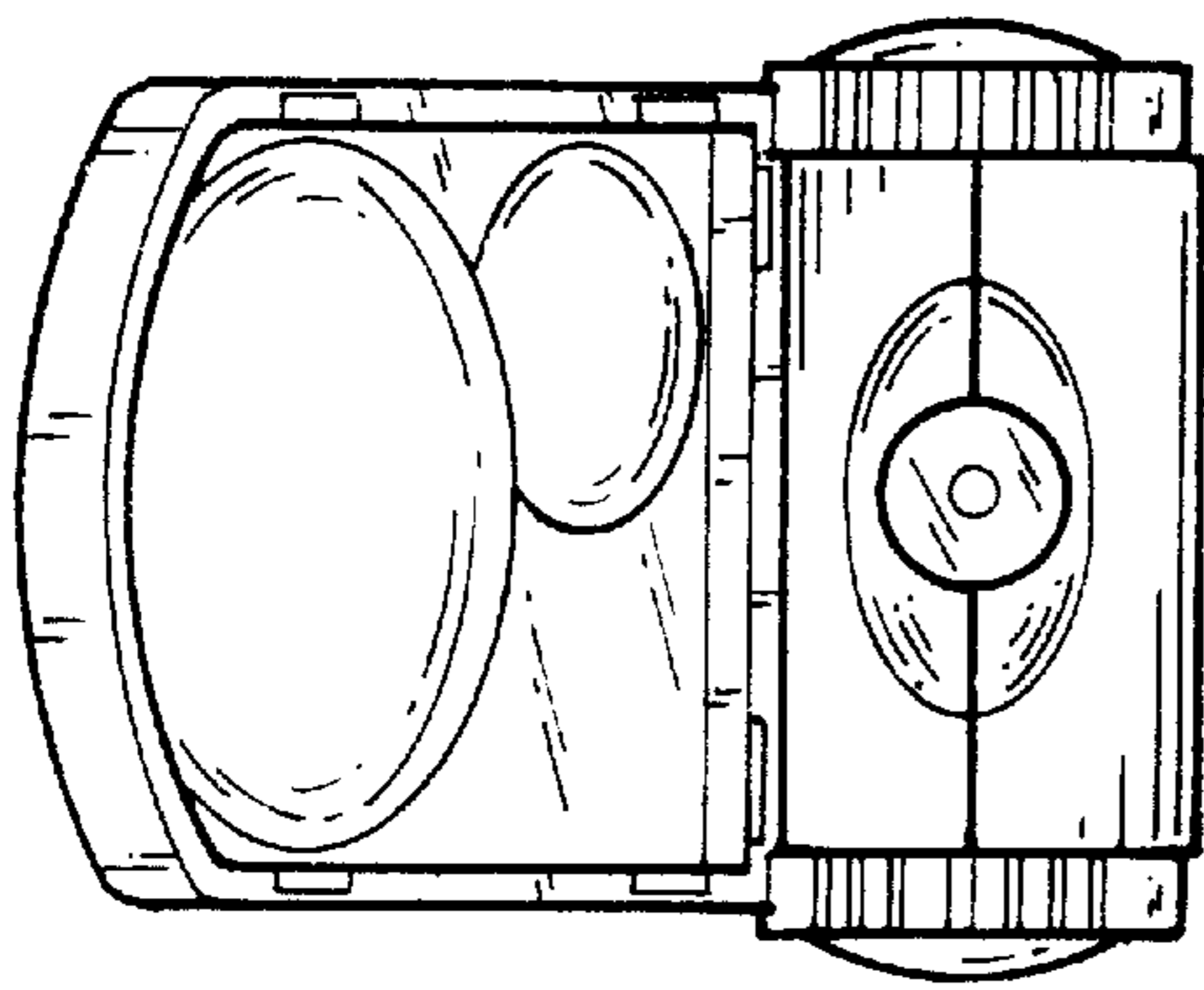


FIG. 2

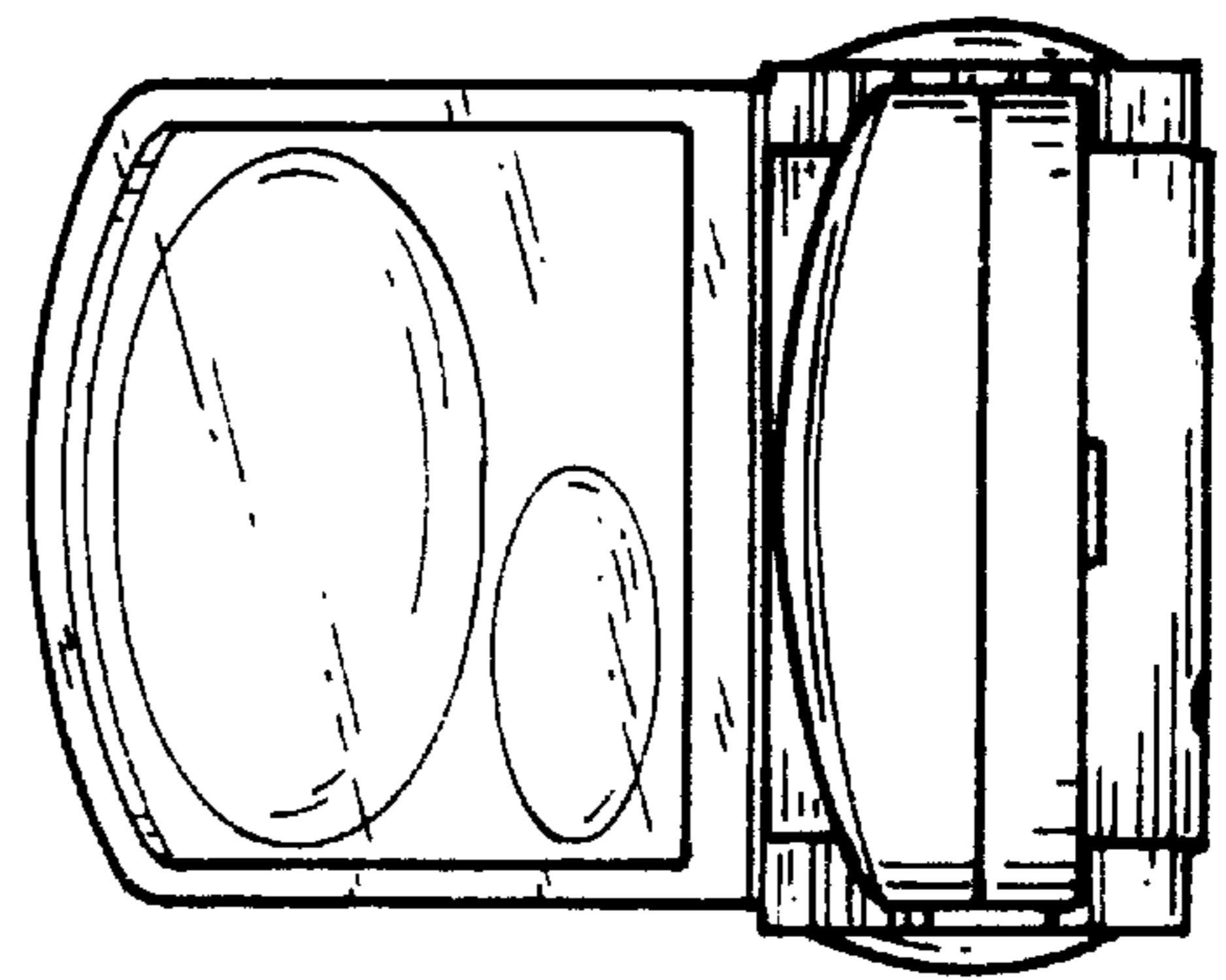


FIG. 3

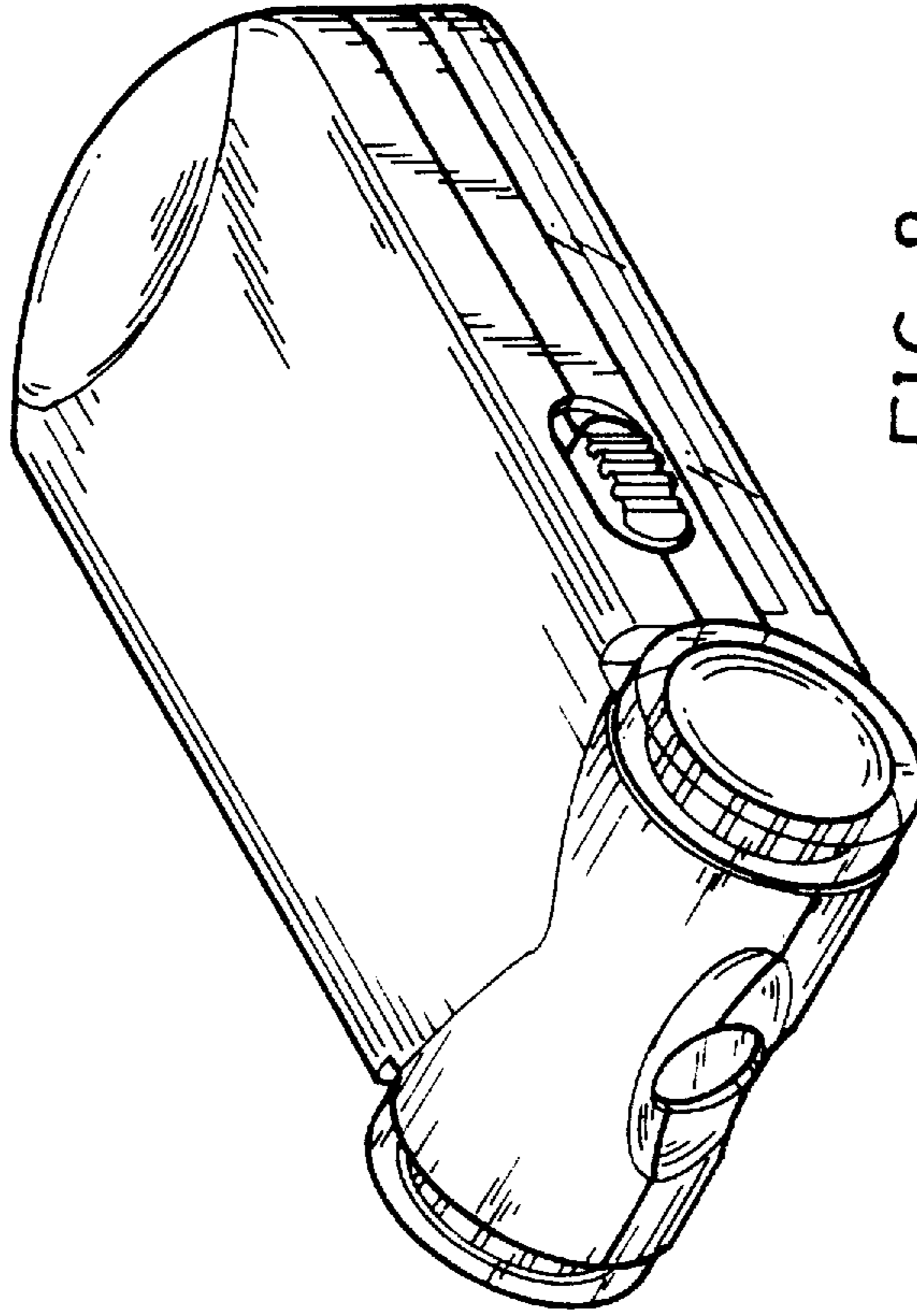


FIG. 8

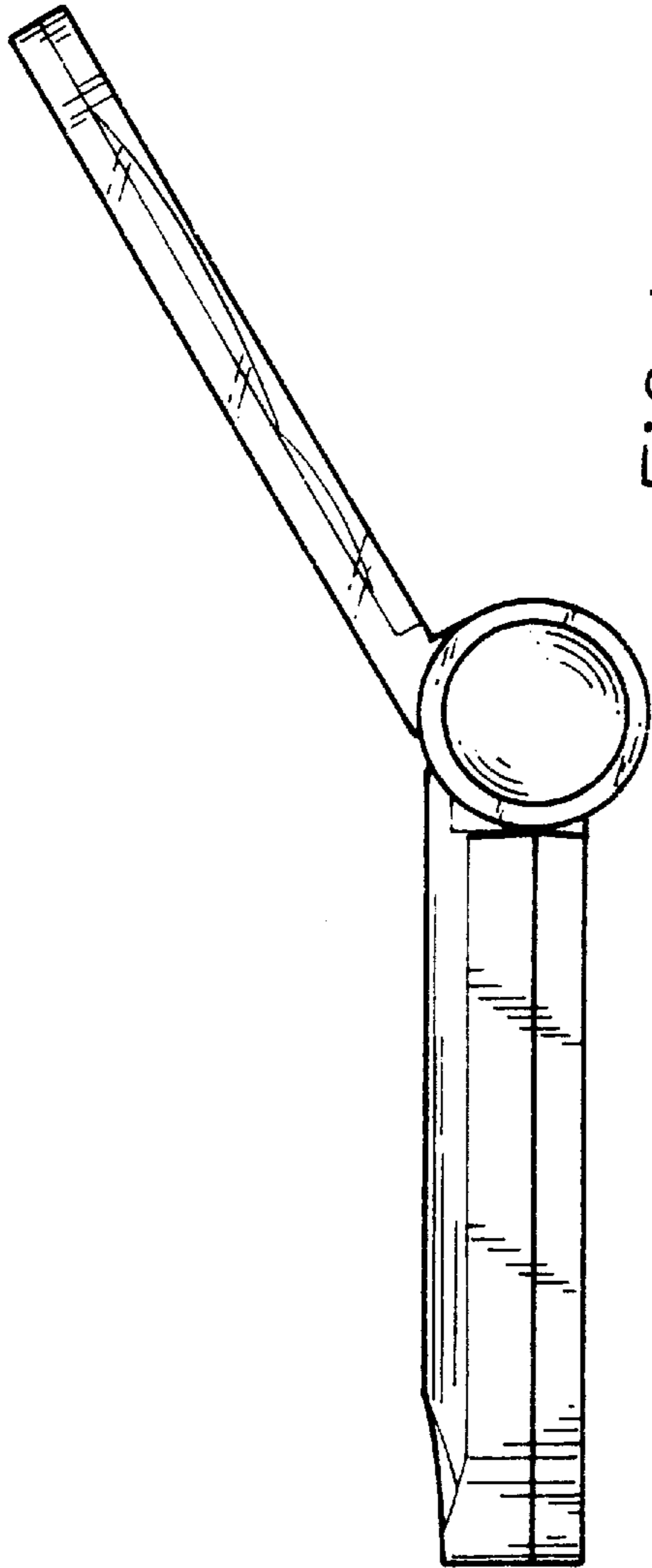


FIG. 4

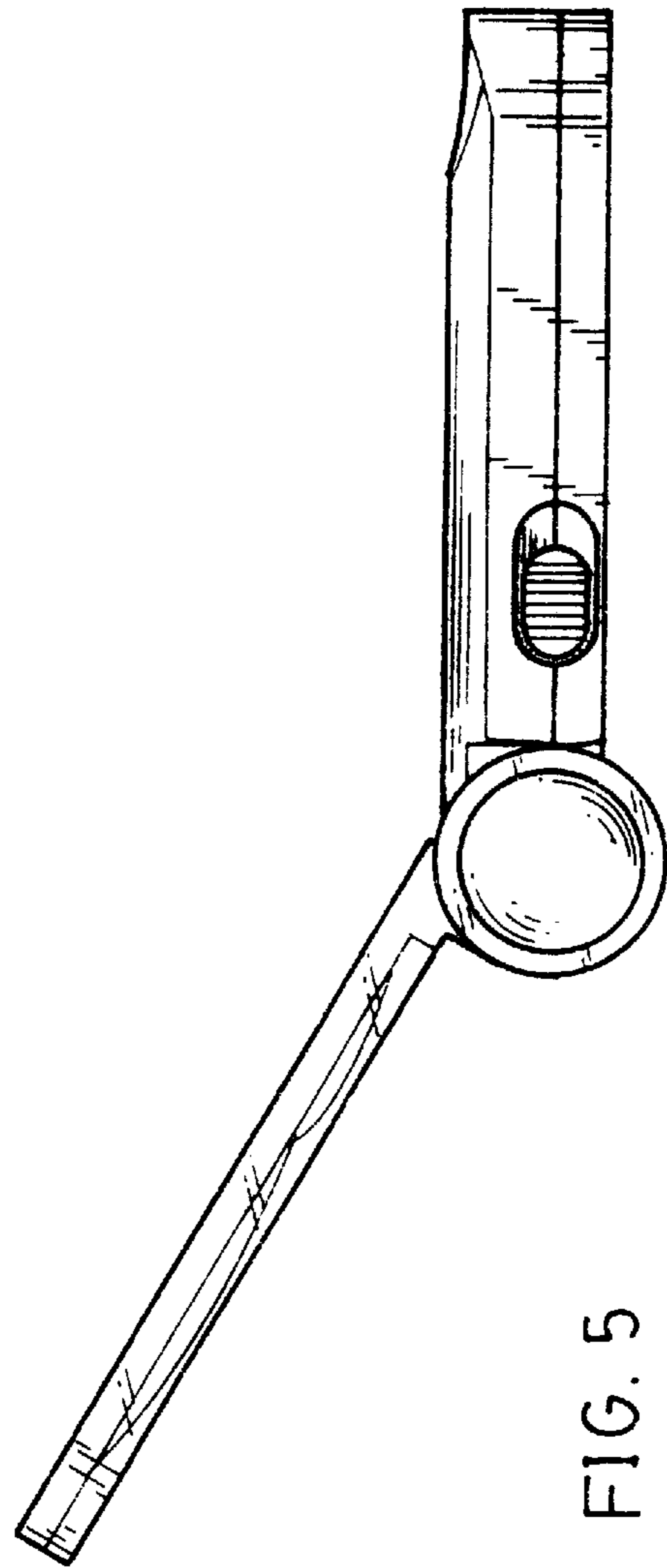


FIG. 5

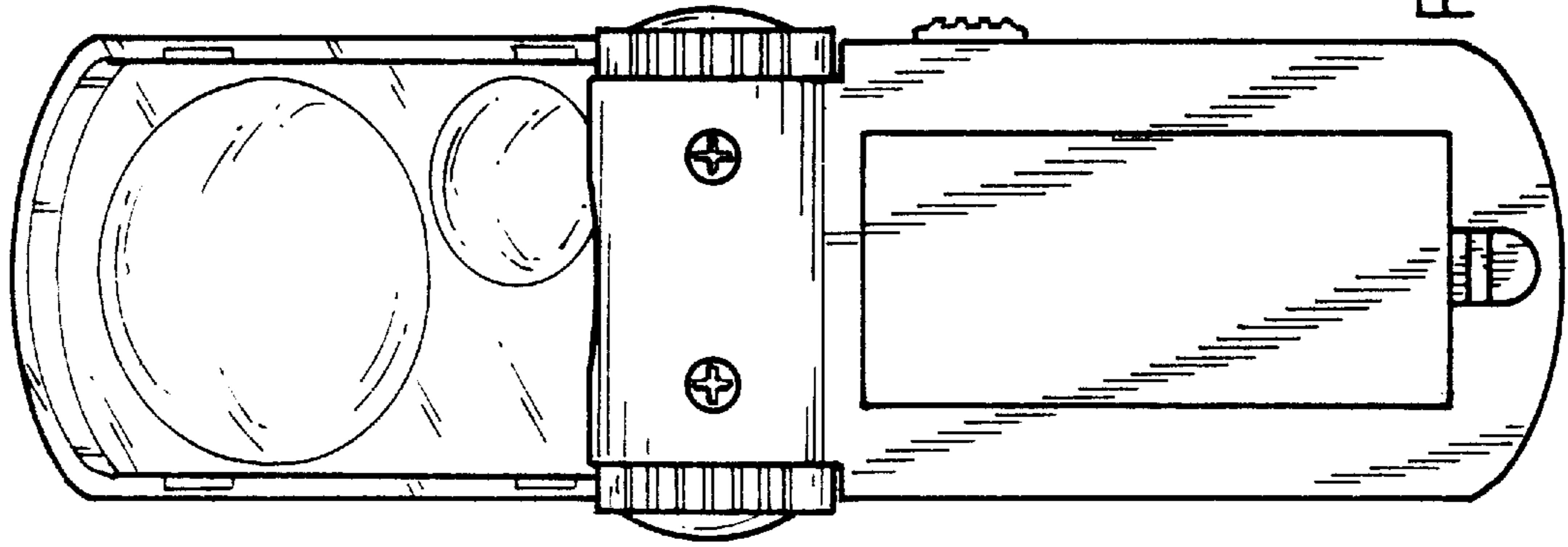


FIG. 7

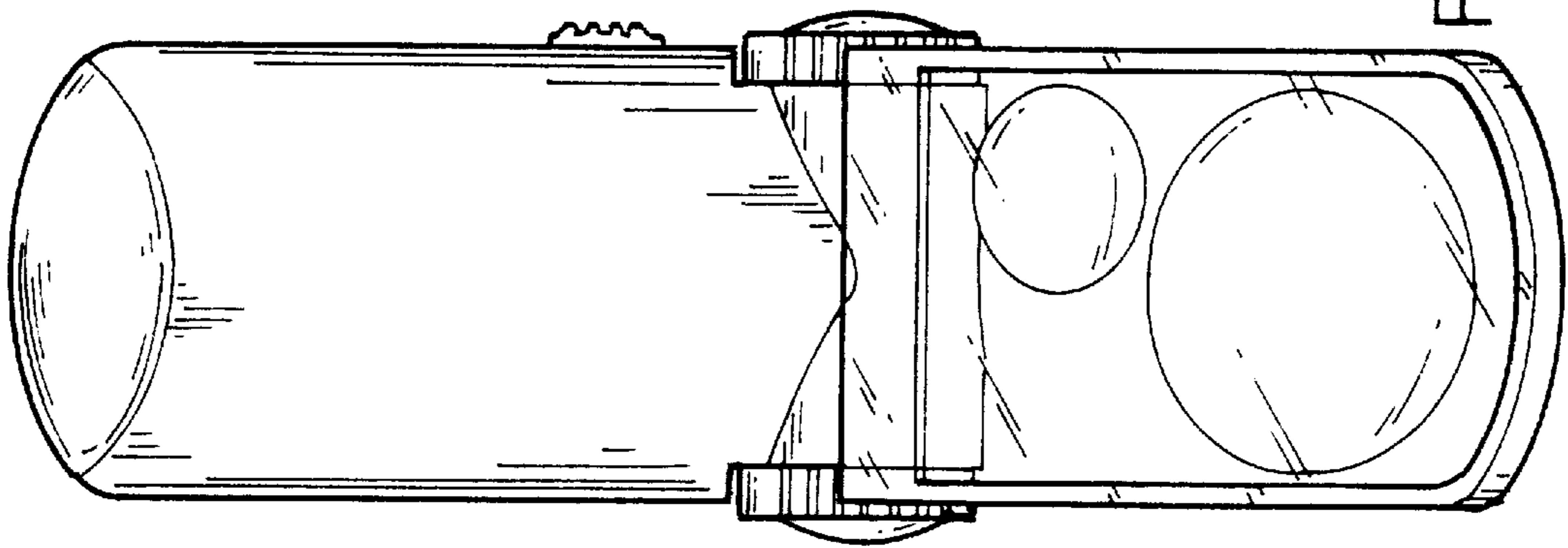


FIG. 6