



US00D401370S

United States Patent [19]

Fiorato

[11] Patent Number: **Des. 401,370**

[45] Date of Patent: ****Nov. 17, 1998**

[54] LUMINAIRE

[76] Inventor: **Roberto Fiorato**, Viale Del Lavoro, 9/11, 37030 Colognola Ai Colli, Italy, 37030

[**] Term: **14 Years**

[21] Appl. No.: **73,367**

[22] Filed: **Jul. 7, 1997**

[51] LOC (6) Cl. **26-05**

[52] U.S. Cl. **D26/67; D26/24; D26/74**

[58] Field of Search D26/67, 68, 74, D26/72, 85; 362/147, 153, 153.1, 431, 806, 35

[56] References Cited

U.S. PATENT DOCUMENTS

D. 306,767 3/1990 Ziaylek, Jr. D26/24 X
1,480,037 1/1924 Wyatt 52/169.1 X

OTHER PUBLICATIONS

Design with Lighting catalog, p. 36, in-ground lighting fixture, top, left, Dec. 1993.
Hinkley Landscape Lighting catalog, p. 9, recessed light fixture, top, left, 1992.

Hinkley Landscape Lighting catalog, p. 6, recessed deck light #1549, 1992.

Primary Examiner—Susan J. Lucas

[57] CLAIM

The ornamental design for a luminaire, as shown.

DESCRIPTION

FIG. 1 is a front elevation view of the recessed luminaire showing my new design;

FIG. 2 is a top plan view thereof;

FIG. 3 is a bottom plan view;

FIG. 4 is a side elevation view thereof;

FIG. 5 is a back elevation view thereof;

FIG. 6 is a top perspective view thereof; and,

FIG. 7 is a bottom perspective view thereof.

1 Claim, 7 Drawing Sheets

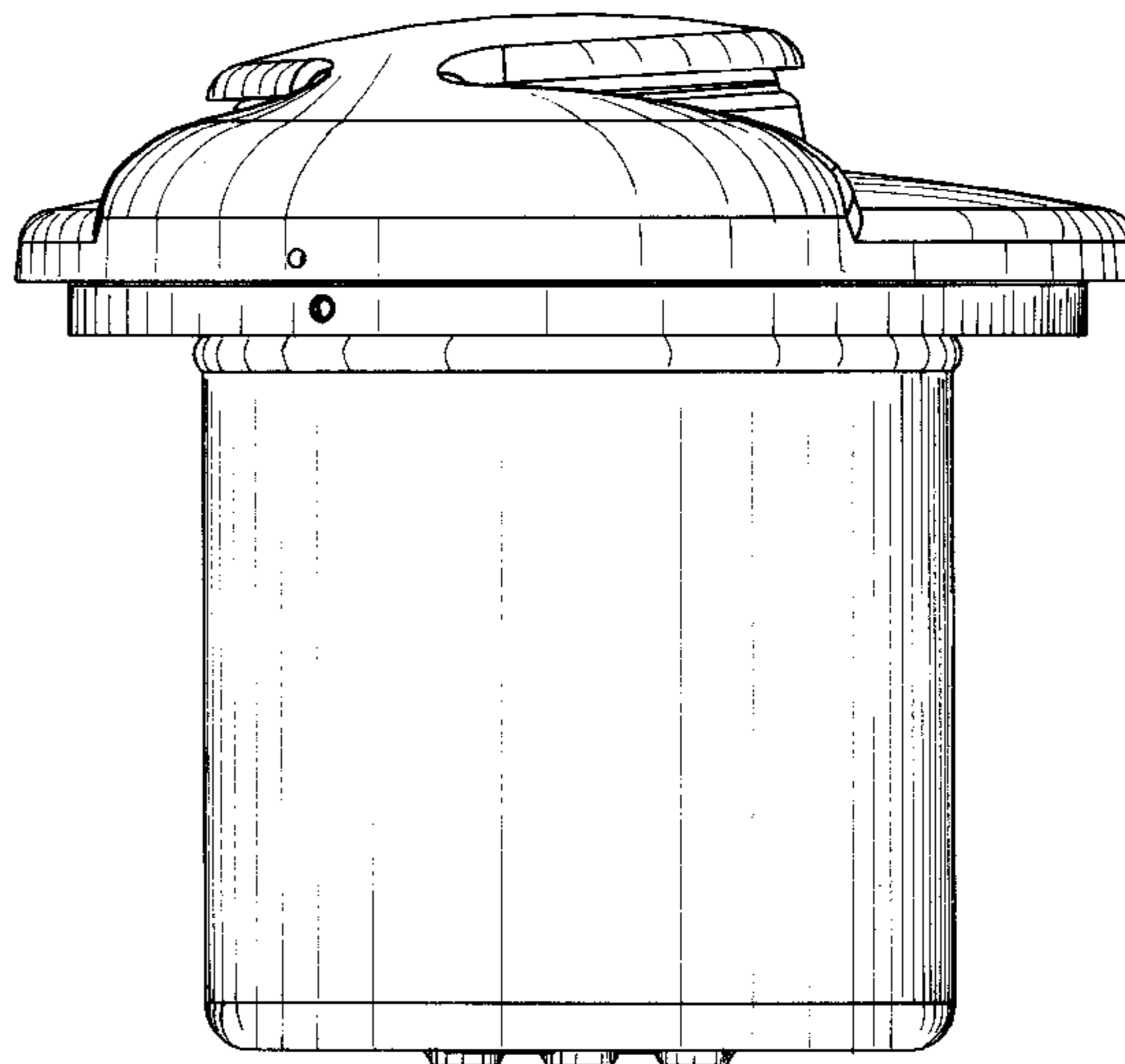
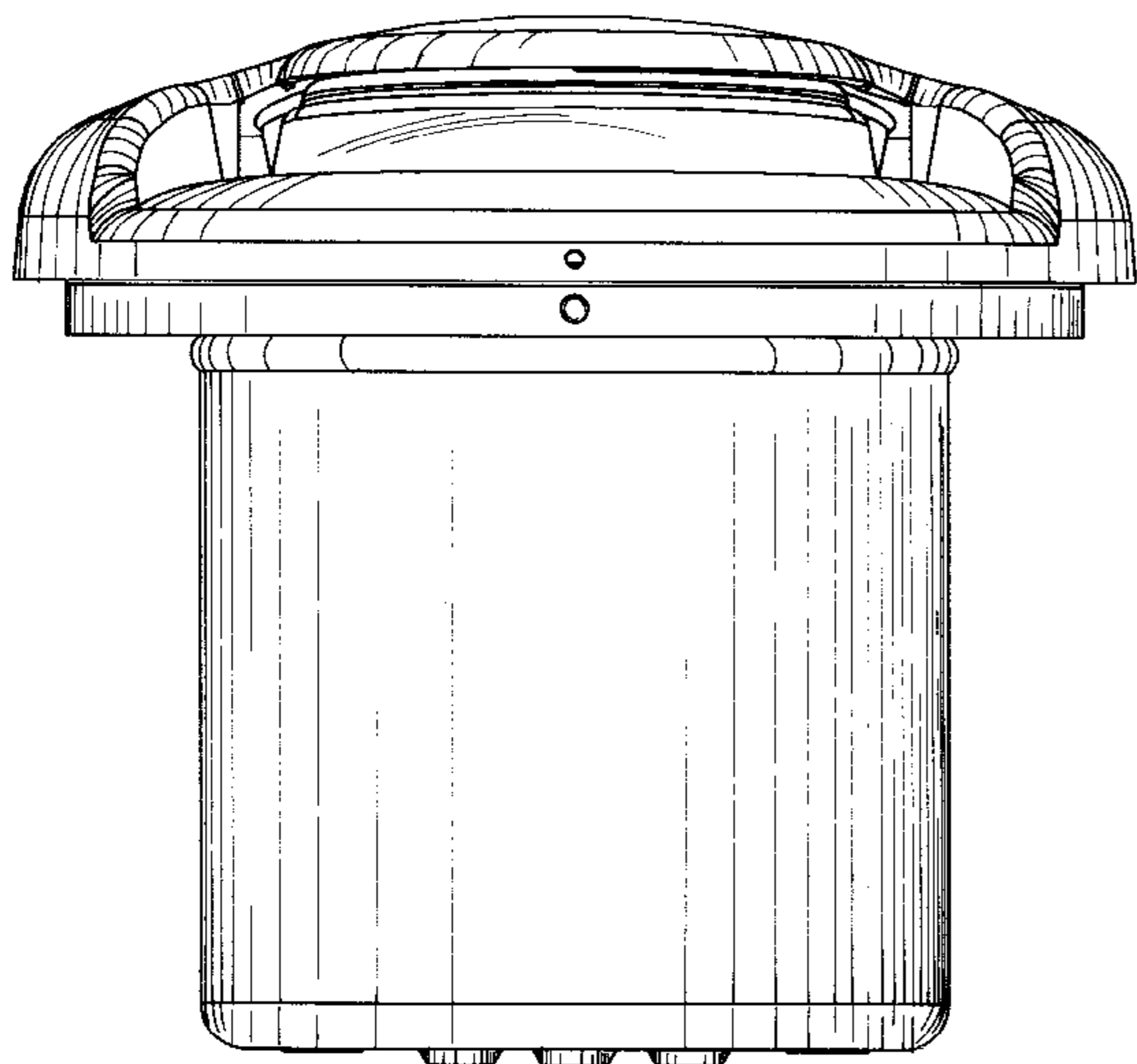


FIG.1

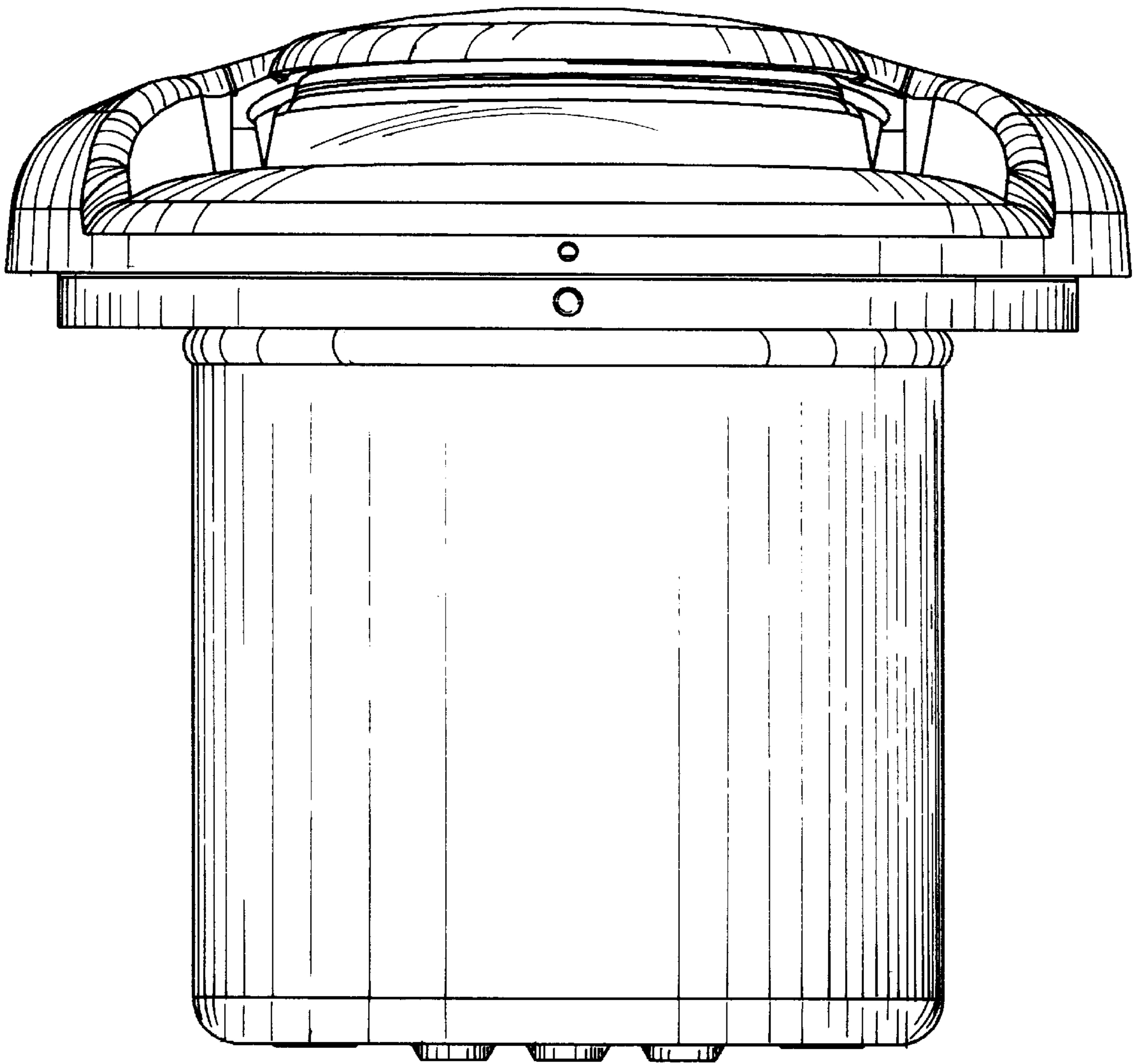


FIG.2

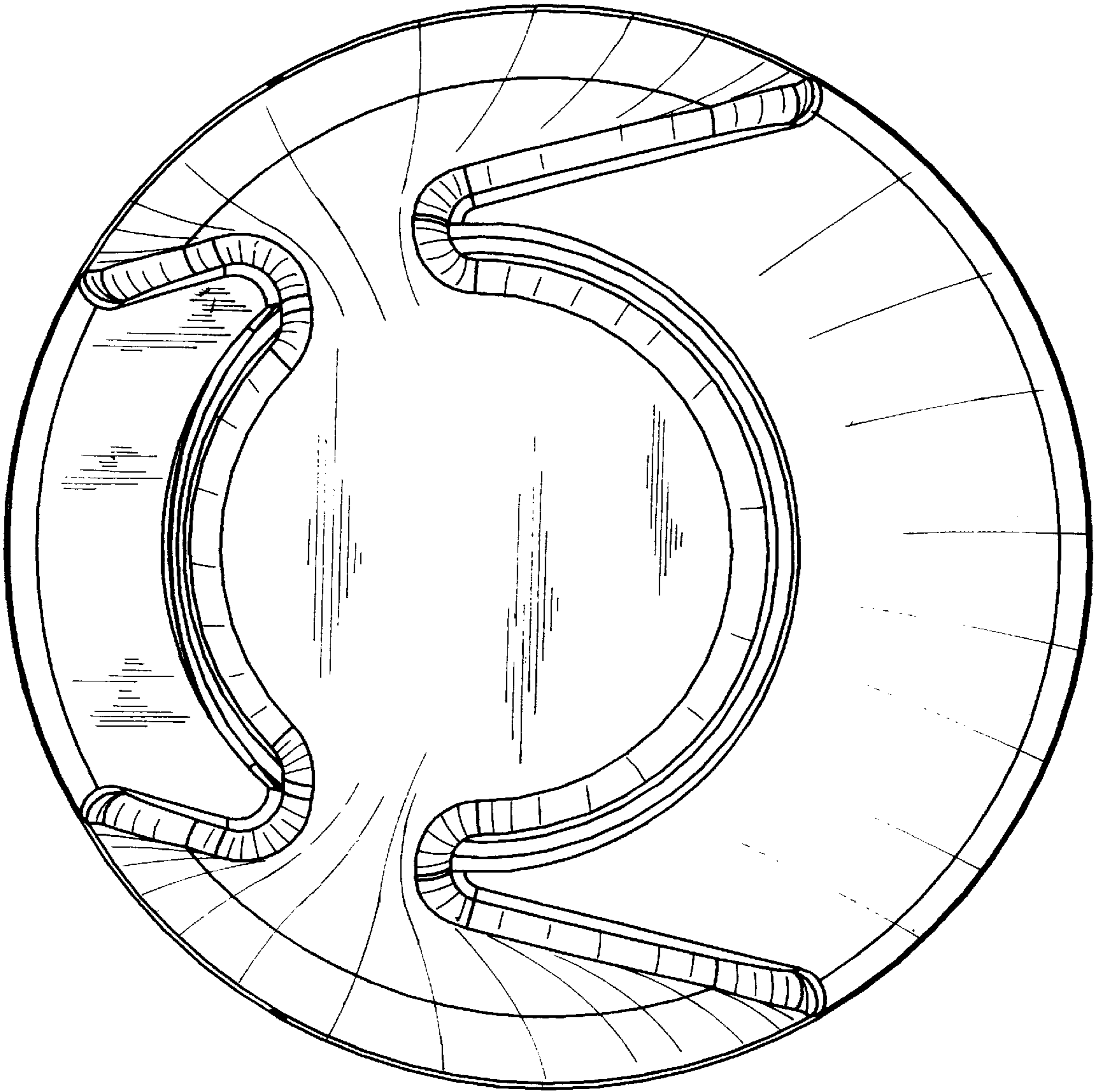


FIG.3

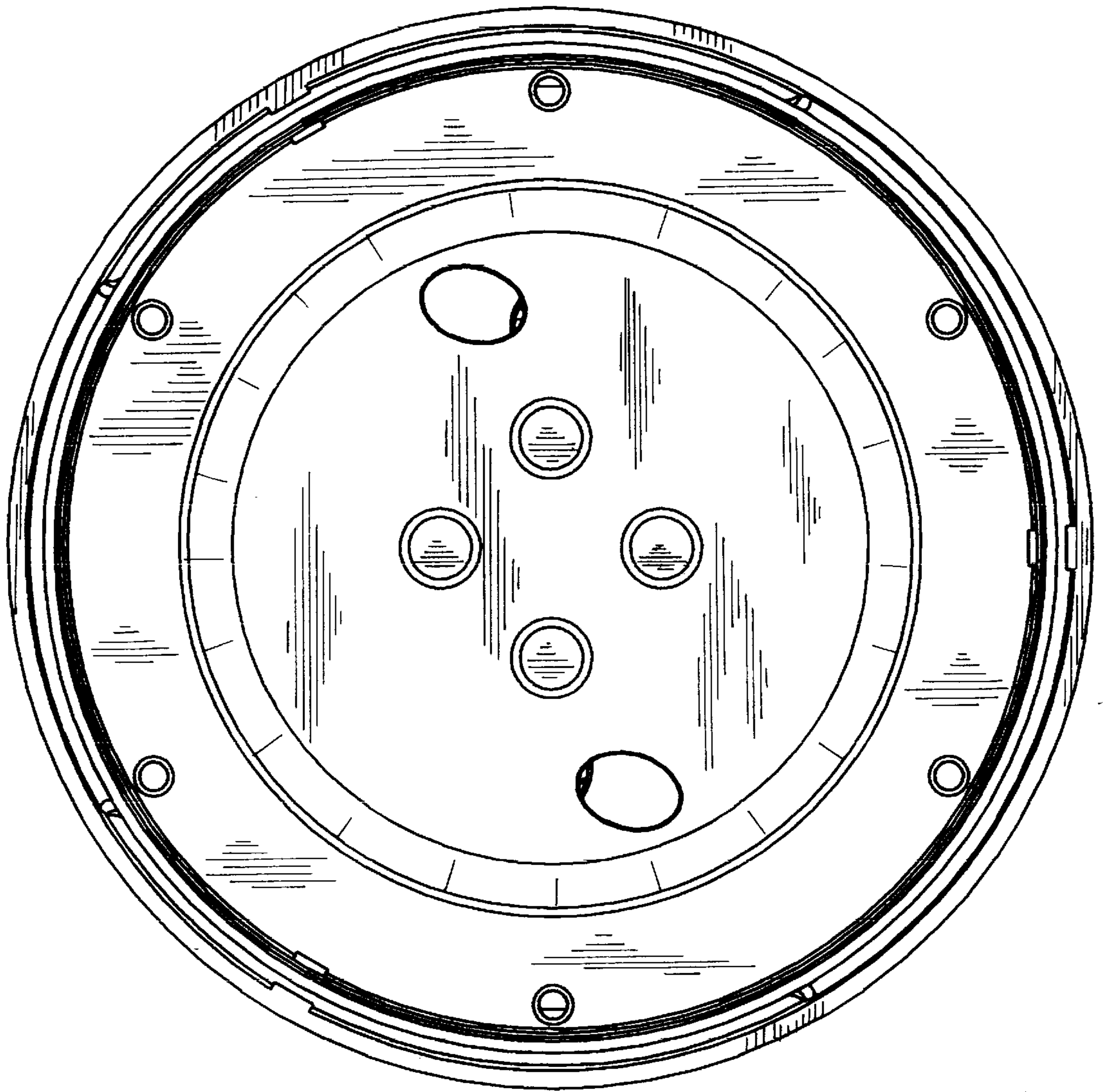


FIG.4

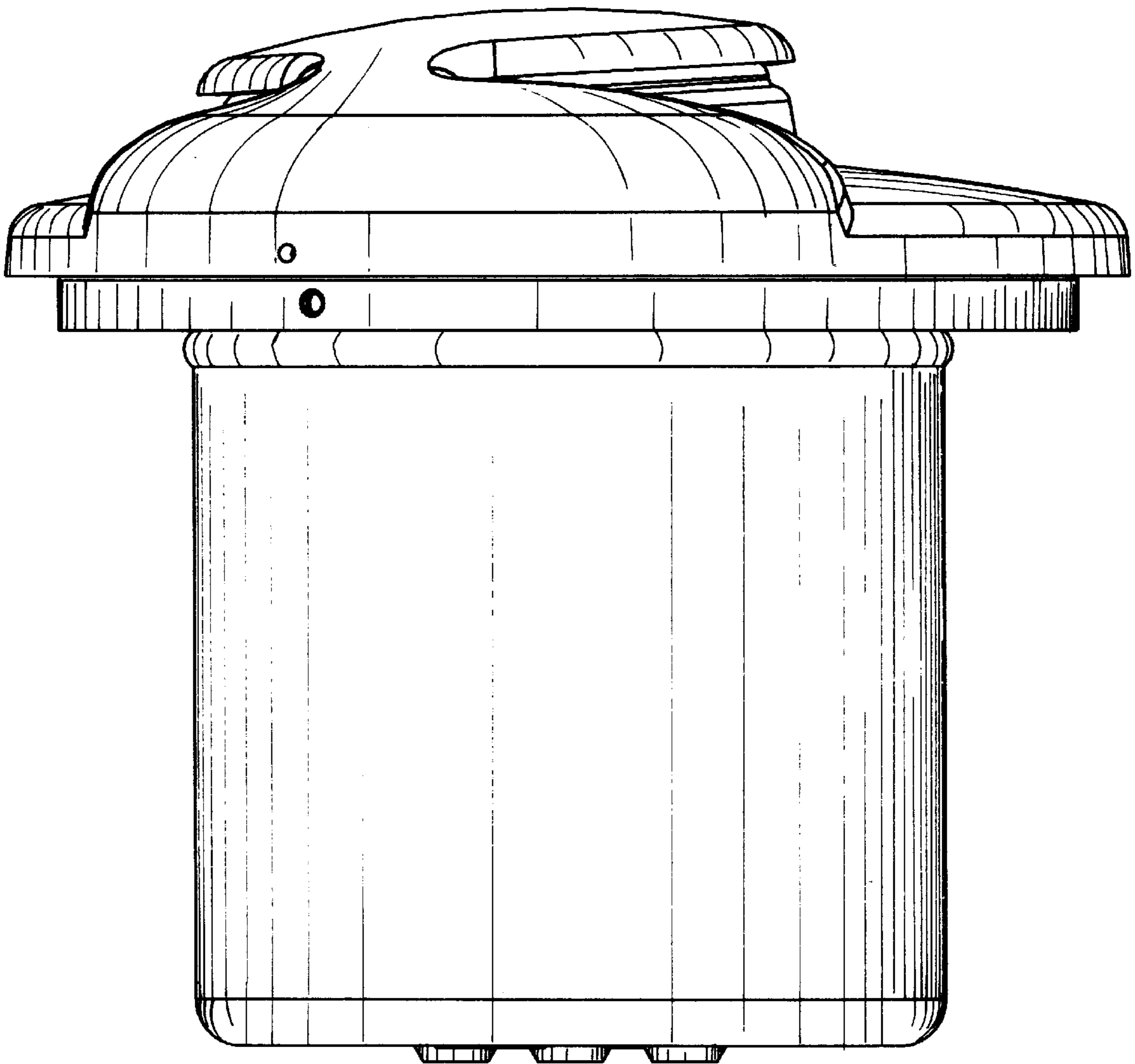


FIG.5

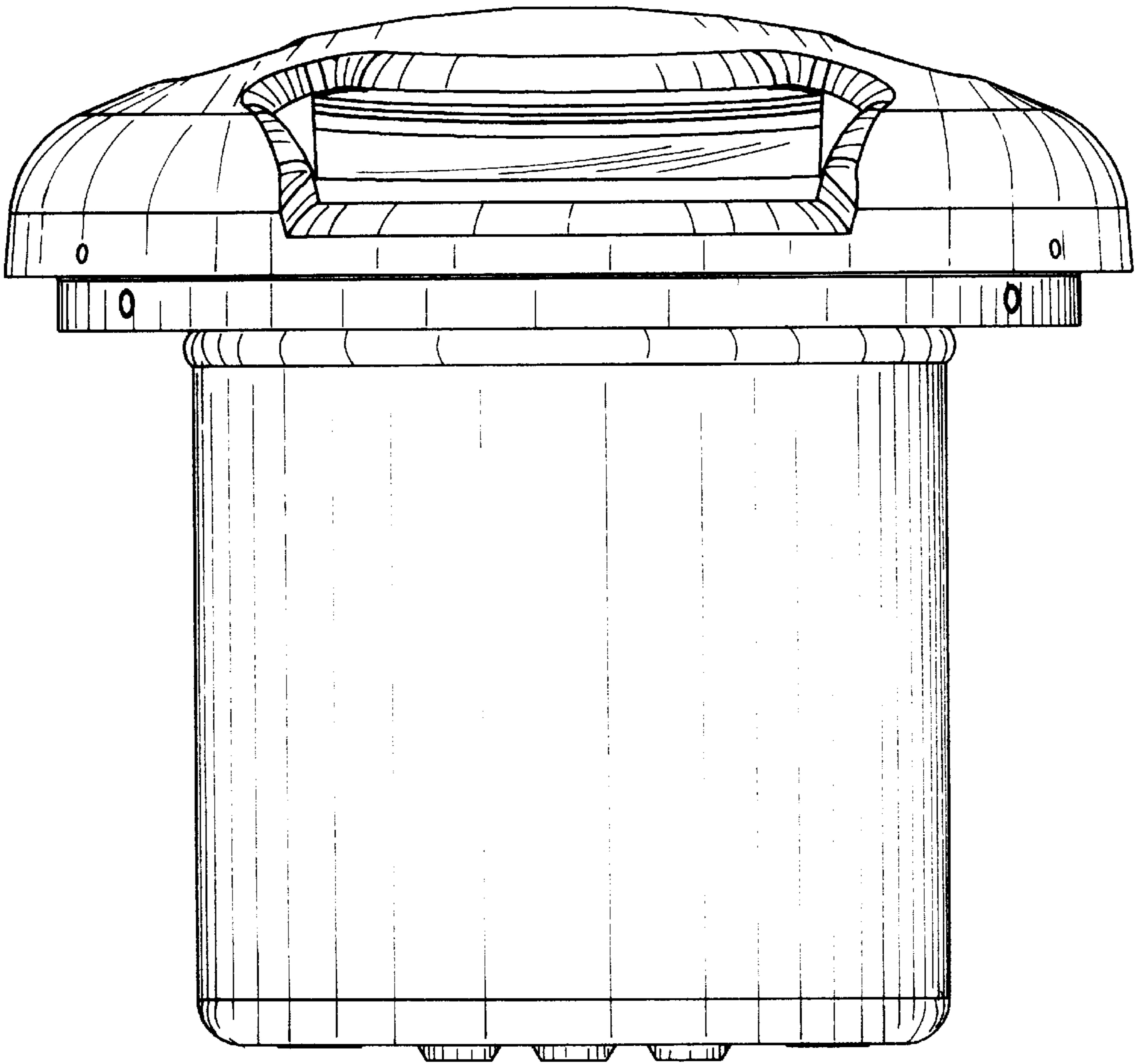


FIG.6

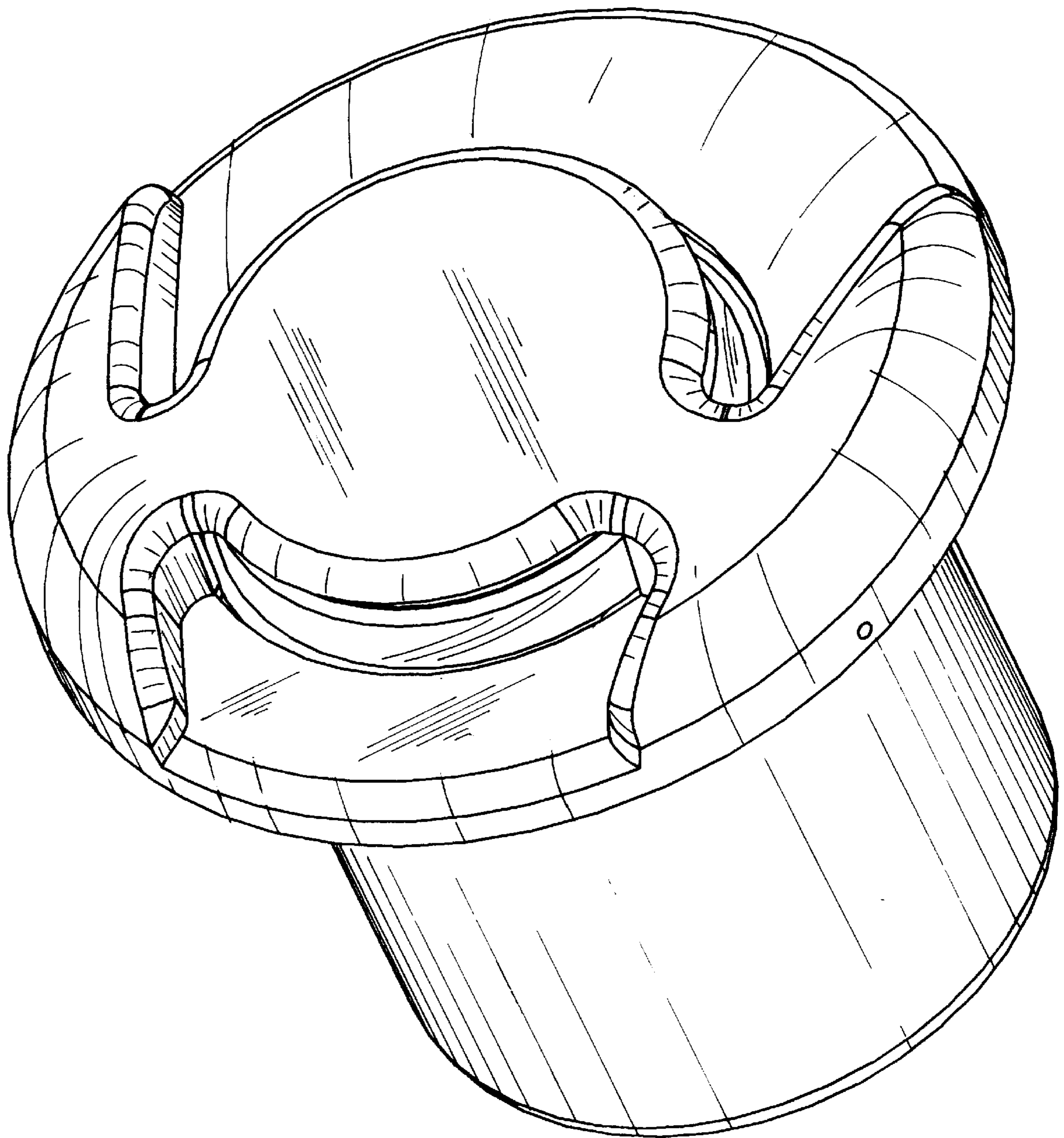


FIG.7

