



US00D401369S

United States Patent [19]
McClintock et al.

[11] **Patent Number: Des. 401,369**
[45] **Date of Patent: **Nov. 17, 1998**

[54] **HAND-HELD LUMINOMETER**

D. 297,571 9/1988 Mann D26/37
D. 385,265 10/1997 Knowles et al. D26/37
2,824,953 2/1958 Rock D26/37

[75] Inventors: **Joseph A. McClintock**, Baltimore;
David Bernstein, Eldersburg, both of
Md.; **William Trainor**, Hillsboro
Beach, Fla.

Primary Examiner—Marcus A. Jackson
Attorney, Agent, or Firm—Foley & Lardner

[73] Assignee: **Universal Healthwatch, Inc.**,
Columbia, Md.

[57] **CLAIM**

[**] Term: **14 Years**

The ornamental design for a hand-held luminometer, as shown and described.

[21] Appl. No.: **69,562**

DESCRIPTION

[22] Filed: **Apr. 28, 1997**

FIG. 1 is a perspective view of a hand-held luminometer, showing our new design;

[51] **LOC (6) Cl.** **26-02**

FIG. 2 is a left side elevational view thereof;

[52] **U.S. Cl.** **D26/37**

FIG. 3 is a right side elevational view thereof;

[58] **Field of Search** D26/37-50; D14/116;
235/454, 462, 470, 472, 467, 476, 482,
483; 250/566; 359/214

FIG. 4 is a front elevational view thereof;

FIG. 5 is a rear elevational view thereof;

FIG. 6 is a top plan view thereof; and,

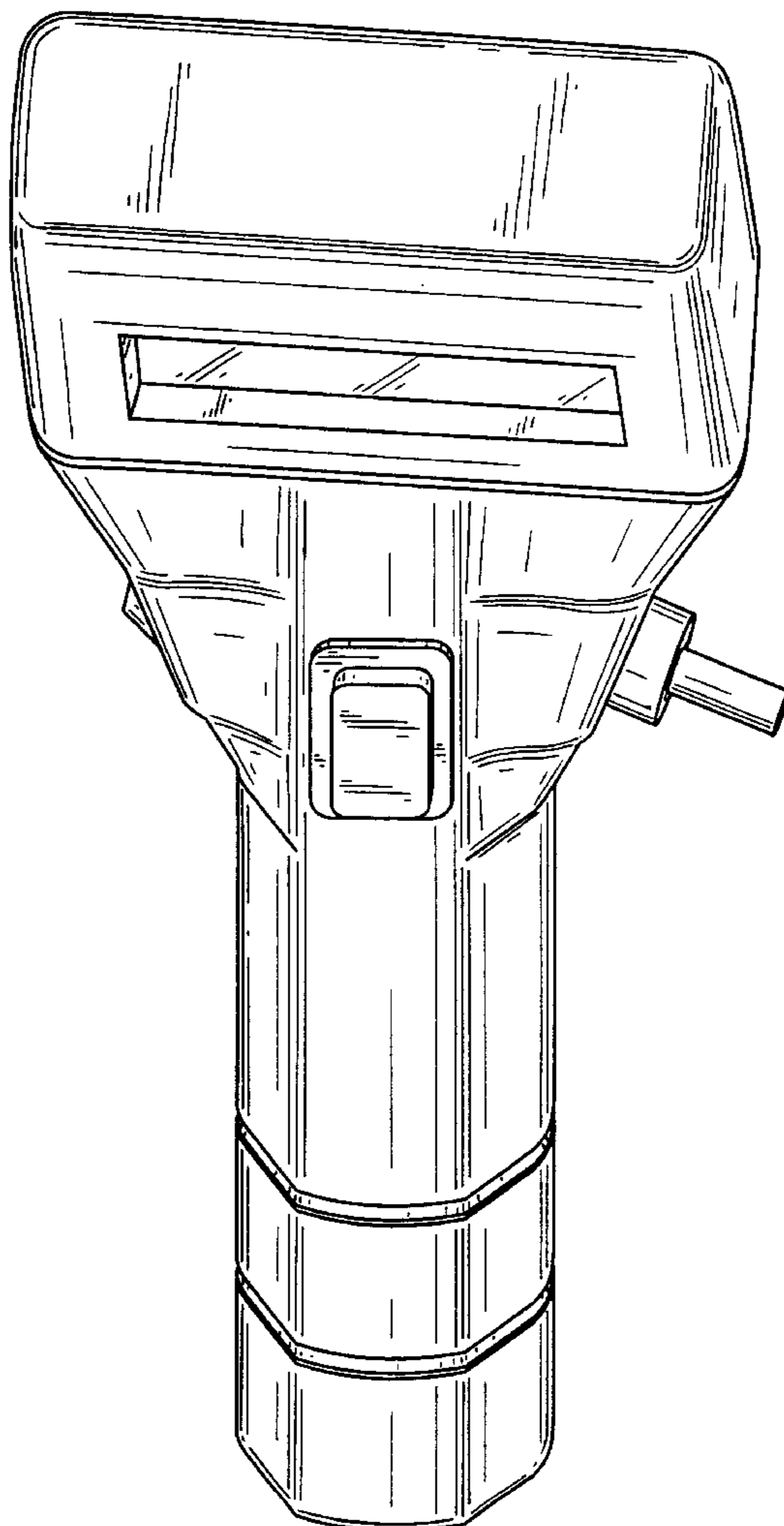
FIG. 7 is a bottom plan view thereof.

[56] **References Cited**

U.S. PATENT DOCUMENTS

D. 233,908 12/1974 Brindley D26/37

1 Claim, 5 Drawing Sheets



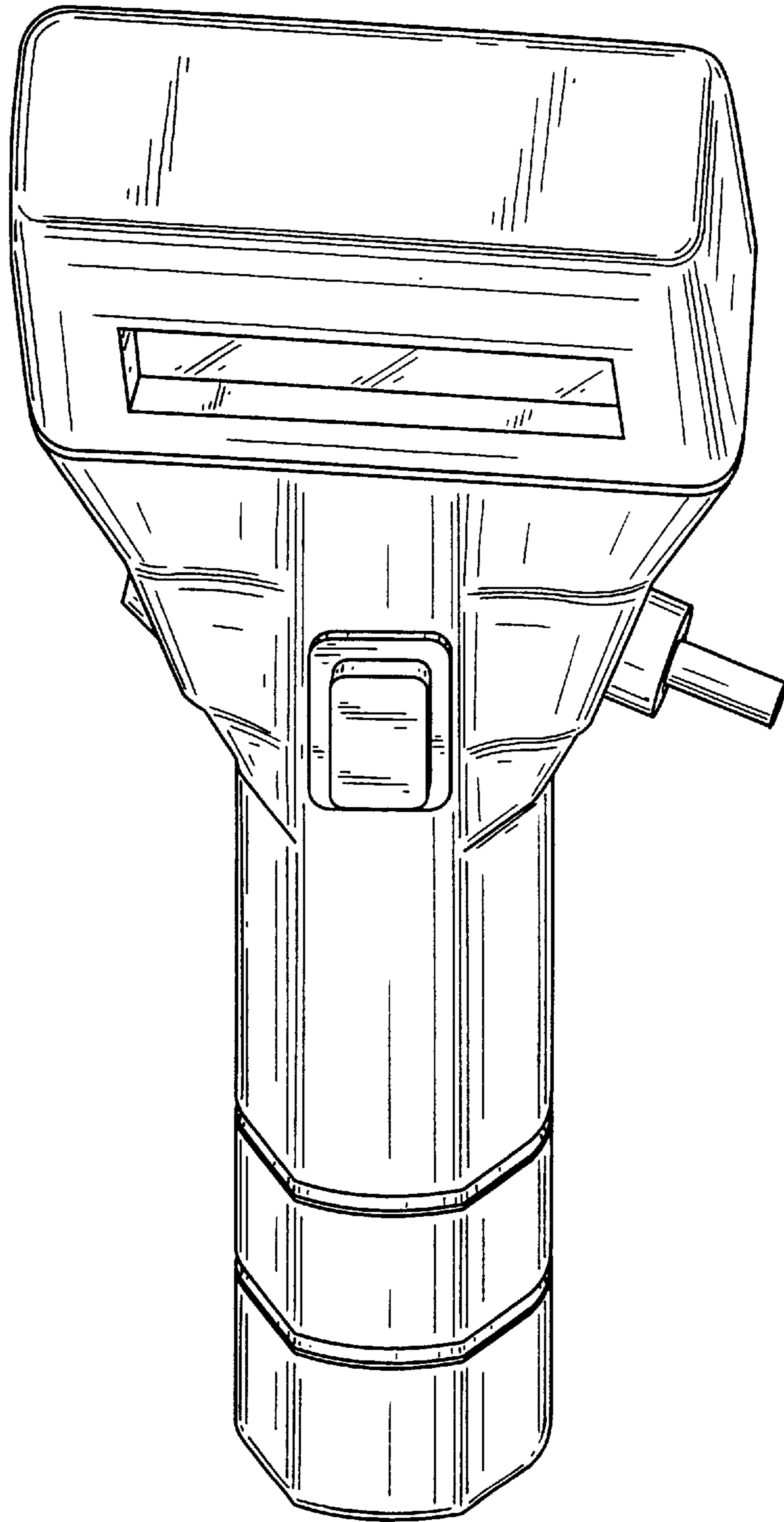


FIG. 1

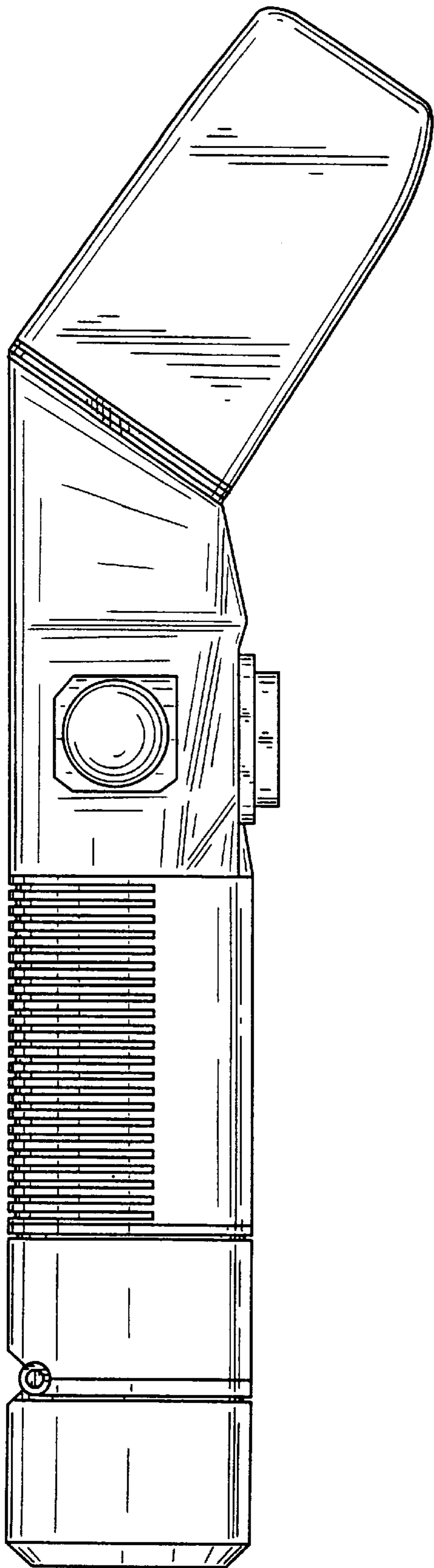


FIG. 2

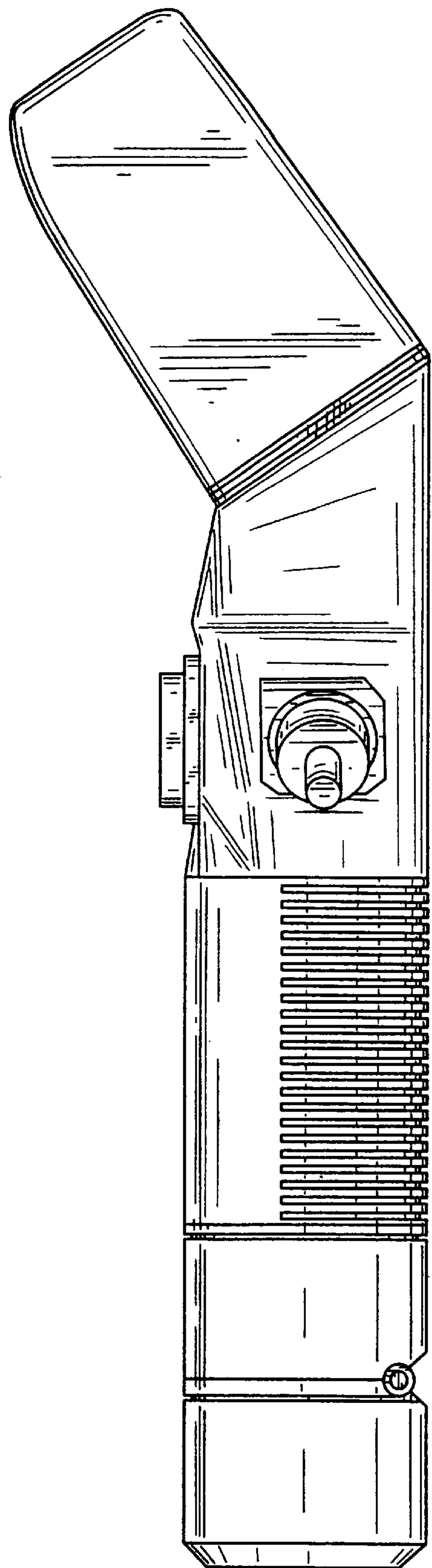


FIG. 3

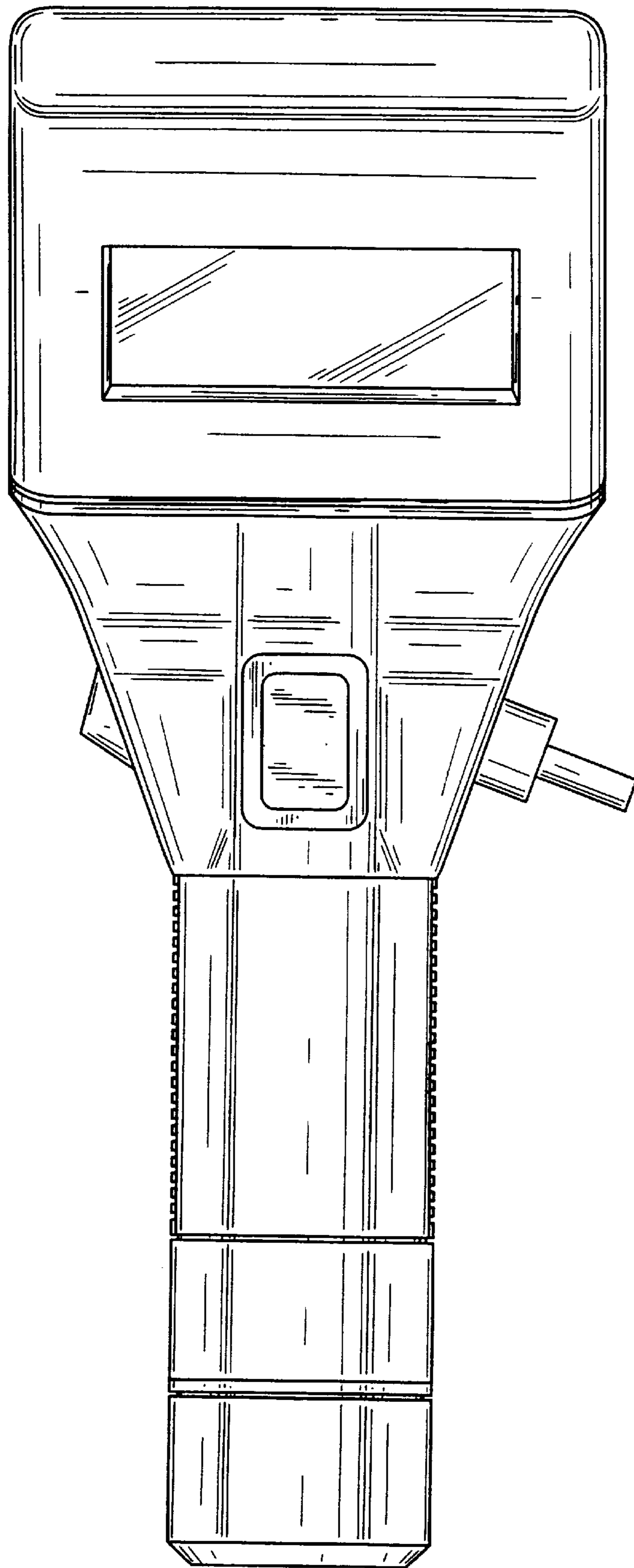


FIG. 4

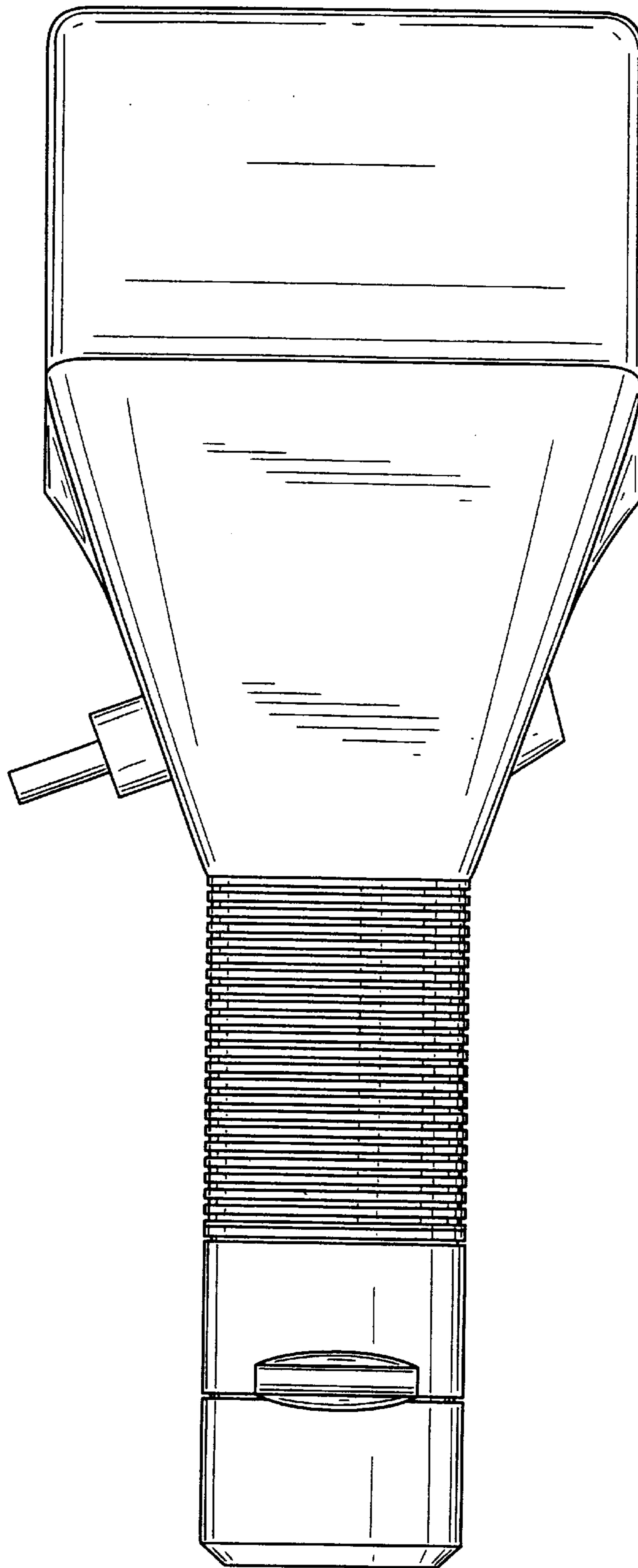


FIG. 5

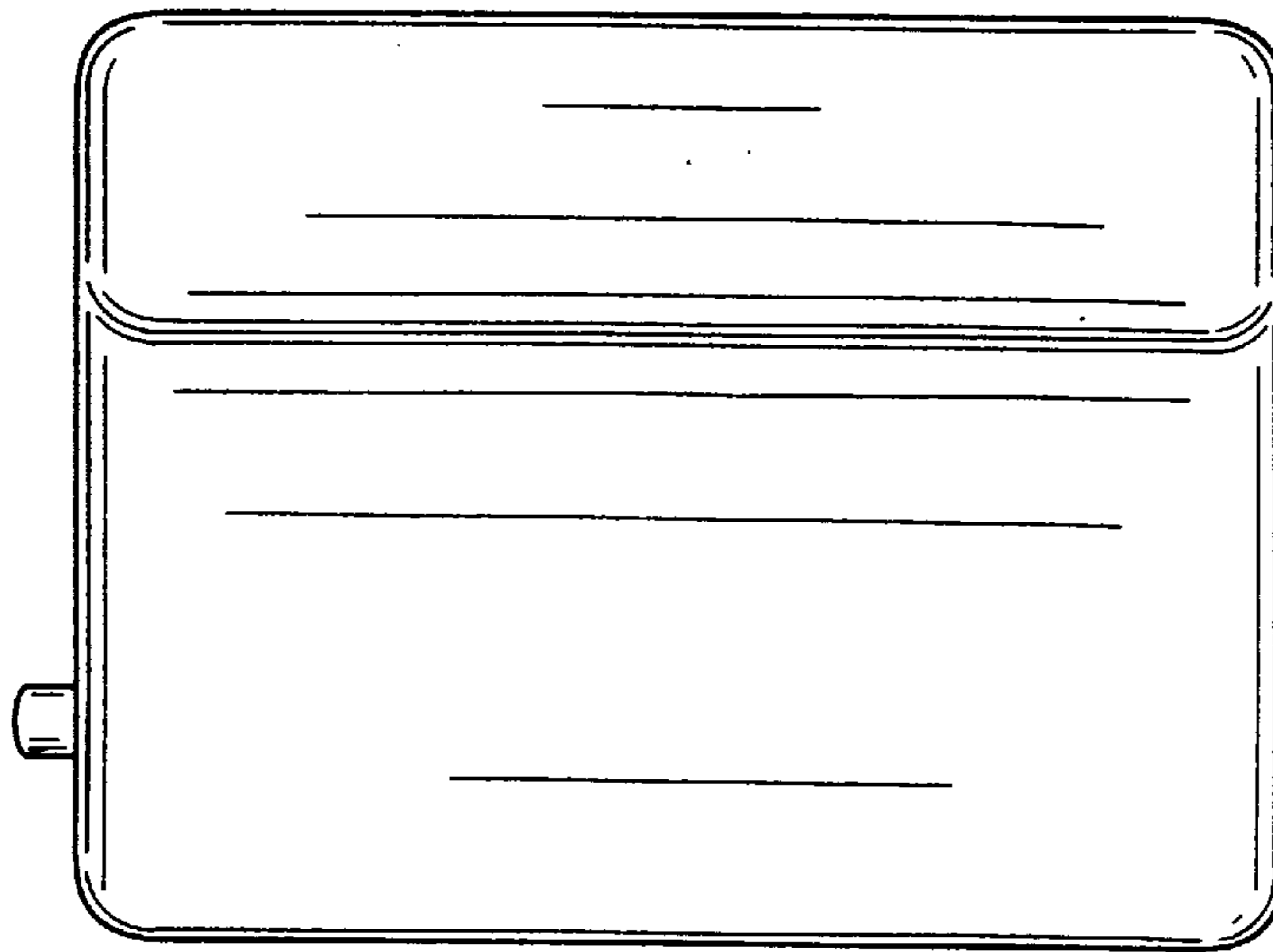


FIG. 6

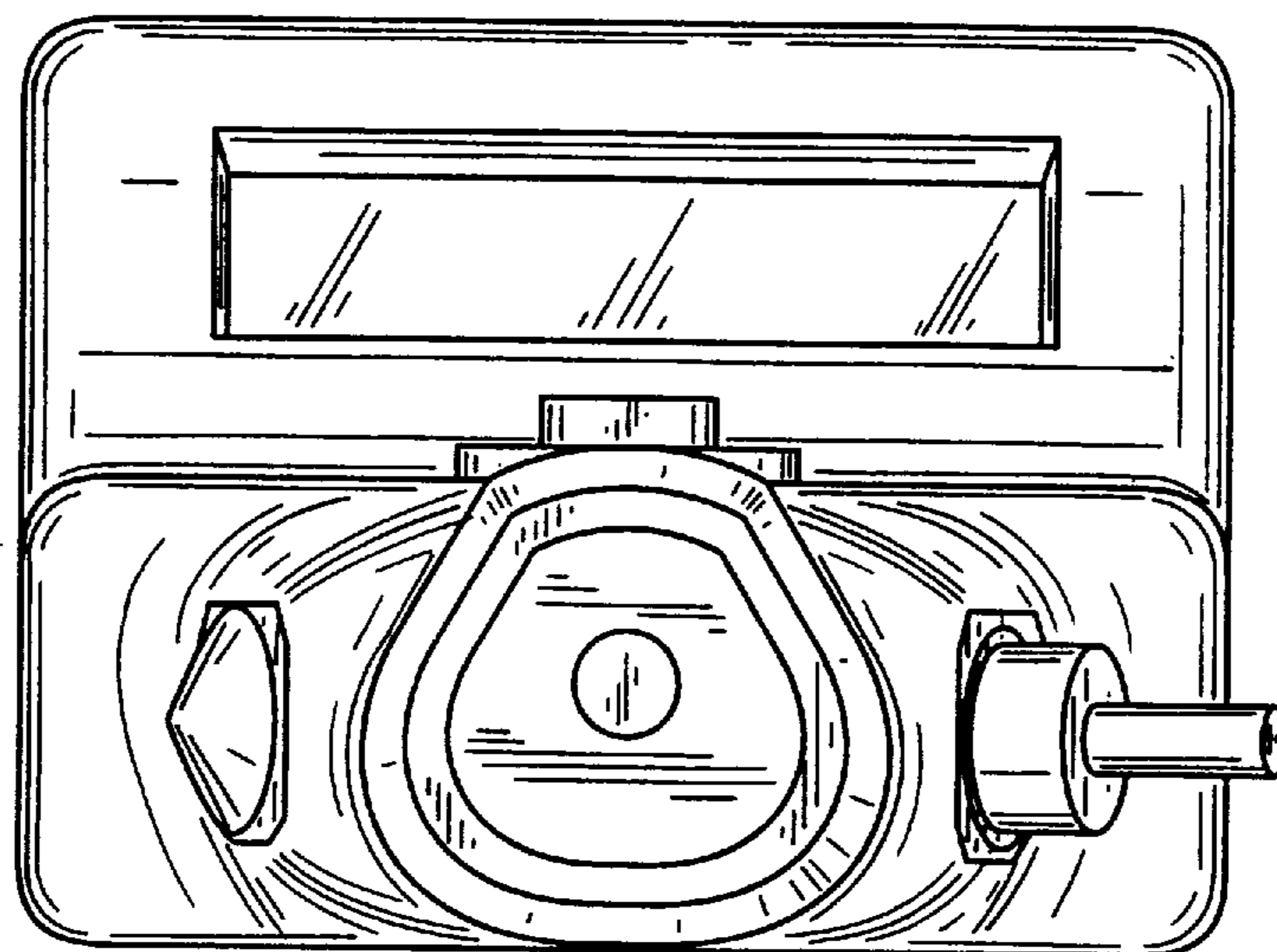


FIG. 7