



US00D401368S

United States Patent [19]

Baader et al.

[11] Patent Number: **Des. 401,368**

[45] Date of Patent: ****Nov. 17, 1998**

[54] **SCHOOL BUS EMERGENCY LAMP**

[76] Inventors: **Joseph E. Baader**, 333 Holiday Dr.,
Springfield, Ohio 45505; **John C. Whitson**, 10416 Hallmark Cir.,
Oklahoma City, Okla. 73139

[**] Term: **14 Years**

[21] Appl. No.: **75,974**

[22] Filed: **Jun. 17, 1997**

[51] **LOC (6) Cl.** **26-06**

[52] **U.S. Cl.** **D26/36; D26/28**

[58] **Field of Search** **D26/28-36; 362/61,**
362/80, 80.1, 183-208

[56] **References Cited**

U.S. PATENT DOCUMENTS

D. 60,598 3/1922 Augenstein D26/36

D. 87,692 8/1932 Stimson D26/36
D. 121,503 7/1940 Bahr D26/36
D. 235,473 6/1975 Nagel D26/36

Primary Examiner—Marcus A. Jackson
Attorney, Agent, or Firm—Birch, Stewart, Kolasch & Birch,
LLP

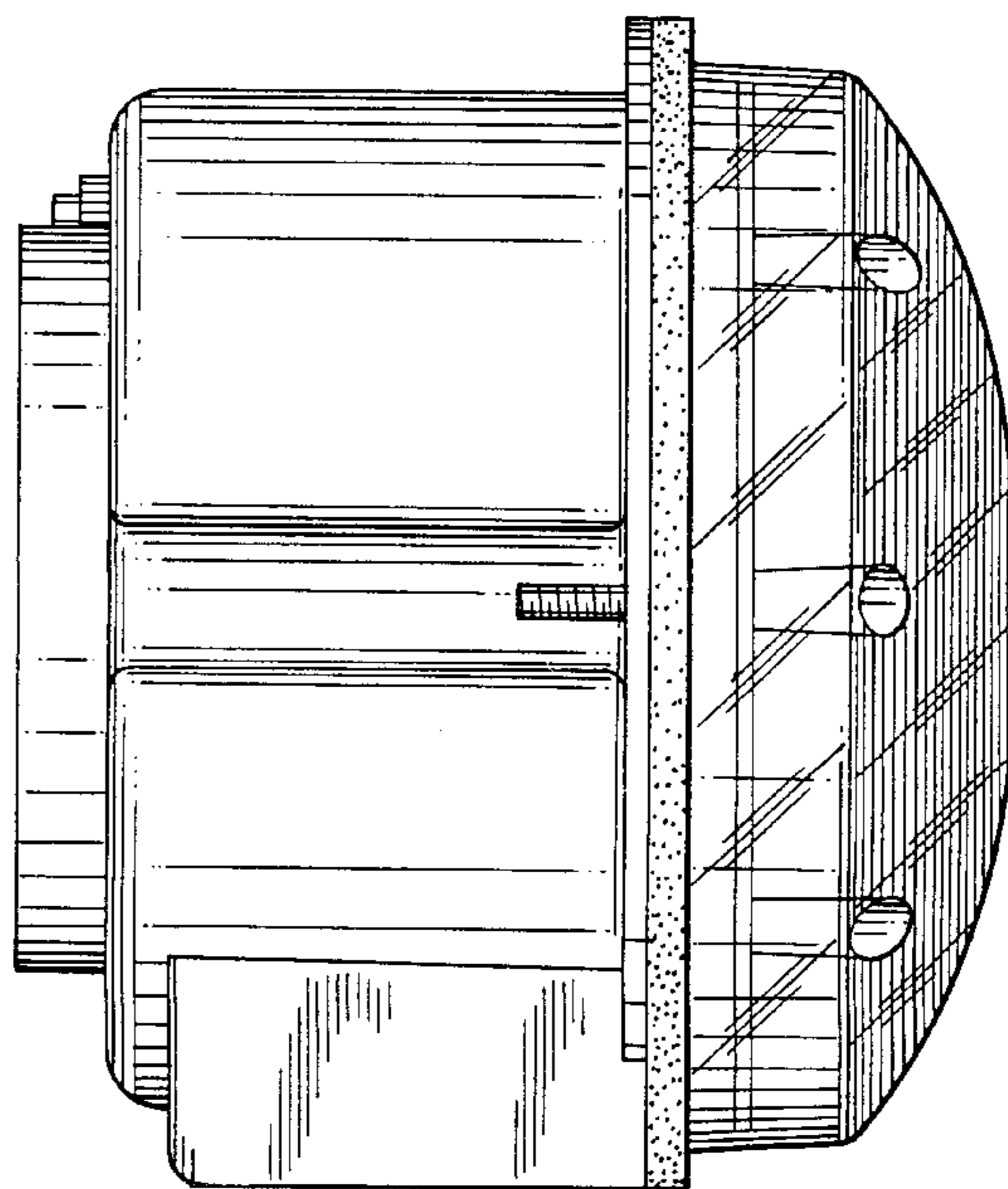
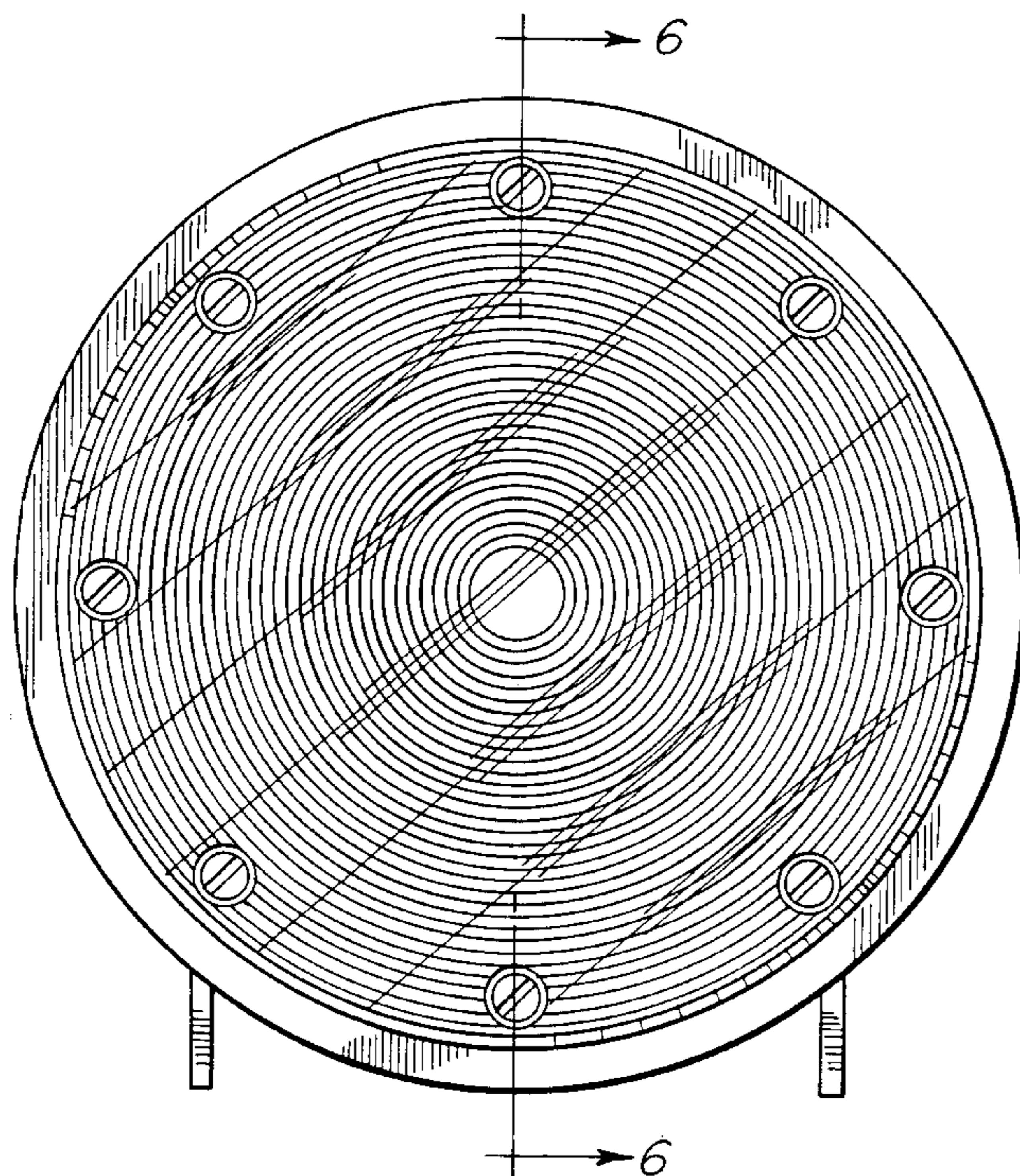
[57] **CLAIM**

The ornamental design for school bus emergency lamp, as shown and described.

DESCRIPTION

FIG. 1 is a front elevation;
FIG. 2 is a side elevation;
FIG. 3 is a rear elevation;
FIG. 4 is a top plan;
FIG. 5 is a bottom plan; and,
FIG. 6 is a sectional view taken along 6.6 of FIG. 1.

1 Claim, 3 Drawing Sheets



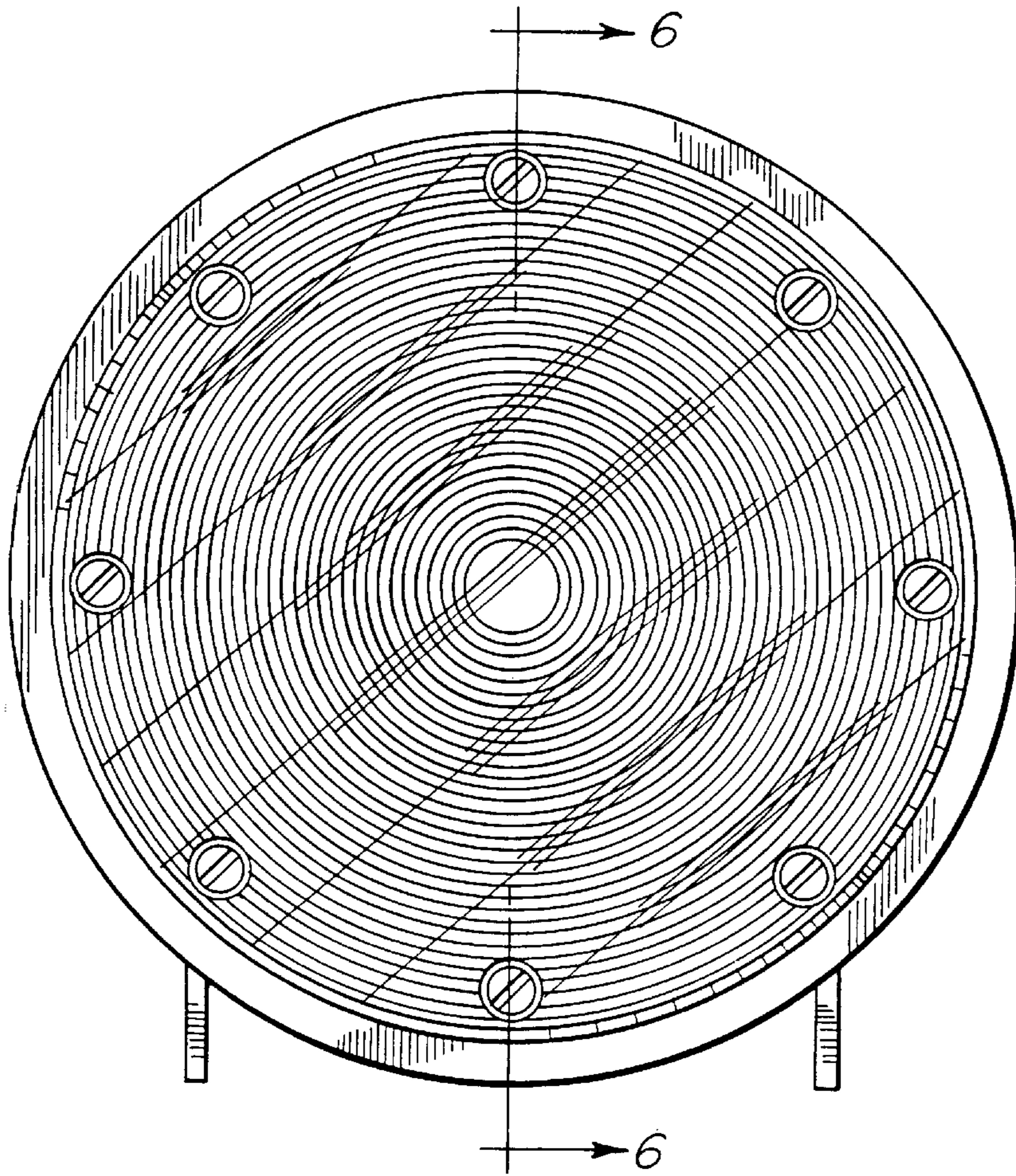


FIG. 1

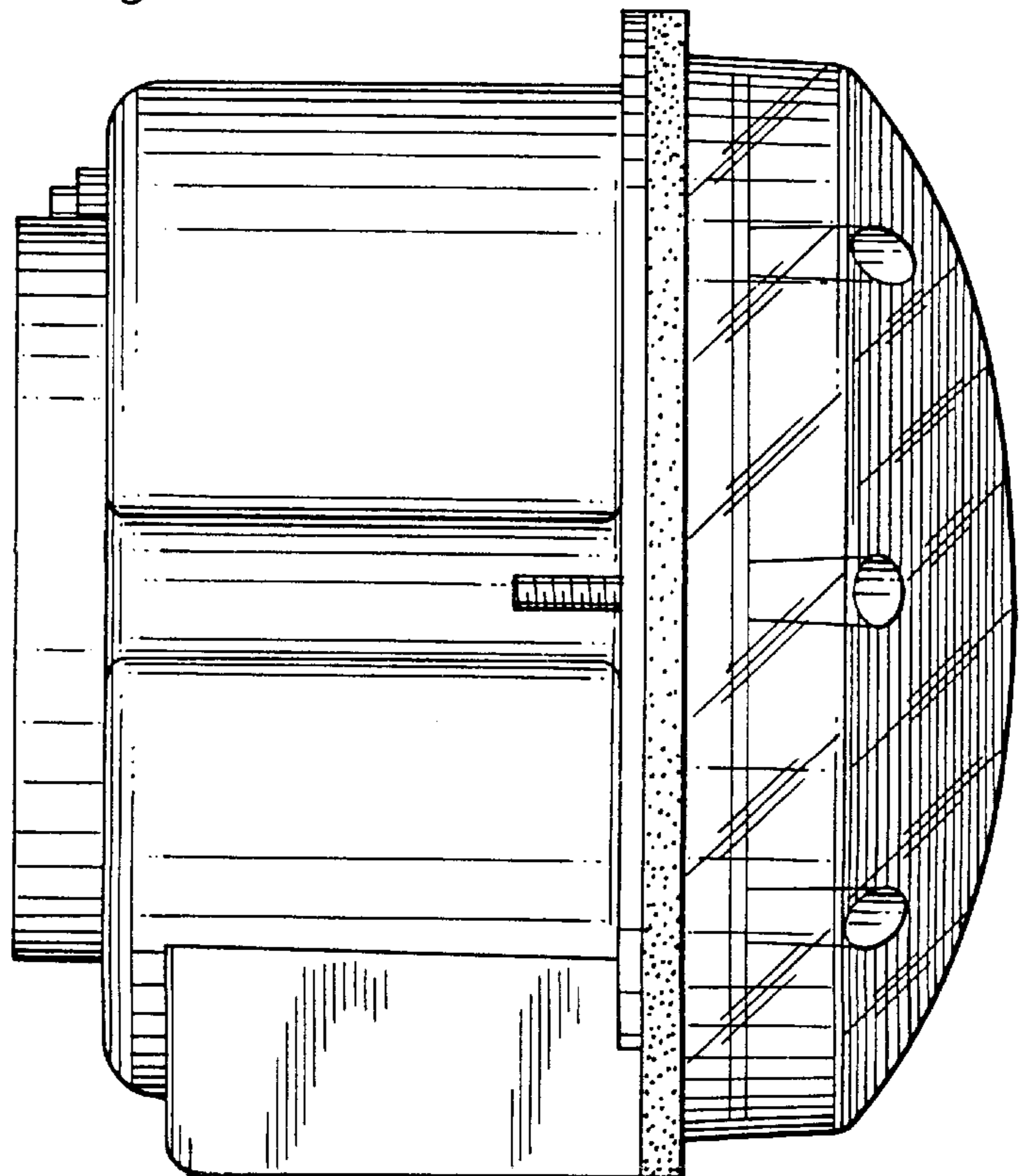


FIG. 2

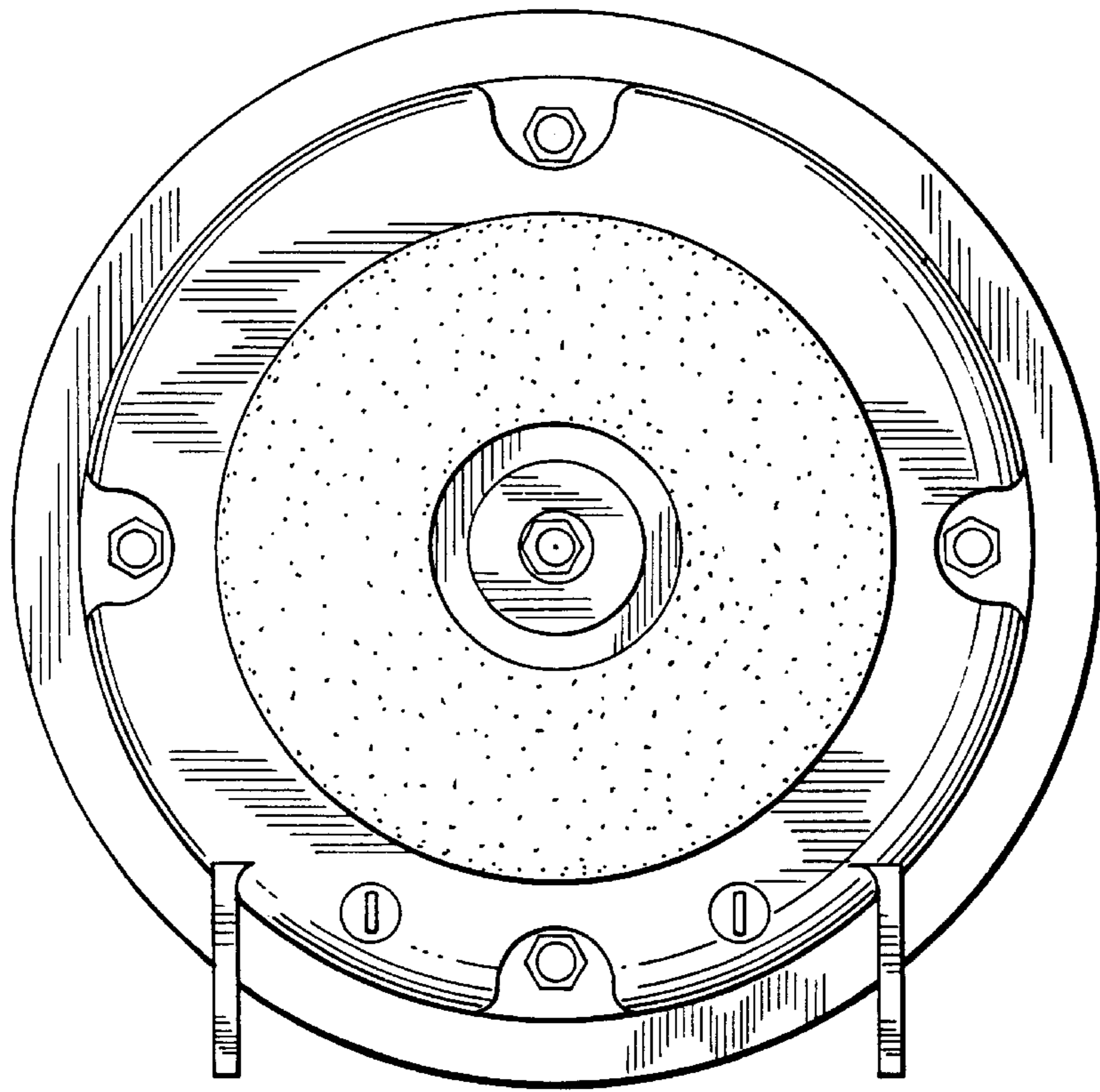


FIG. 3

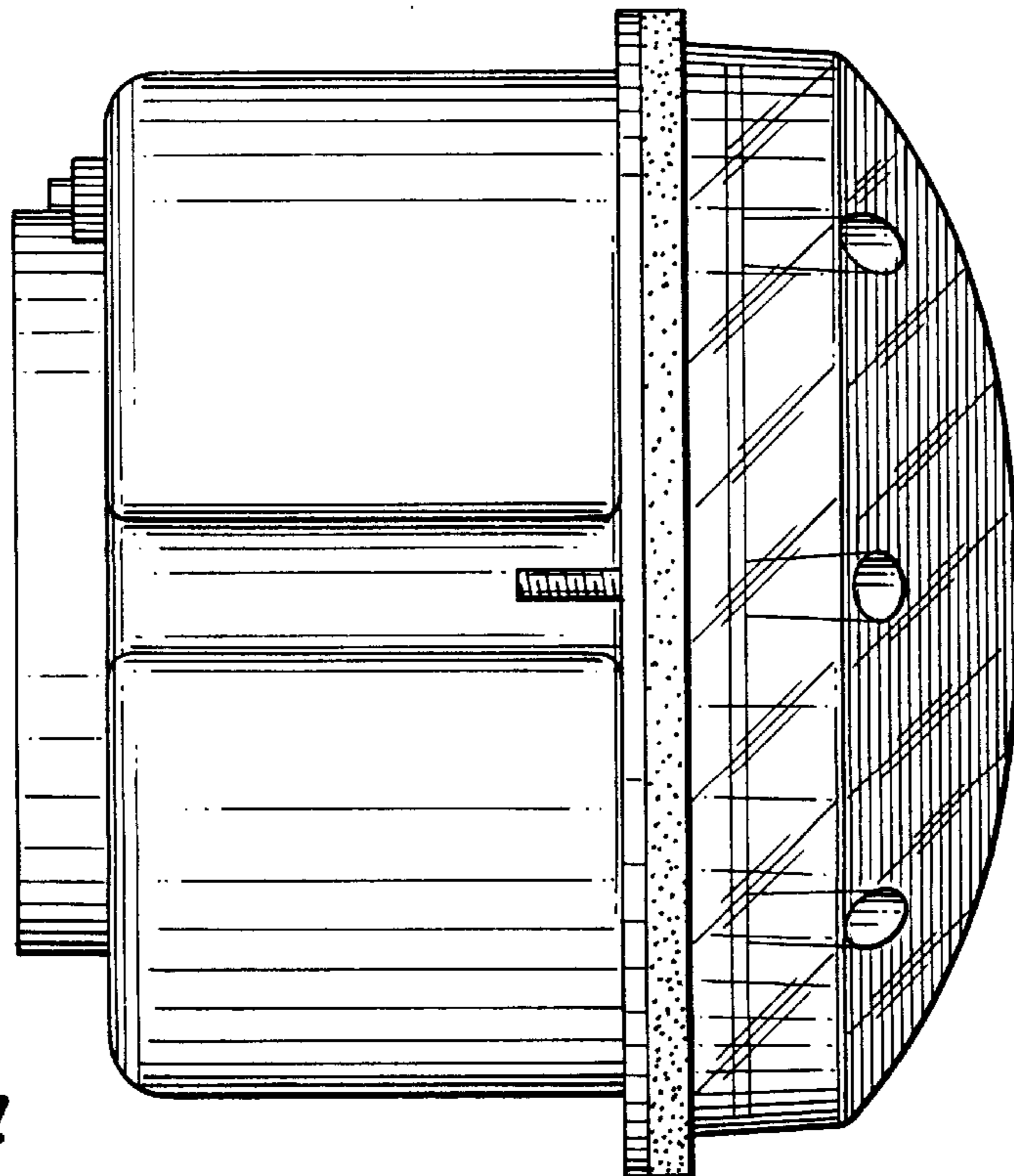


FIG. 4

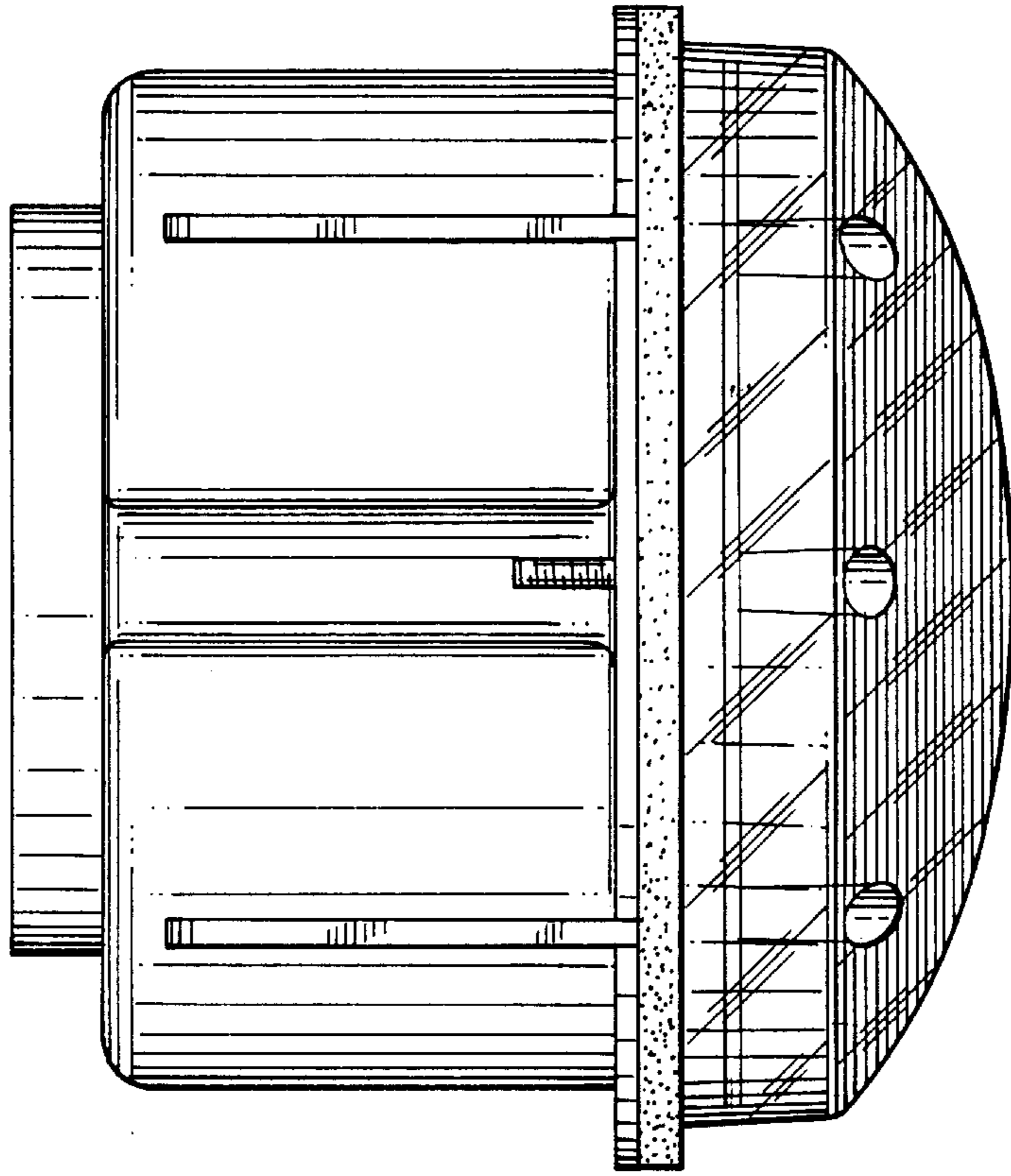


FIG. 5

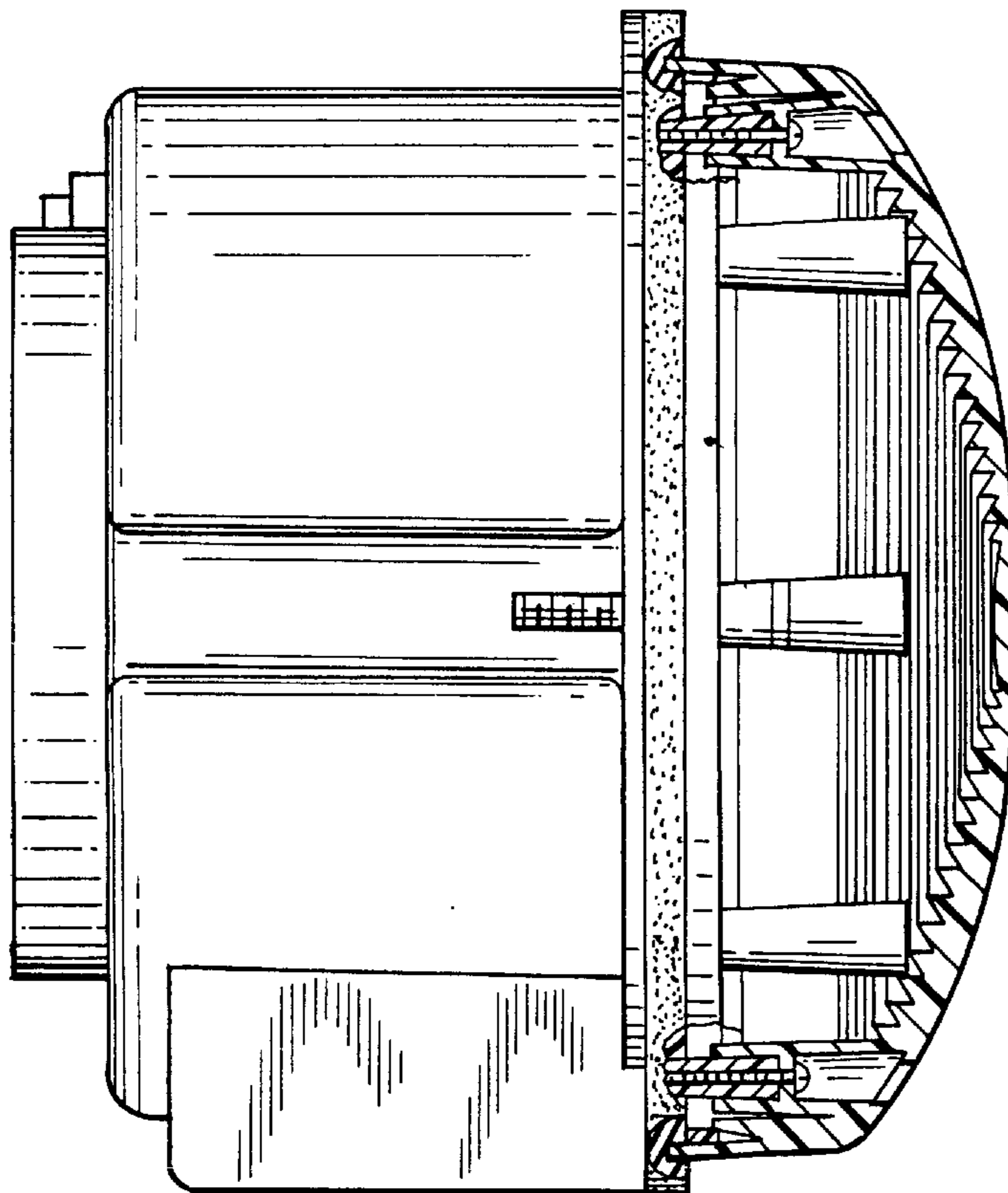


FIG. 6