



US00D401367S

United States Patent [19]
DeLay

[11] **Patent Number: Des. 401,367**

[45] **Date of Patent: **Nov. 17, 1998**

[54] **NIGHT LIGHT**

D. 376,214 12/1996 Pinchuk D26/26
D. 380,565 7/1997 Ho D26/26

[75] Inventor: **Daniel J. DeLay**, Waterford, Wis.

Primary Examiner—Susan J. Lucas
Attorney, Agent, or Firm—Brinks, Hofer, Gilson & Lione

[73] Assignee: **Intermatic Incorporated**, Spring Grove, Ill.

[57] **CLAIM**

[**] Term: **14 Years**

The ornamental design for a night light, as shown.

[21] Appl. No.: **76,706**

DESCRIPTION

[22] Filed: **Sep. 18, 1997**

FIG. 1 is a perspective view of a night light showing my new design;

[51] **LOC (6) Cl.** **26-05**

FIG. 2 is a front view thereof;

[52] **U.S. Cl.** **D26/26; D26/72**

FIG. 3 is a side view thereof;

[58] **Field of Search** D26/26, 37, 72,
D26/80-92; 362/226, 147, 432, 200

FIG. 4 is an opposite side view thereof;

FIG. 5 is a top view thereof;

FIG. 6 is a bottom view thereof; and,

FIG. 7 is a back view thereof.

[56] **References Cited**

U.S. PATENT DOCUMENTS

D. 285,911 9/1986 Yuen D26/37

1 Claim, 2 Drawing Sheets

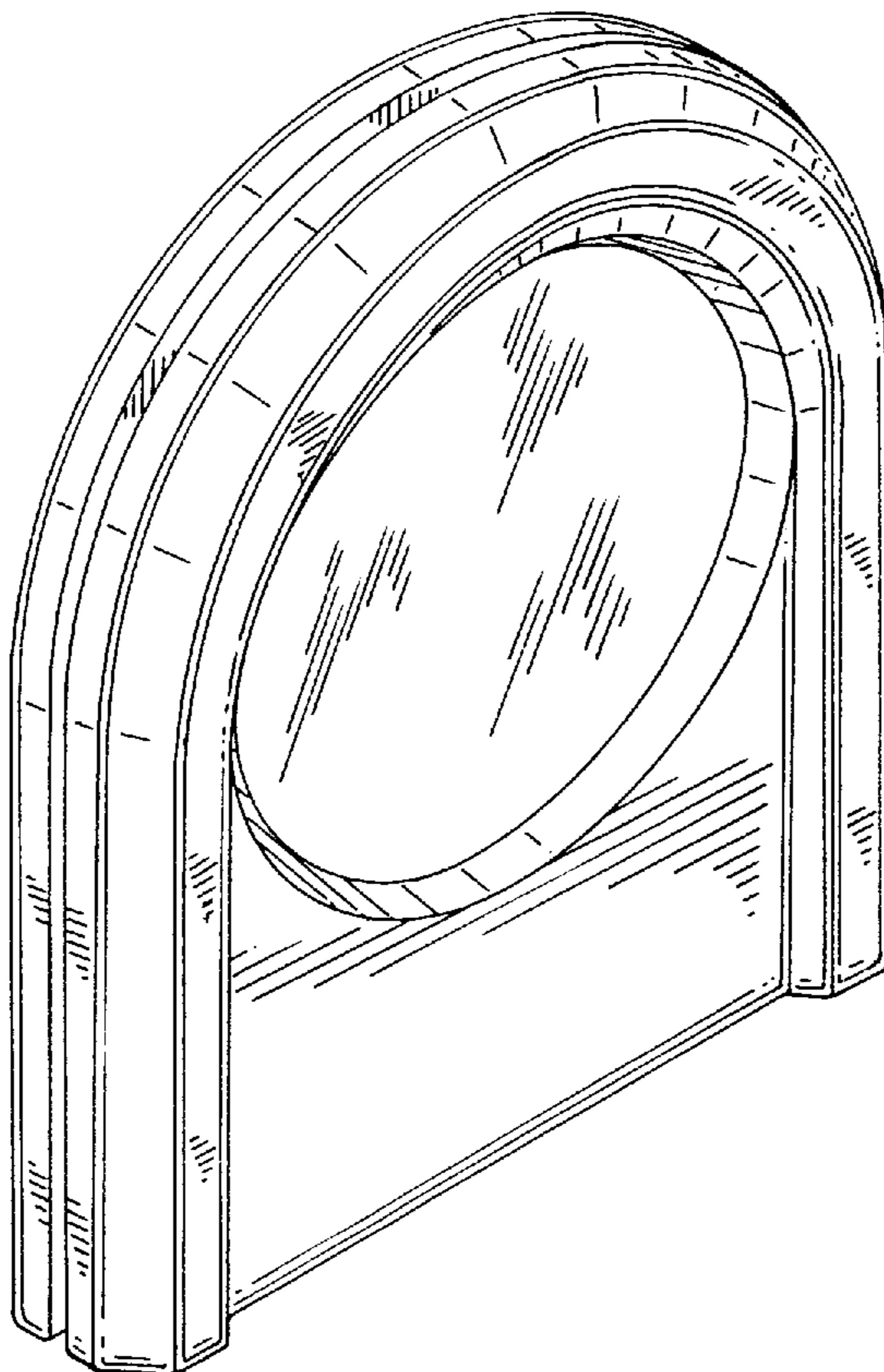


FIG. 1

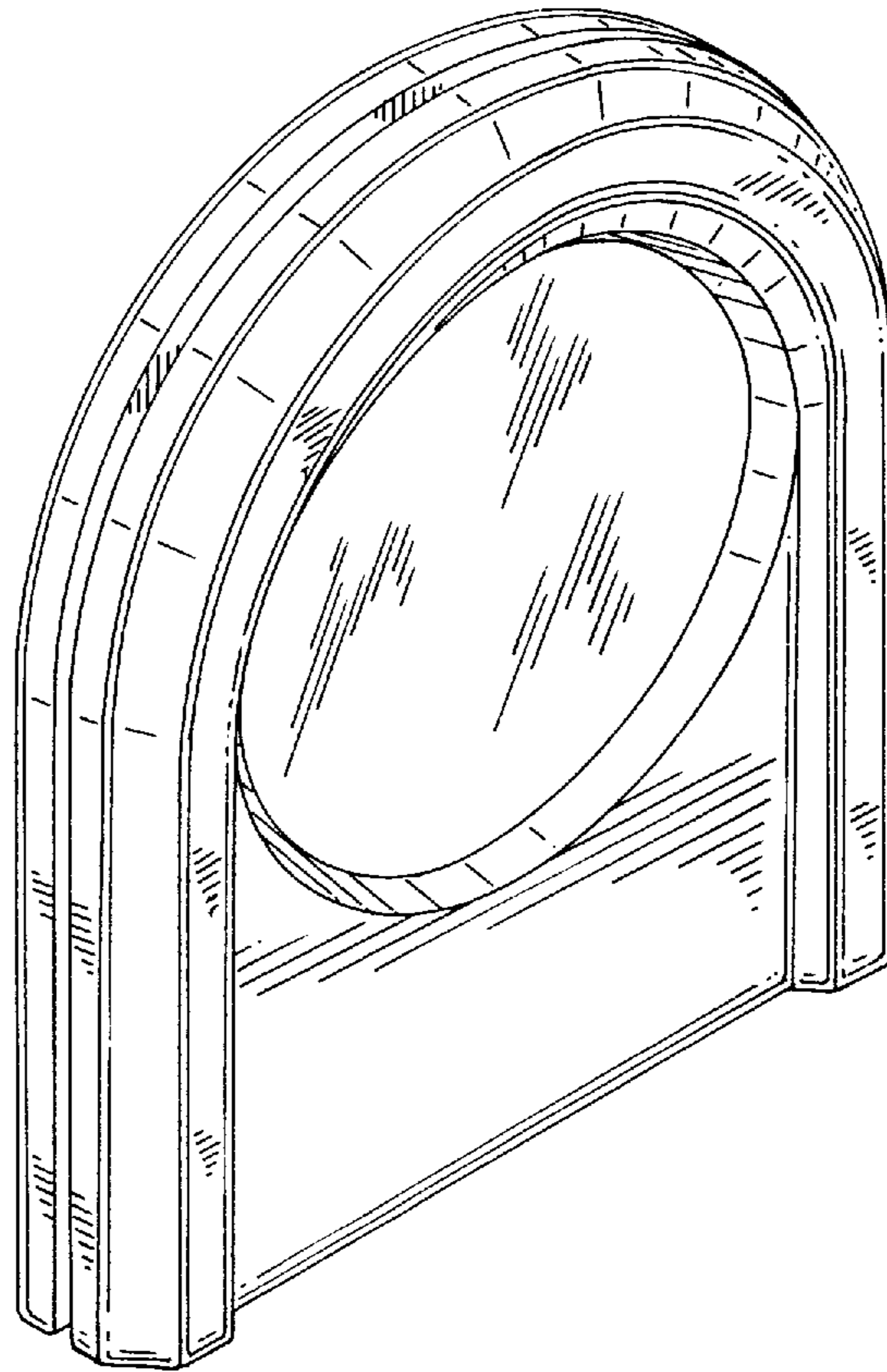


FIG. 2

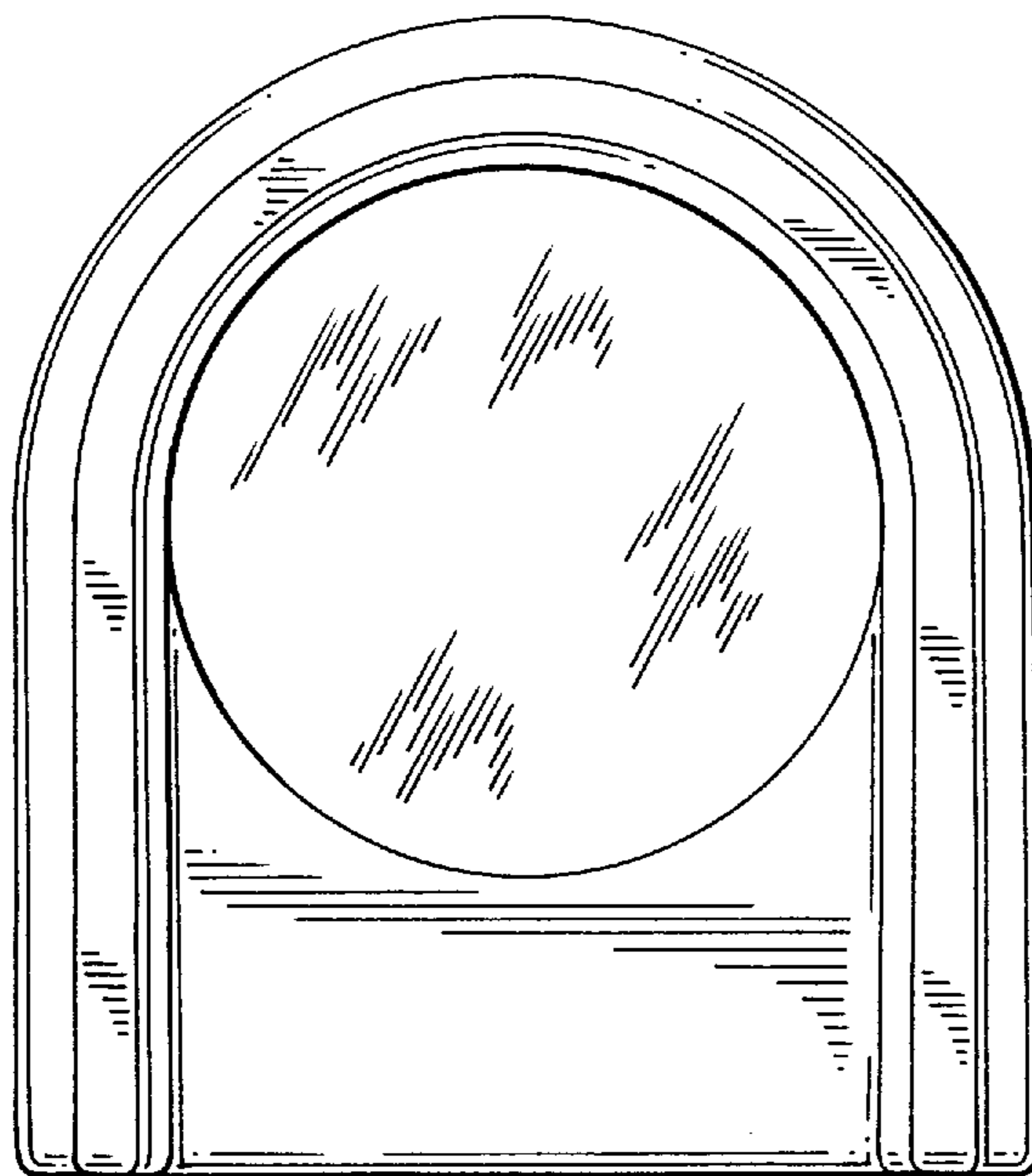


FIG. 3

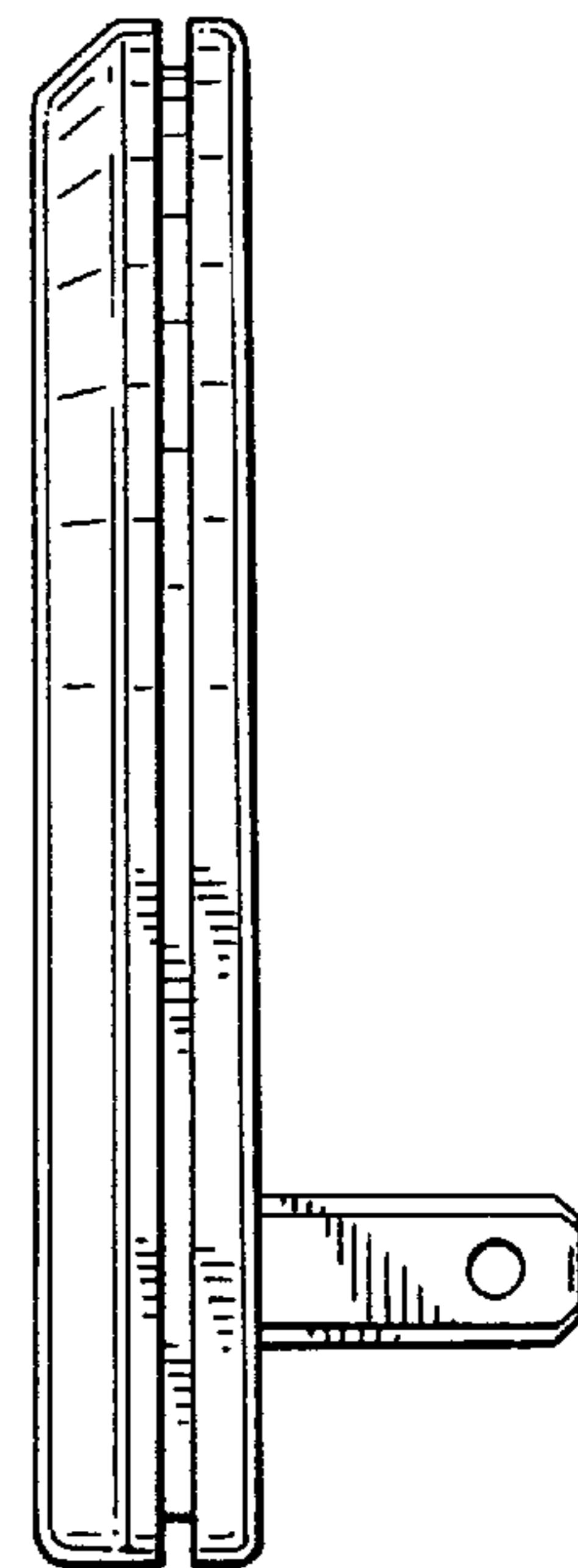


FIG. 4

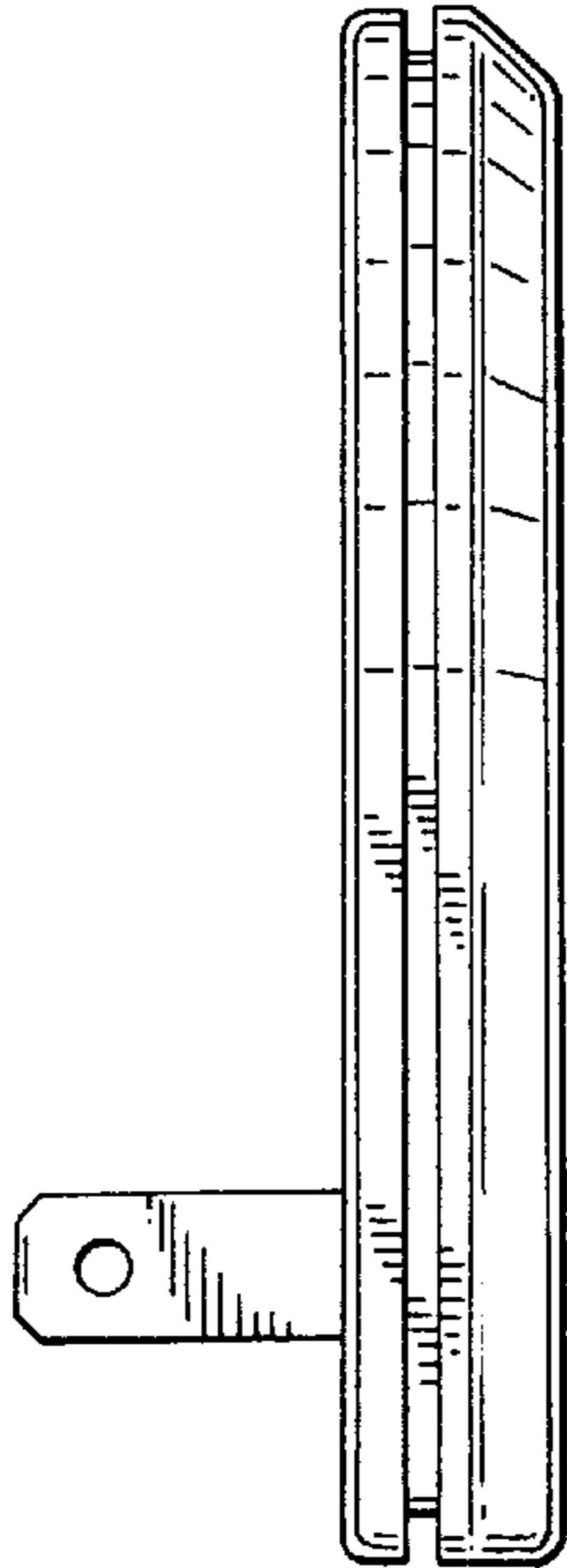


FIG. 5

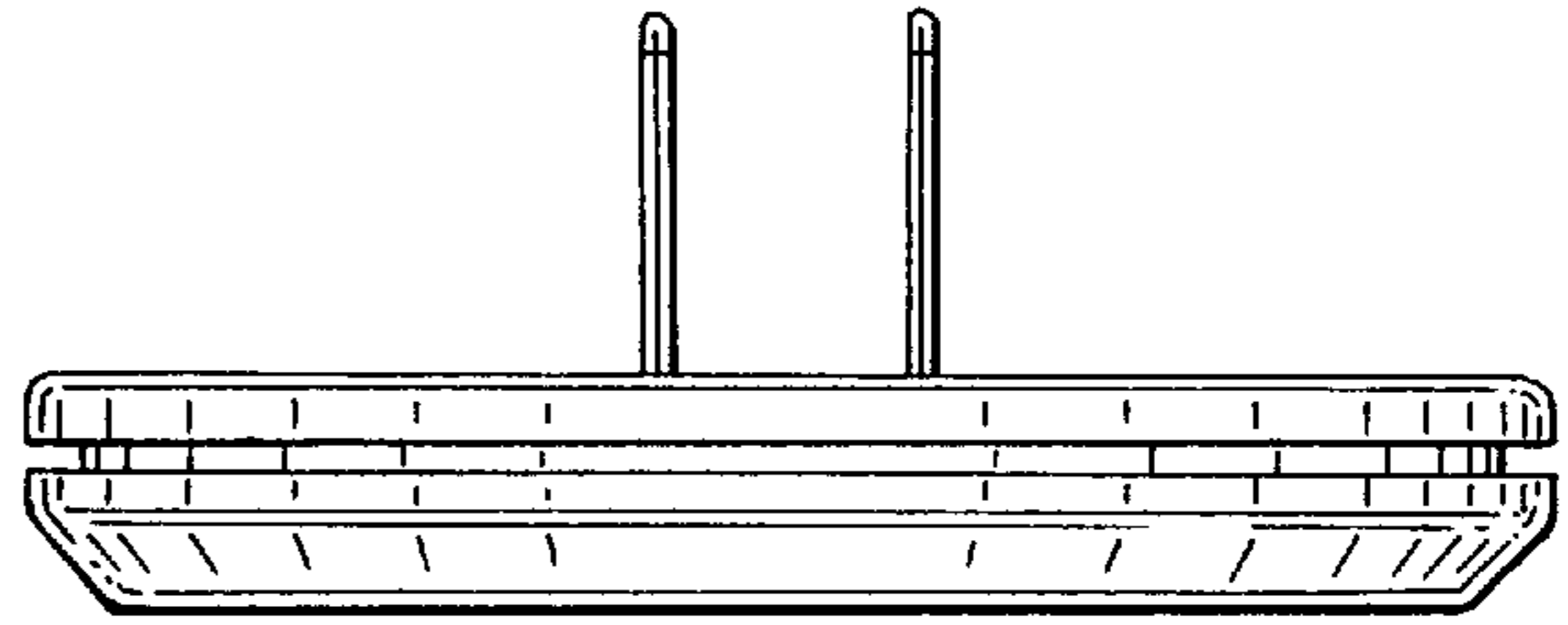


FIG. 6

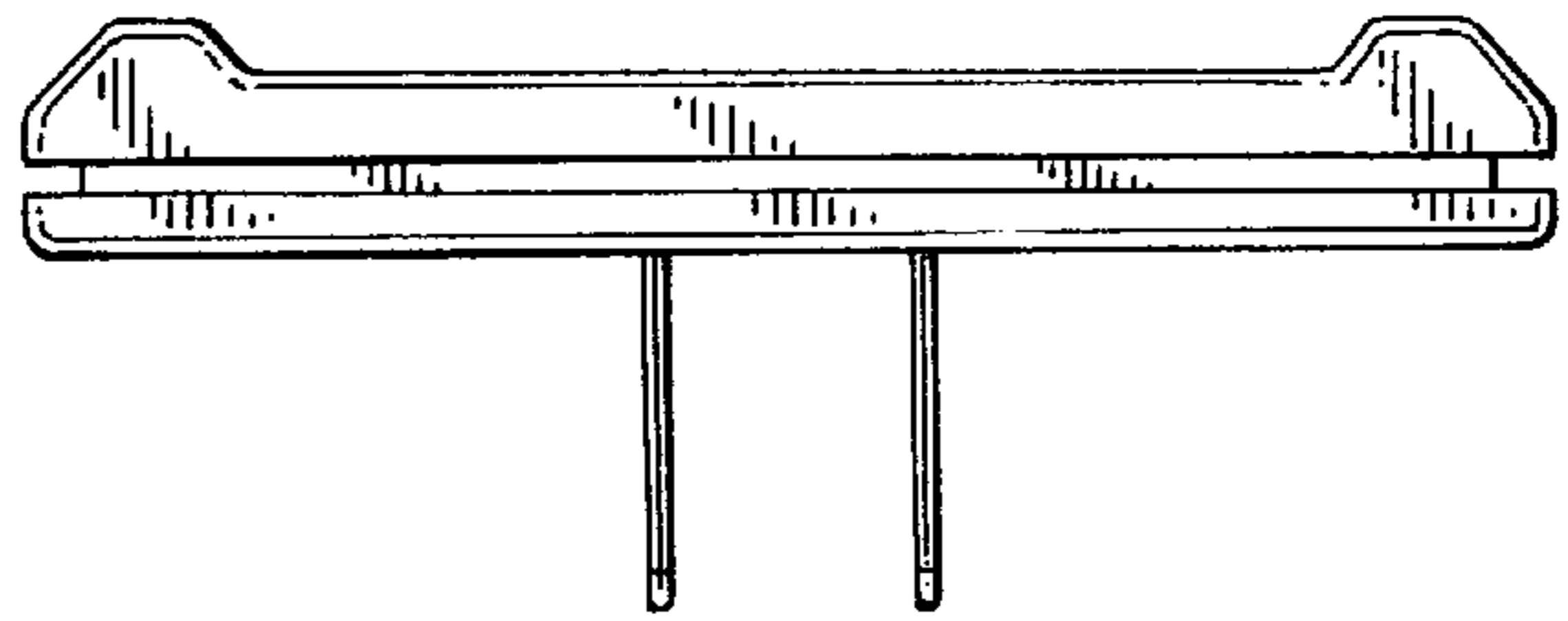


FIG. 7

