



US00D401360S

# United States Patent [19]

Confer et al.

[11] Patent Number: Des. 401,360

[45] Date of Patent: \*\*Nov. 17, 1998

[54] GATE

416,885	12/1889	Alexander	.....	256/73
1,176,484	3/1916	Otis	.....	D25/50
4,630,396	12/1986	Zvi et al.	.....	49/55

[75] Inventors: **Raymond C. Confer**, Lockport; **David J. Lipniarski**, North Tonawanda, both of N.Y.

*Primary Examiner*—Doris Clark  
*Attorney, Agent, or Firm*—Hodgson, Russ, Andrews, Woods & Goodyear

[73] Assignee: **Confer Plastics Inc.**, North Tonawanda, N.Y.

[\*\*] Term: **14 Years**

### [57] CLAIM

The ornamental design for a gate, as shown and described.

[21] Appl. No.: **73,276**

### DESCRIPTION

[22] Filed: **Jul. 17, 1997**

FIG. 1 is a front elevational view of a gate incorporating our design;

[51] LOC (6) Cl. .... **24-02**

FIG. 2 is a rear elevational view thereof;

[52] U.S. Cl. .... **D25/50**

FIG. 3 is a right side elevational view thereof;

[58] Field of Search ..... D25/50, 39; 49/50, 49/55, 57; 256/73

FIG. 4 is a left side elevational view thereof;

FIG. 5 is a top view thereof; and,

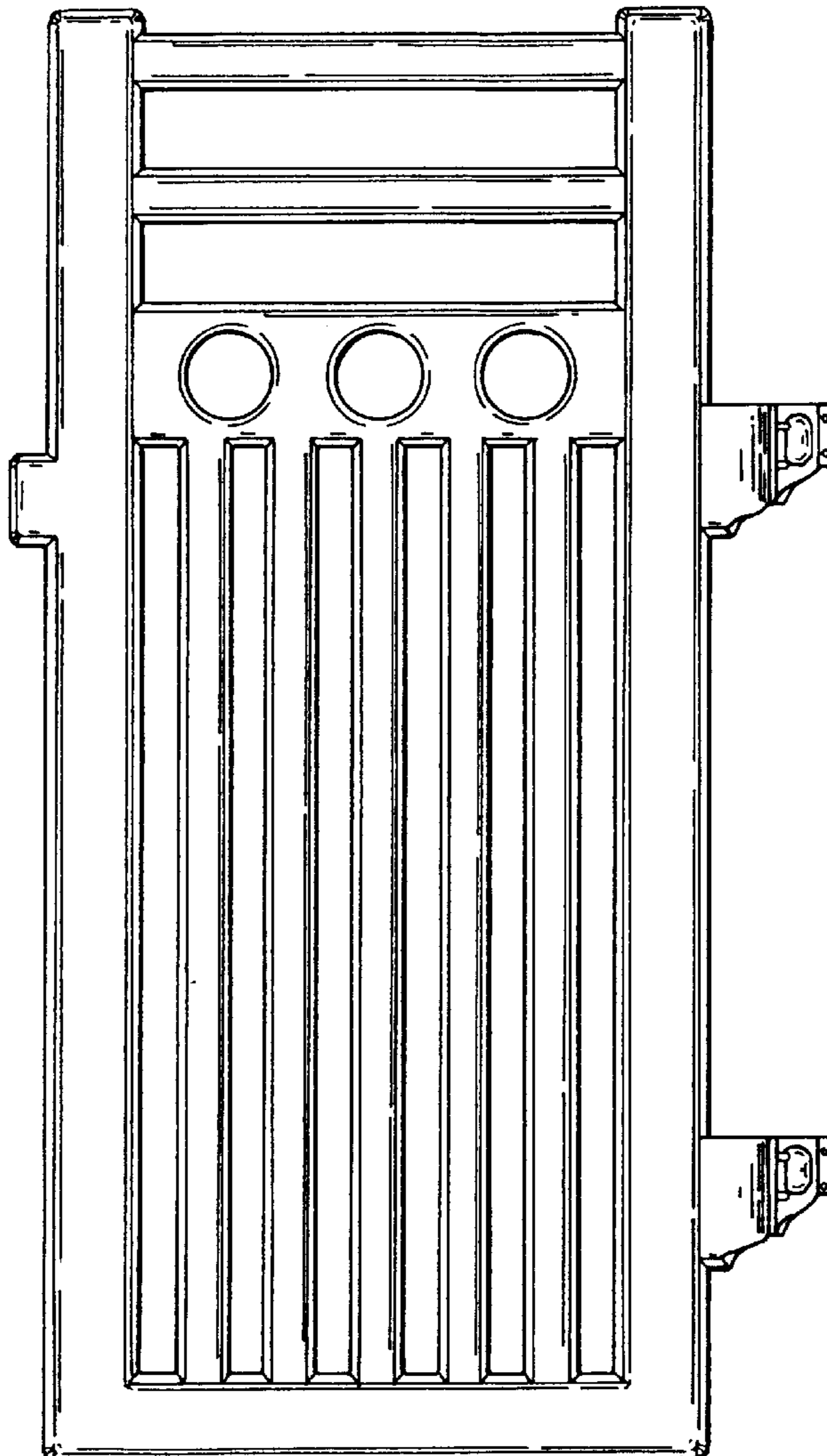
FIG. 6 is a bottom view thereof.

### [56] References Cited

#### U.S. PATENT DOCUMENTS

D. 244,459 5/1977 Kratky ..... D25/50

**1 Claim, 2 Drawing Sheets**



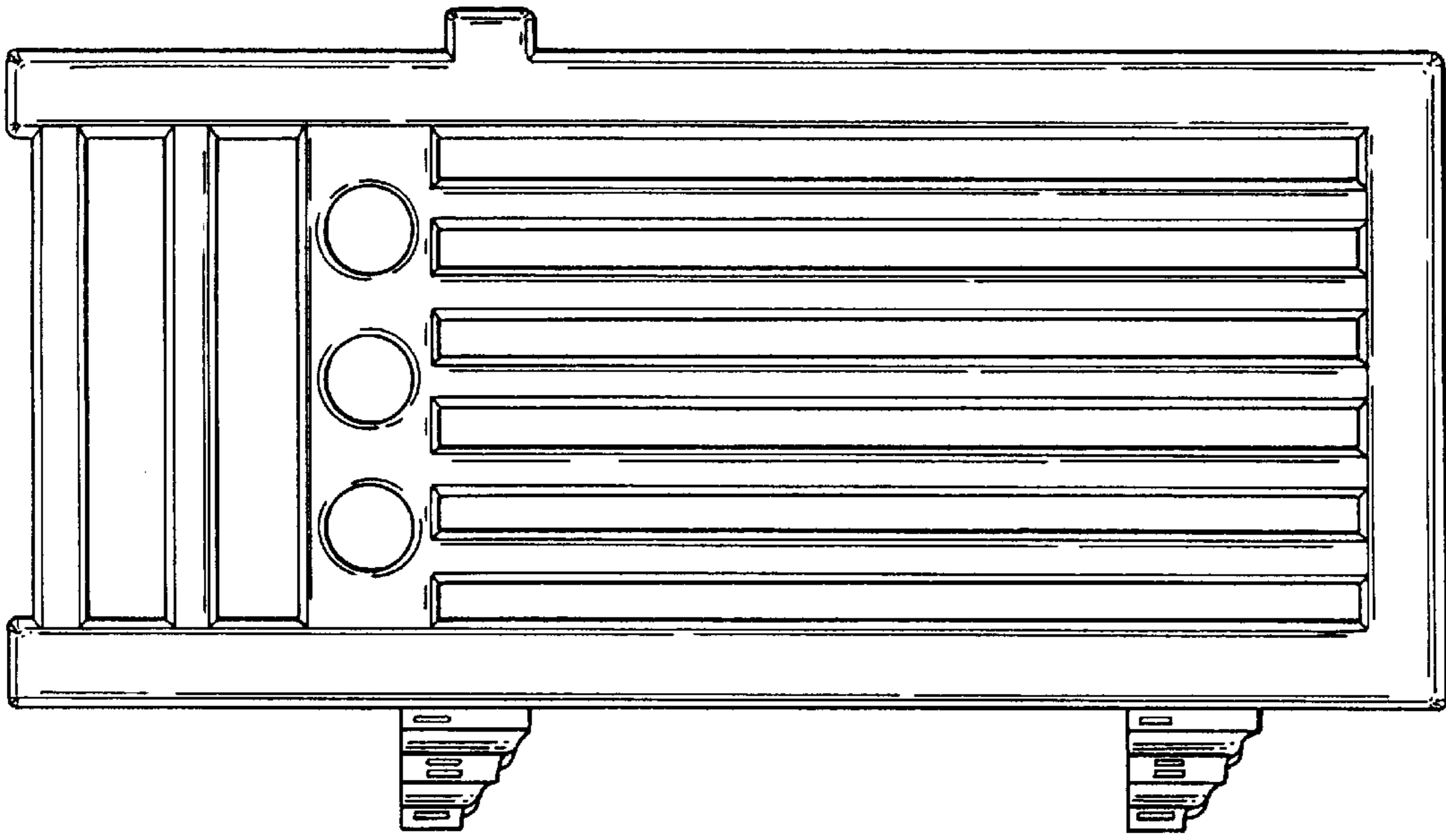


FIG. 2

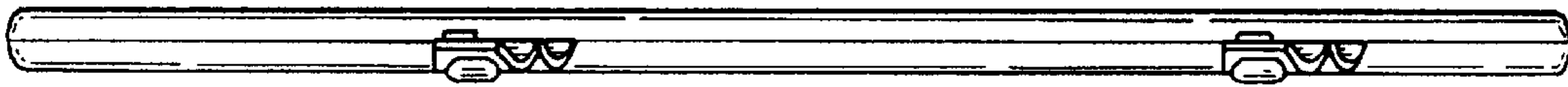


FIG. 3

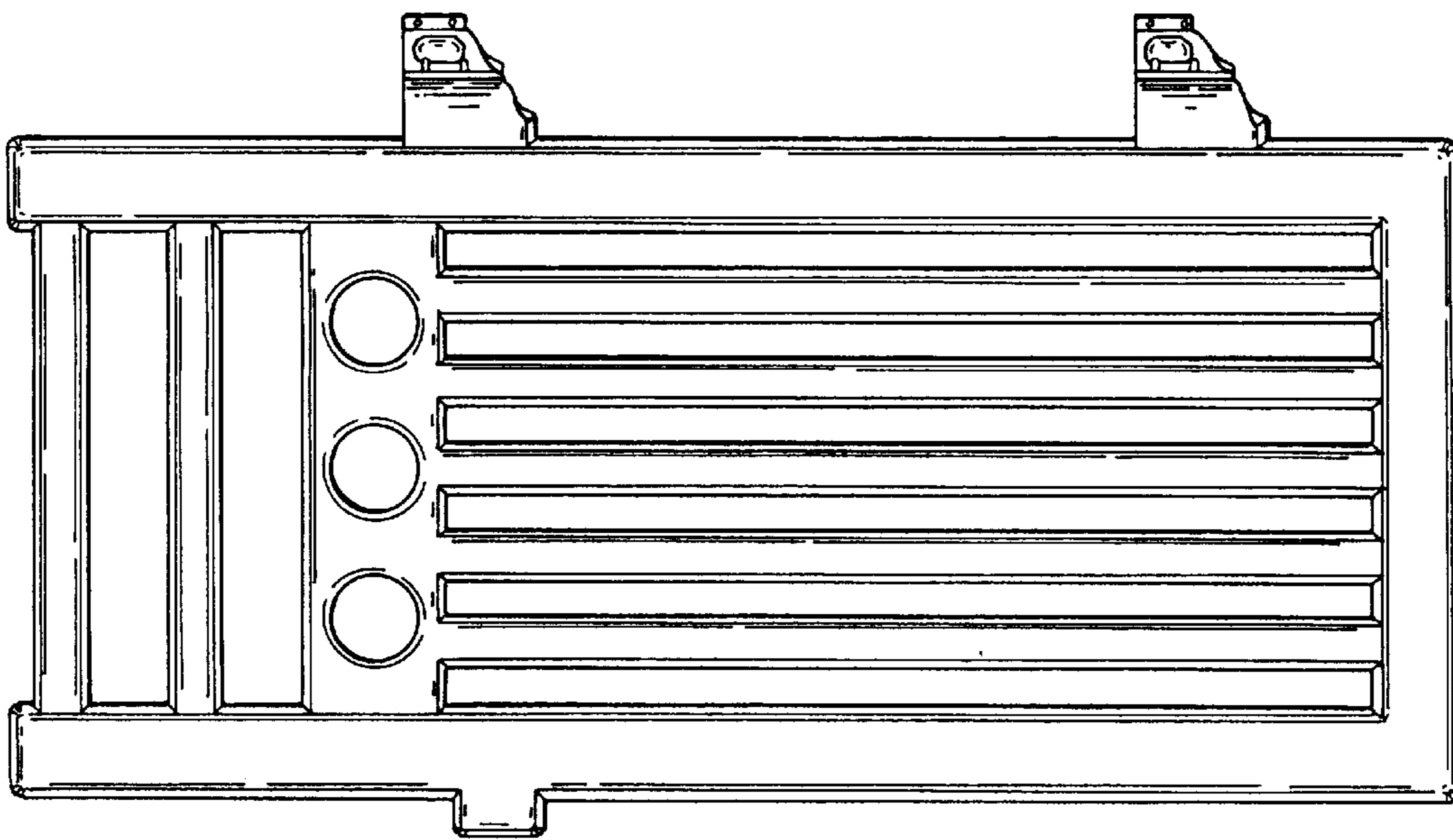


FIG. 1



FIG. 4



FIG. 5

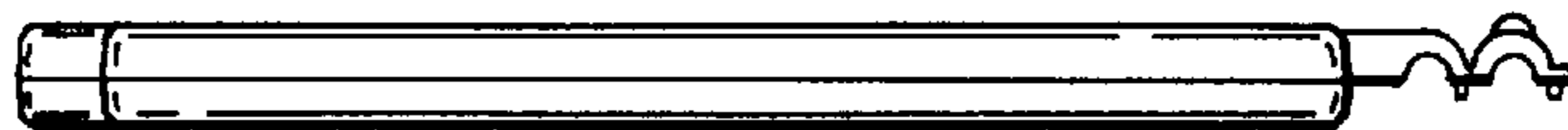


FIG. 6