



US00D401358S

**United States Patent** [19]  
**Oliver**

[11] **Patent Number: Des. 401,358**

[45] **Date of Patent: \*\*Nov. 17, 1998**

[54] **WINDOW COMPONENT EXTRUSION**

D. 343,012 1/1994 Cole ..... D25/124

[75] Inventor: **Teresa A. Oliver**, Kent, Wash.

**OTHER PUBLICATIONS**

[73] Assignee: **Mikron Industries, Inc.**, Kent, Wash.

Mikron Industries Design No. 6528, Inventor: Doug Cole.  
Mikron Industries Design No. 6816, Inventor: Jeff Franson.

[\*\*] Term: **14 Years**

*Primary Examiner*—Doris Clark  
*Attorney, Agent, or Firm*—Richardson & Folise

[21] Appl. No.: **41,152**

[22] Filed: **Jun. 29, 1995**

[57] **CLAIM**

[51] **LOC (6) Cl.** ..... **25-01**

The ornamental design for a window component extrusion,  
as shown and described.

[52] **U.S. Cl.** ..... **D25/124**

[58] **Field of Search** ..... D25/121-125,  
D25/60, 52; 49/DIG. 2, 504, 505; 52/204.5,  
204.56, 204.51, 730.3, 204.1

**DESCRIPTION**

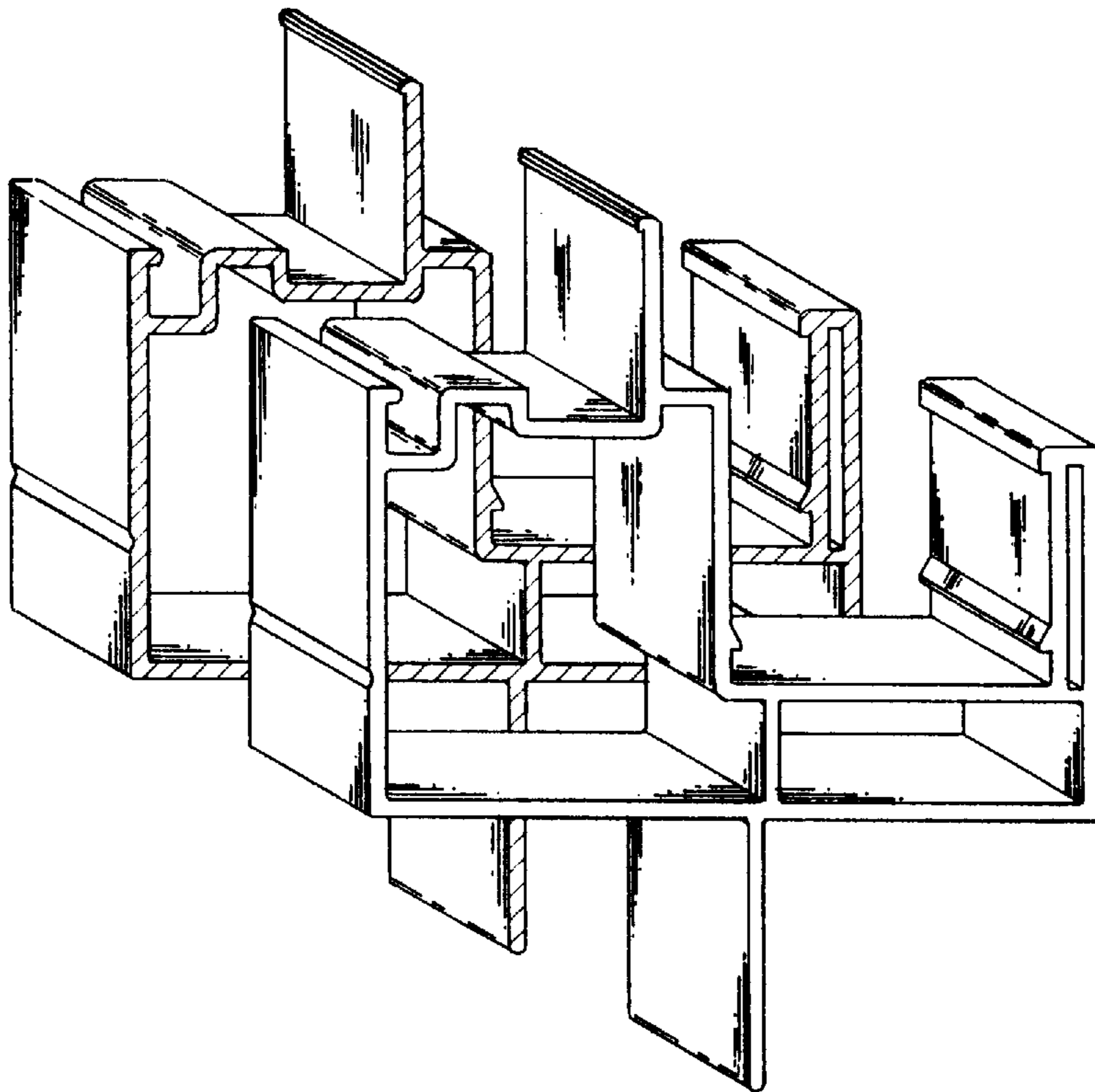
[56] **References Cited**

FIG. 1 is a top right isometric perspective view of the  
window component extrusion being of indefinite length;  
FIG. 2 is a bottom left isometric perspective view of the  
window component extrusion shown in FIG. 1.

**U.S. PATENT DOCUMENTS**

D. 338,969 8/1993 Cole ..... D25/124

**1 Claim, 1 Drawing Sheet**



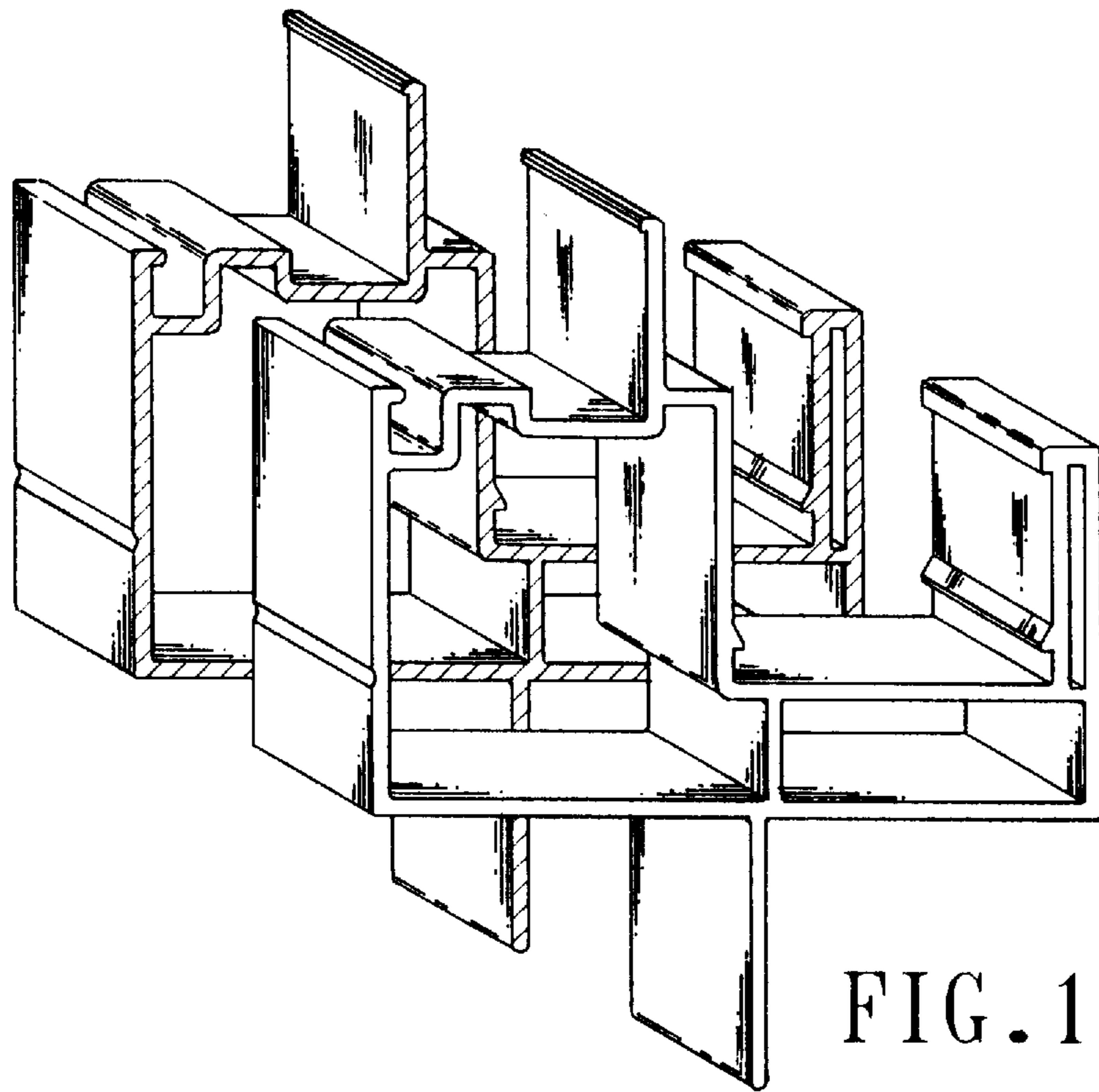


FIG. 1

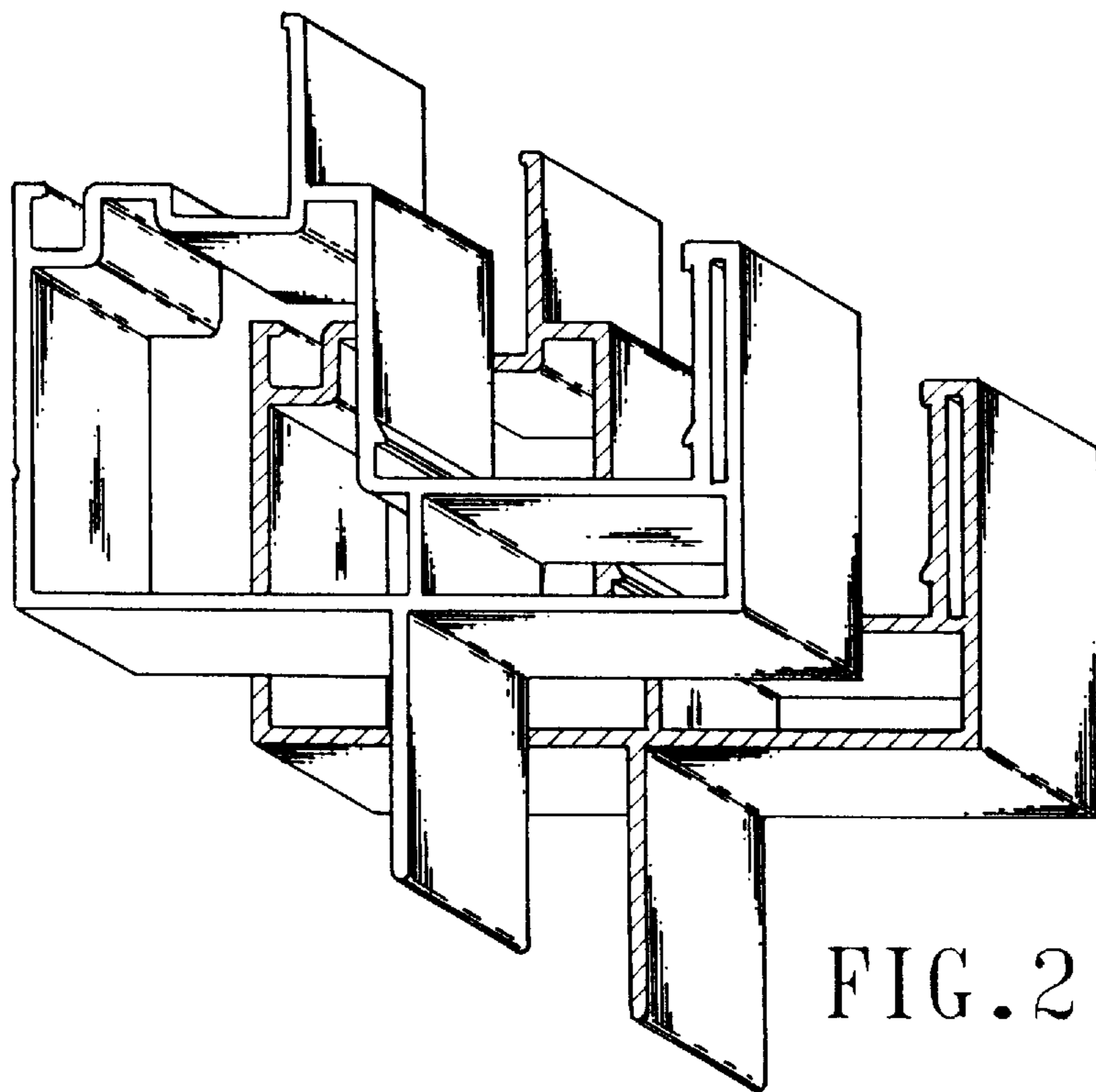


FIG. 2