



US00D401357S

# United States Patent [19]

Rinot et al.

[11] **Patent Number: Des. 401,357**

[45] **Date of Patent: \*\*Nov. 17, 1998**

[54] **CONSTRUCTION BEAM EXTRUSION**

D. 291,832	9/1987	Ludström	.....	D25/126
D. 371,209	6/1996	De Zen	.....	D25/122
3,893,271	7/1975	Kotlarz	.....	52/223.8

[75] Inventors: **Jacob Rinot**, Herzliya; **Uri Rinot**, Rishon Le-Zion, both of Israel

*Primary Examiner*—Doris Clark  
*Attorney, Agent, or Firm*—Browdy and Neimark

[73] Assignee: **Rinot Planning & Installation Ltd.**, Rishon Le-Zion, Israel

[\*\*] Term: **14 Years**

[57] **CLAIM**

The ornamental design for a construction beam extrusion, as shown and described.

[21] Appl. No.: **68,432**

[22] Filed: **Apr. 7, 1997**

**DESCRIPTION**

[30] **Foreign Application Priority Data**

Dec. 17, 1996 [IL] Israel ..... 27200

FIG. 1 is a perspective view of a construction beam extrusion showing our new design, the extrusion being of indeterminate length;

[51] **LOC (6) Cl.** ..... **25-01**

FIG. 2 is an end view thereof;

[52] **U.S. Cl.** ..... **D25/122; D25/126**

FIG. 3 is right side view thereof;

[58] **Field of Search** ..... D25/122, 126, D25/61; 52/223.8, 226.2, 650.1

FIG. 4 is a top view thereof;

FIG. 5 is left side view thereof; and,

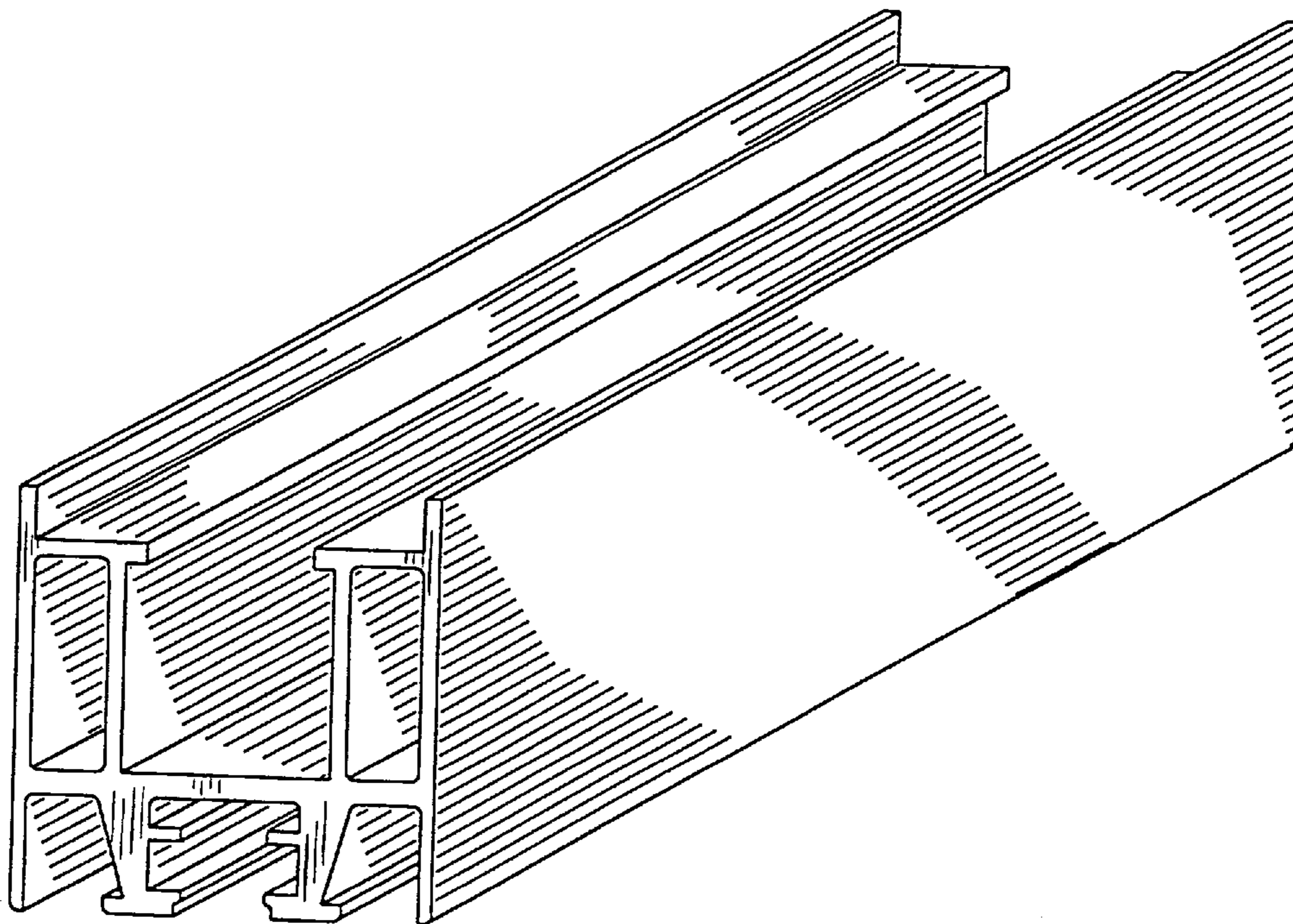
FIG. 6 is a bottom view thereof.

[56] **References Cited**

**U.S. PATENT DOCUMENTS**

D. 273,334 4/1984 Young ..... D25/126

**1 Claim, 2 Drawing Sheets**



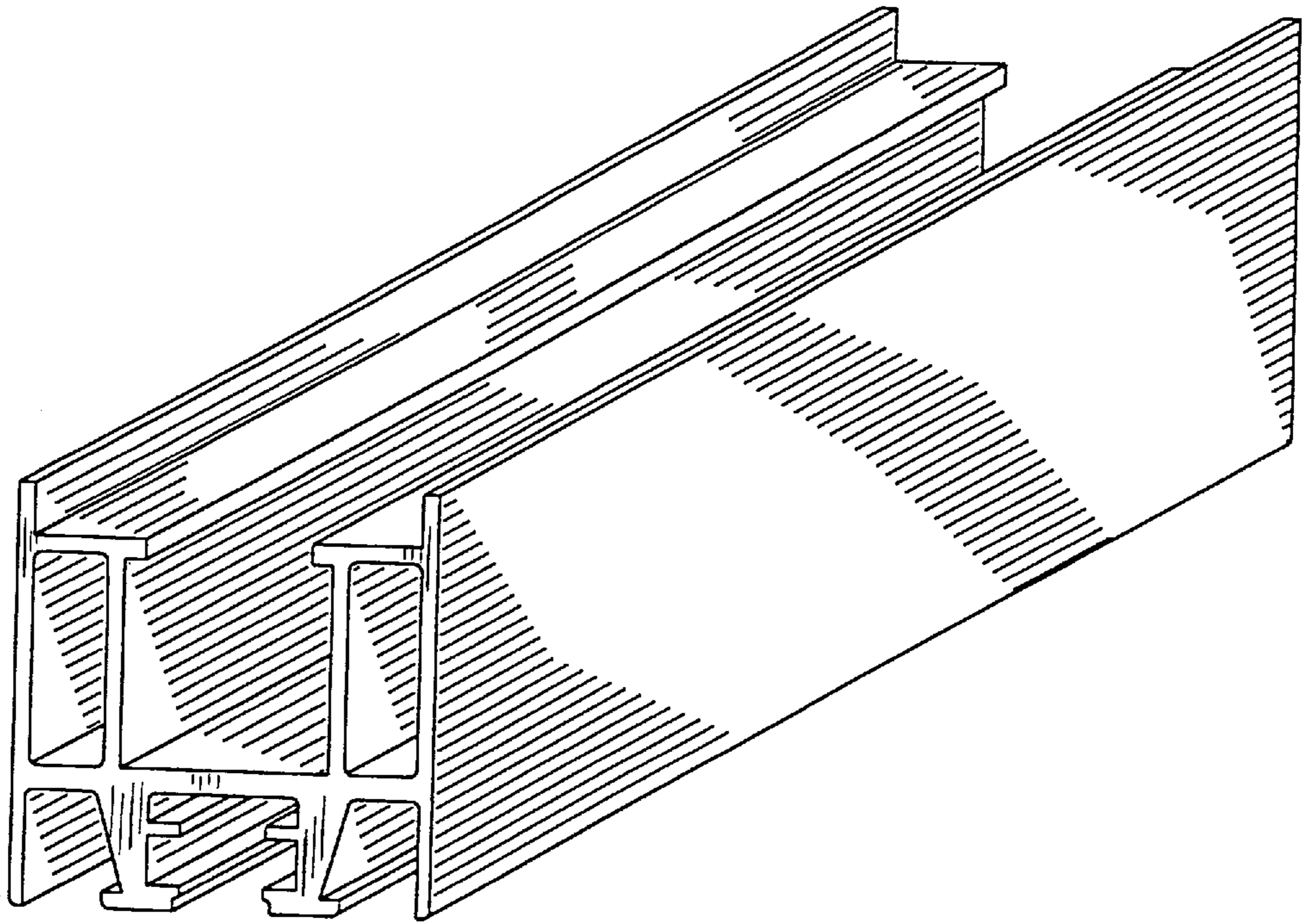


FIG. 1

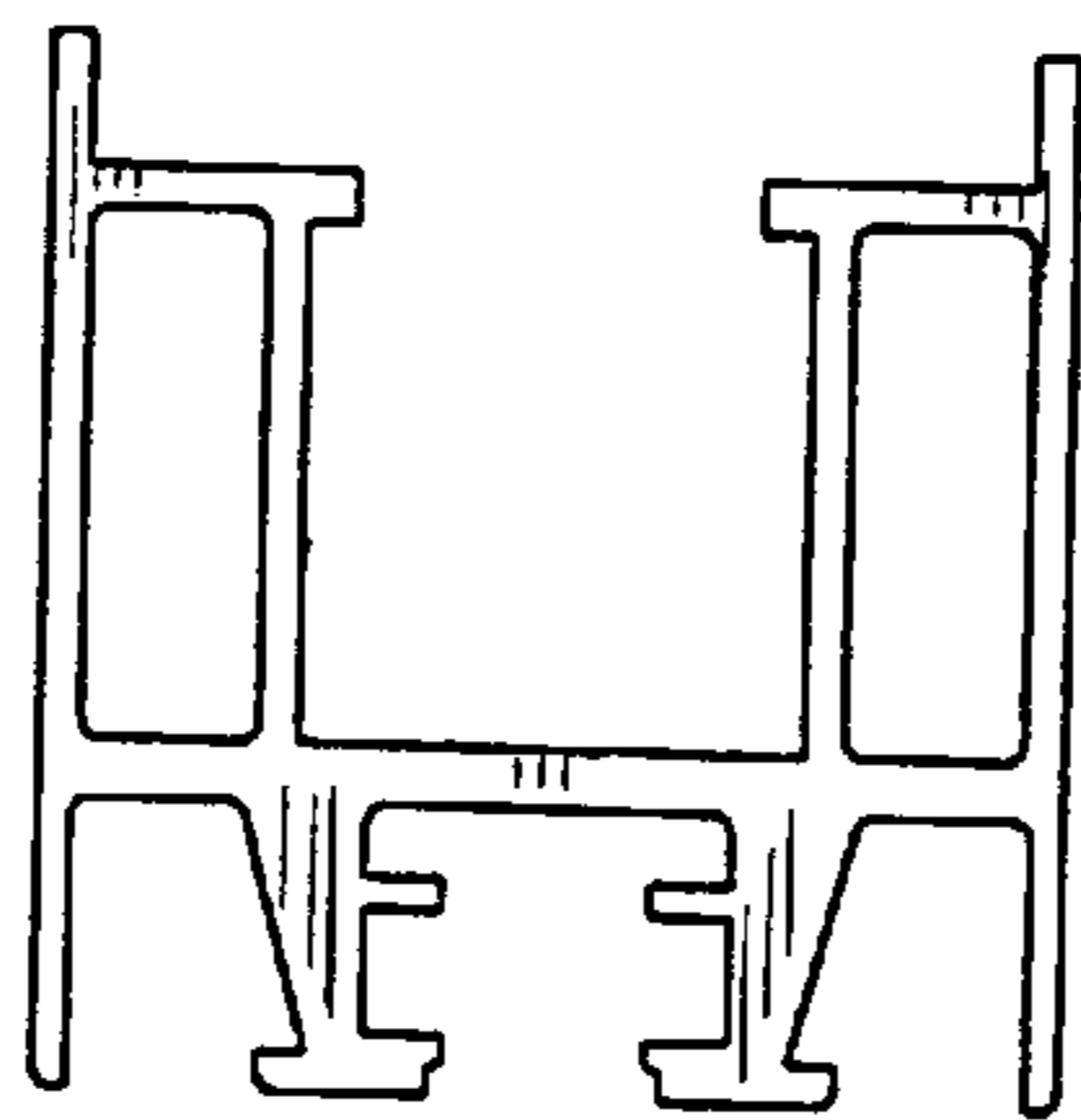


FIG. 2

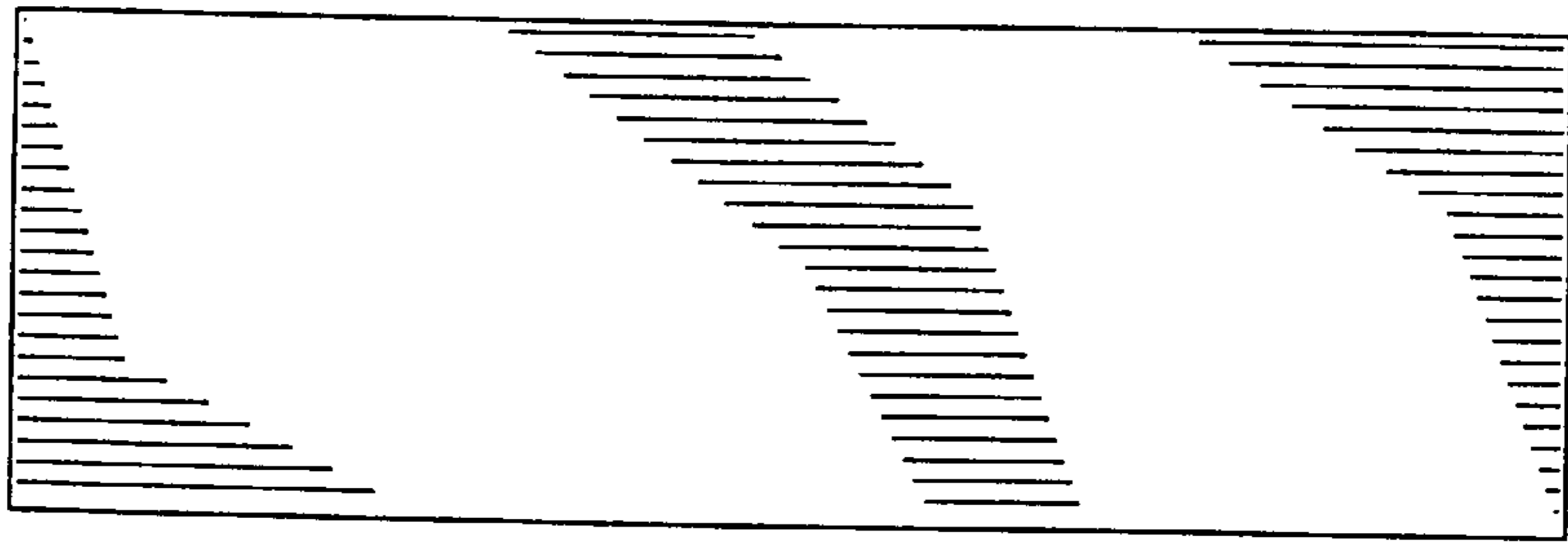


FIG. 3

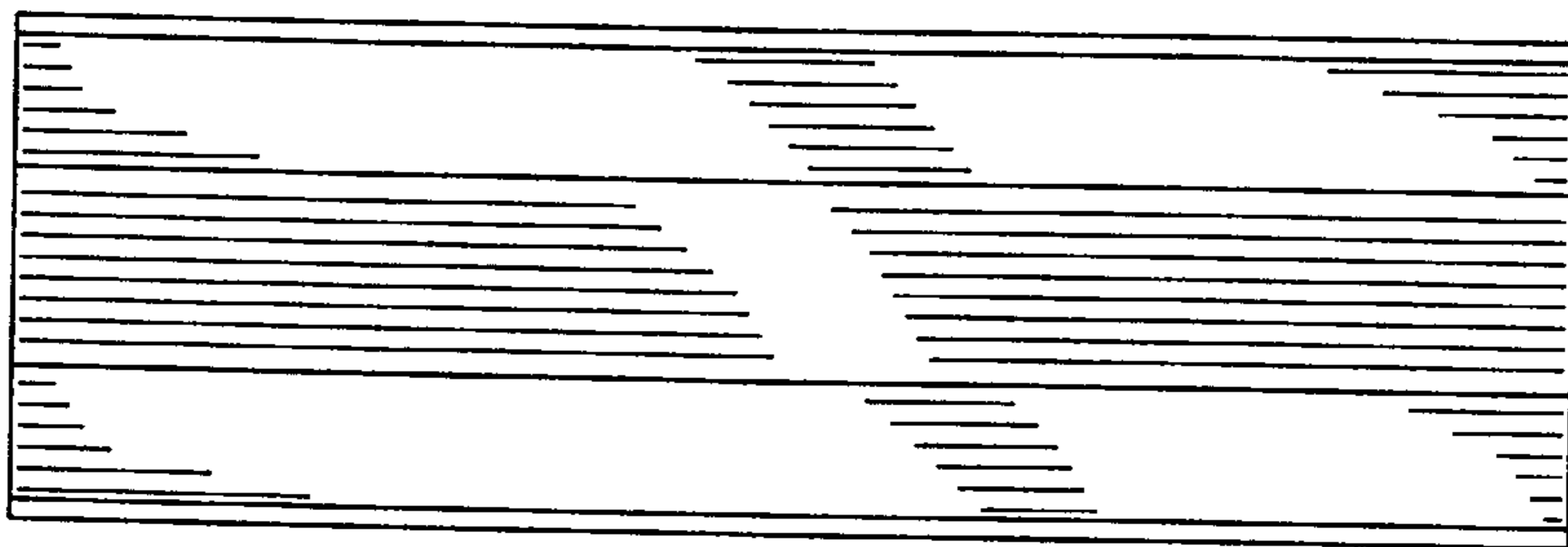


FIG. 4

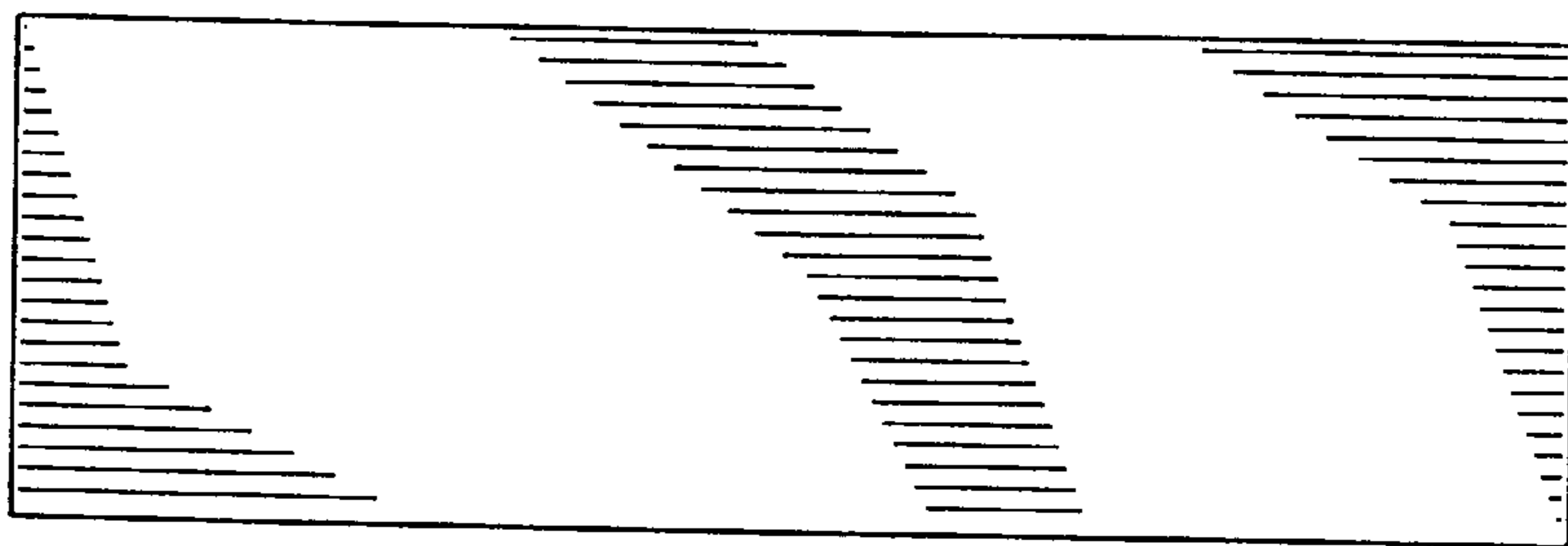


FIG. 5

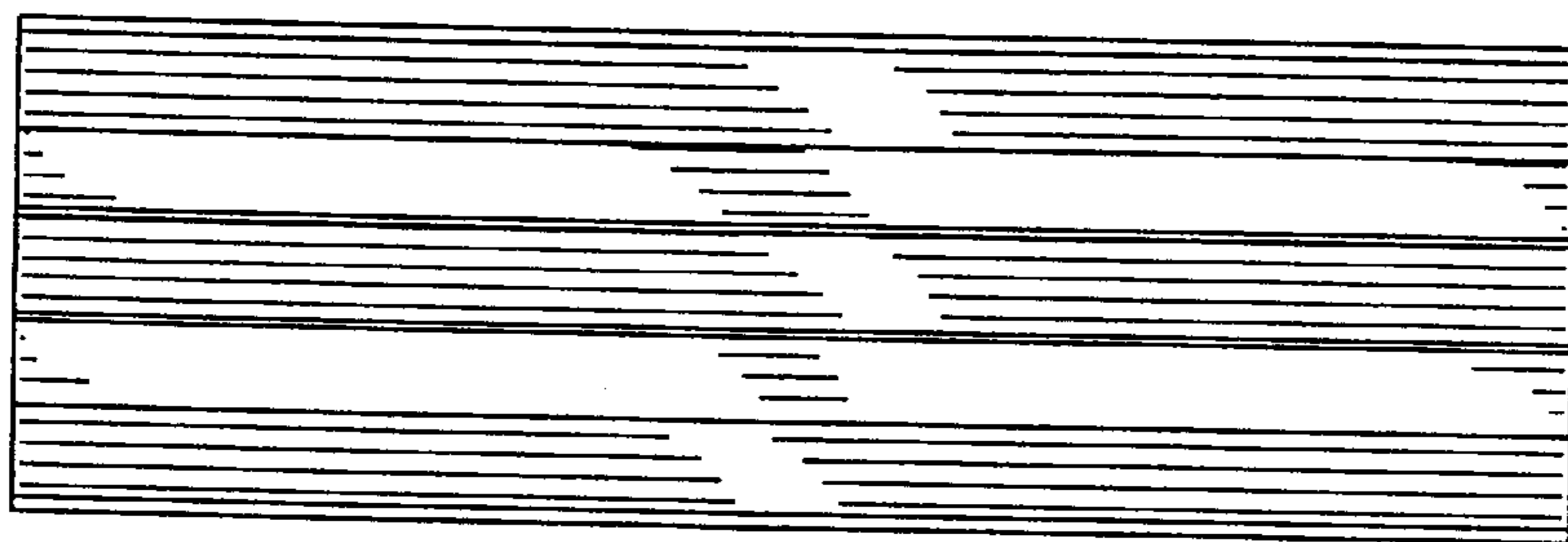


FIG. 6