



US00D401353S

United States Patent [19]

[11] **Patent Number: Des. 401,353**

Bell et al.

[45] **Date of Patent: ***Nov. 17, 1998**

[54] STEP LADDER

OTHER PUBLICATIONS

[75] Inventors: **Randall Bell**, River Forest; **Walter Herbst**, Lake Forest, both of Ill.

Cosco brochure, ladder model No. 11-740 "Tri Step Work Platform" (1995).

[73] Assignee: **Werner Co.**, Greenville, Pa.

Cosco brochure, ladder model No. 11-780 "Pro Step" (1995).

[*] Notice: The term of this patent shall not extend beyond the expiration date of Pat. No. D. 397,228.

Cosco brochure, "Pro Fold" ladder (1995).

[**] Term: **14 Years**

Cosco brochure, ladder model No. 11-725 (1995).

[21] Appl. No.: **71,634**

Cosco brochure, ladder models 11-300 and 11-307 (1995).

[22] Filed: **Jun. 5, 1997**

Cosco brochure, ladder models 11-135 and 11-302 (1995).

[51] **LOC (6) Cl.** **25-04**

U.S. Design Patent Application No. 29/048,682 filed Jan. 11, 1996.

[52] **U.S. Cl.** **D25/64; D25/65**

Primary Examiner—Doris Clark

Attorney, Agent, or Firm—Howrey & Simon

[58] **Field of Search** D25/62, 65, 64; 182/26, 33, 33.2

[57] CLAIM

The ornamental design for a step ladder, as shown and described.

[56] References Cited

DESCRIPTION

U.S. PATENT DOCUMENTS

FIG. 1 is perspective view of a first embodiment of the invention;

FIG. 2 is a front view thereof;

FIG. 3 is a rear view thereof;

FIG. 4 is a left side view thereof, being the mirror of the right side view; and

FIG. 5 is a top view thereof;

FIG. 6 is a perspective view of a second embodiment of the invention;

FIG. 7 is a front view thereof;

FIG. 8 is a rear view thereof;

FIG. 9 is a left side view thereof, being the mirror of the right side view; and

FIG. 10 is a top view thereof; and,

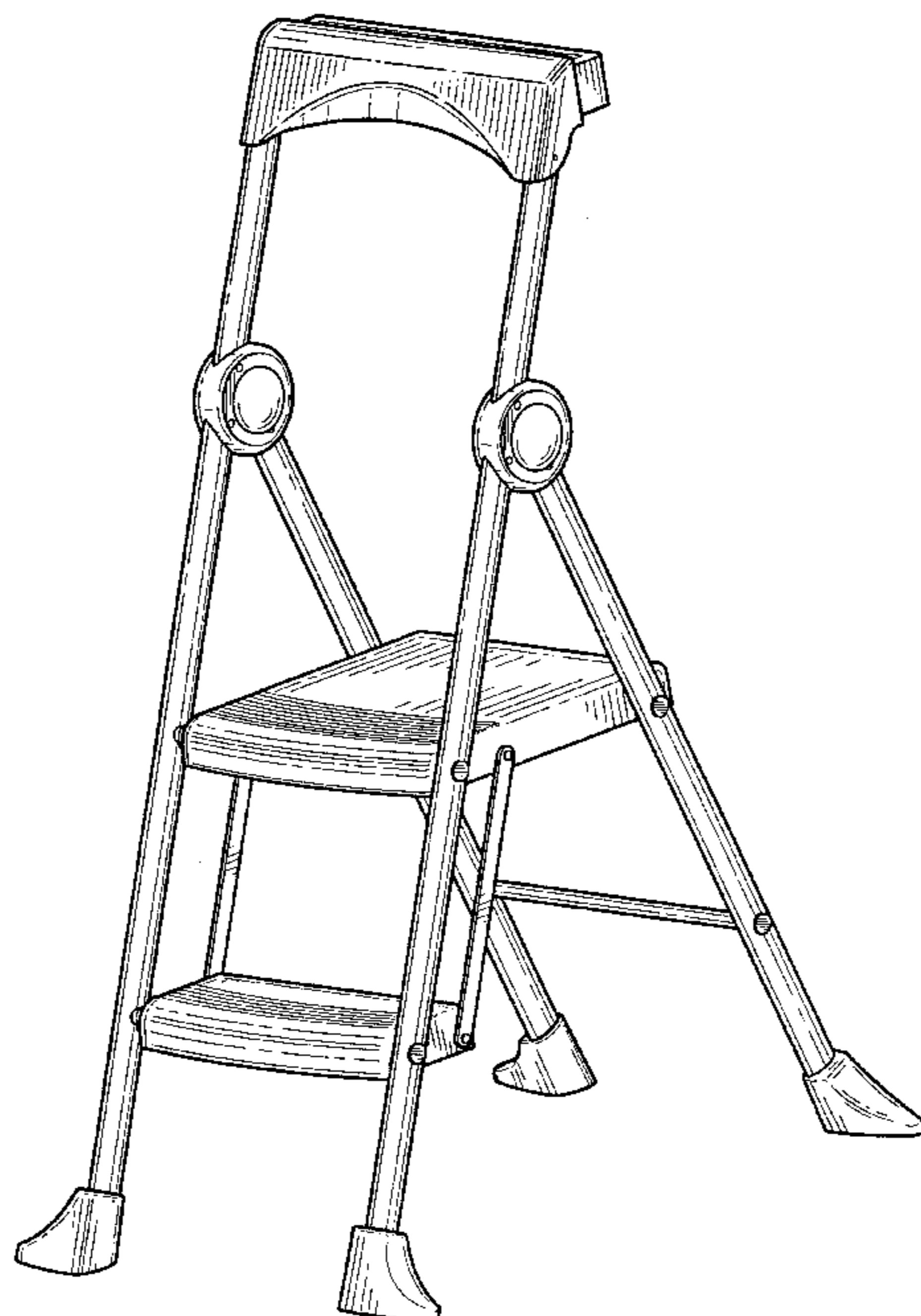
FIG. 11 is a perspective view of a third embodiment of the present invention, the top, left, and rear being substantially consistent with the top, left, and rear of the step ladder of the first embodiment.

D. 236,244	8/1975	Lay	D25/65
4,205,411	6/1980	Cupp et al.	.	
4,276,955	7/1981	Hickman	.	
4,485,892	12/1984	Maloney et al.	.	
4,557,350	12/1985	Wang	182/33
4,653,713	3/1987	Hamilton	.	
4,706,918	11/1987	Wilson	.	
4,730,802	3/1988	Chatham et al.	.	
4,979,590	12/1990	Bailey	.	
5,370,263	12/1994	Brown	.	
5,421,429	6/1995	Evans	.	
5,542,535	8/1996	Dalton	.	
5,542,553	8/1996	Penniman	.	

FOREIGN PATENT DOCUMENTS

2093516	2/1982	United Kingdom	.
2192025	12/1987	United Kingdom	.

1 Claim, 11 Drawing Sheets



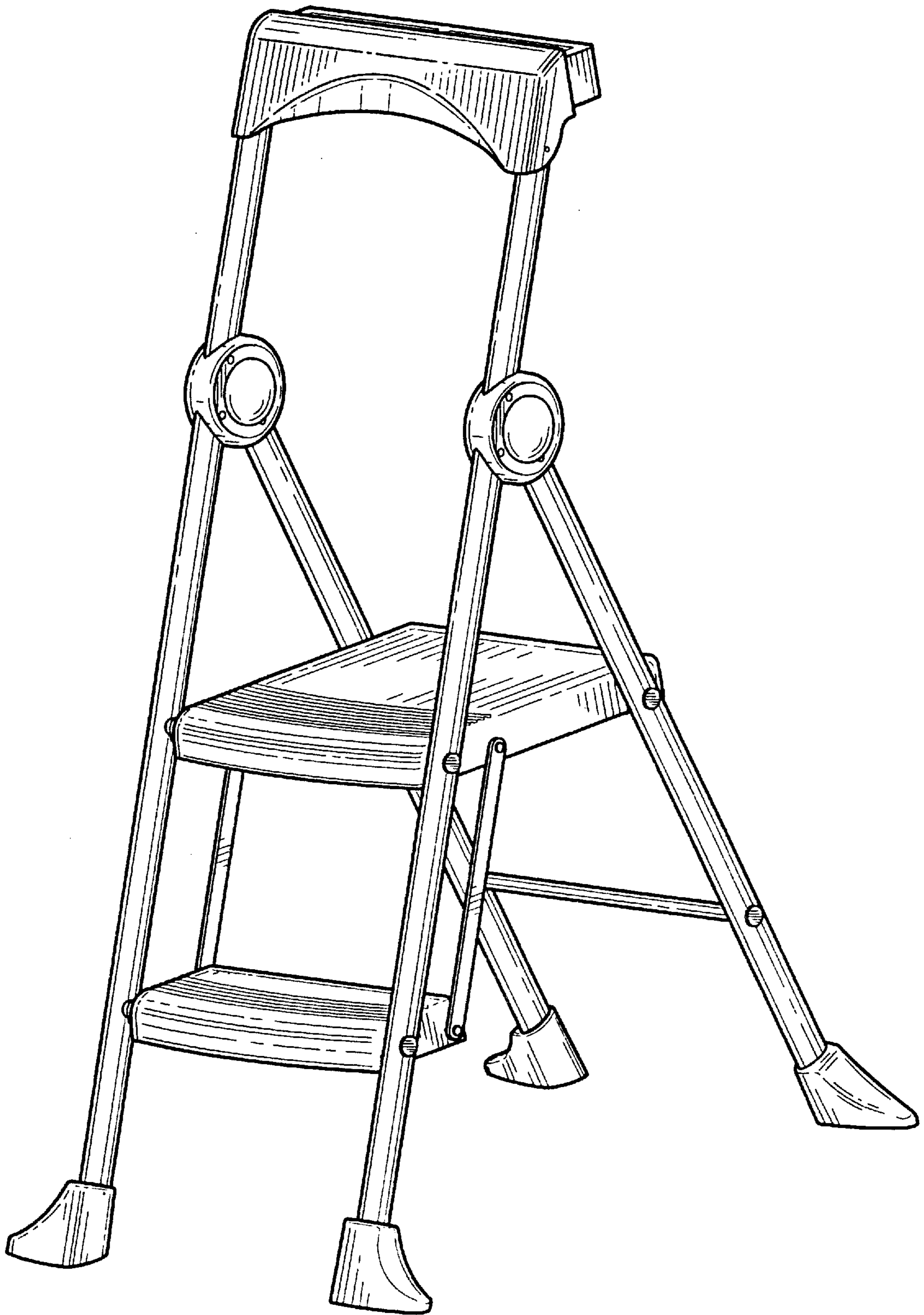


FIG. 1

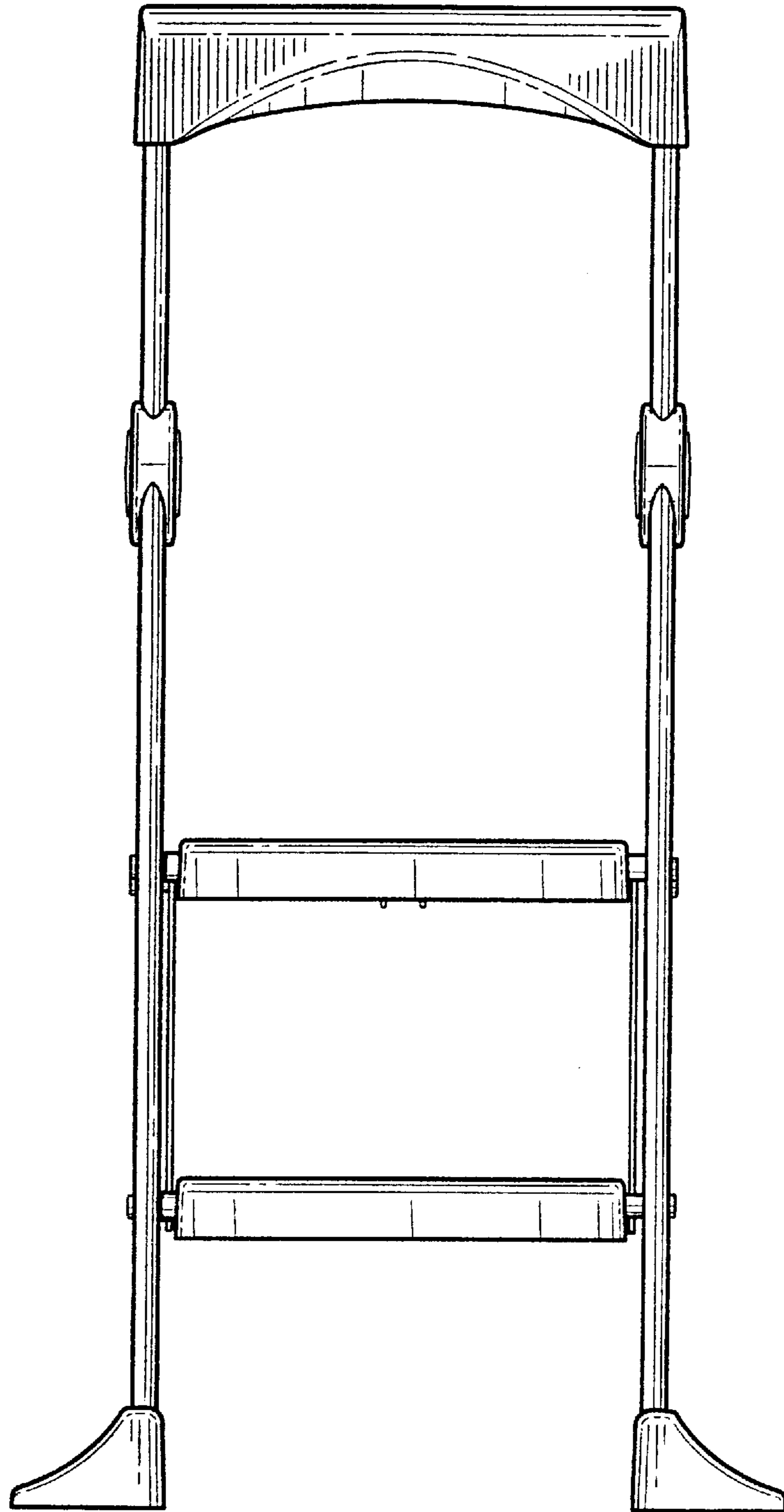


FIG. 2

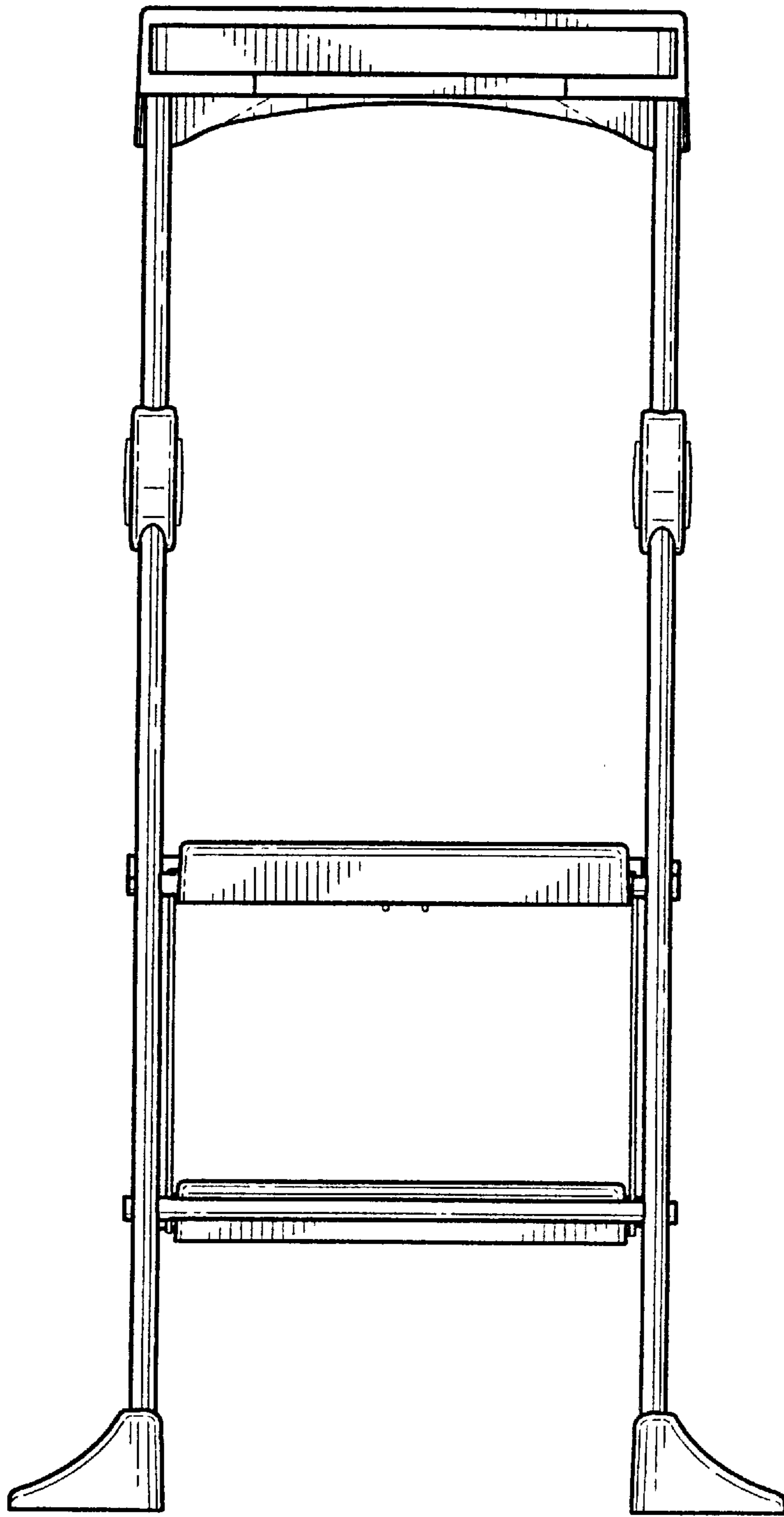


FIG.3

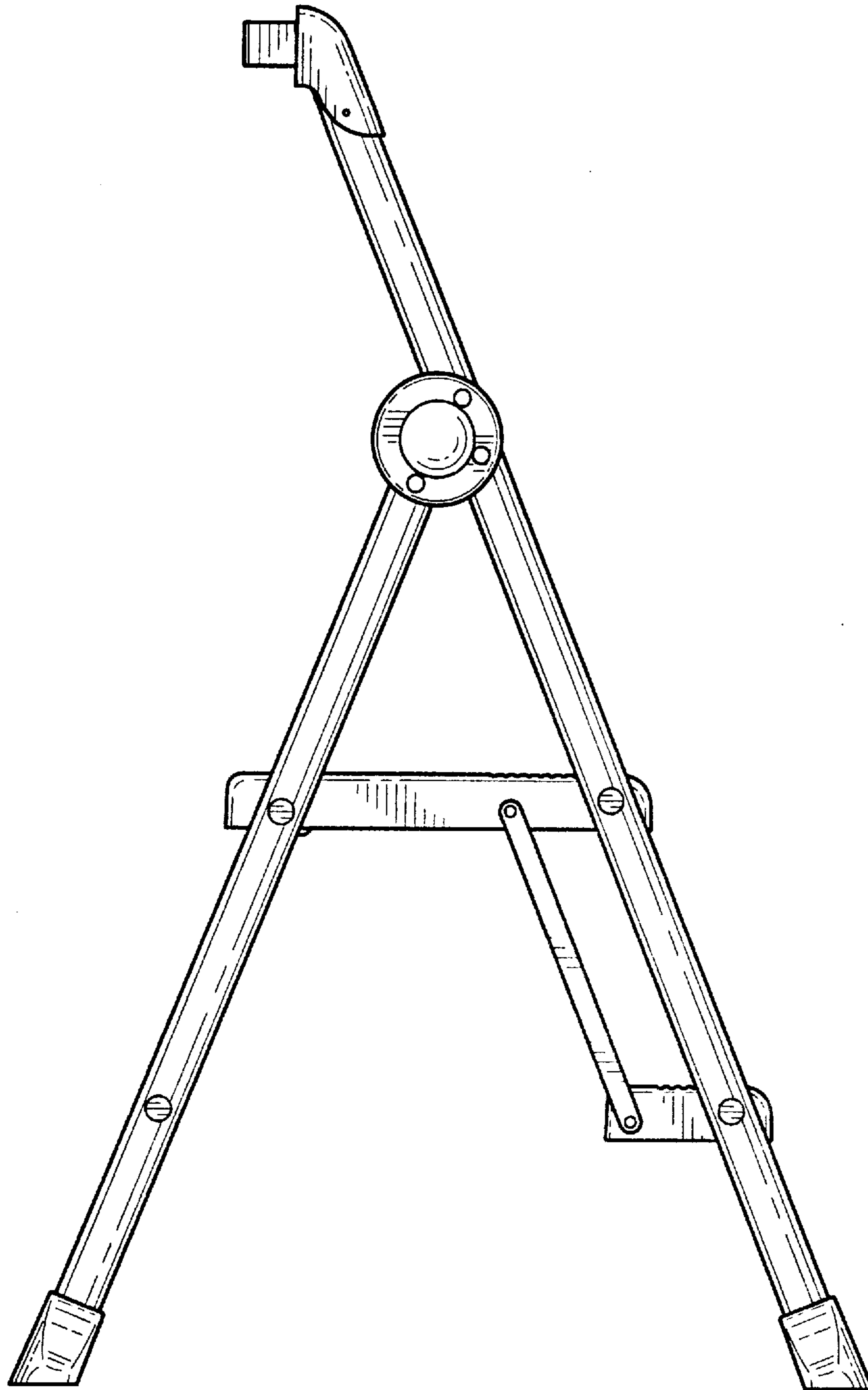


FIG.4

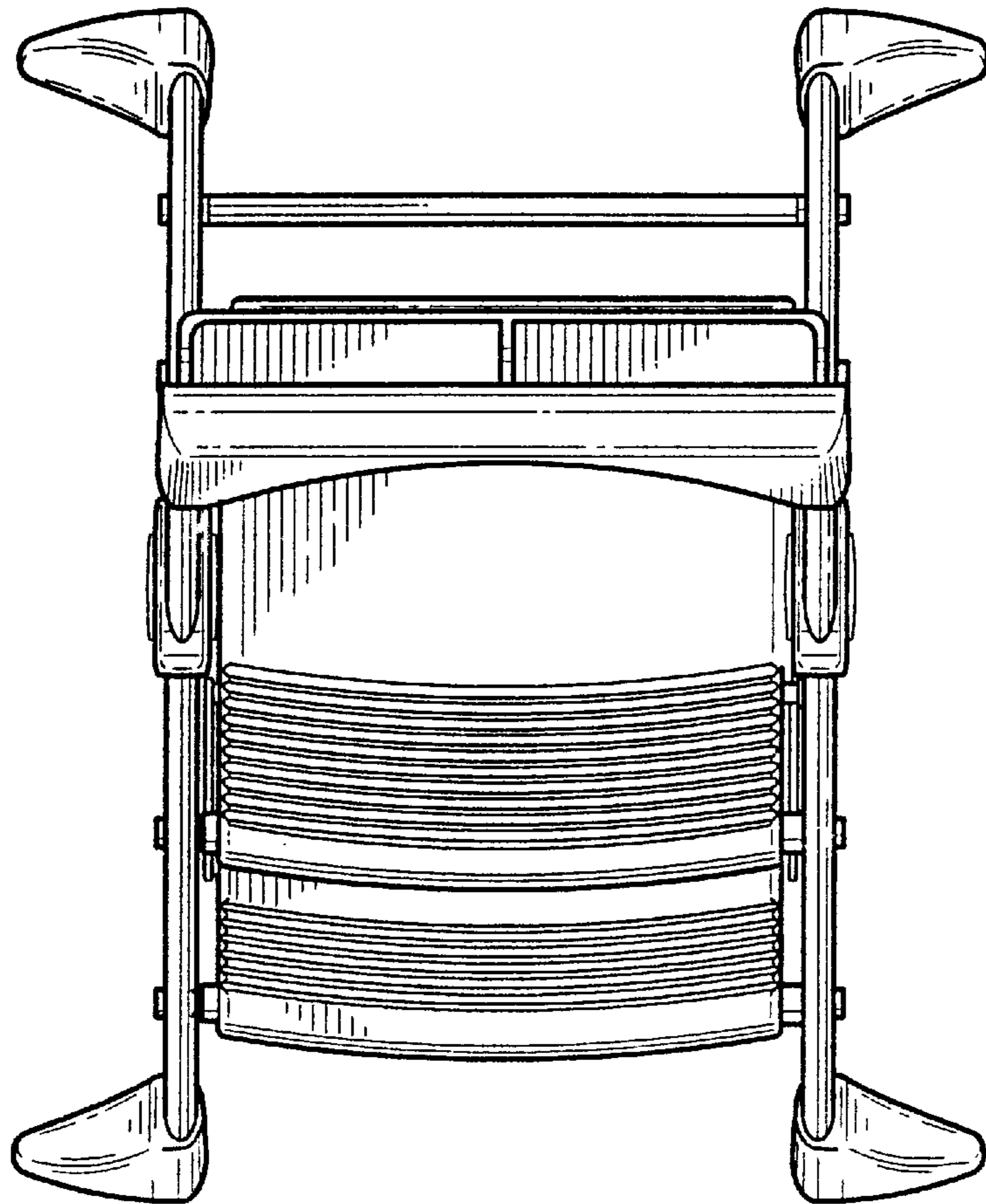


FIG.5

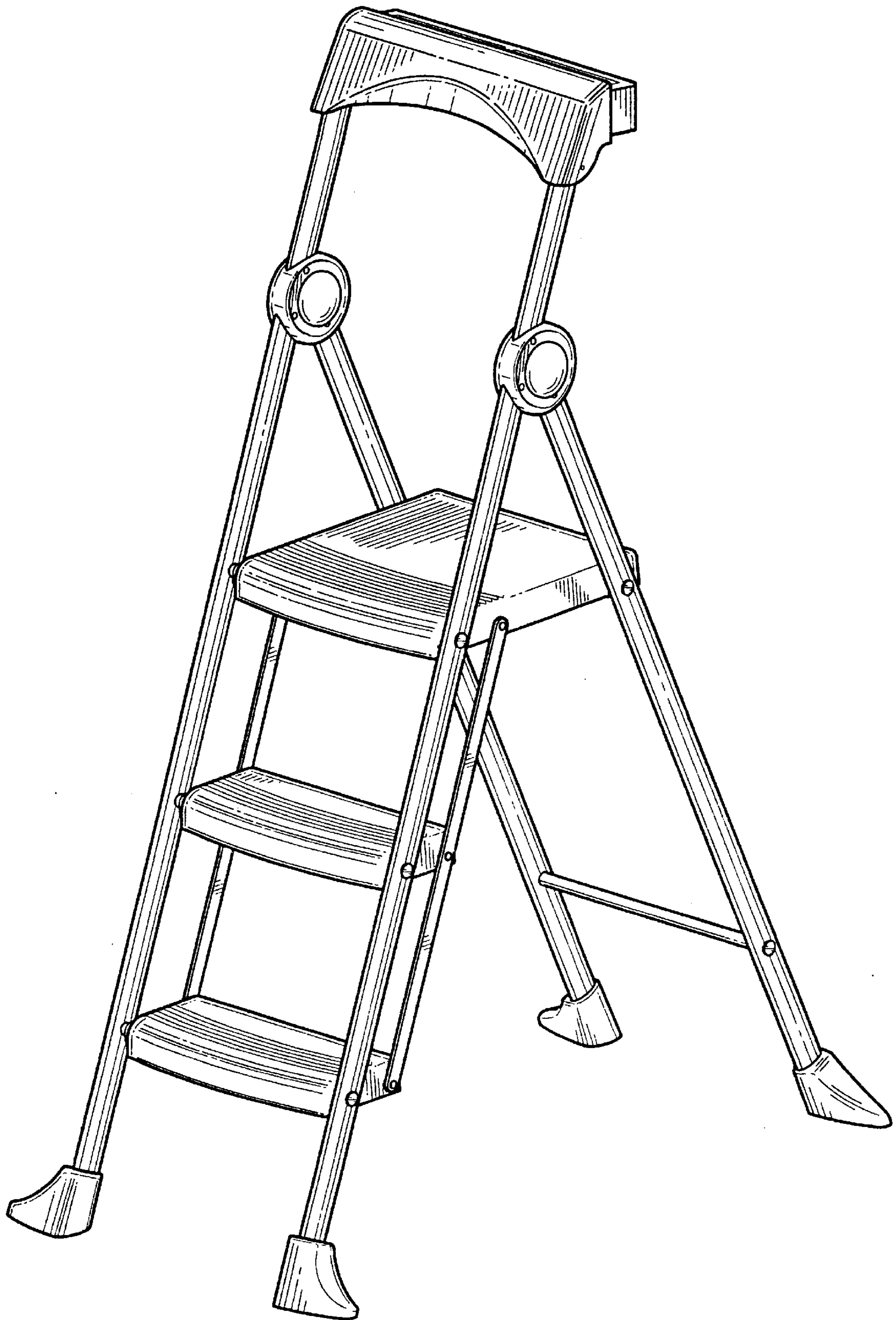


FIG. 6

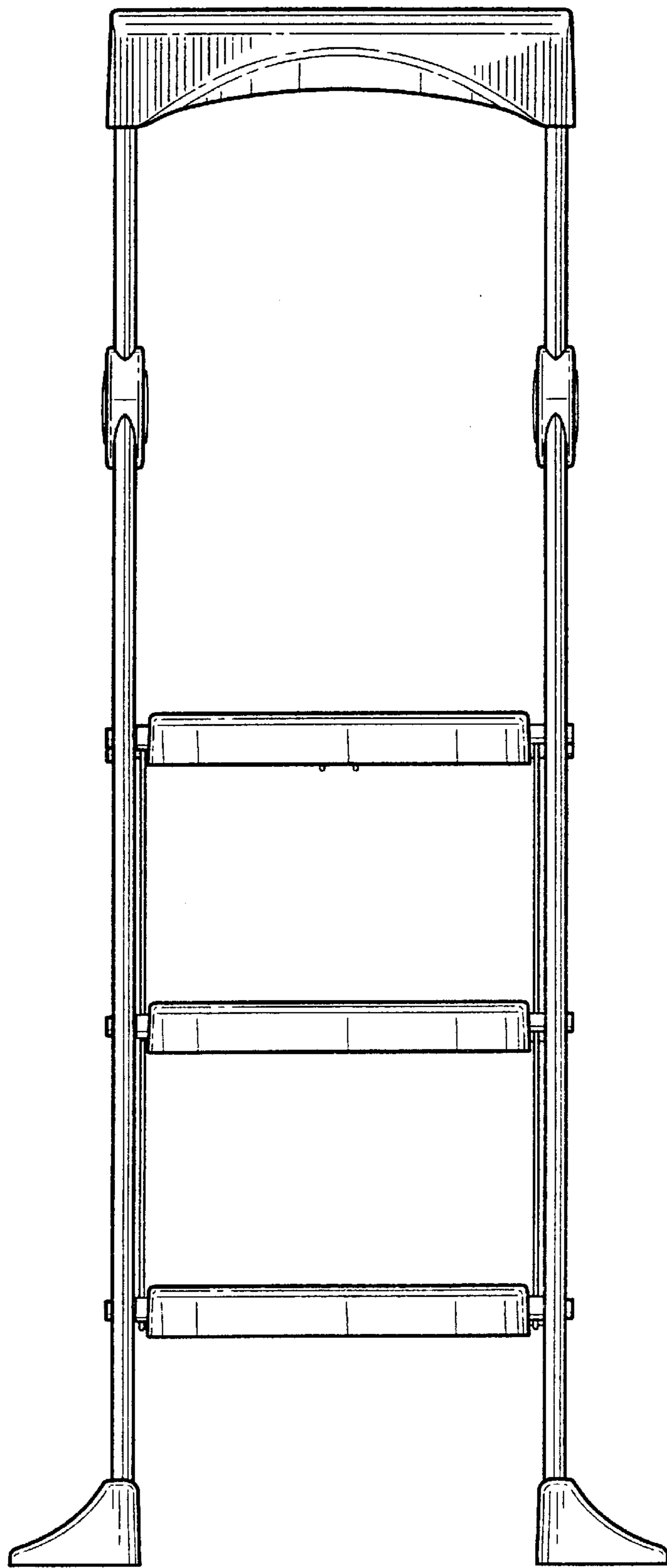


FIG.7

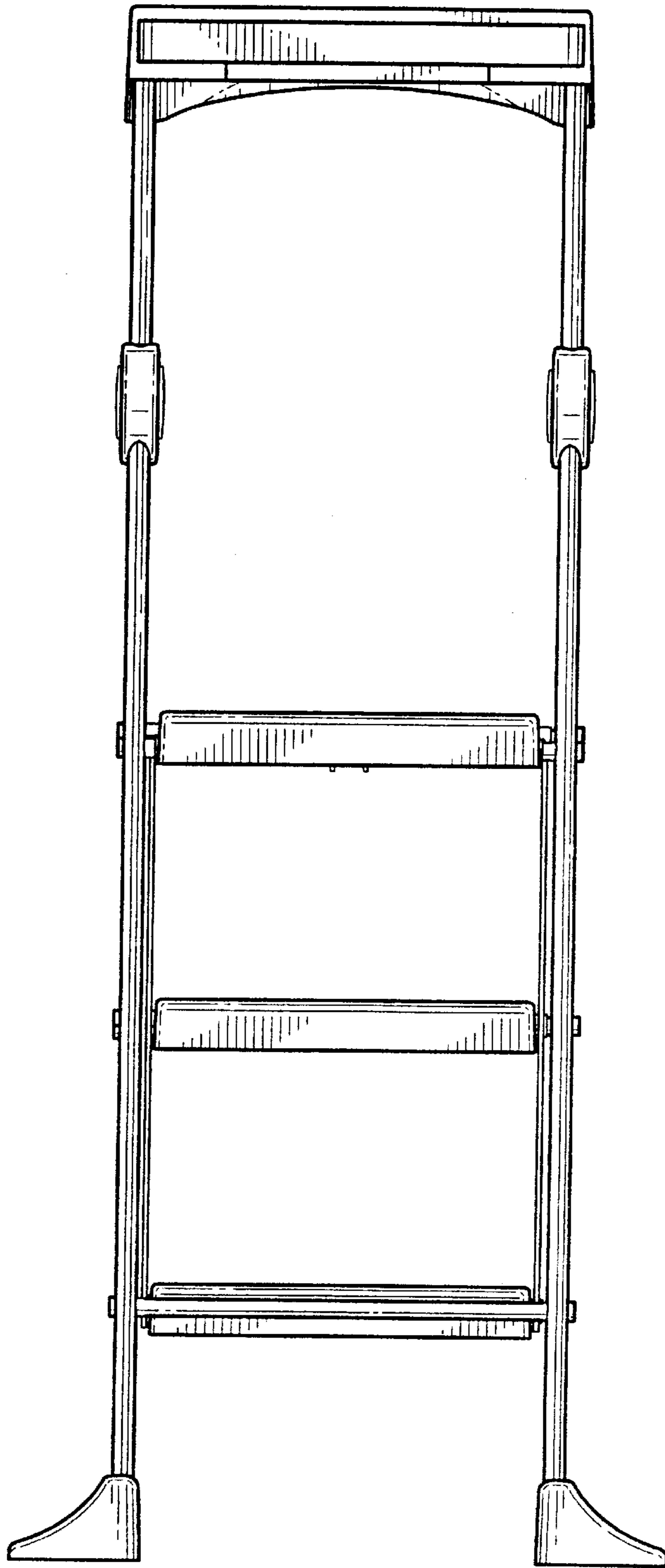


FIG.8

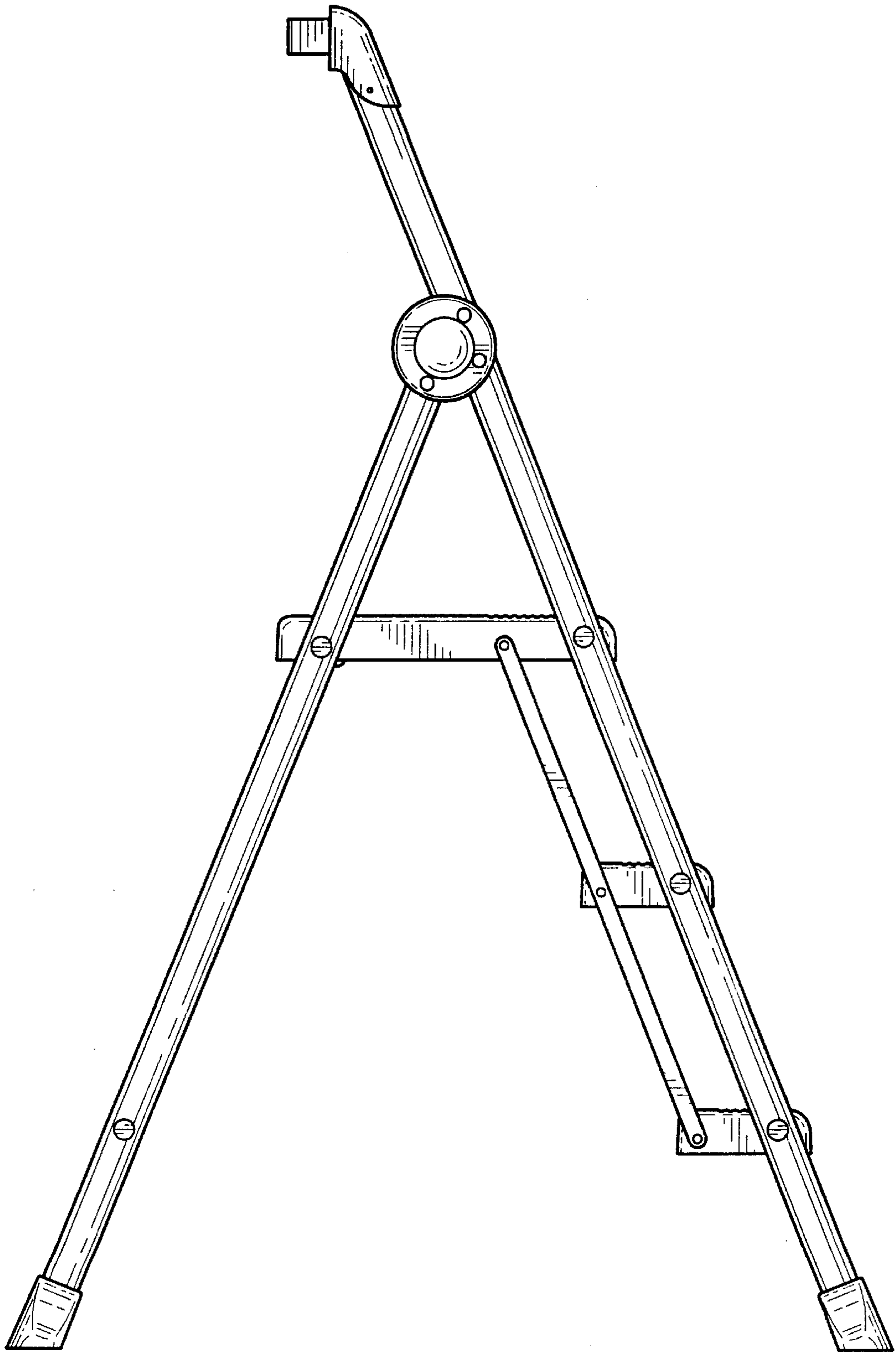


FIG.9

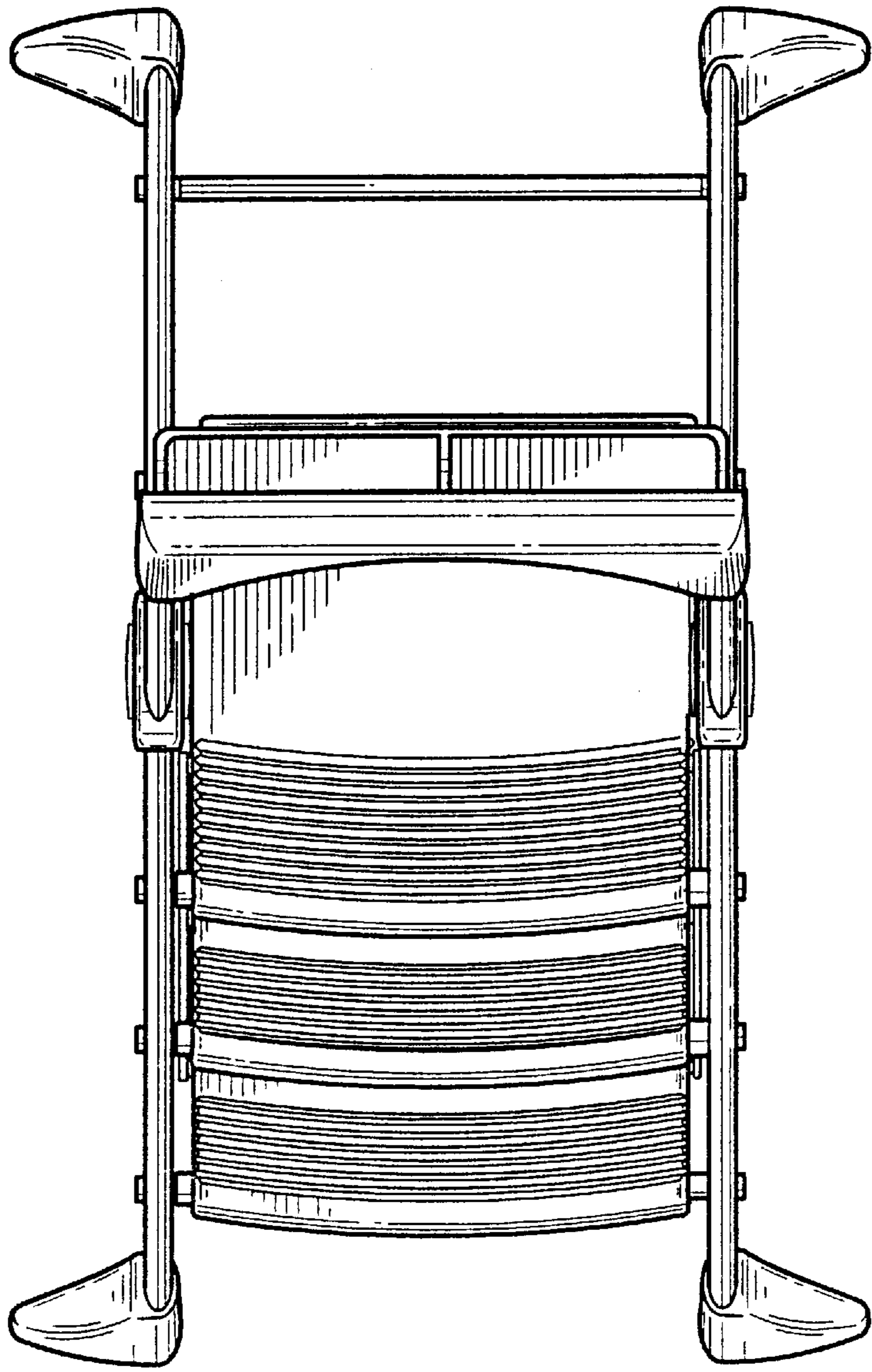


FIG.10

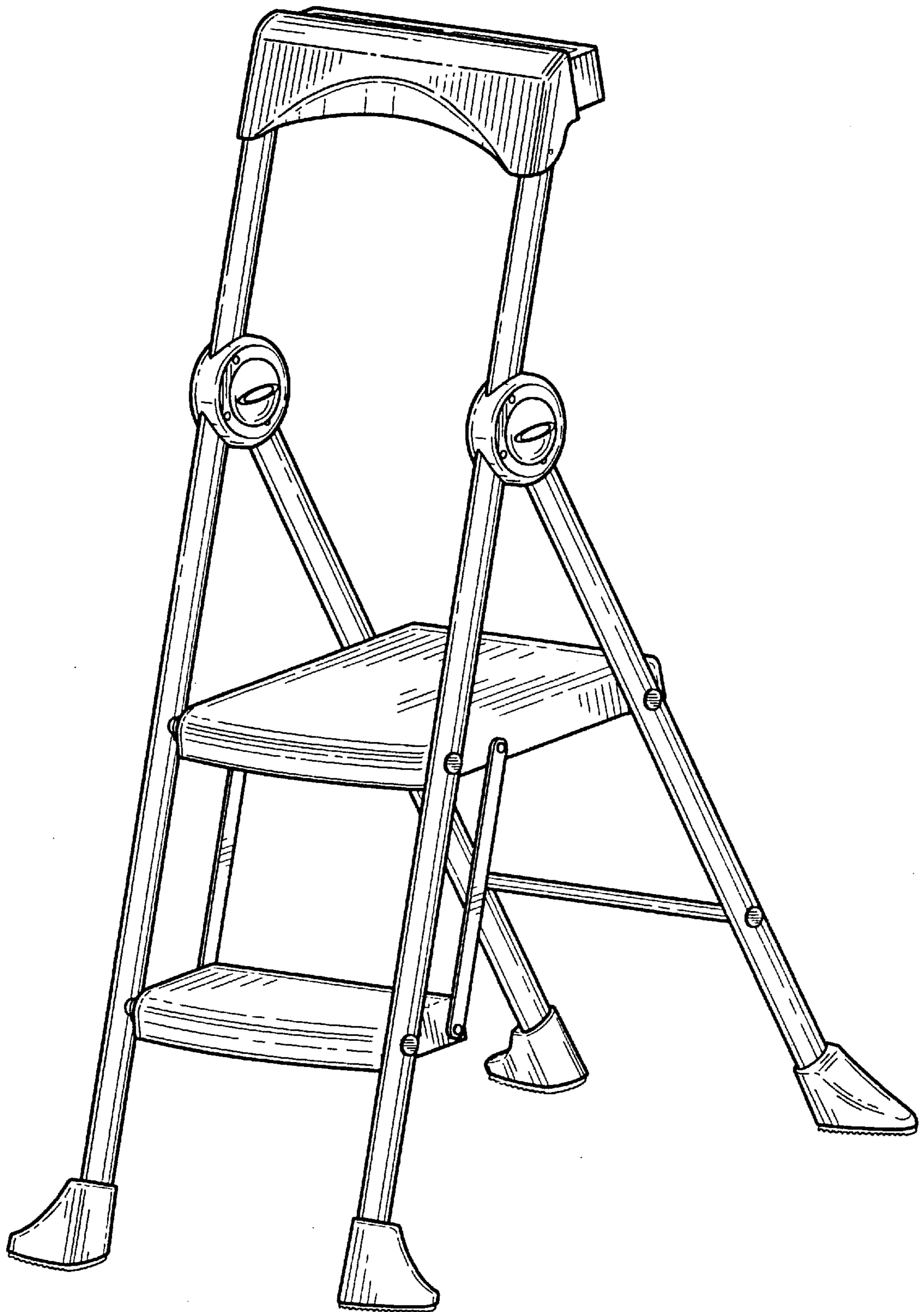


FIG. 11