



US00D401352S

United States Patent [19] Nimmo et al.

[11] **Patent Number: Des. 401,352**
[45] **Date of Patent: **Nov. 17, 1998**

[54] **WALL MODULE**

5,111,628 5/1992 Desjoyaux et al. 52/169.7
5,155,872 10/1992 Aymes .
5,504,949 4/1996 Yagi 4/506

[76] Inventors: **Craig Allan Nimmo**, 26 Maureen Court, Miami Keys, Queensland 4210;
Adrian David Case, 25 Colombard Crescent, Wynn Vale, South Australia 5127, both of Australia

[**] Term: **14 Years**

[21] Appl. No.: **65,260**

[22] Filed: **Jan. 29, 1997**

[30] Foreign Application Priority Data

Nov. 19, 1996 [AU] Australia 3976/96

[51] **LOC (6) Cl.** **25-02**

[52] **U.S. Cl.** **D25/58**

[58] **Field of Search** D25/2, 58, 138;
52/169.7, 169.9; 4/506, 488

[56] References Cited

U.S. PATENT DOCUMENTS

D. 372,107 7/1996 Dunlap et al. D25/58
3,648,303 3/1972 Stewart et al. .
3,818,658 6/1974 Slaven D25/58
3,959,830 6/1976 Van Den Broek .
4,047,340 9/1977 Witte et al. .
4,635,304 1/1987 Zikmanis et al. 4/506

FOREIGN PATENT DOCUMENTS

70097/74 12/1975 Australia .
2376276 7/1978 France .
2565615 12/1985 France .
2573116 5/1986 France .
2718779 10/1995 France .
1919582 7/1970 Germany .
2251450 7/1992 United Kingdom .

Primary Examiner—Doris Clark
Attorney, Agent, or Firm—Helfgott & Karas, PC.

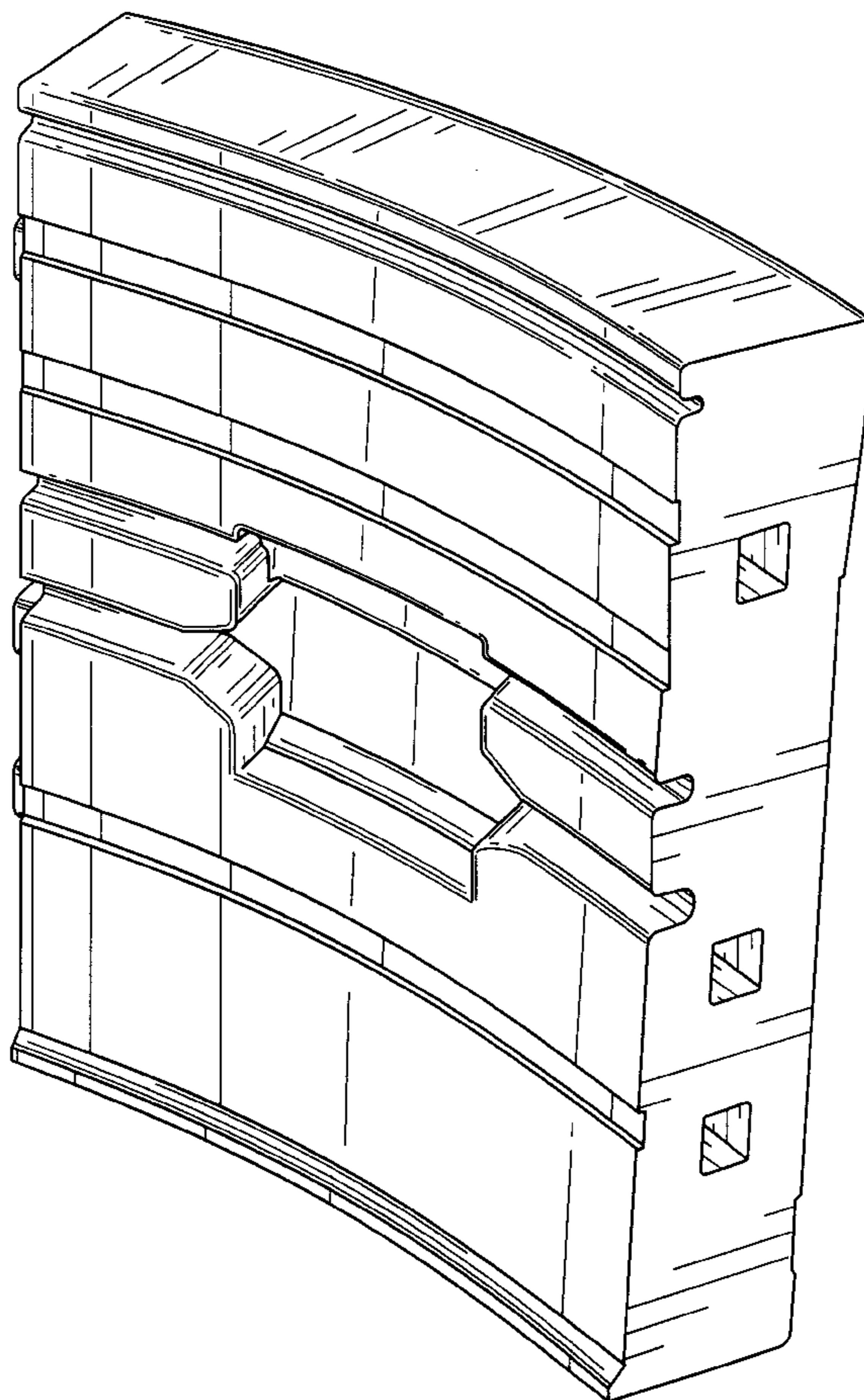
[57] CLAIM

The ornamental design for a wall module, as shown and described.

DESCRIPTION

FIG. 1 is a front perspective view of the wall module from above; according to our new design;
FIG. 2 is a front perspective view of the wall module from below;
FIG. 3 is a rear perspective view of the wall module from above; and,
FIG. 4 is a rear perspective view of the wall module from below.

1 Claim, 4 Drawing Sheets



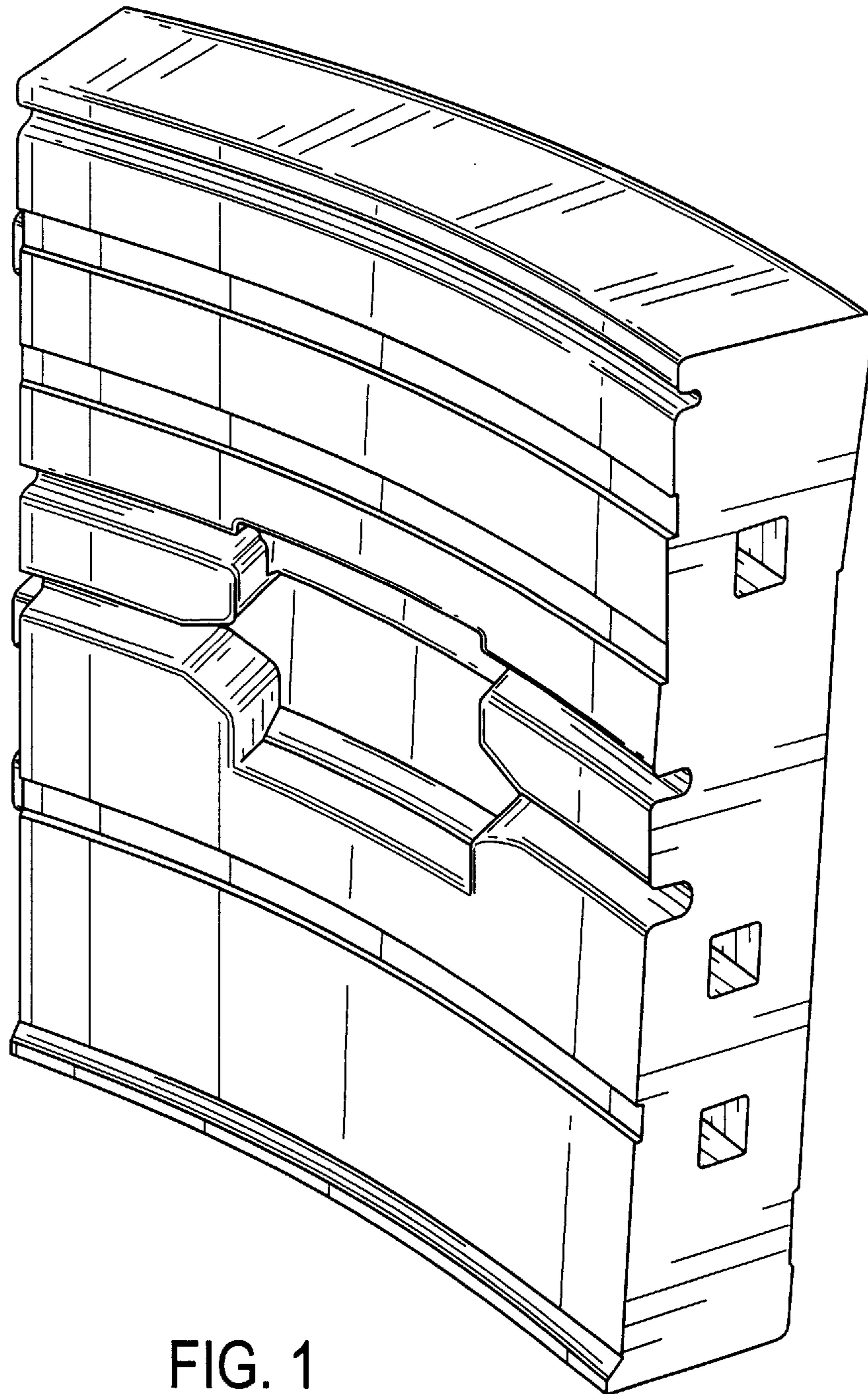


FIG. 1

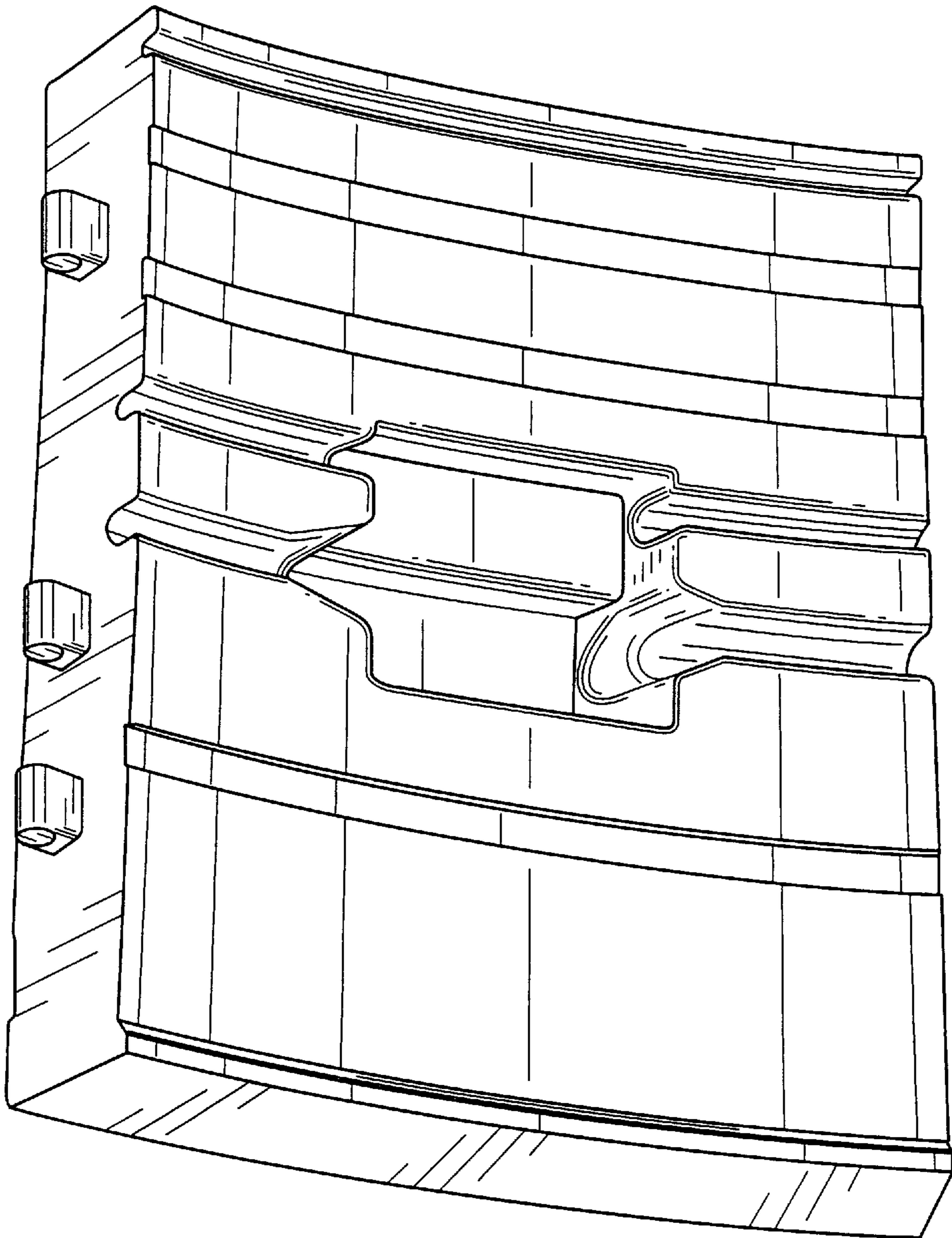


FIG. 2

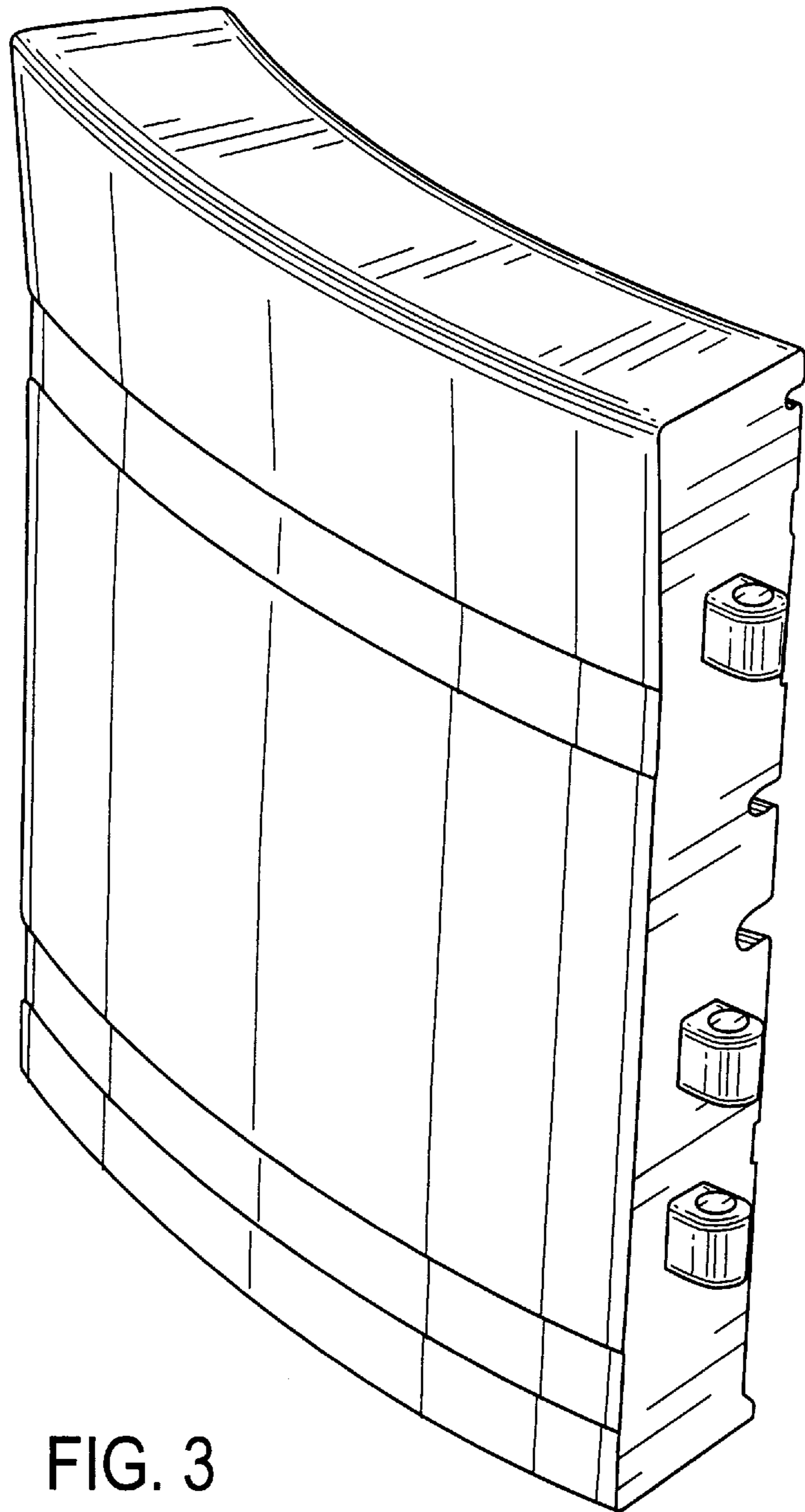


FIG. 3

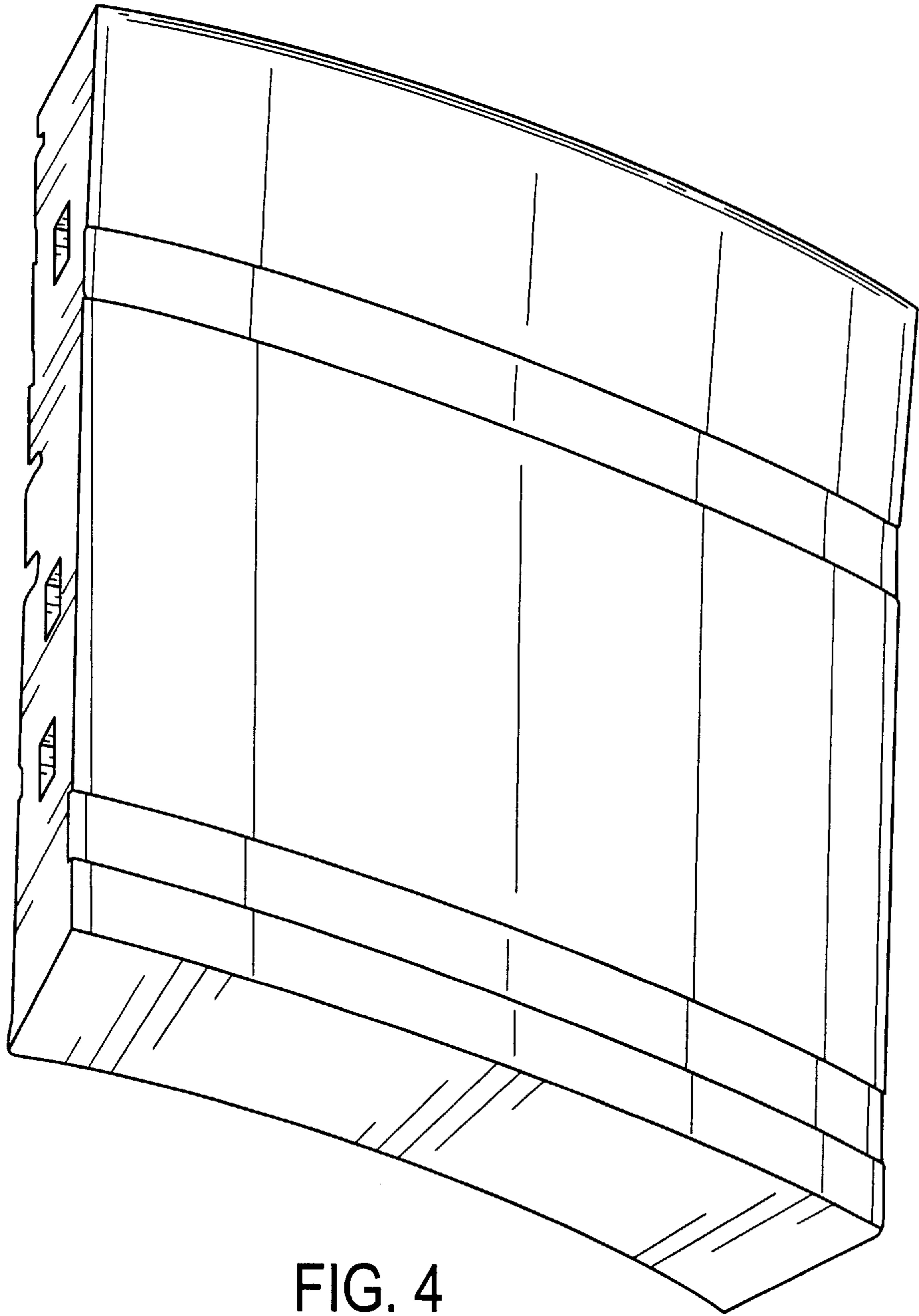


FIG. 4