



US00D401344S

United States Patent [19] Bonds

[11] **Patent Number: Des. 401,344**

[45] **Date of Patent: **Nov. 17, 1998**

[54] **COLLAPSIBLE BOTTLE**

5,632,397 5/1997 Fandoux et al. 215/382

[76] Inventor: **Crystal C. Bonds**, 150-34 119th Rd.,
Jamaica, N.Y. 11434

Primary Examiner—Stella Reid

[**] Term: **14 Years**

[57] **CLAIM**

The ornamental design for a collapsible bottle, as shown and described.

[21] Appl. No.: **74,054**

[22] Filed: **Jul. 23, 1997**

DESCRIPTION

[51] **LOC (6) Cl.** **07-01**

FIG. 1 is a front elevational view of the collapsible bottle showing my new design;

[52] **U.S. Cl.** **D24/197**

FIG. 2 is a rear elevational view thereof;

[58] **Field of Search** D24/197; 215/11.3,
215/11.1, 384, 382, 900; D9/556, 559,
569, 301; D7/512

FIG. 3 is a right side view thereof;

FIG. 4 is a left side view thereof;

FIG. 5 is a top plan view thereof;

FIG. 6 is a bottom plan view thereof;

[56] **References Cited**

U.S. PATENT DOCUMENTS

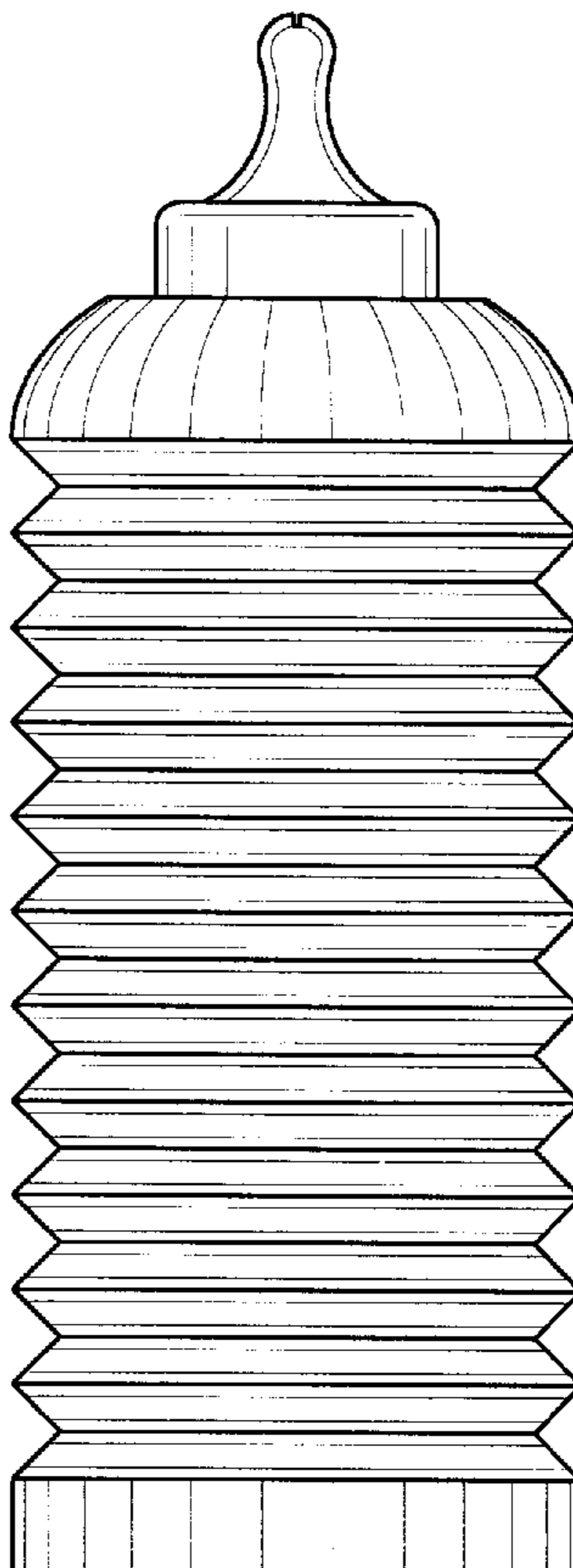
D. 370,388	6/1996	Cusick et al.	D7/512
2,780,378	2/1957	Romano	215/11.1
3,143,429	8/1964	Swanson et al.	215/11.3 X
4,759,453	7/1988	Paetzold	215/11.1
5,209,372	5/1993	Norwood	215/11.3 X

FIG. 7 is a front elevational view shown in a partially collapsed orientation;

FIG. 8 is a front elevational view shown in a completely collapsed orientation; and,

FIG. 9 is a front elevational view shown in a partially collapsed and flexed orientation.

1 Claim, 5 Drawing Sheets



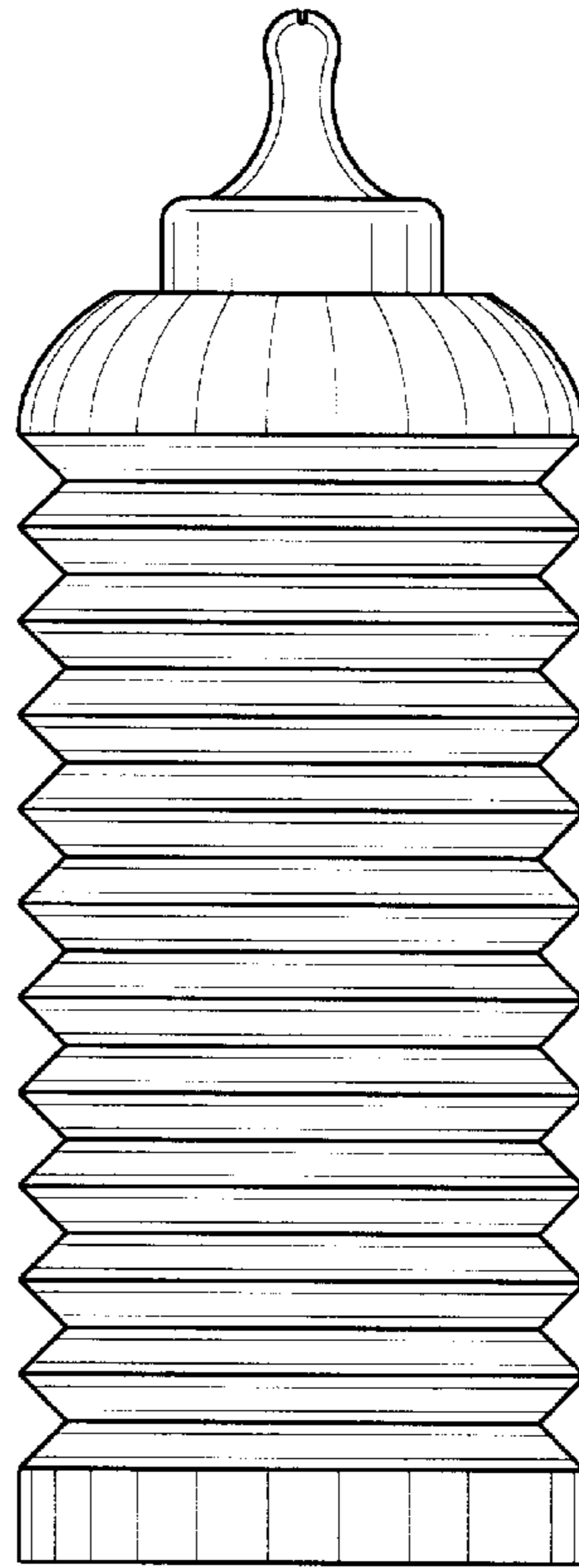


Fig. 1

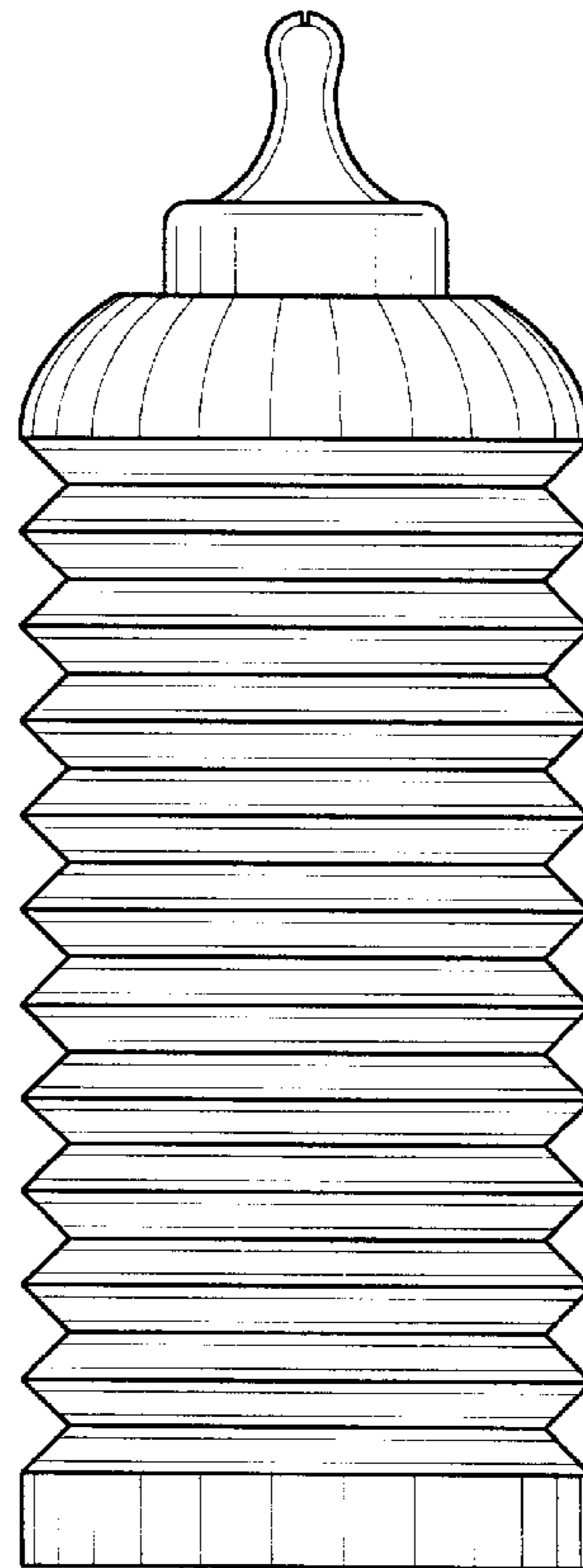


Fig. 2

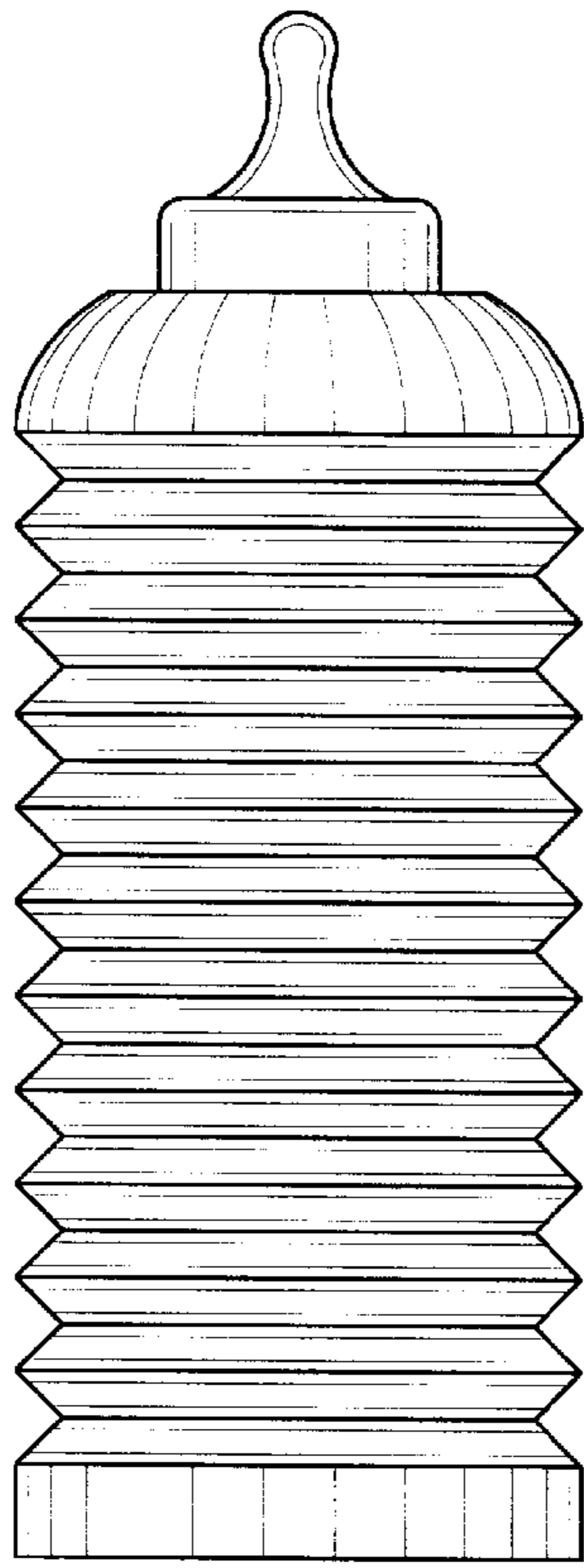


Fig. 3

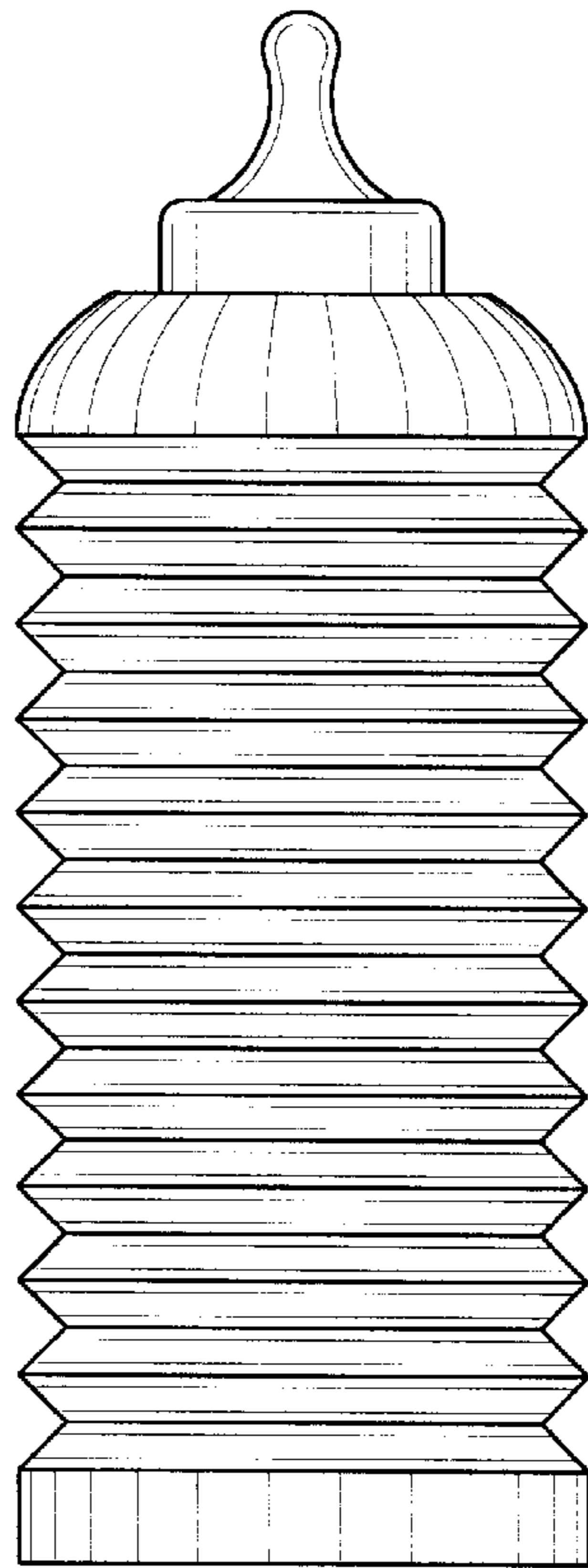


Fig. 4

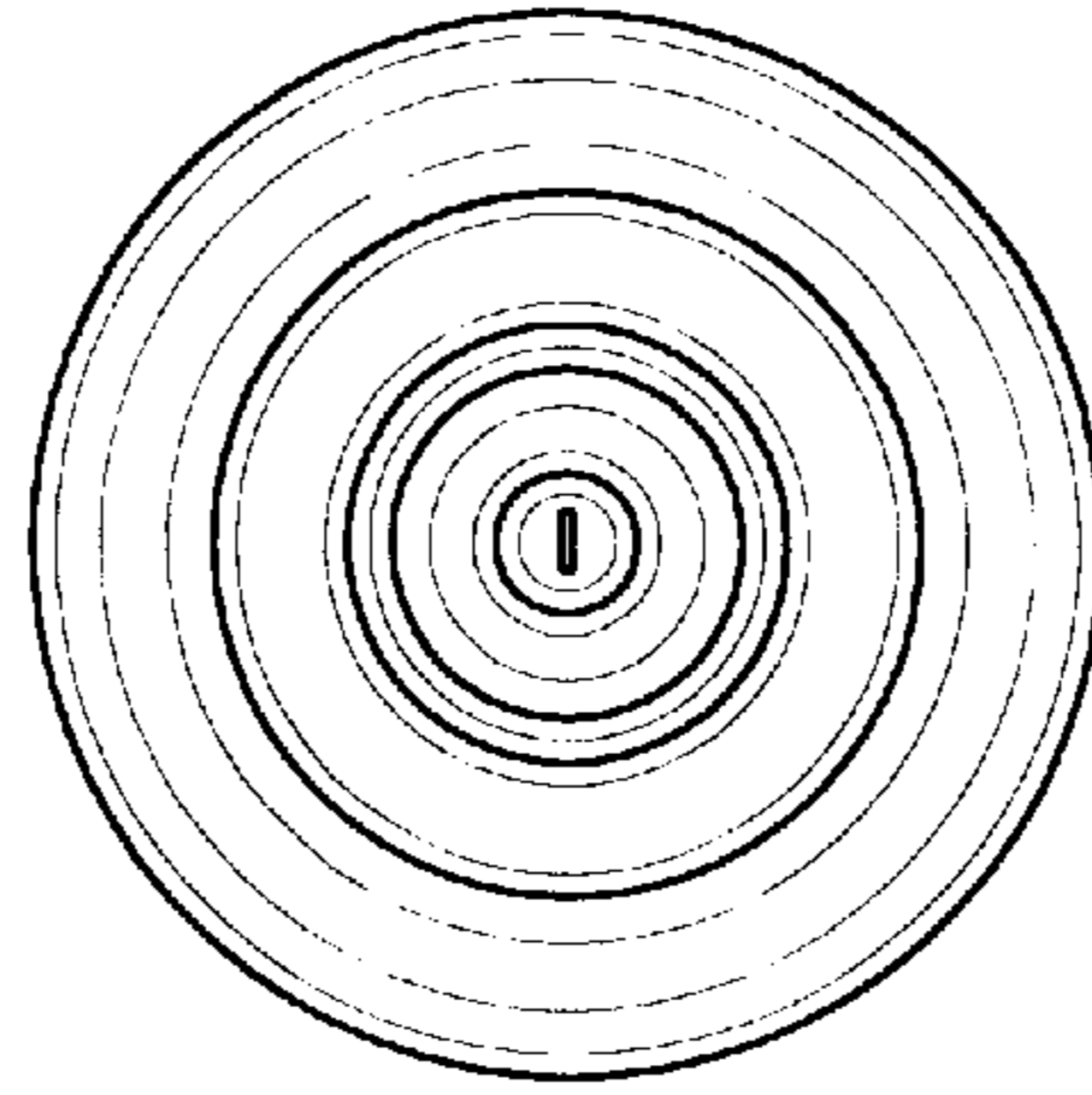


Fig. 5

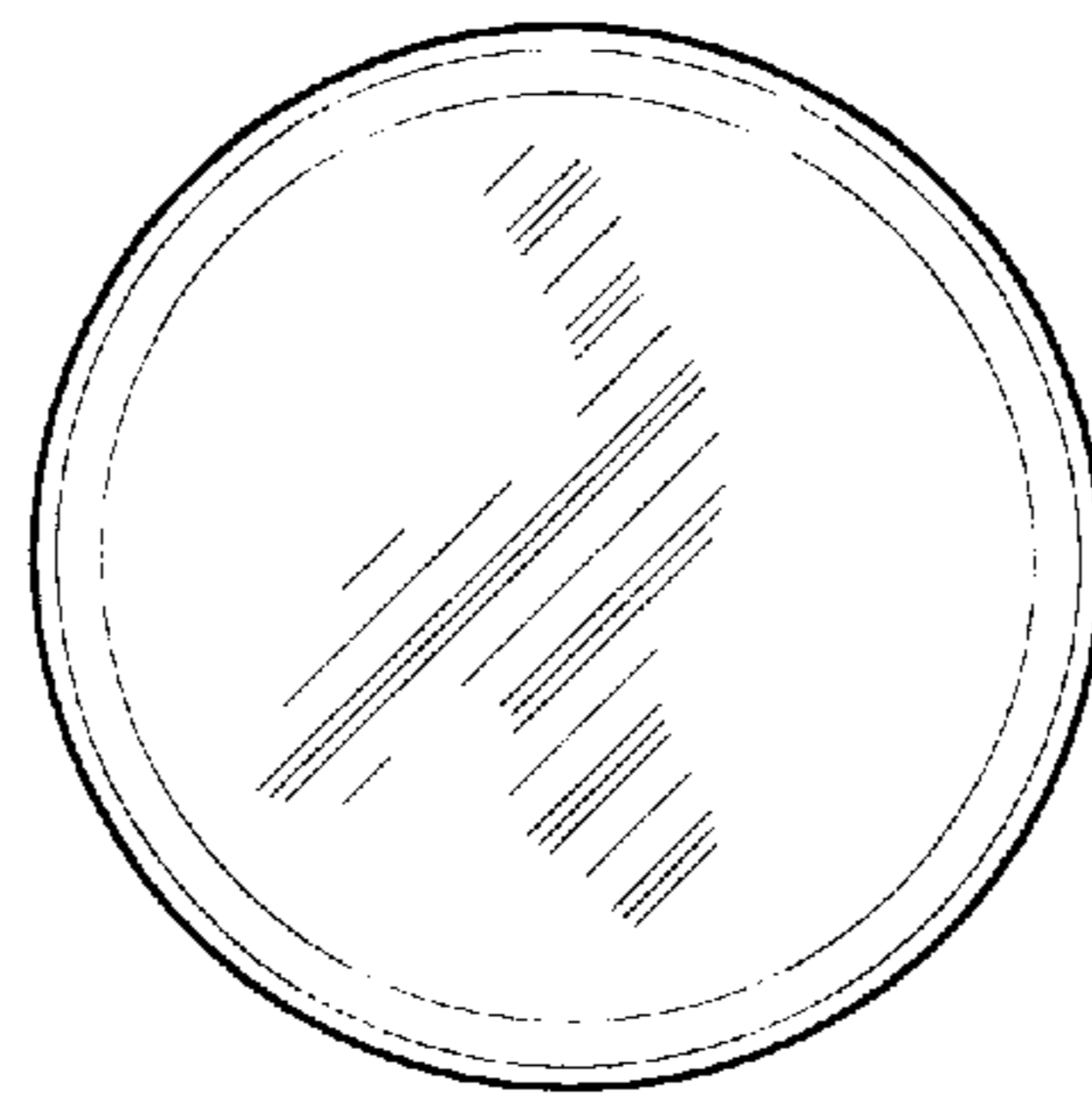


Fig. 6

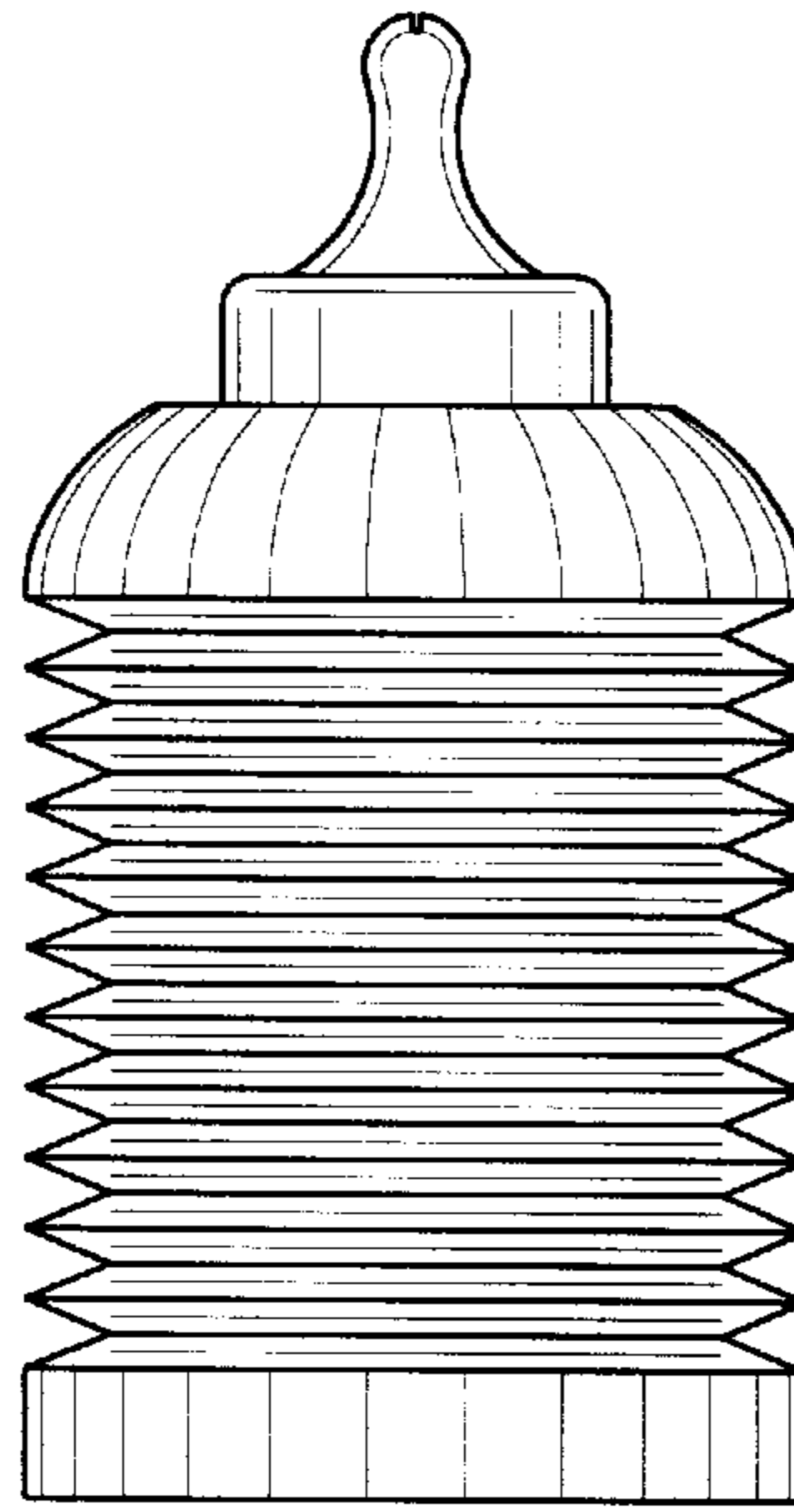


Fig. 7

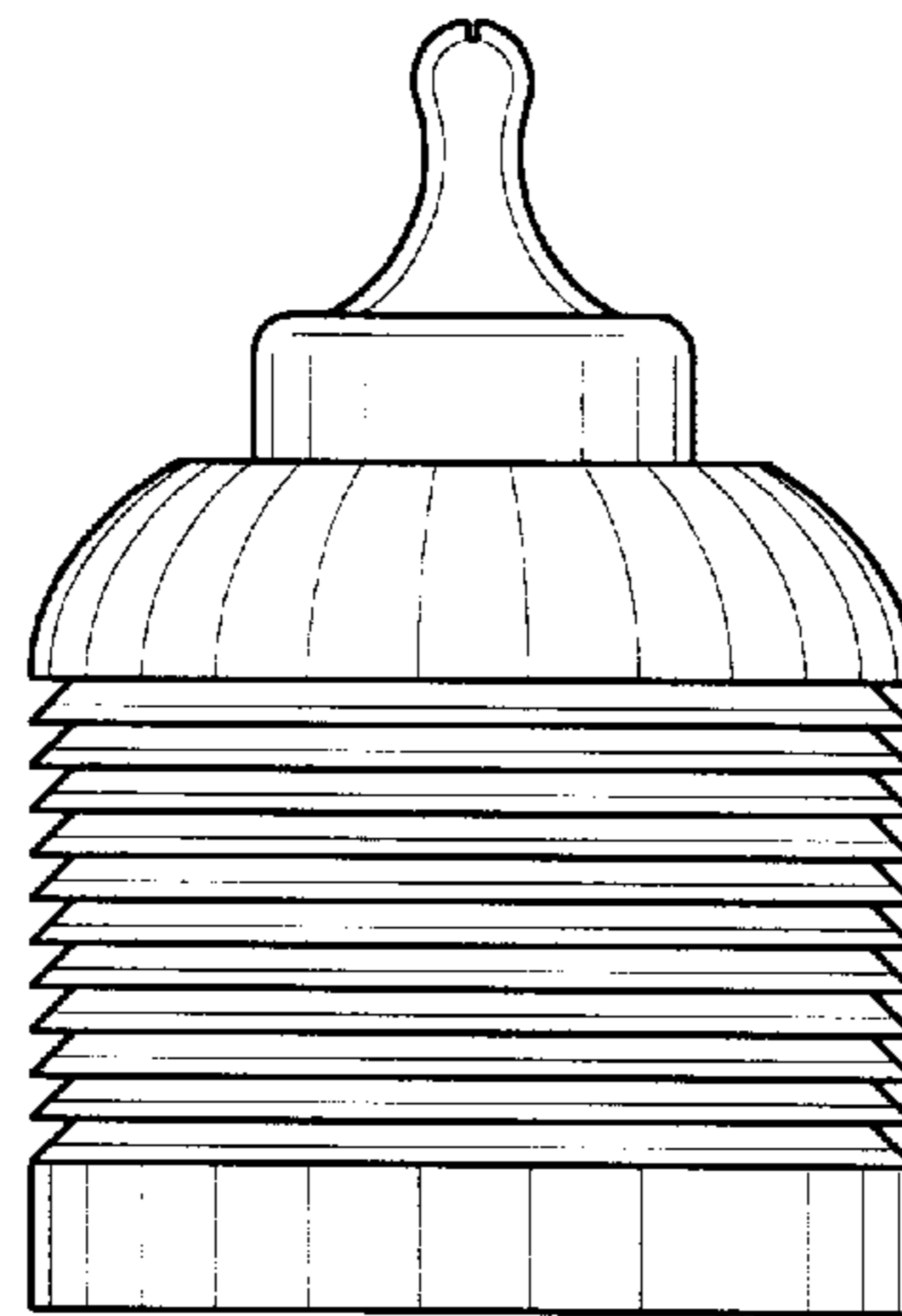


Fig. 8

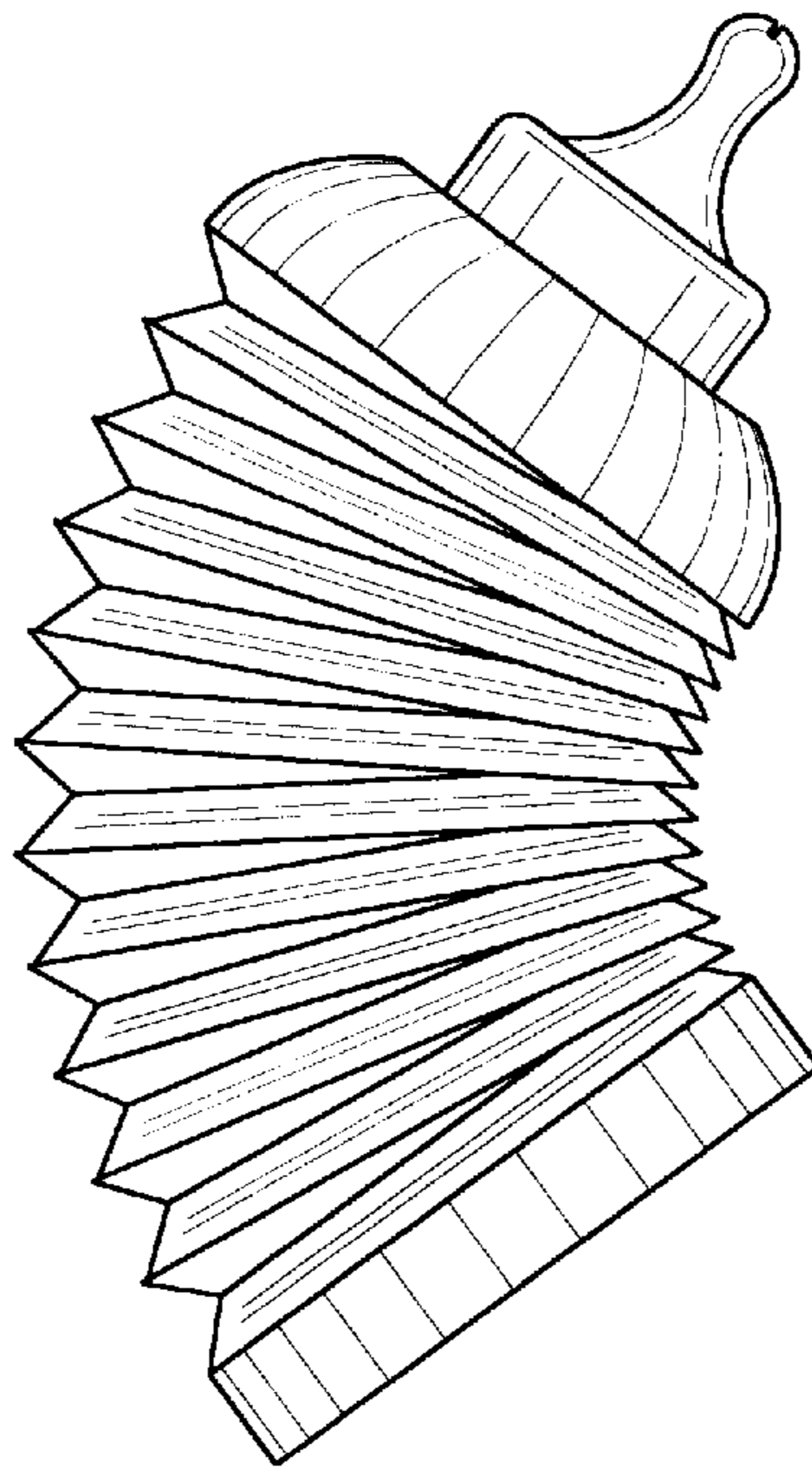


Fig. 9