



US00D401342S

# United States Patent [19] Allen

[11] **Patent Number: Des. 401,342**

[45] **Date of Patent: \*\*Nov. 17, 1998**

## [54] **HYPERBARIC THERAPY UNIT**

[75] **Inventor: Michael W. Allen**, Torphins, Scotland

[73] **Assignee: Hyox Systems Limited**, Westhill, Scotland

[\*\*] **Term: 14 Years**

[21] **Appl. No.: 42,767**

[22] **Filed: Aug. 17, 1995**

### [30] **Foreign Application Priority Data**

Feb. 28, 1995 [GB] United Kingdom ..... 2045744

[51] **LOC (6) Cl. .... 24-01**

[52] **U.S. Cl. .... D24/164**

[58] **Field of Search ..... D24/164; 128/202.12, 128/205.26, 204.18, 200.24**

### [56] **References Cited**

#### U.S. PATENT DOCUMENTS

D. 346,864	5/1994	Reneau	.....	D24/164
4,467,798	8/1984	Saxon et al.	.....	128/202.12 X
5,060,644	10/1991	Loori	.....	128/205.26 X
5,327,904	7/1994	Hannum	.....	128/202.12 X

#### FOREIGN PATENT DOCUMENTS

1019986	5/1984	United Kingdom .
2046388	3/1995	United Kingdom .

## OTHER PUBLICATIONS

Sechrist Industries, Inc., 2820 Gretta Lane, Anaheim, California 92806, Model 2500B—data sheet. Date of reference unknown.

Environment Tectomics Corp., Country Line Industrial Park, Southampton, PA 18966. Model—Bara Med—Data sheet. Date of reference unknown.

Perry Baromedical Services, 275 W. 10th Street, Riviera Beach, FL. 33404. Model—Sigma II—Data sheet of Sigma II. Date of reference unknown.

*Primary Examiner*—Stella Reid

*Attorney, Agent, or Firm*—John F. A. Earley; John F. A. Earley, III; Harding, Earley, Follmer & Frailey

### [57] **CLAIM**

The ornamental design for a hyperbaric therapy unit, as shown.

## DESCRIPTION

FIG. 1 is a front perspective view of a hyperbaric therapy unit embodying the new design;

FIG. 2 is a view of one side of the hyperbaric therapy unit shown in FIG. 1; and

FIG. 3 is a rear view of the hyperbaric therapy unit shown in FIG. 1; and,

FIG. 4 is a front elevational view of the hyperbaric therapy unit shown in FIG. 1.

**1 Claim, 2 Drawing Sheets**

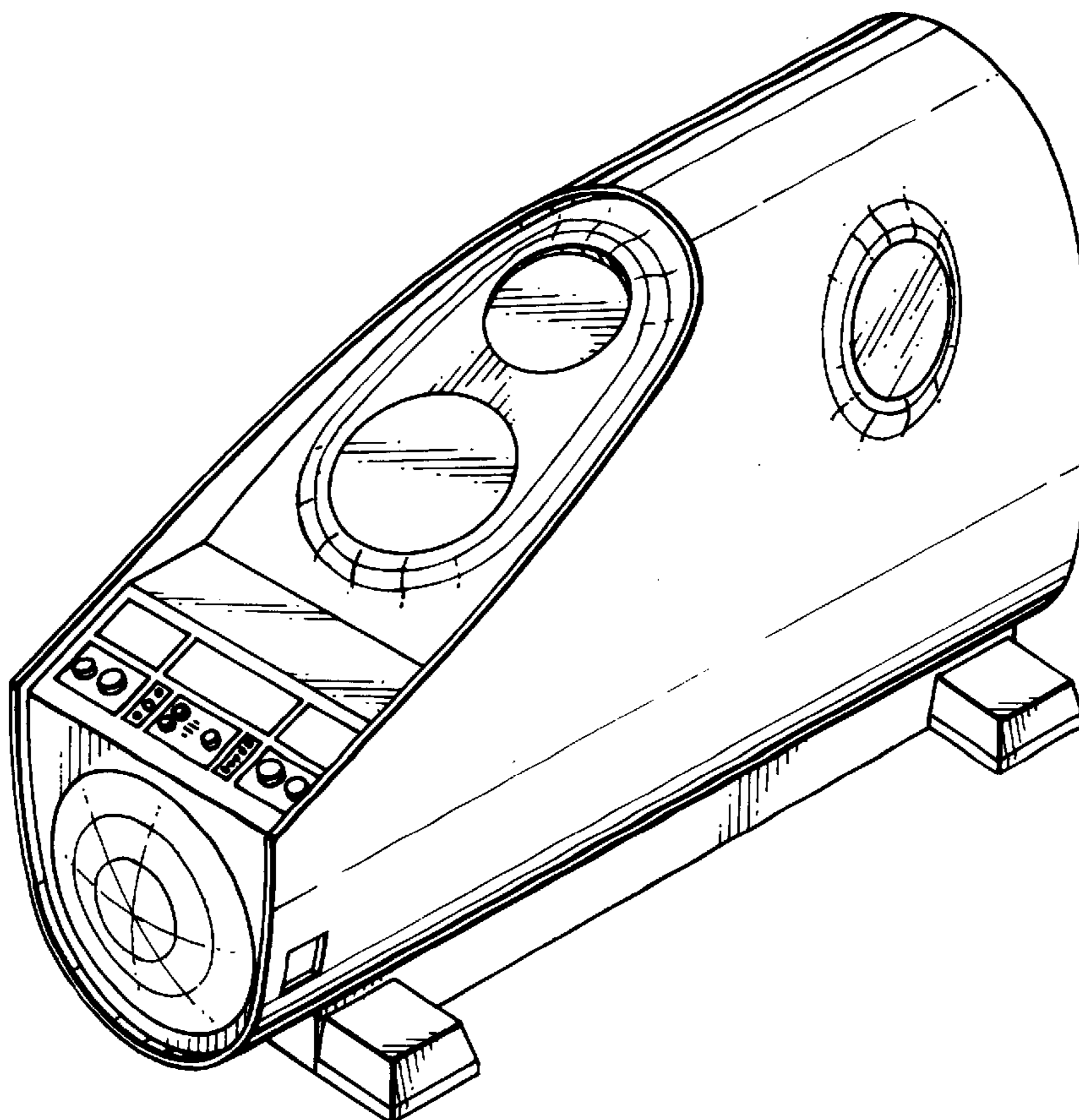


Fig. 1.

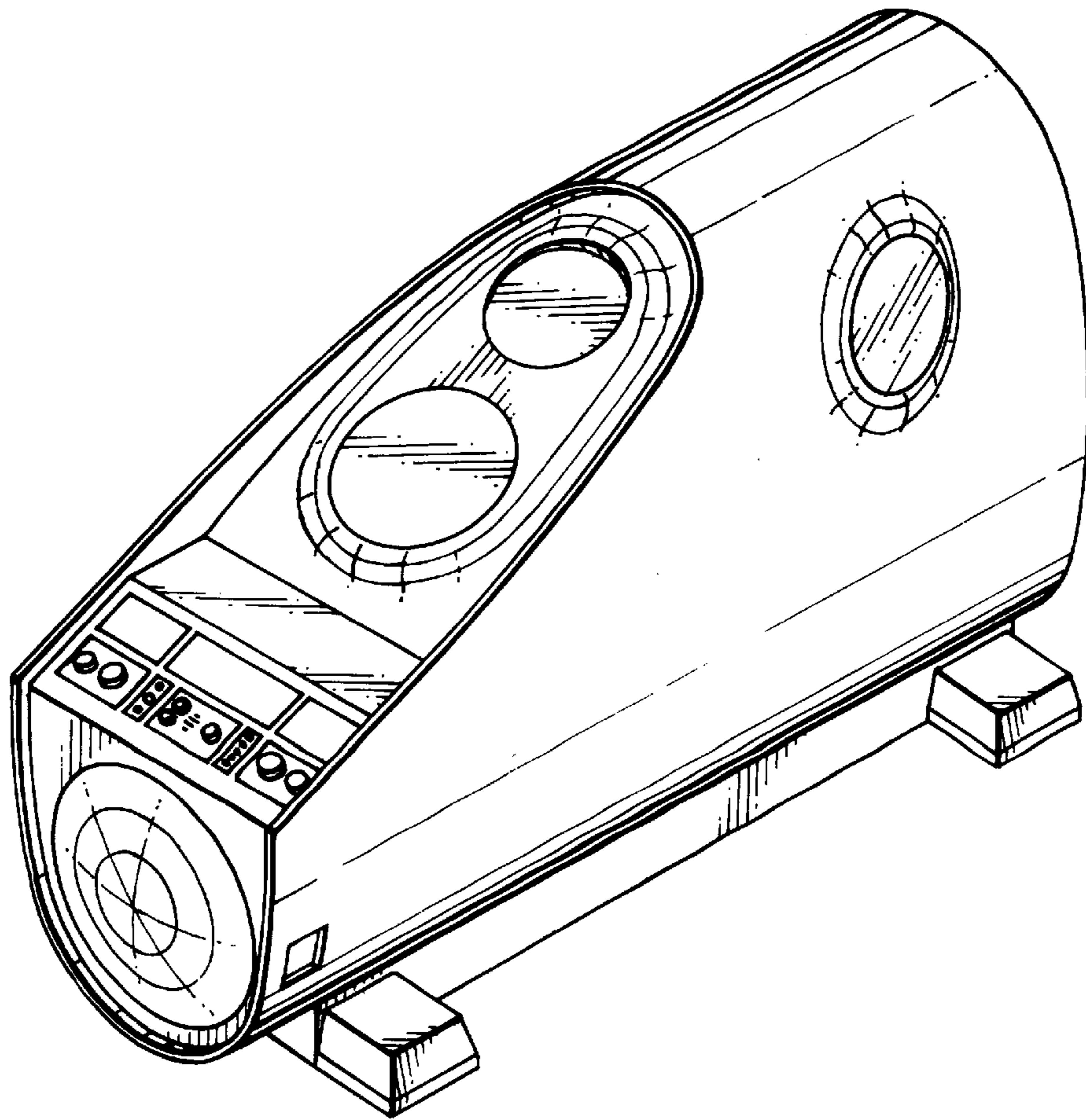


Fig. 4.

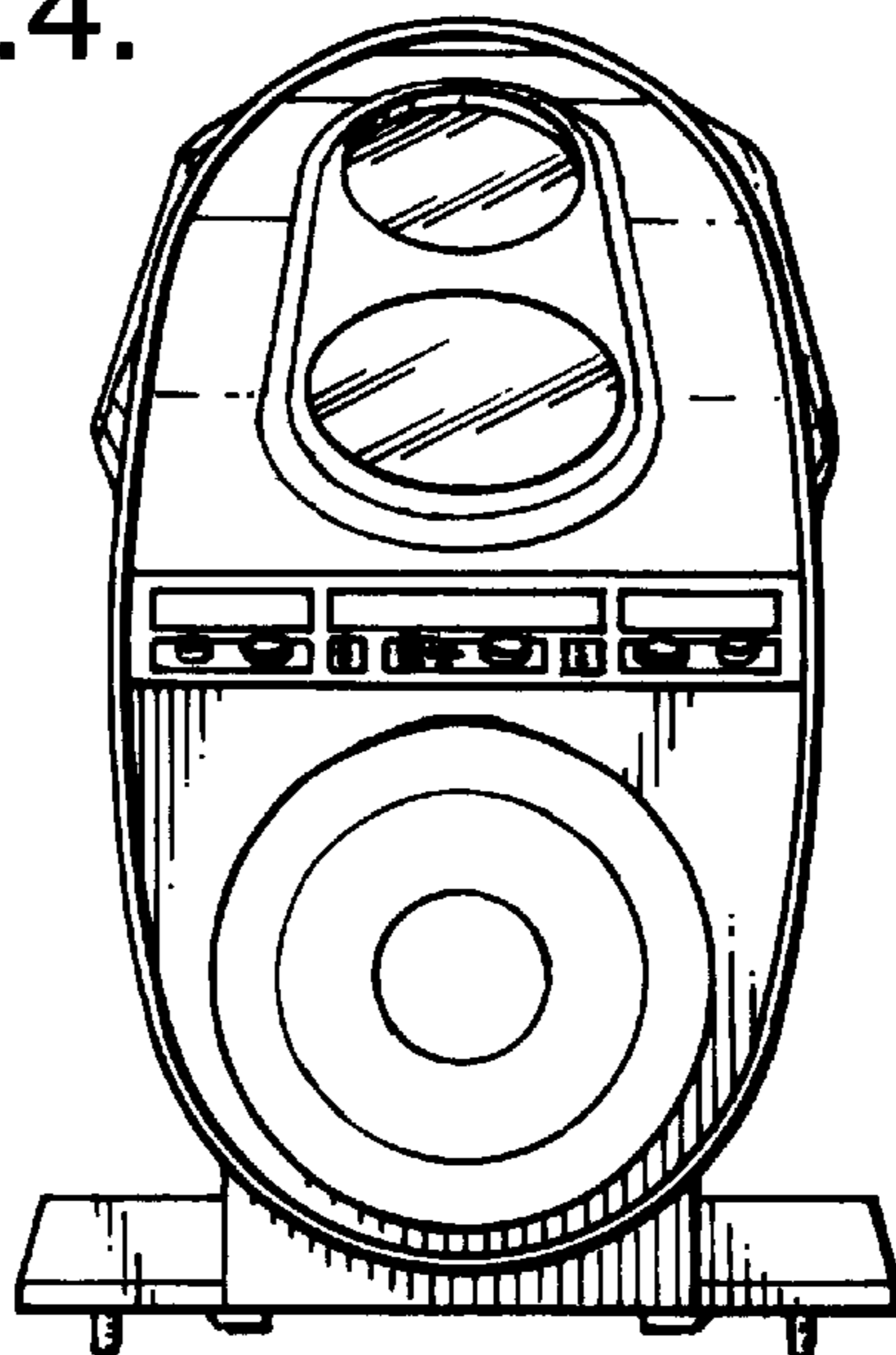


Fig.2.

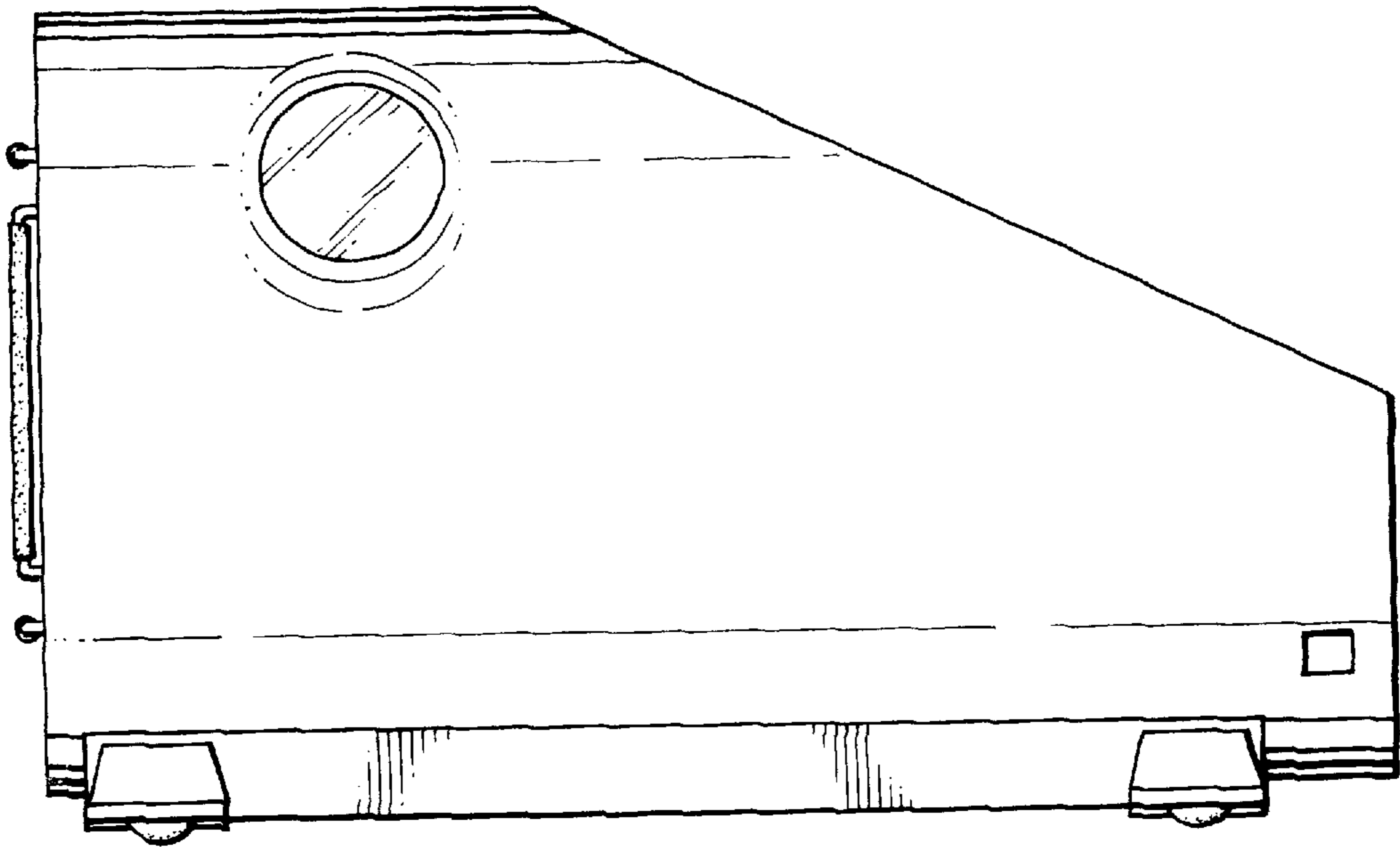


Fig.3.

