



US00D401341S

**United States Patent** [19]  
**Poubouridis**

[11] **Patent Number: Des. 401,341**  
[45] **Date of Patent: \*\*Nov. 17, 1998**

[54] **PSYCHOTHERAPEUTIC FLACCID PENILE PROSTHETIC**

[76] Inventor: **Nick Poubouridis**, 31-15 83rd St., Jackson Heights, N.Y. 11370

[\*\*] Term: **14 Years**

[21] Appl. No.: **61,023**

[22] Filed: **Oct. 15, 1996**

[51] **LOC (6) Cl.** ..... **24-03**

[52] **U.S. Cl.** ..... **D24/155**

[58] **Field of Search** ..... D24/155, 105, D24/231; 600/38-41

[56] **References Cited**

**U.S. PATENT DOCUMENTS**

4,989,592	2/1991	Chang	600/38
5,103,810	4/1992	Chang	600/39
5,217,396	6/1993	McAllister	600/38

**FOREIGN PATENT DOCUMENTS**

2001605 10/1993 Russian Federation ..... 600/39

*Primary Examiner*—Louis S. Zarfaz  
*Assistant Examiner*—Gregory Andoll  
*Attorney, Agent, or Firm*—Cooper & Dunham LLP

[57] **CLAIM**

I claim the ornamental design for a psychotherapeutic flaccid penile prosthetic, as shown and described.

**DESCRIPTION**

FIG. 1 is a right side perspective view of the prosthetic device shown in use, the left side being a mirror image; FIG. 2 is a front side elevational view thereof; FIG. 3 is a top view thereof; FIG. 4 is a back side elevational view thereof; and, FIG. 5 is a bottom view thereof.

The broken line showing of part of a human body in FIG. 1 is for illustrative purposes only and forms no part of the claimed design.

**1 Claim, 2 Drawing Sheets**

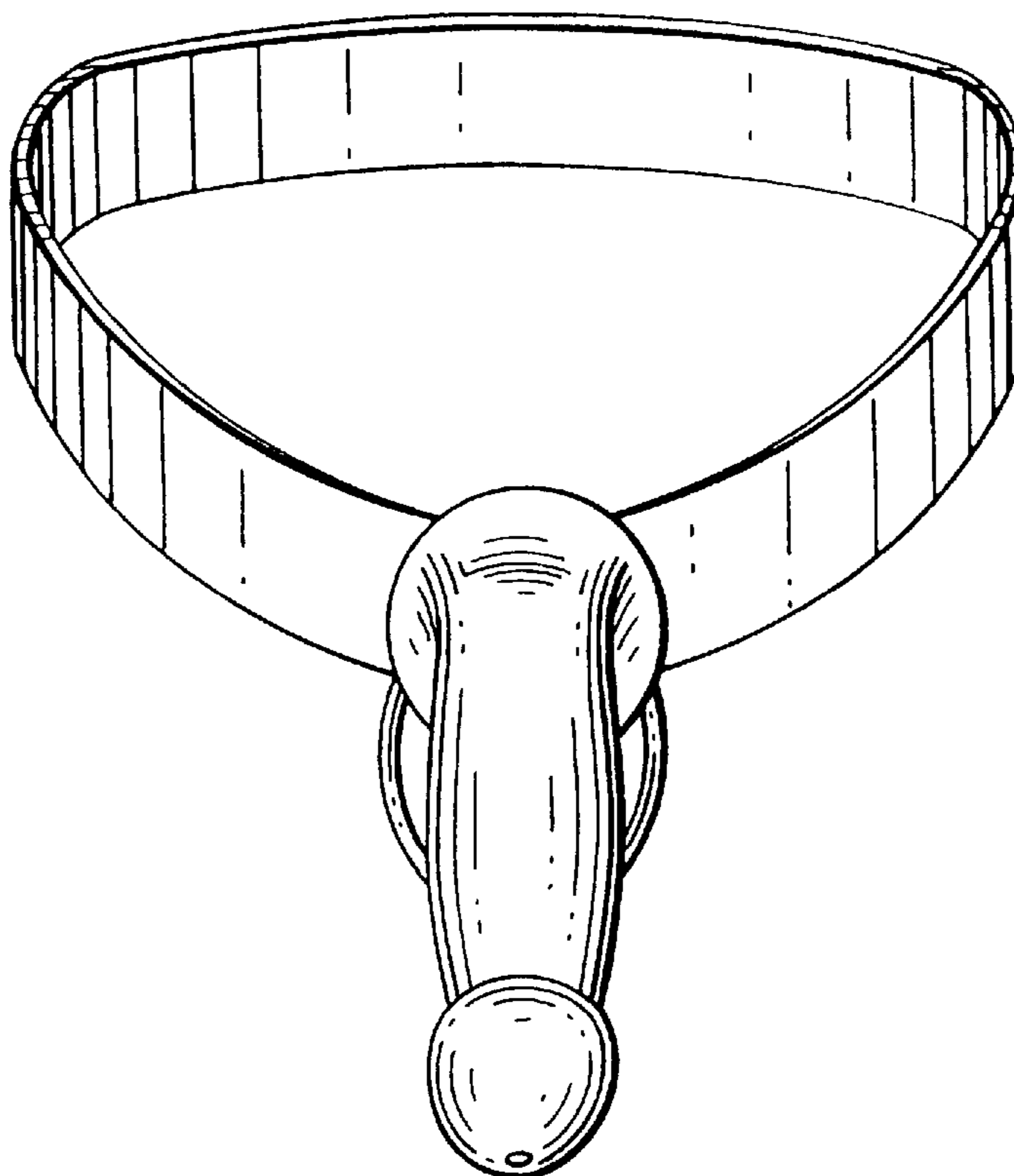


FIG. 1

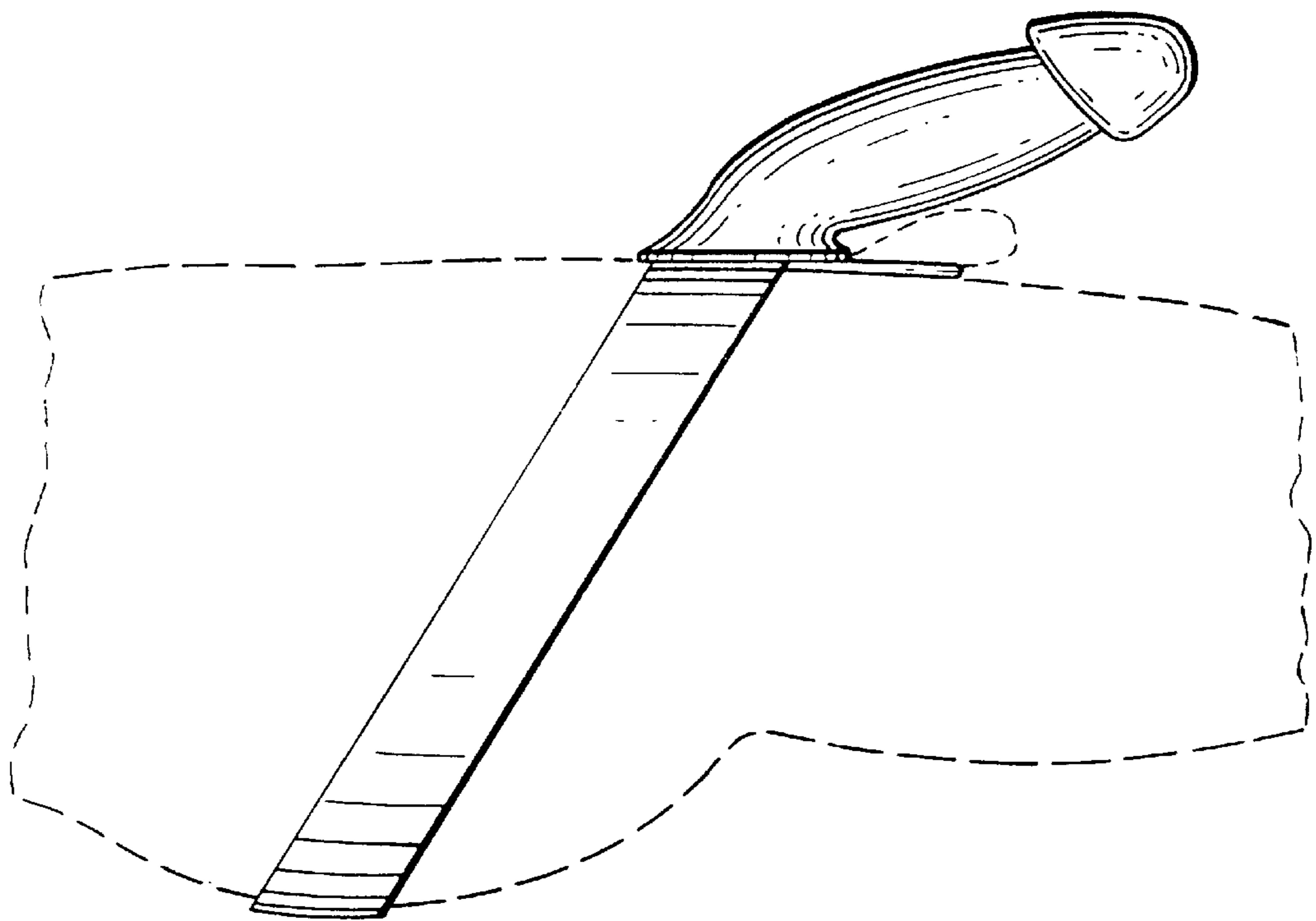
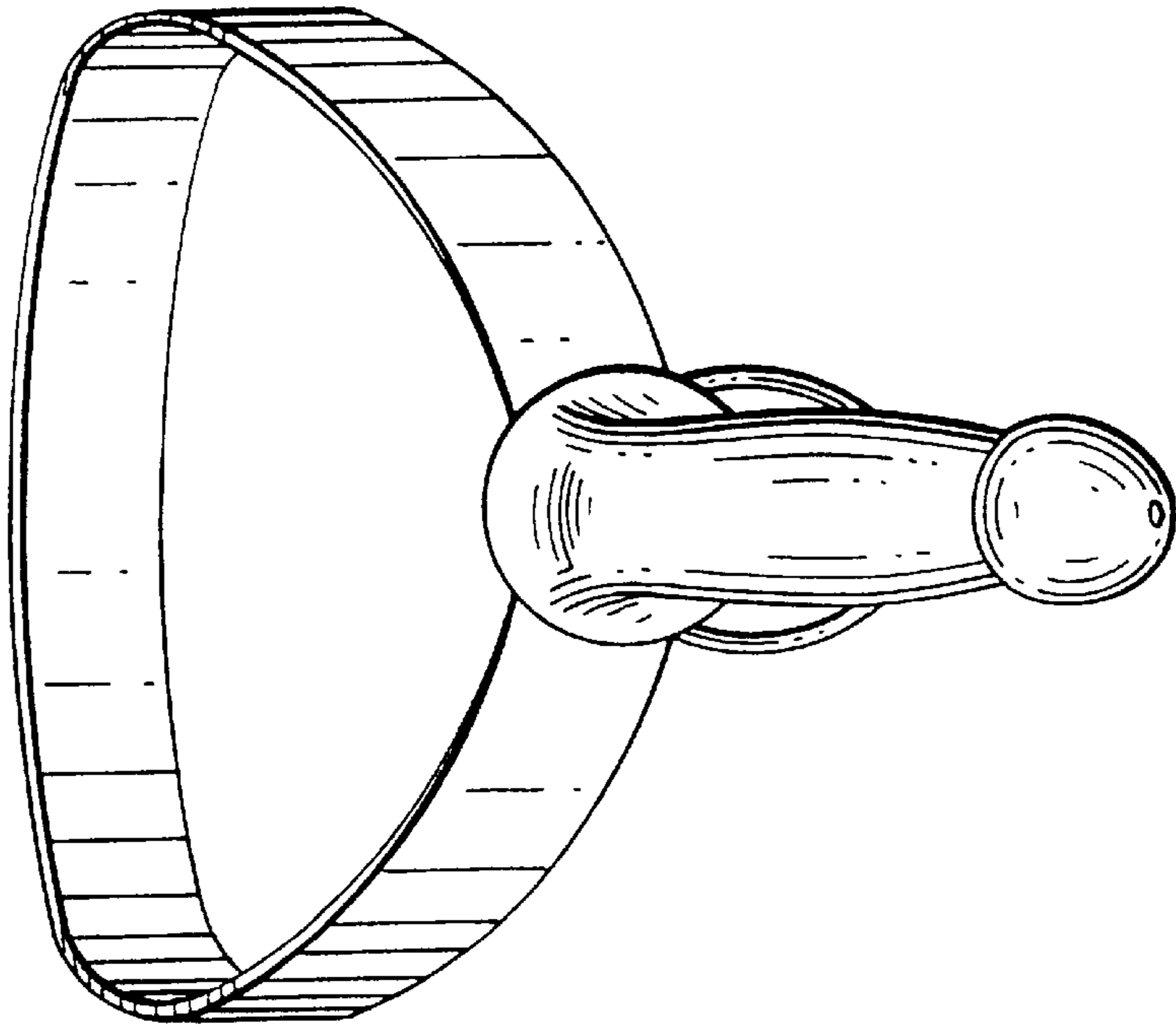
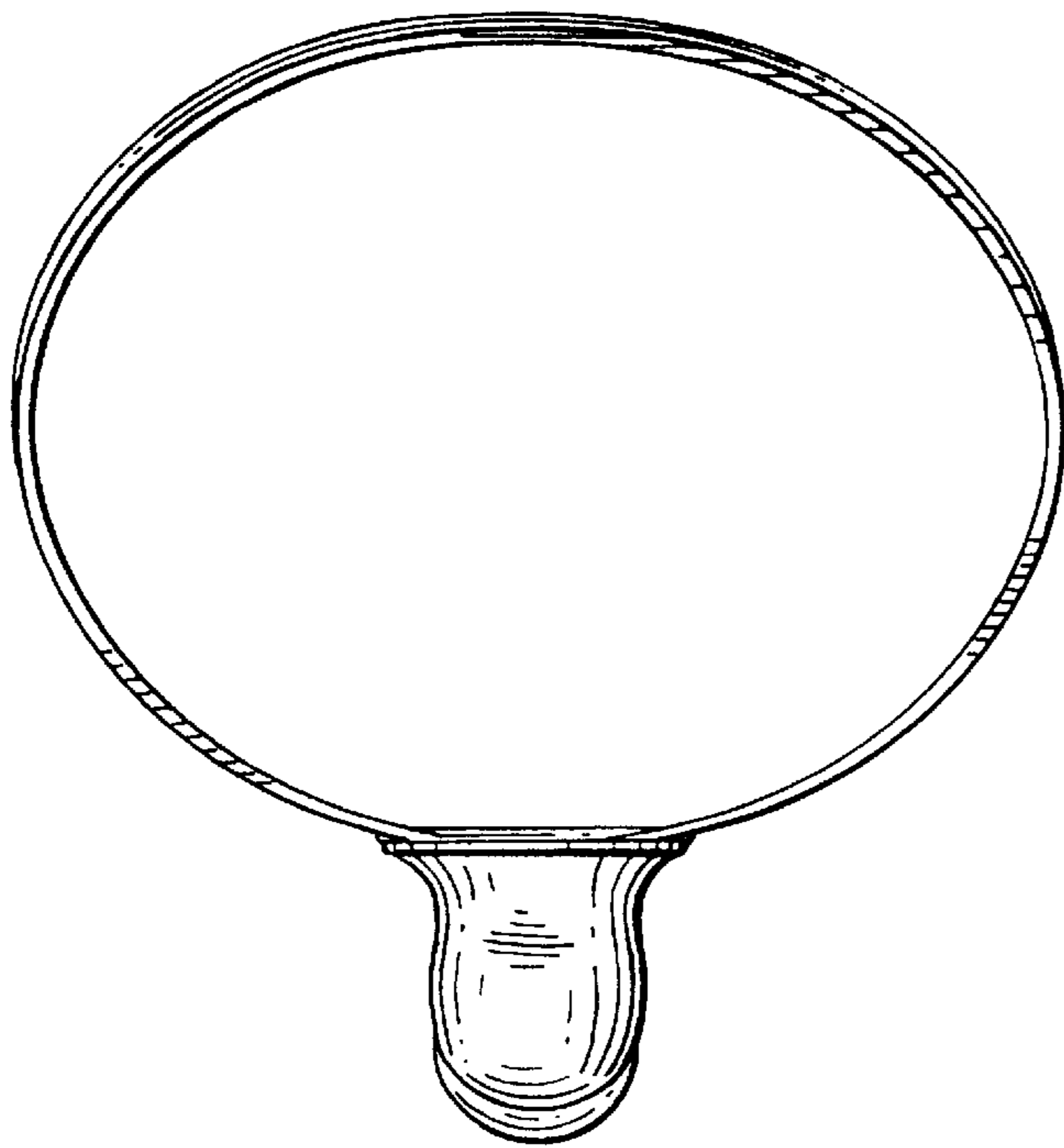
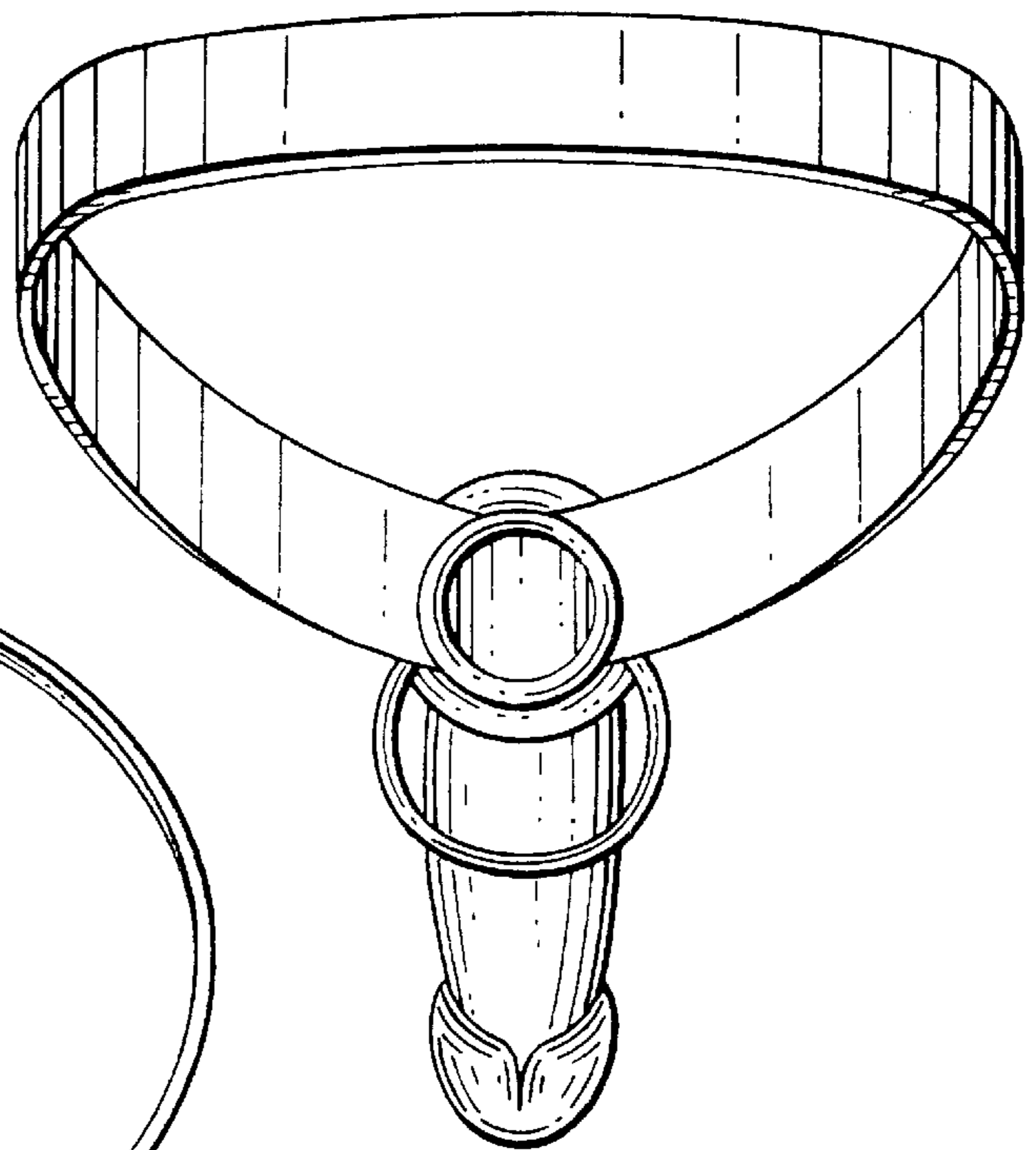


FIG. 2

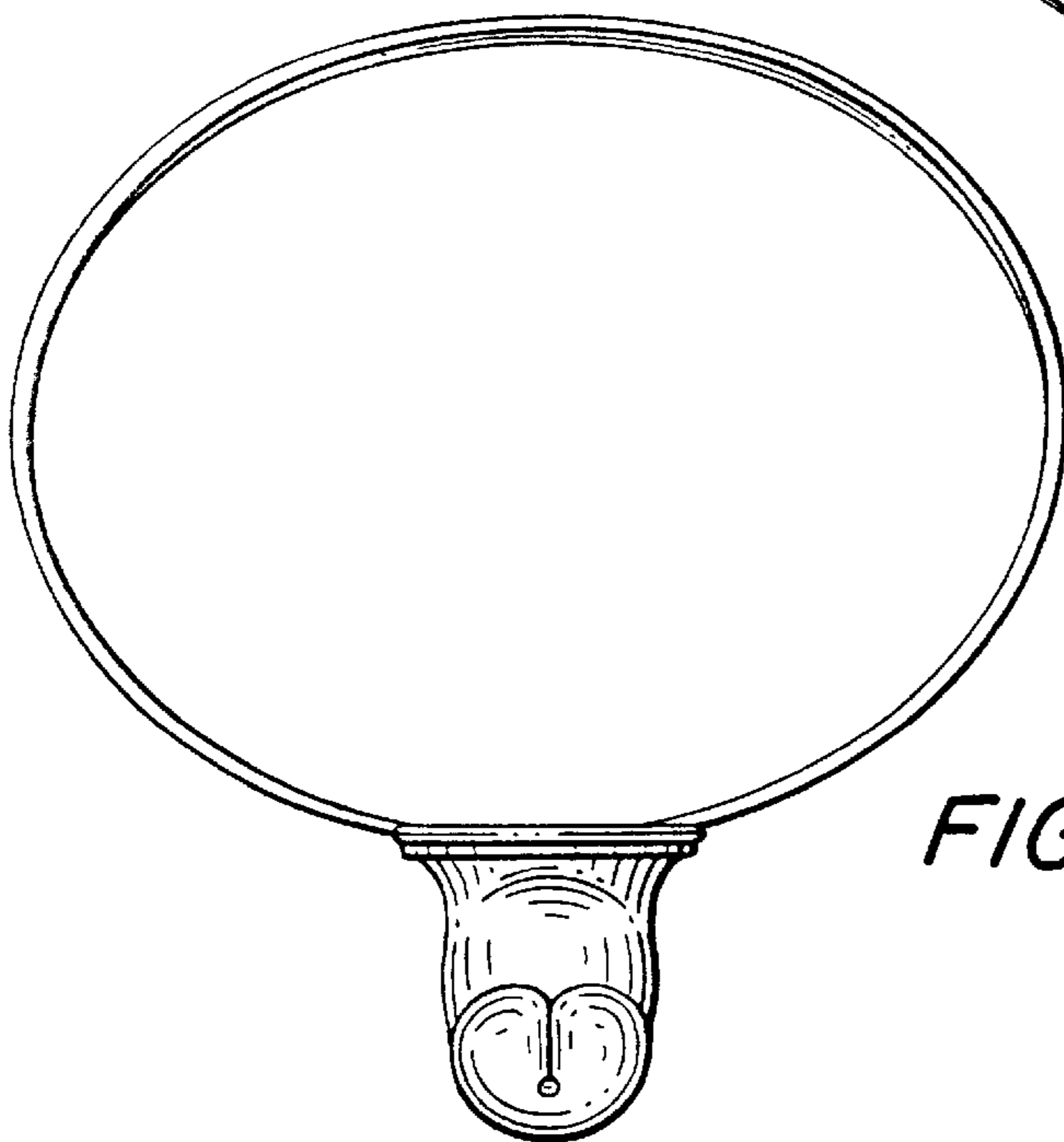




*FIG. 3*



*FIG. 4*



*FIG. 5*