



US00D401340S

United States Patent [19]

Waldman et al.

[11] Patent Number: Des. 401,340

[45] Date of Patent: **Nov. 17, 1998

[54] DERMATOME HANDLE

[75] Inventors: **Joel N. Waldman**, Fairway, Kans.;
James William Petersen, Grain Valley,
Mo.; **James Edward Petersen**,
Shawnee Mission, Kans.

[73] Assignee: **Padgett Instruments, Inc.**, Kansas
City, Mo.

[**] Term: **14 Years**

[21] Appl. No.: **62,237**

[22] Filed: **Nov. 12, 1996**

[51] LOC (6) Cl. **24-02**

[52] U.S. Cl. **D24/146**

[58] Field of Search D24/144, 146,
D24/170, 133, 127-129; D8/80, 83, 94;
D7/393, 395; 606/79-85, 131, 132, 133,
167-172, 180, 41-47, 9, 13; 607/2; 30/223,
280, 283

[56] References Cited

U.S. PATENT DOCUMENTS

D. 303,148	8/1989	Rexroth	D24/146
D. 322,672	12/1991	Feltovich et al.	.	
D. 323,556	1/1992	Miyaguchi	D24/147
D. 381,079	7/1997	Koepnick	D24/146
3,327,711	6/1967	Vallis	.	
3,412,732	11/1968	Simon	.	
3,428,045	2/1969	Kratzsch et al.	.	
3,563,120	2/1971	Barinka et al.	.	
3,583,403	6/1971	Pohl et al.	.	
3,776,236	12/1973	Brent	.	
3,934,591	1/1976	Gleason	.	

4,038,986	8/1977	Mahler	.
4,098,278	7/1978	Schwartz	.
4,270,540	6/1981	Schwartz	.
4,690,139	9/1987	Rosenberg	.
4,754,756	7/1988	Shelanski	.
4,838,284	6/1989	Shelanski	.
4,917,086	4/1990	Feltovich et al.	.

OTHER PUBLICATIONS

Zimmer Air Dermatome 2-sided brochure; Zimmer, Inc. (1988).

Primary Examiner—Pamela Burgess
Attorney, Agent, or Firm—Hovey, Williams, Timmons & Collins

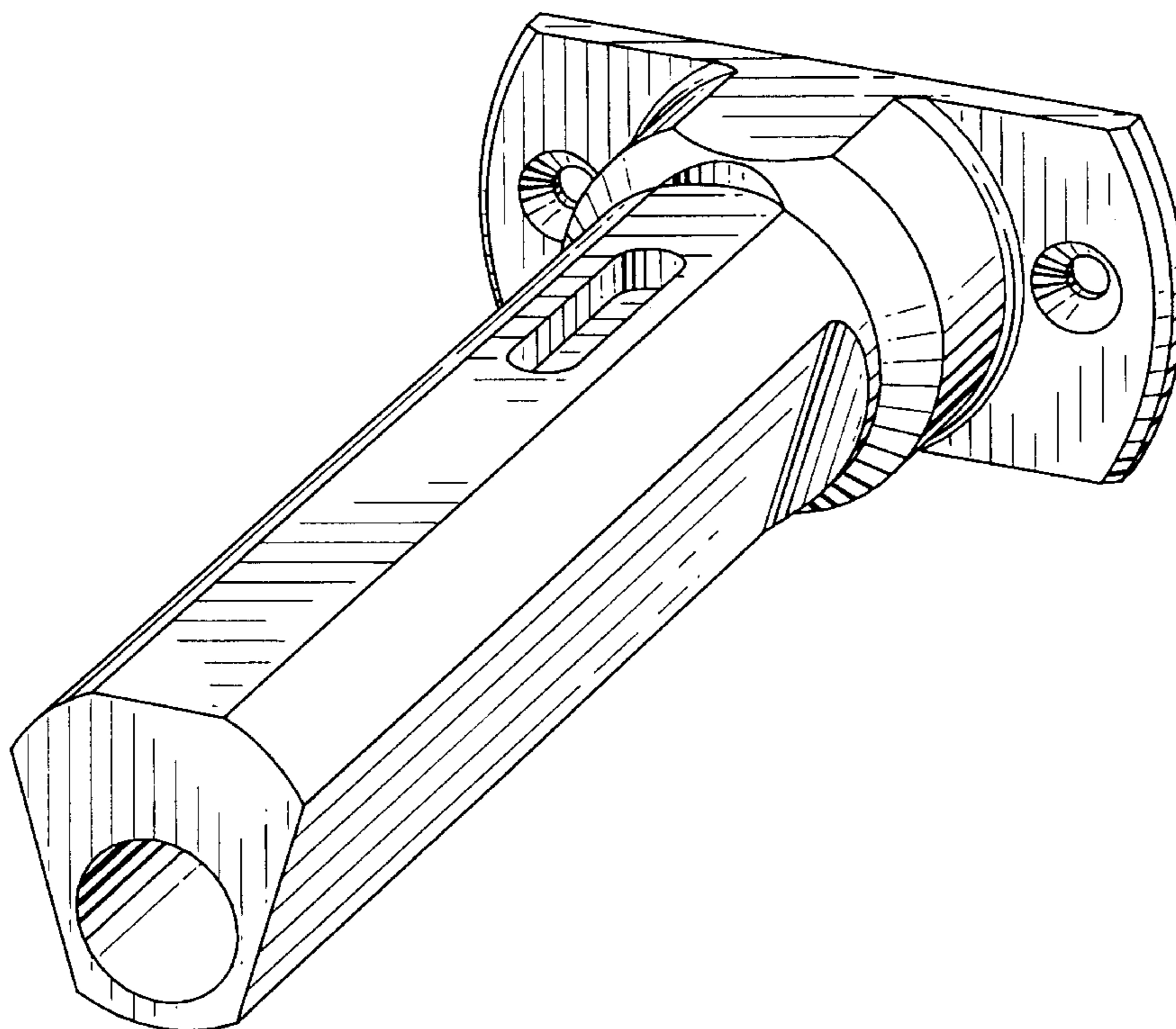
[57] CLAIM

The ornamental design for a dermatome handle, as shown and described.

DESCRIPTION

FIG. 1 is a right side elevational view of a dermatome handle showing our new design, the broken lines illustrating environmental structure are for illustrative purposes only and form no part of the claimed design;
FIG. 2 is a top plan view thereof, the broken lines illustrative environmental structure are for illustrative purposes only and form no part of the claimed design;
FIG. 3 is a bottom plan view thereof;
FIG. 4 is a front elevational view thereof;
FIG. 5 is a rear elevational view thereof;
FIG. 6 is an enlarged left, rear, top perspective view thereof; and,
FIG. 7 is an enlarged right, front, lower perspective view thereof.

1 Claim, 2 Drawing Sheets



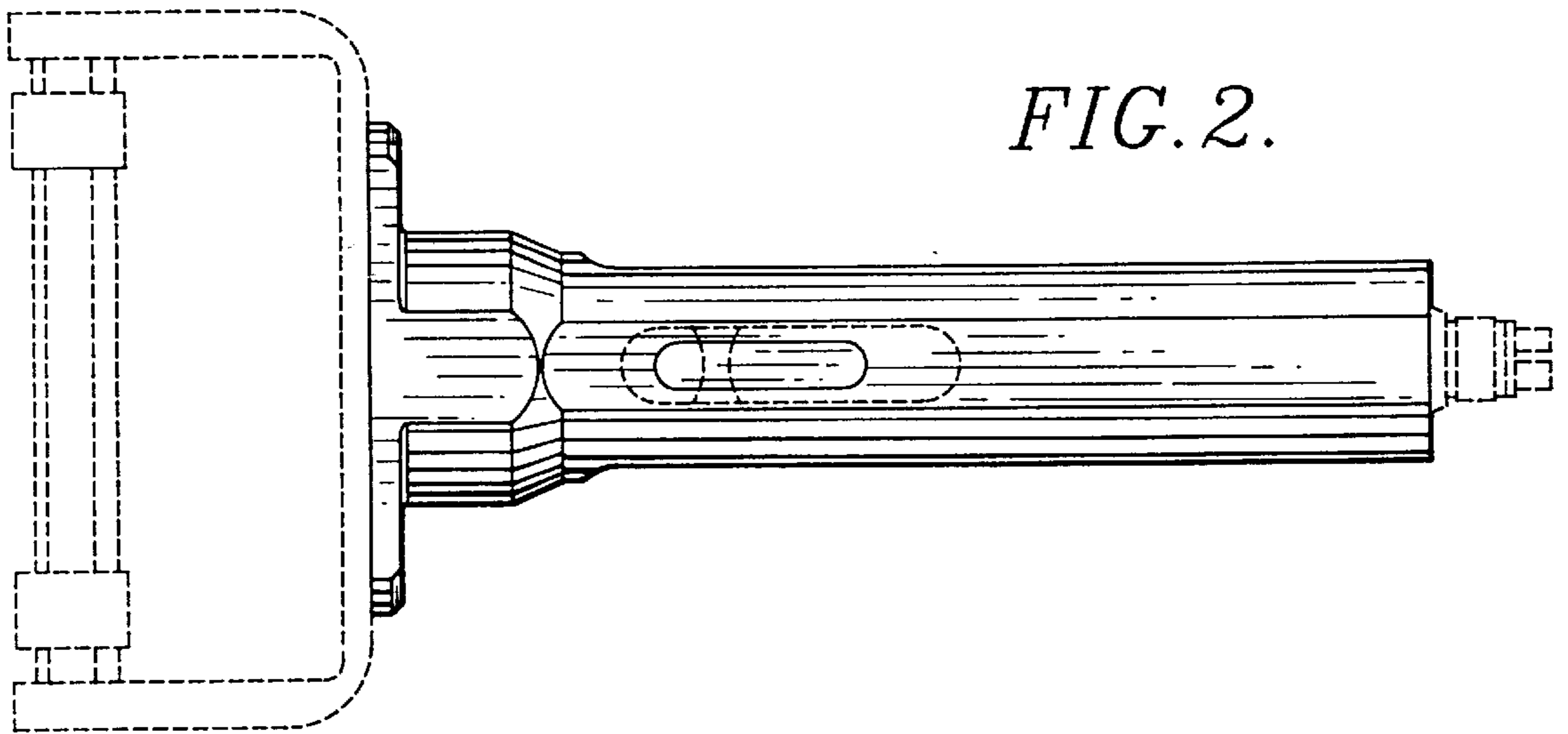


FIG. 1.

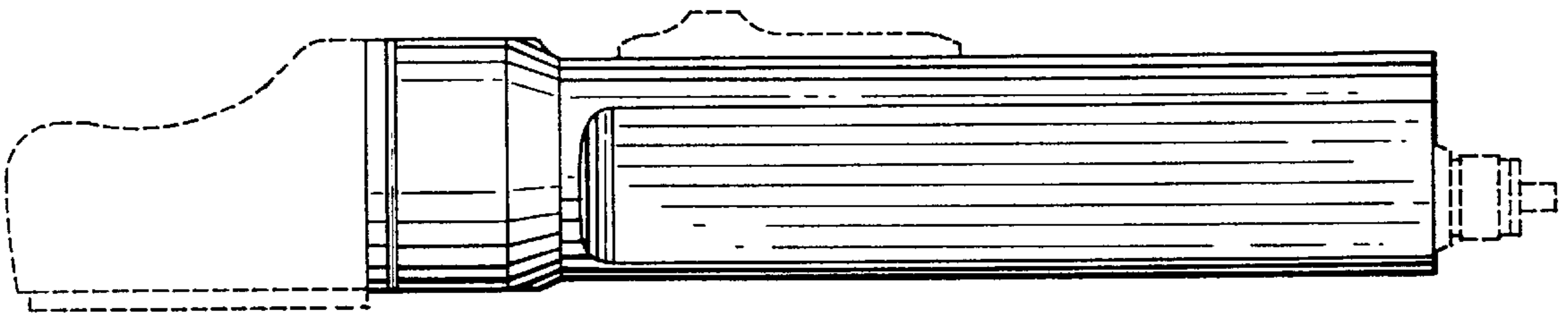


FIG. 3.

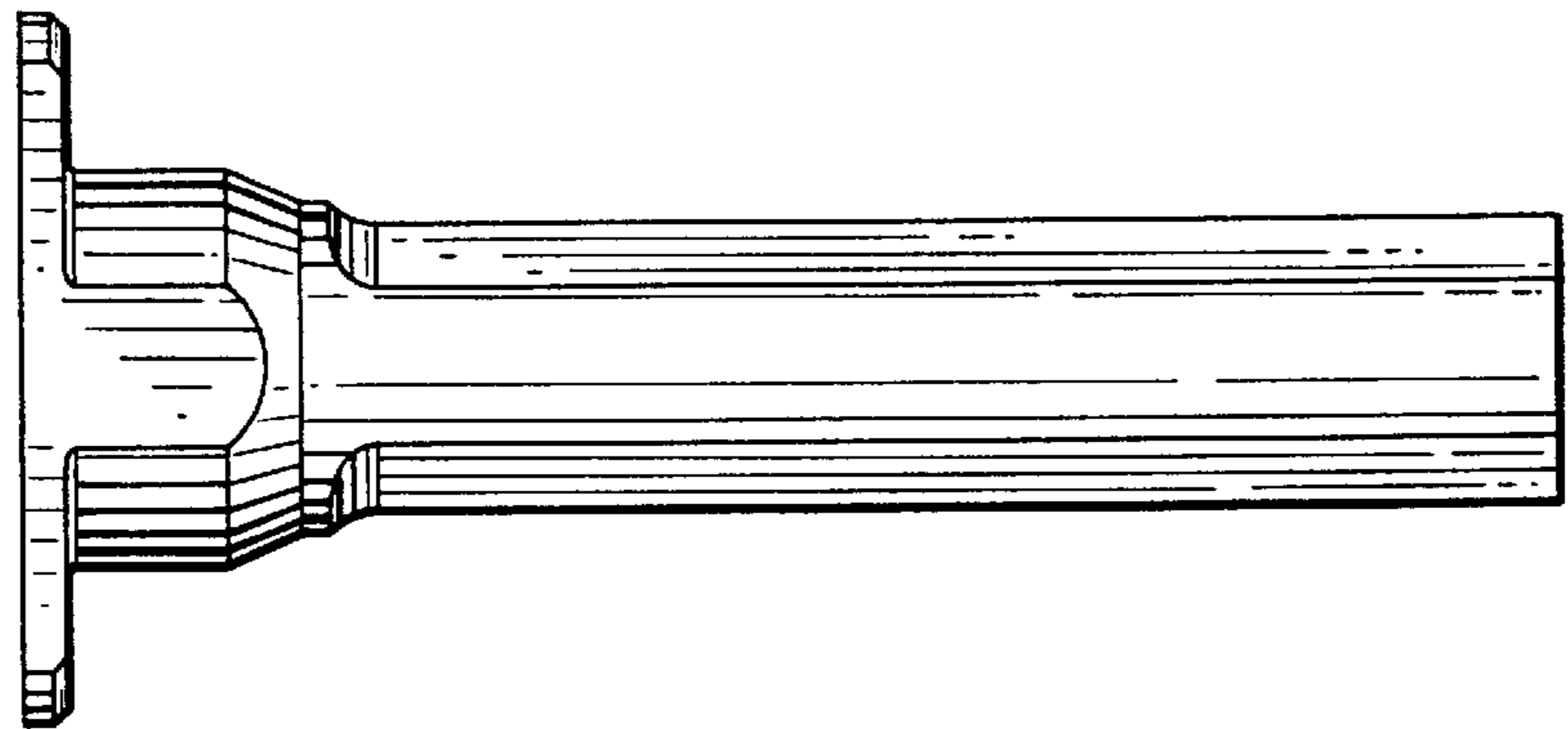


FIG. 4.

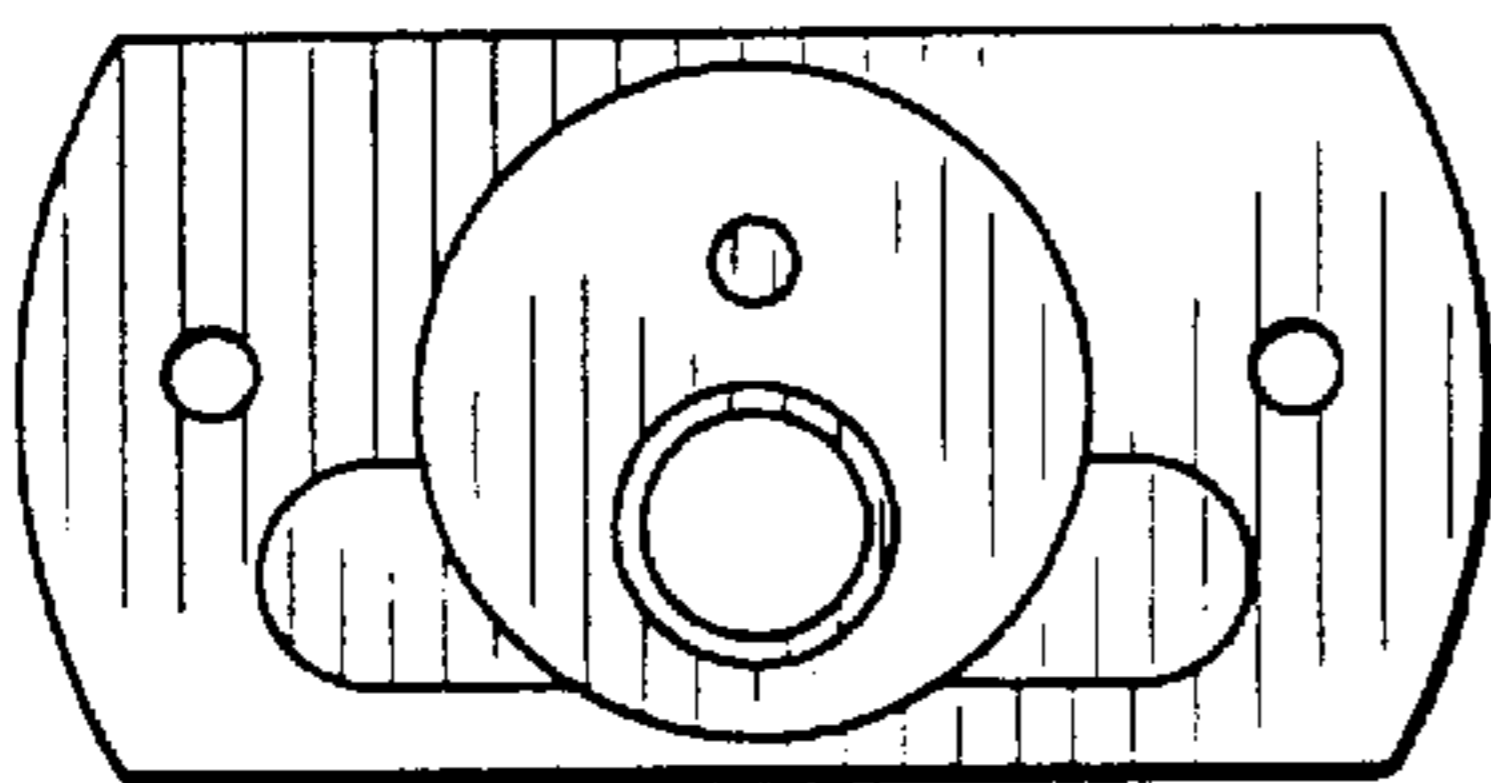


FIG. 5.

