



US00D401339S

# United States Patent [19] Chambers

[11] **Patent Number: Des. 401,339**

[45] **Date of Patent: \*\*Nov. 17, 1998**

[54] **SINGLE DISPENSING MULTI-STRAND  
PACK**

[75] Inventor: **Elizabeth A. Chambers**, Danbury,  
Conn.

[73] Assignee: **Tyco Group S.A.R.L.**, Luxembourg

[\*\*] Term: **14 Years**

4,574,957	3/1986	Stead .....	206/63.3
4,813,537	3/1989	Okuhara et al. ....	206/63.3
4,884,681	12/1989	Roshdy et al. ....	206/63.3
4,896,767	1/1990	Pinheiru .....	206/63.3
5,050,735	9/1991	Levy .....	206/63
5,101,968	4/1992	Henderson et al. ....	206/63.3
5,127,518	7/1992	Holzwarth et al. ....	206/63.3
5,199,561	4/1993	Roshdy et al. ....	206/63.3
5,335,783	8/1994	Sinn .....	206/63.3

[21] Appl. No.: **66,033**

[22] Filed: **Feb. 4, 1997**

### Related U.S. Application Data

[62] Division of Ser. No. 30,424, Oct. 28, 1994, Pat. No. Des. 382,960.

[51] **LOC (6) Cl. .... 24-02**

[52] **U.S. Cl. .... D24/145; D9/337**

[58] **Field of Search .... D24/145; D9/303,  
D9/337; 206/63.3, 439, 380; D3/203**

### [56] References Cited

#### U.S. PATENT DOCUMENTS

2,617,523	11/1952	Zuller .....	206/63.3
4,135,623	1/1979	Thyen .....	206/63.3
4,268,811	5/1981	Evans et al. ....	9/337
4,391,365	7/1983	Batchelor .....	206/63.3
4,555,016	11/1985	Aday et al. ....	206/63.3

### OTHER PUBLICATIONS

Davis & Geck Suture package ad, 1991.

*Primary Examiner*—Pamela Burgess  
*Attorney, Agent, or Firm*—Rita D. Vacca; Montgomery G. Smith

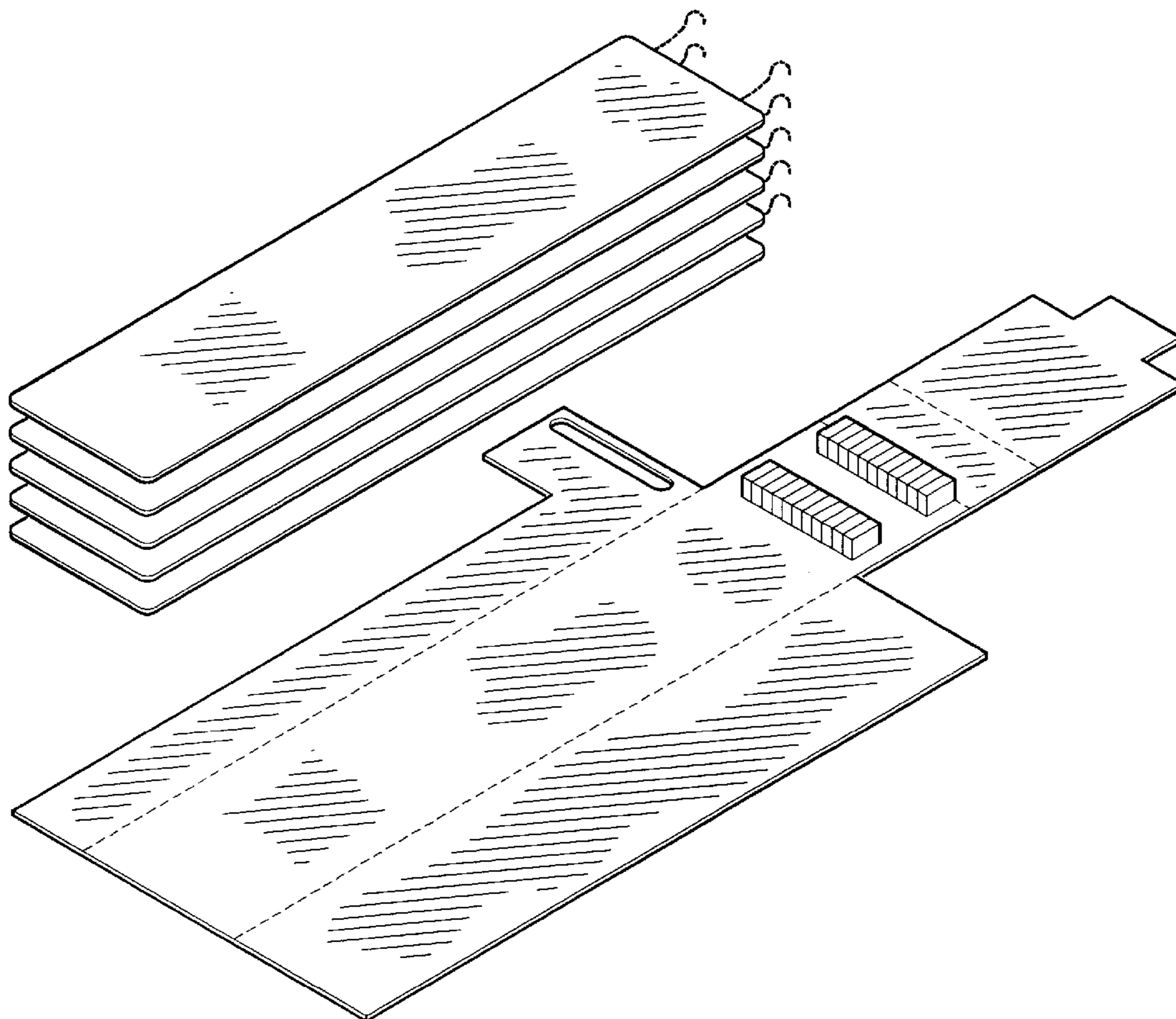
### [57] CLAIM

The ornamental design for a suture package, as shown and described.

### DESCRIPTION

FIG. 1 is a top perspective view of a single dispensing multi-strand pack showing my new design in a fully opened position;  
FIG. 2 is a top perspective view thereof in a fully closed position; and,  
FIG. 3 is a bottom perspective view thereof.

**1 Claim, 2 Drawing Sheets**



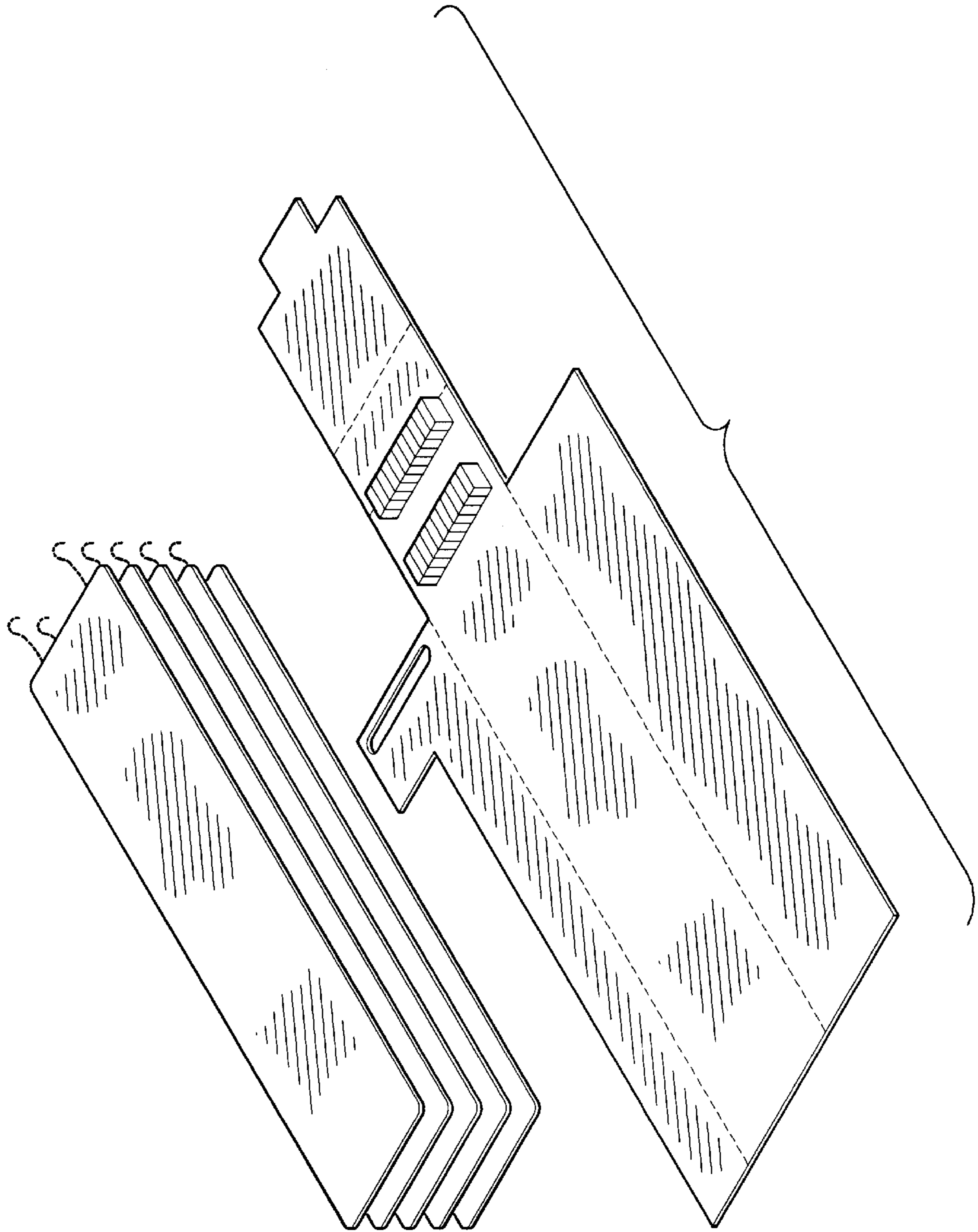
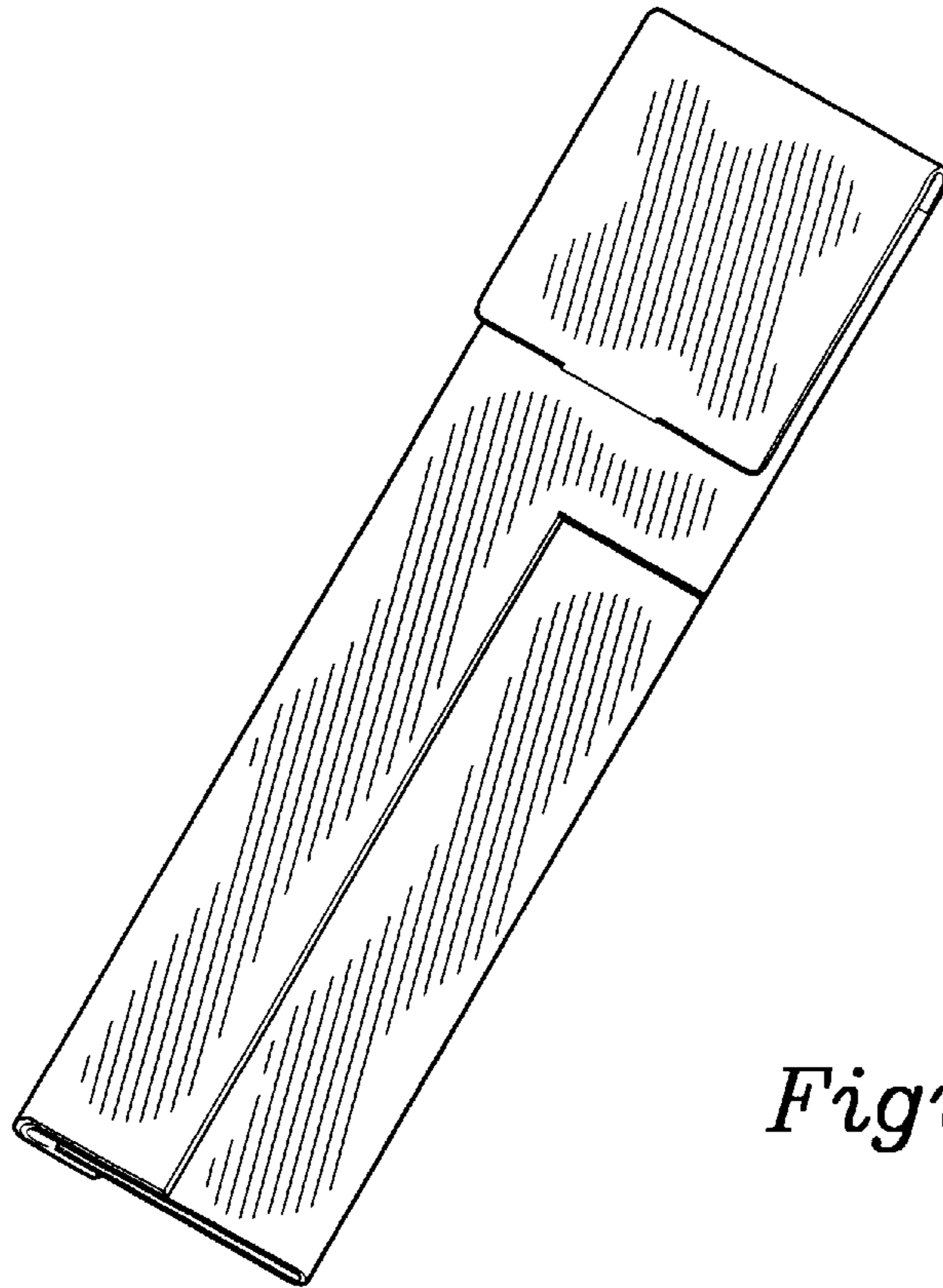
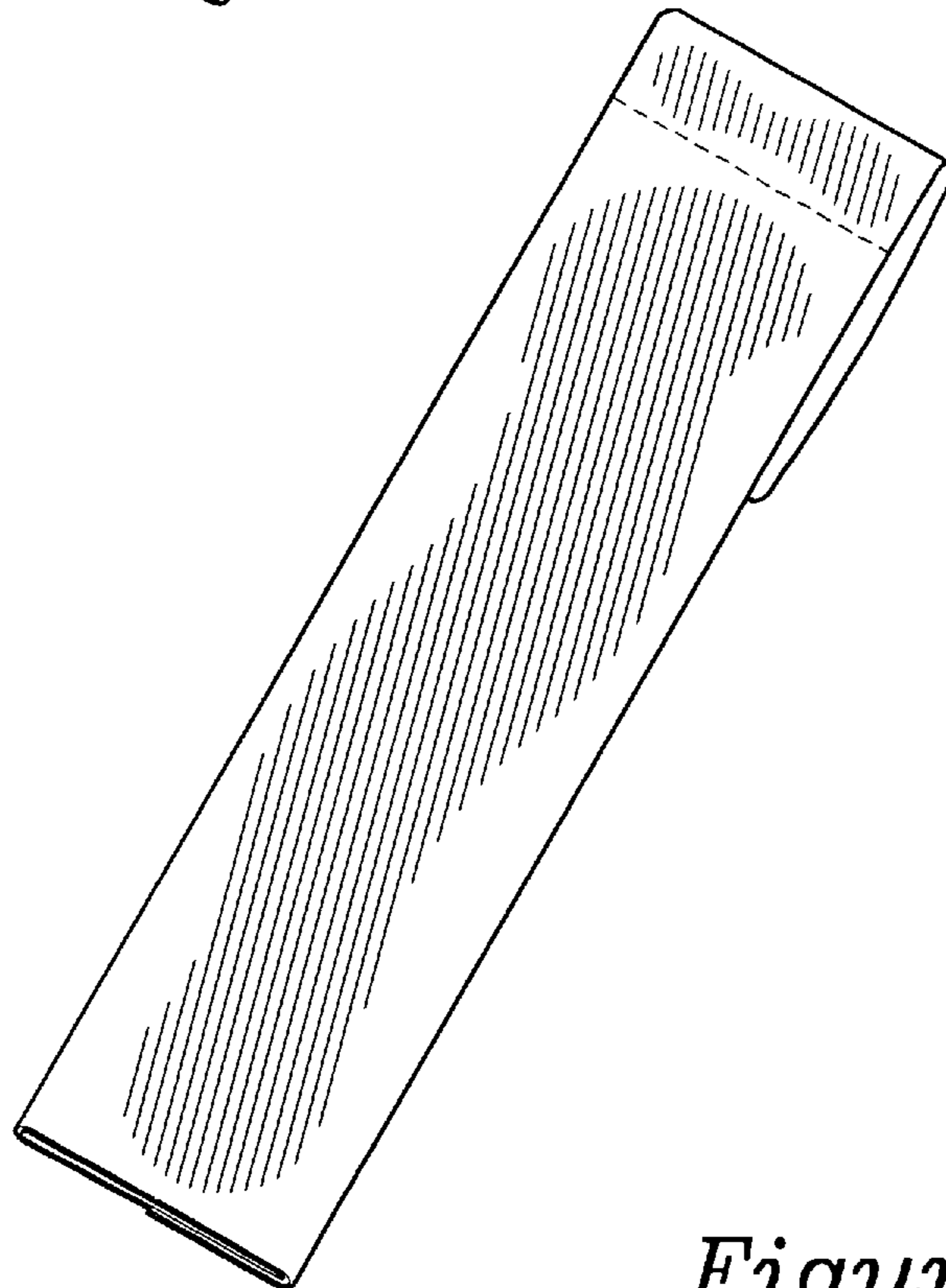


Figure 1



*Figure 2*



*Figure 3*