



US00D401337S

**United States Patent** [19]  
**Rashman**

[11] **Patent Number: Des. 401,337**

[45] **Date of Patent: \*\*Nov. 17, 1998**

[54] **STETHOSCOPE BELL**

[75] Inventor: **Richard Rashman**, Los Angeles, Calif.

[73] Assignee: **Prestige Medical Corporation**,  
Northridge, Calif.

[\*\*] Term: **14 Years**

[21] Appl. No.: **75,367**

[22] Filed: **Aug. 14, 1997**

[51] **LOC (6) Cl.** ..... **24-02**

[52] **U.S. Cl.** ..... **D24/134**

[58] **Field of Search** ..... D24/134; 181/131,  
181/135; 128/715

[56] **References Cited**

**U.S. PATENT DOCUMENTS**

D. 214,002	4/1969	Macklop et al. ....	D24/134
4,502,562	3/1985	Nelson .....	181/131
4,724,922	2/1988	Kalayjian .....	181/135

*Primary Examiner*—Doris Clark  
*Attorney, Agent, or Firm*—Blakely Sokoloff Taylor & Zafman

[57] **CLAIM**

The ornamental design for a stethoscope bell, as shown and described.

**DESCRIPTION**

FIG. 1 is a front perspective view of the stethoscope bell design, additional elements of a stethoscope being shown in shadow line for illustrative purposes only and forms no part of the claimed design;

FIG. 2 is a front elevational view thereof;

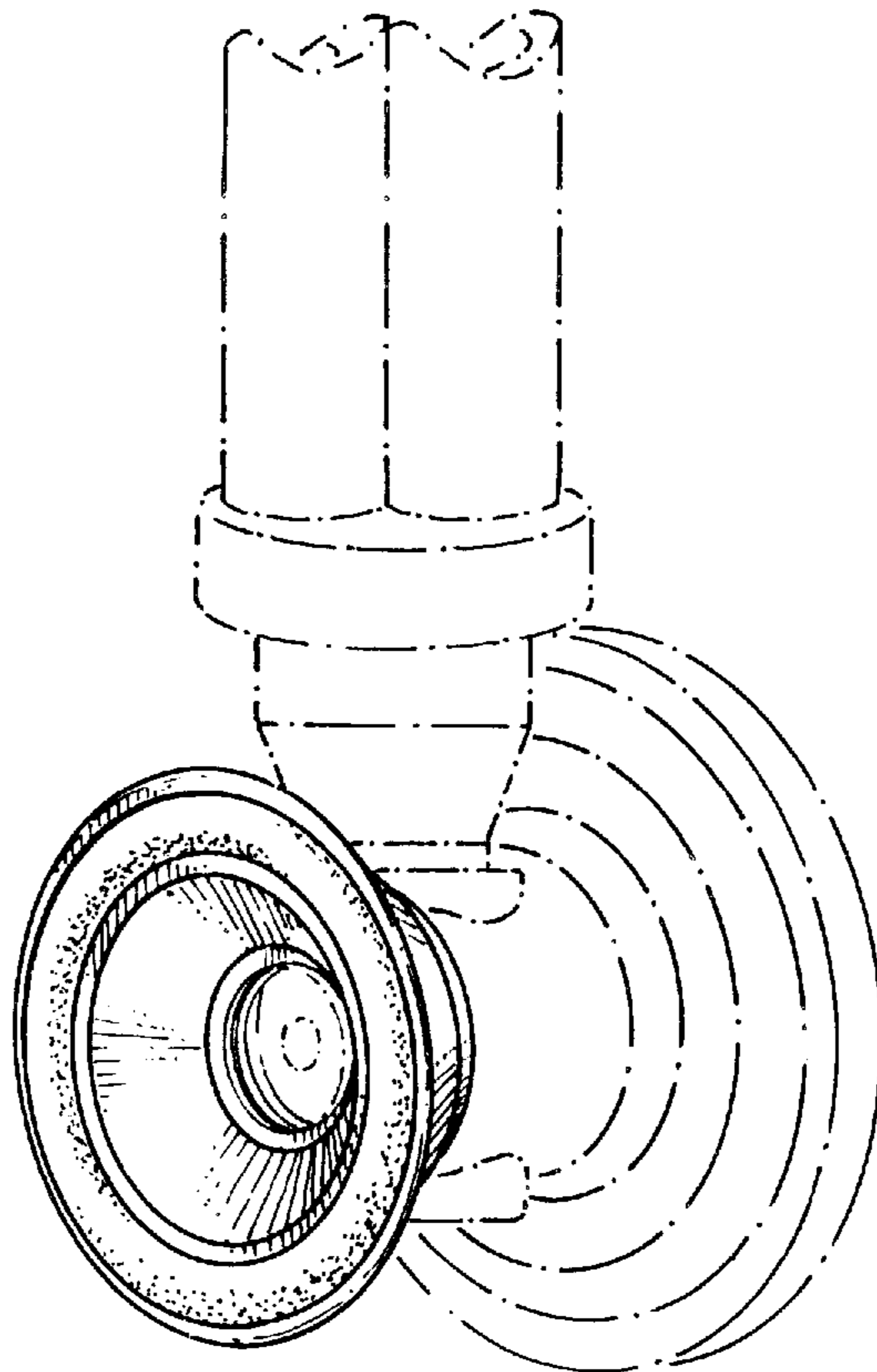
FIG. 3 is a side elevational view thereof, the opposite side being a mirror image thereof;

FIG. 4 is a rear elevational view thereof;

FIG. 5 is a side elevational view thereof taken in cross section along line 5—5 of FIG. 4; and,

FIG. 6 is a rear, side perspective view thereof.

**1 Claim, 1 Drawing Sheet**



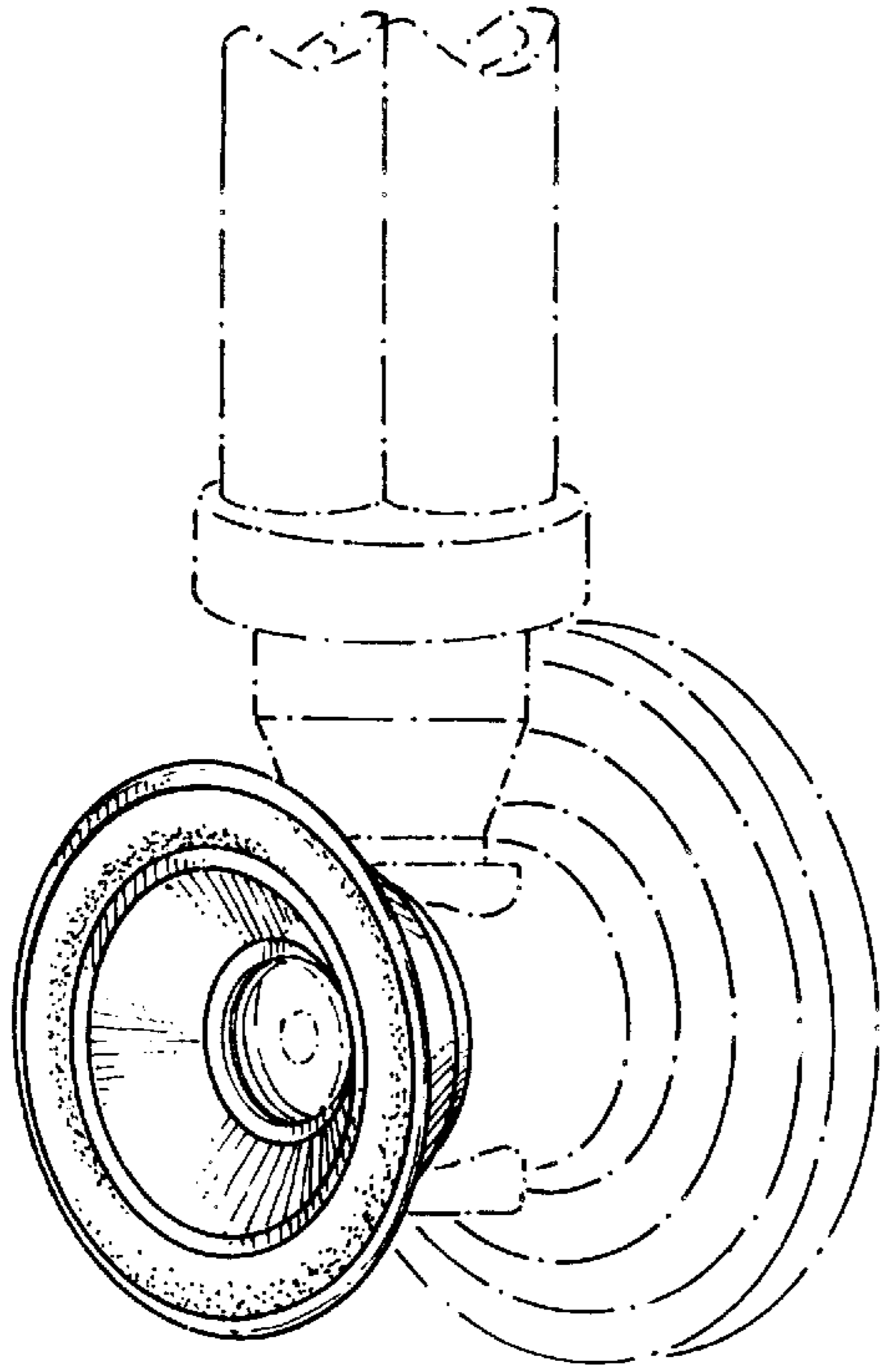


FIG. 1

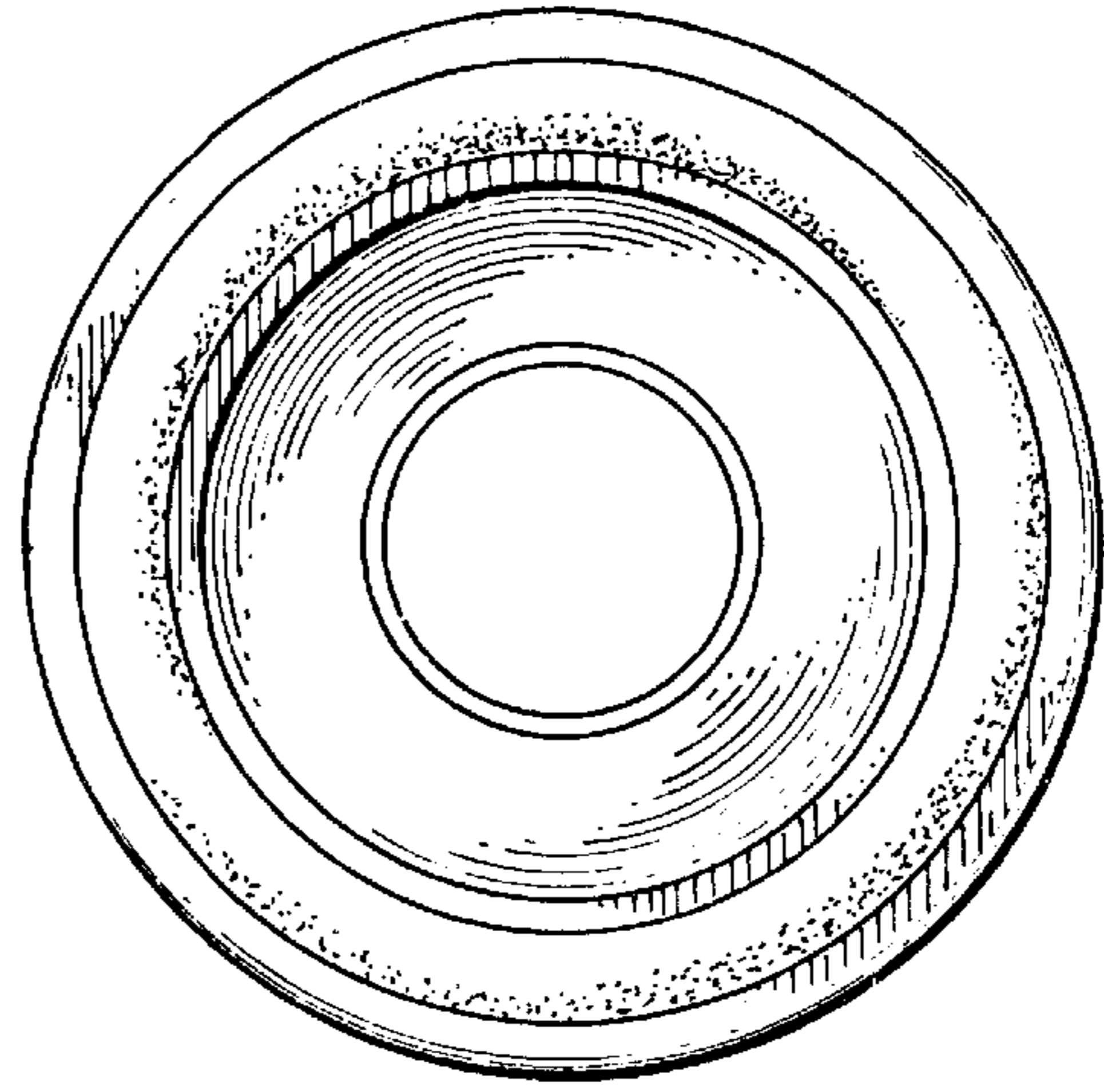


FIG. 2

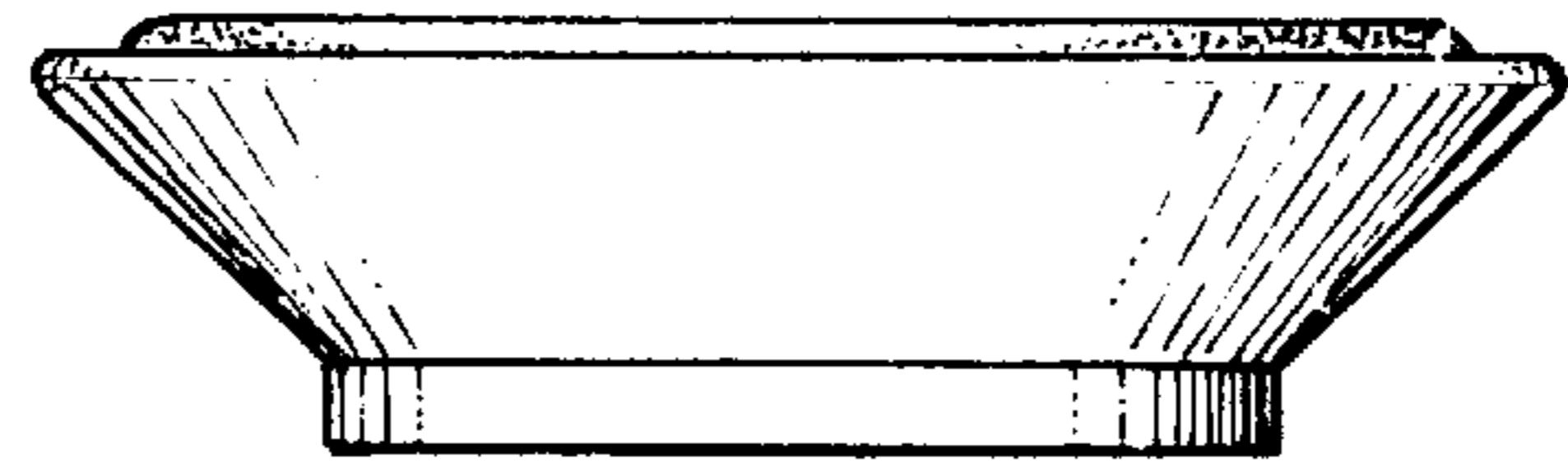


FIG. 3

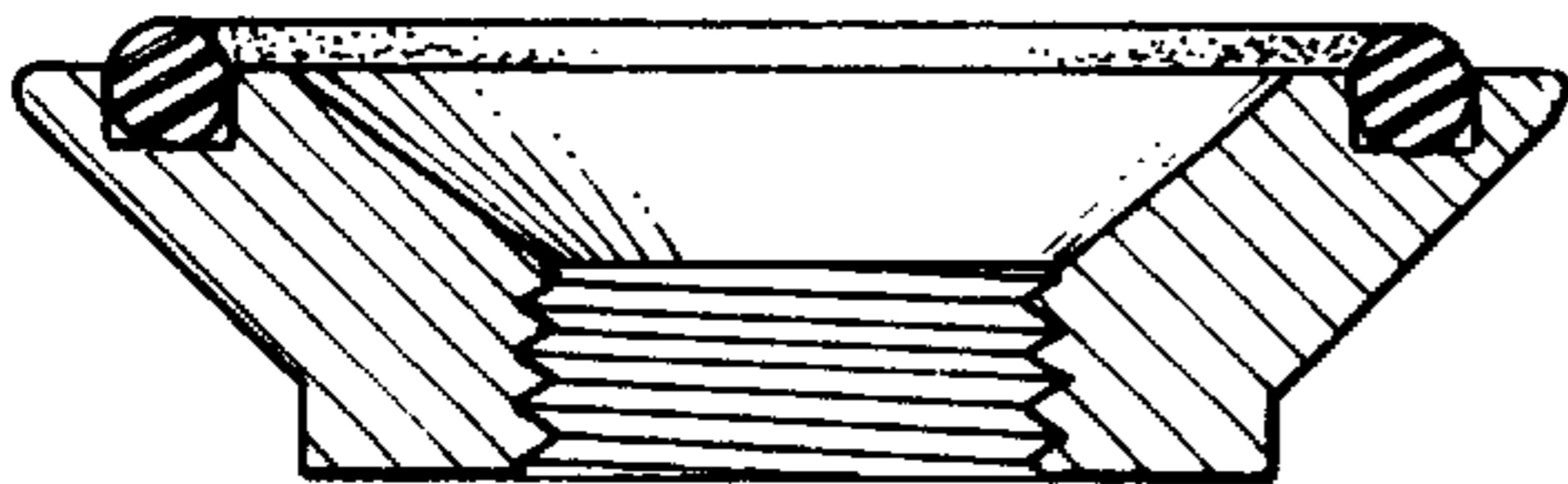


FIG. 5

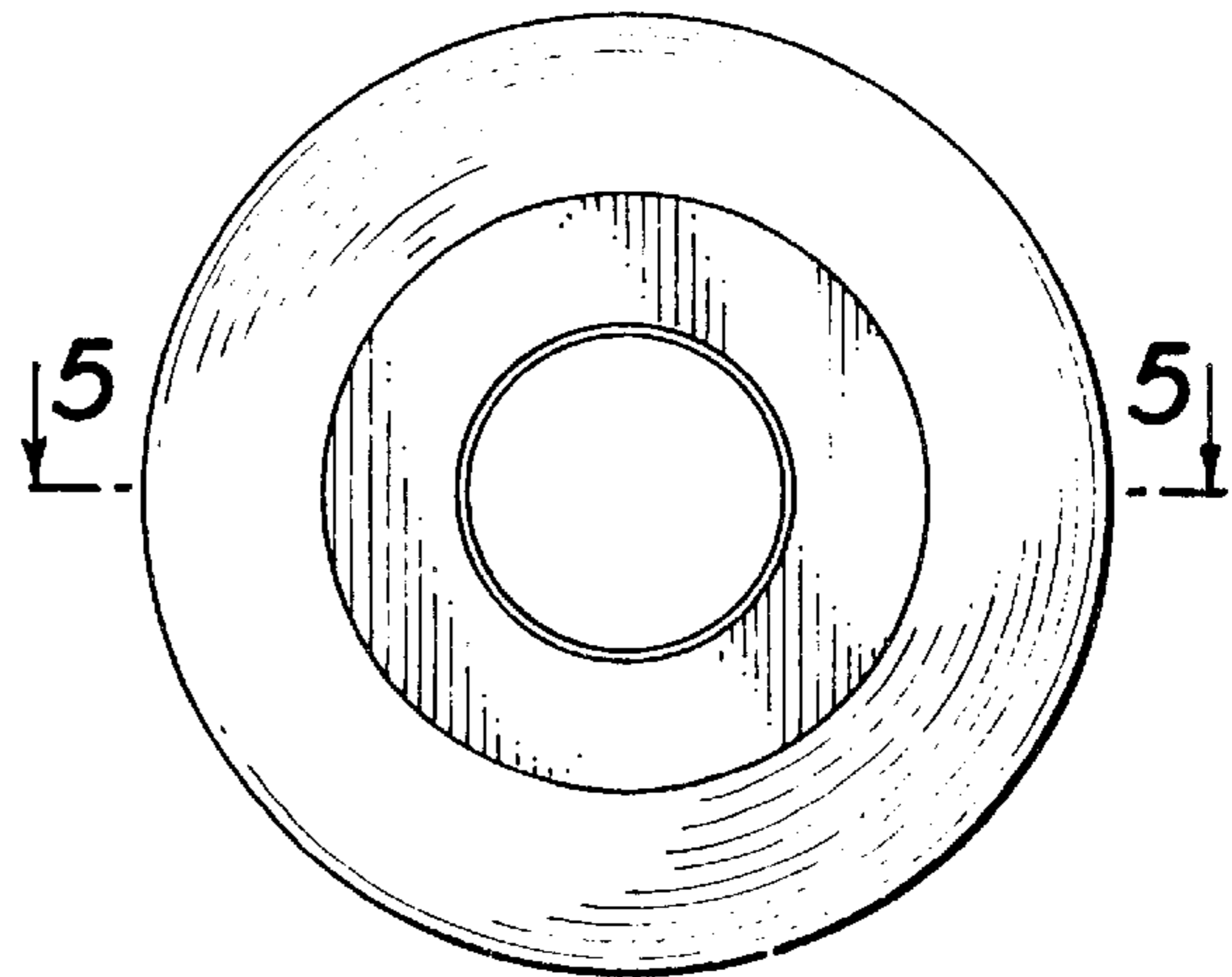


FIG. 4

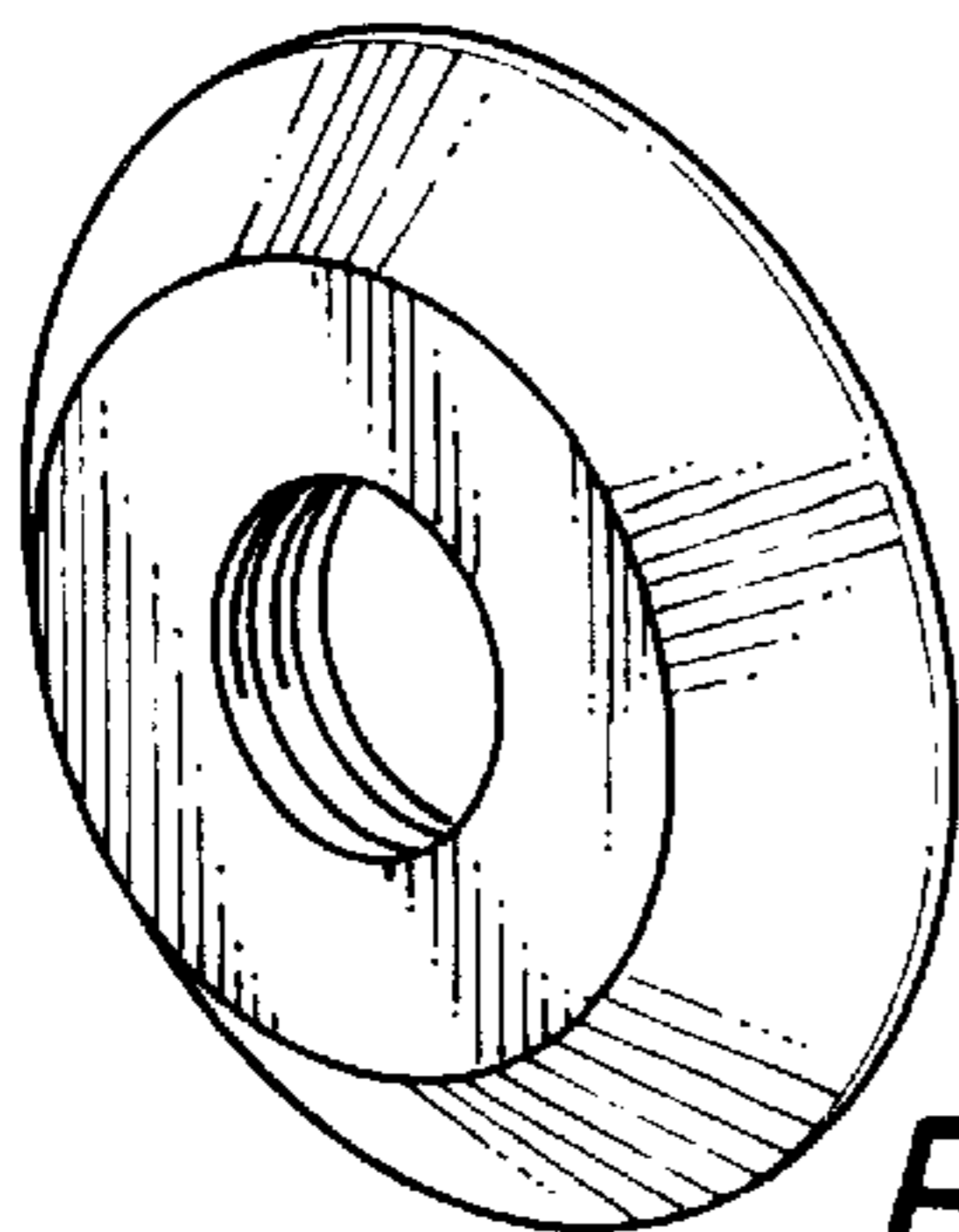


FIG. 6

UNITED STATES PATENT AND TRADEMARK OFFICE  
**CERTIFICATE OF CORRECTION**

PATENT NO. : Des. 401,337 S  
DATED : November 17, 1998  
INVENTOR(S) : Rashman

Page 1 of 1

It is certified that error appears in the above-identified patent and that said Letters Patent is hereby corrected as shown below:

Title page,

Item [57], **DESCRIPTION,**

FIG. 4, please delete "rear" and insert -- front --.

FIG. 6, please delete "thereof" and insert -- of an alternate embodiment thereof in that the lip which appears at the lower end of the side view of figures 3 and 5 has been eliminated. The design elements of the embodiment shown in Figure 6, other than the elimination of the lower lip portion, are identical to the design elements as shown in Figures 1-5. --

Signed and Sealed this

Twenty-second Day of February, 2005

A handwritten signature in black ink on a dotted background. The signature reads "Jon W. Dudas" in a cursive style.

JON W. DUDAS

*Director of the United States Patent and Trademark Office*