



US00D401335S

United States Patent [19]

Koros et al.

[11] Patent Number: Des. 401,335

[45] Date of Patent: **Nov. 17, 1998

[54] **COMBINED CERVICAL AND LUMBAR EXTRACTOR AND INJECTOR SURGICAL INSTRUMENT**

[76] Inventors: **Tibor Koros; Gabriel Koros**, both of 610 Flinn Ave., Moorpark, Calif. 93021

[**] Term: **14 Years**

[21] Appl. No.: **74,147**

[22] Filed: **Jul. 28, 1997**

Related U.S. Application Data

[63] Continuation-in-part of Ser. No. 34,391, Feb. 3, 1995, Pat. No. Des. 381,746.

[51] **LOC (6) Cl.** **24-02**

[52] **U.S. Cl.** **D24/133**

[58] **Field of Search** D24/133, 135, D24/146, 140; 606/96, 80, 79, 72

[56] References Cited

U.S. PATENT DOCUMENTS

- D. 272,854 2/1984 Witte et al. D24/140
- D. 357,534 4/1995 Hayes D24/140
- 3,486,505 12/1969 Morrison D24/135 X

- 4,907,577 3/1990 Wu 606/96 X
- 5,363,841 11/1994 Coker D24/135 X
- 5,423,826 6/1995 Coates et al. 606/96
- 5,489,307 2/1996 Kuslich et al. 606/96 X
- 5,514,144 5/1996 Bolton 606/96
- 5,531,751 7/1996 Schultheiss et al. 606/96

Primary Examiner—Pamela Burgess
Attorney, Agent, or Firm—Richard D. Slehofer

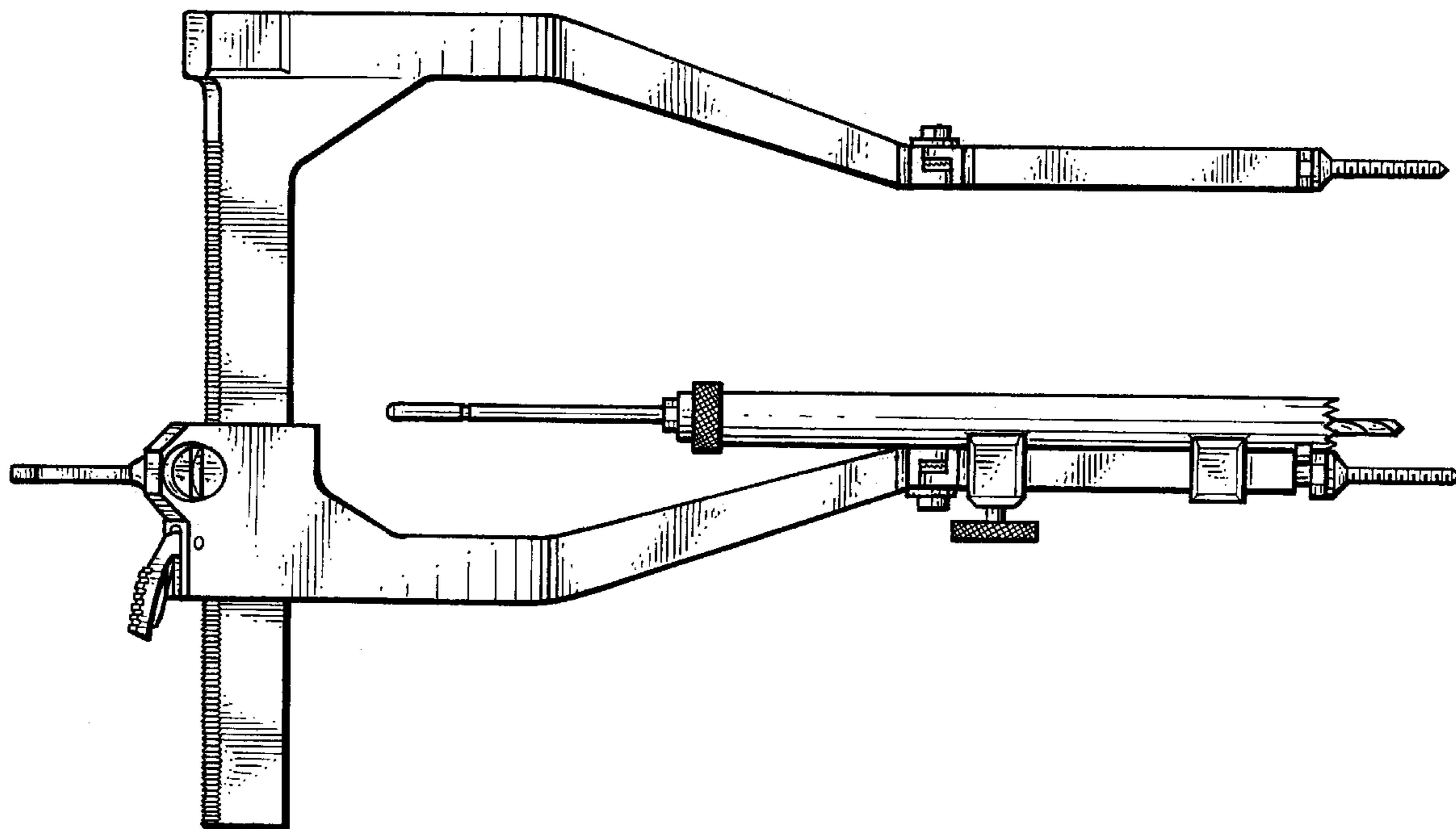
[57] CLAIM

The ornamental design for a combined cervical and lumbar extractor and injector surgical instrument, as shown and described.

DESCRIPTION

FIG. 1 is a front elevational view of a combined cervical and lumbar extractor and injector surgical instrument showing our new design;
 FIG. 2 is a right side elevational view thereof;
 FIG. 3 is a rear elevational view thereof;
 FIG. 4 is a left side elevational view thereof;
 FIG. 5 is a top plan view thereof;
 FIG. 6 is a bottom plan view thereof;
 FIG. 7 is an alternate view similar to FIG. 2; and,
 FIG. 8 is an alternate view similar to FIG. 2.

1 Claim, 3 Drawing Sheets



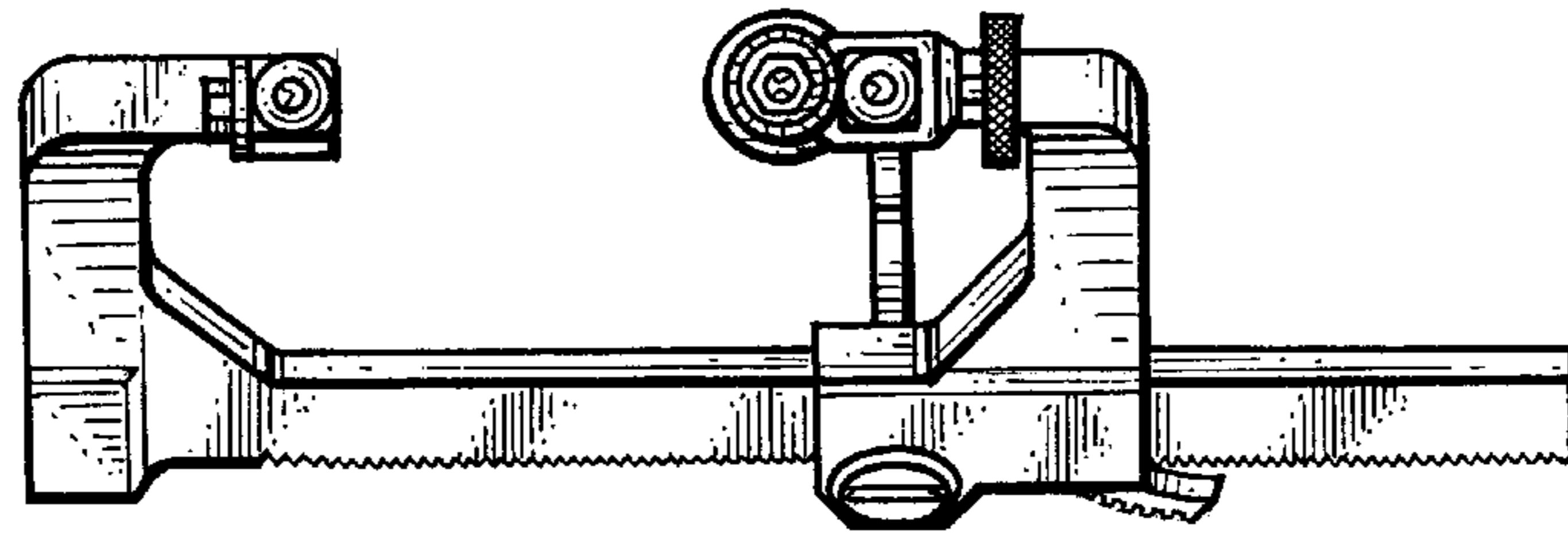


Fig. 1.

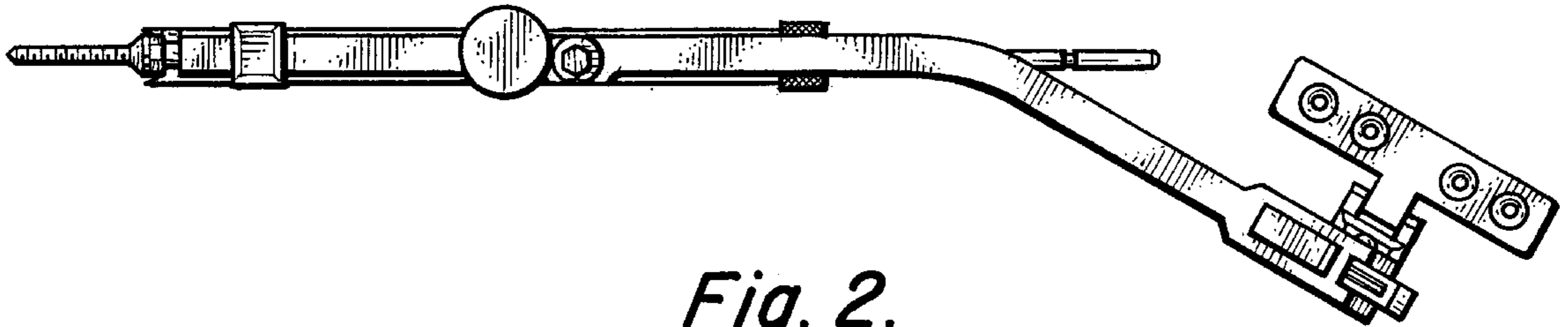


Fig. 2.

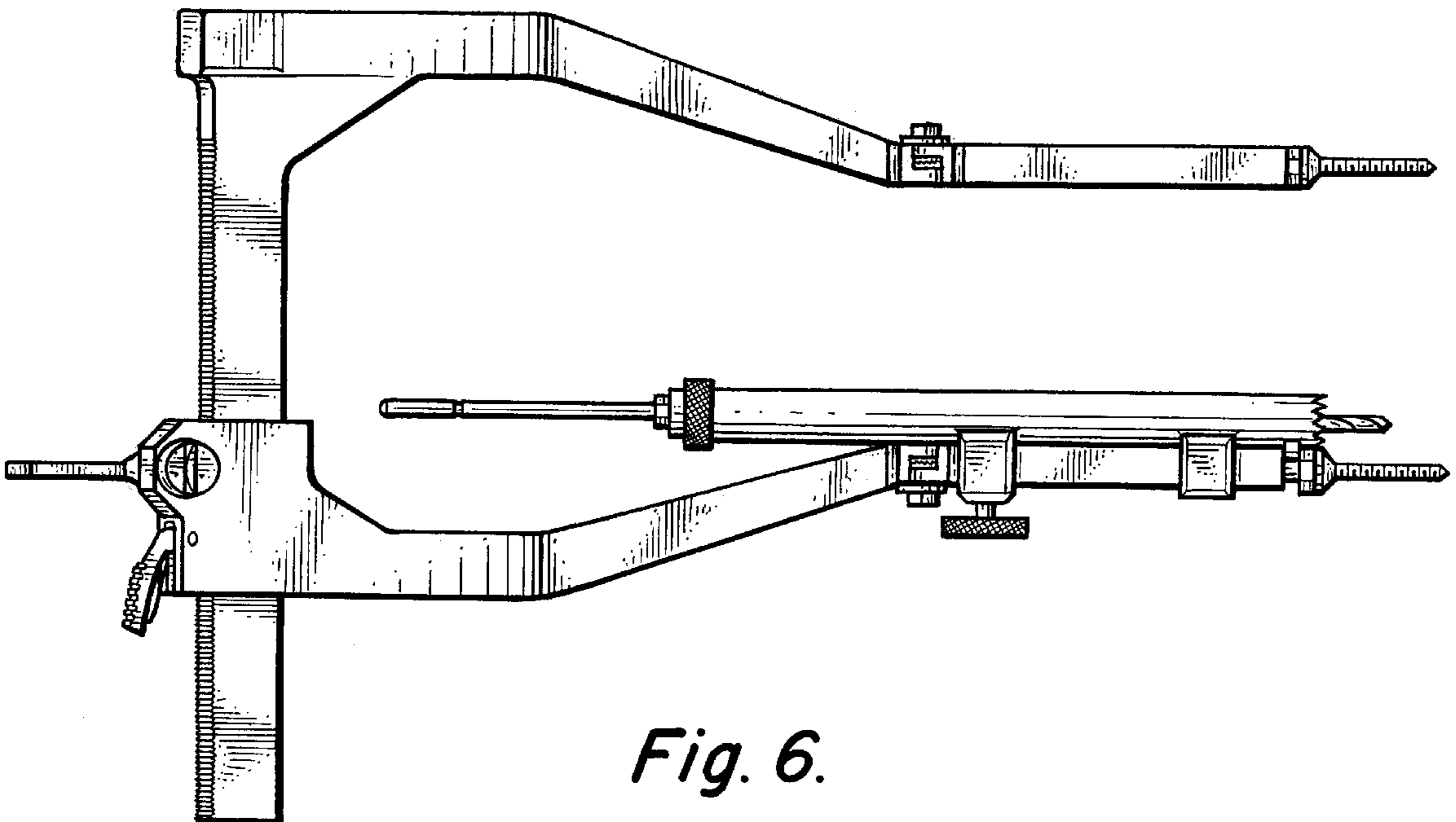


Fig. 6.

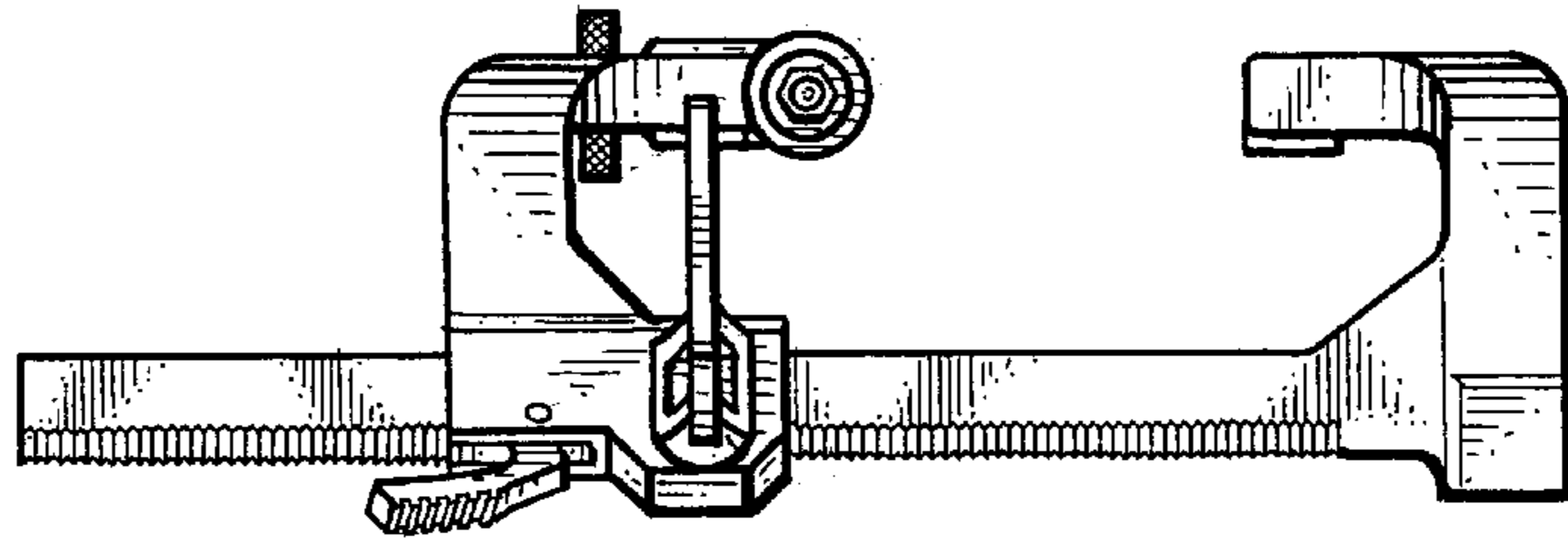


Fig. 3.

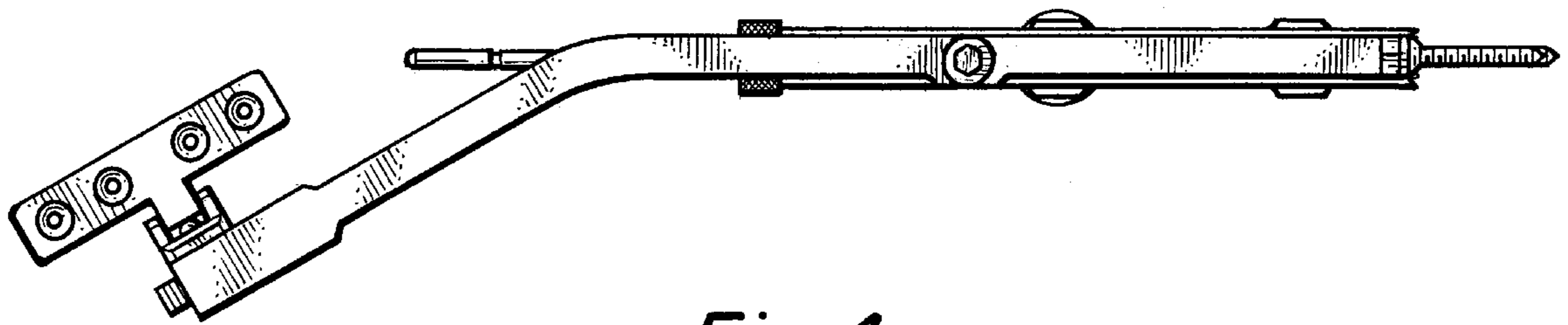


Fig. 4.

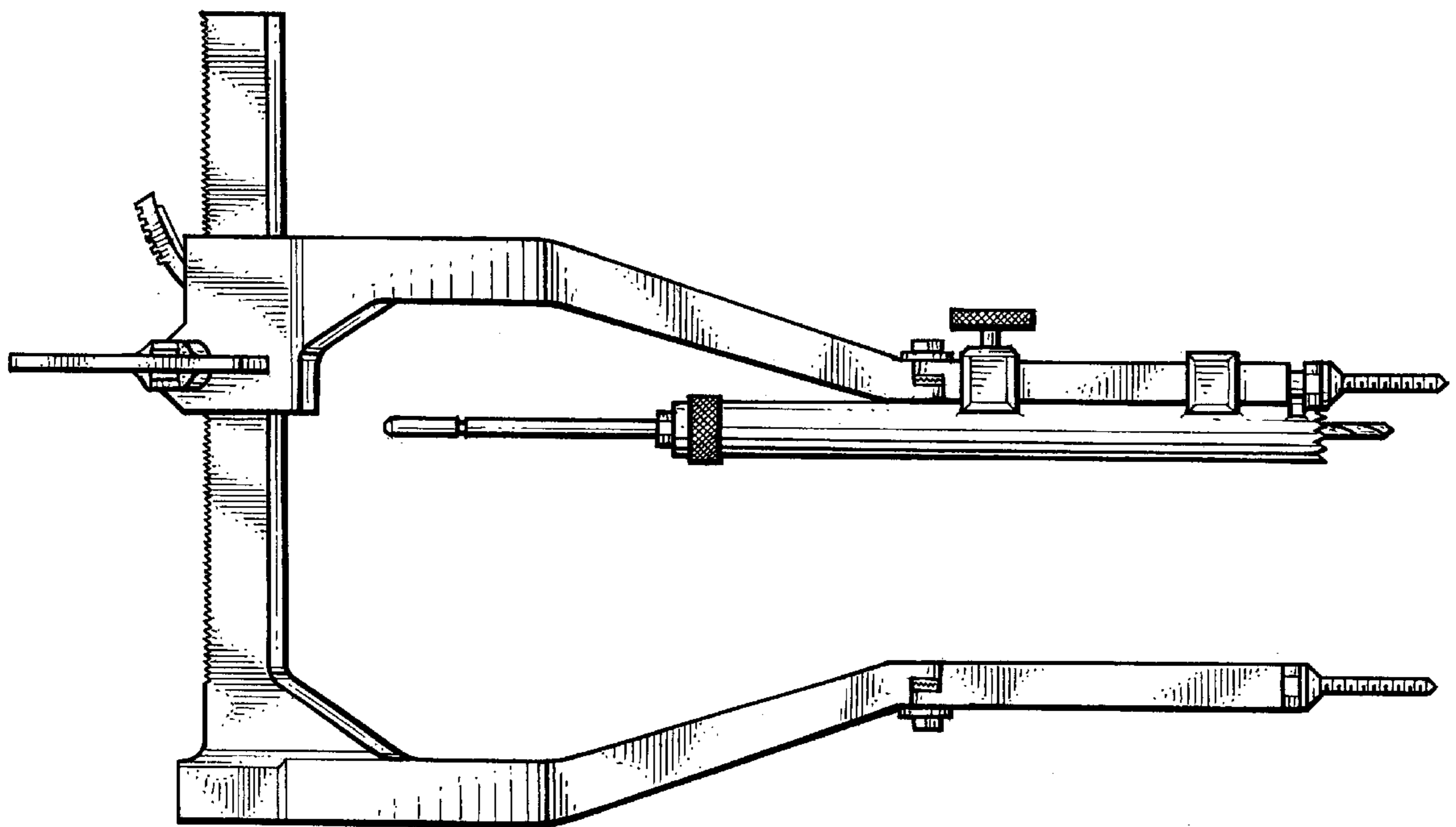


Fig. 5.

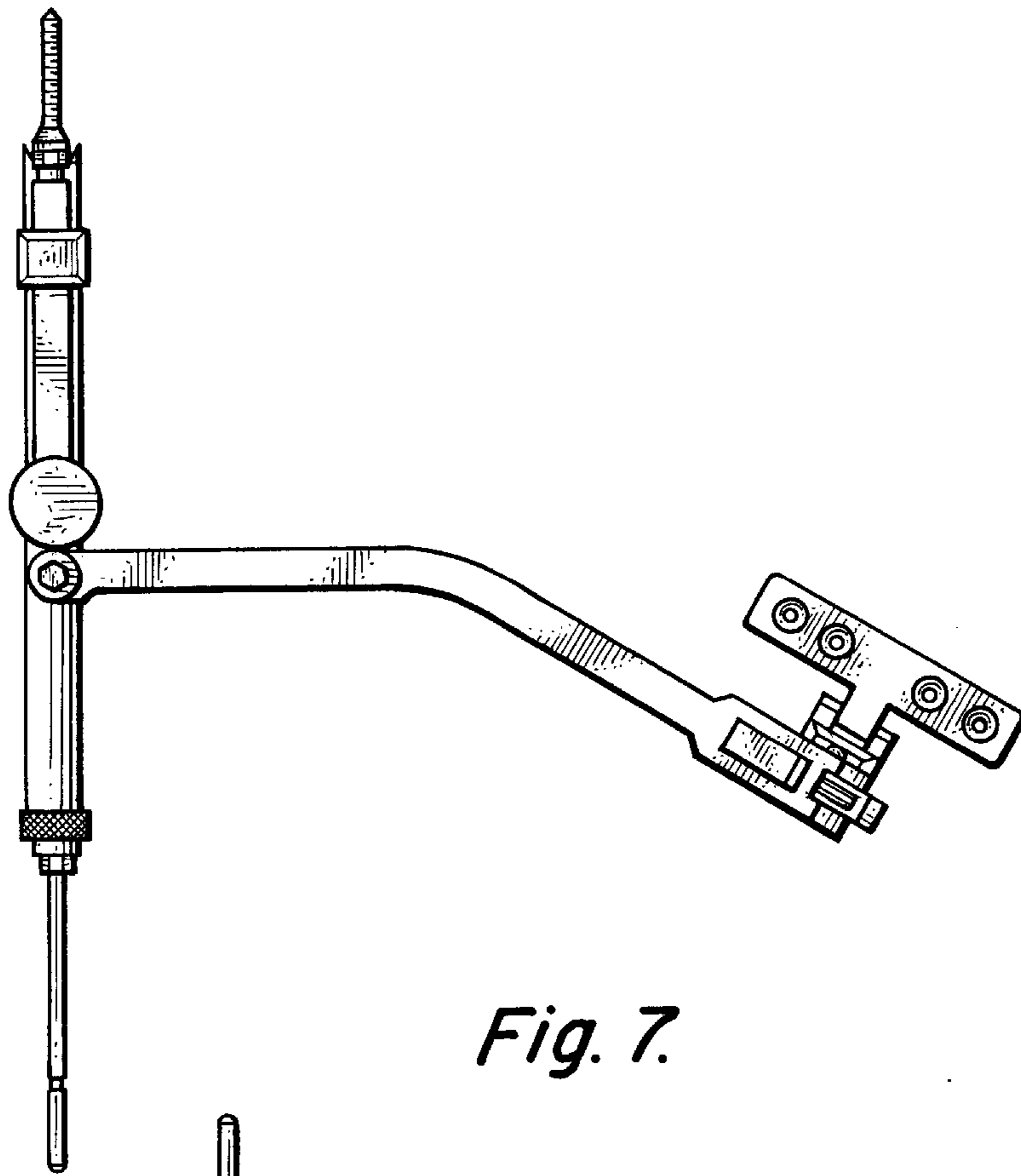


Fig. 7.

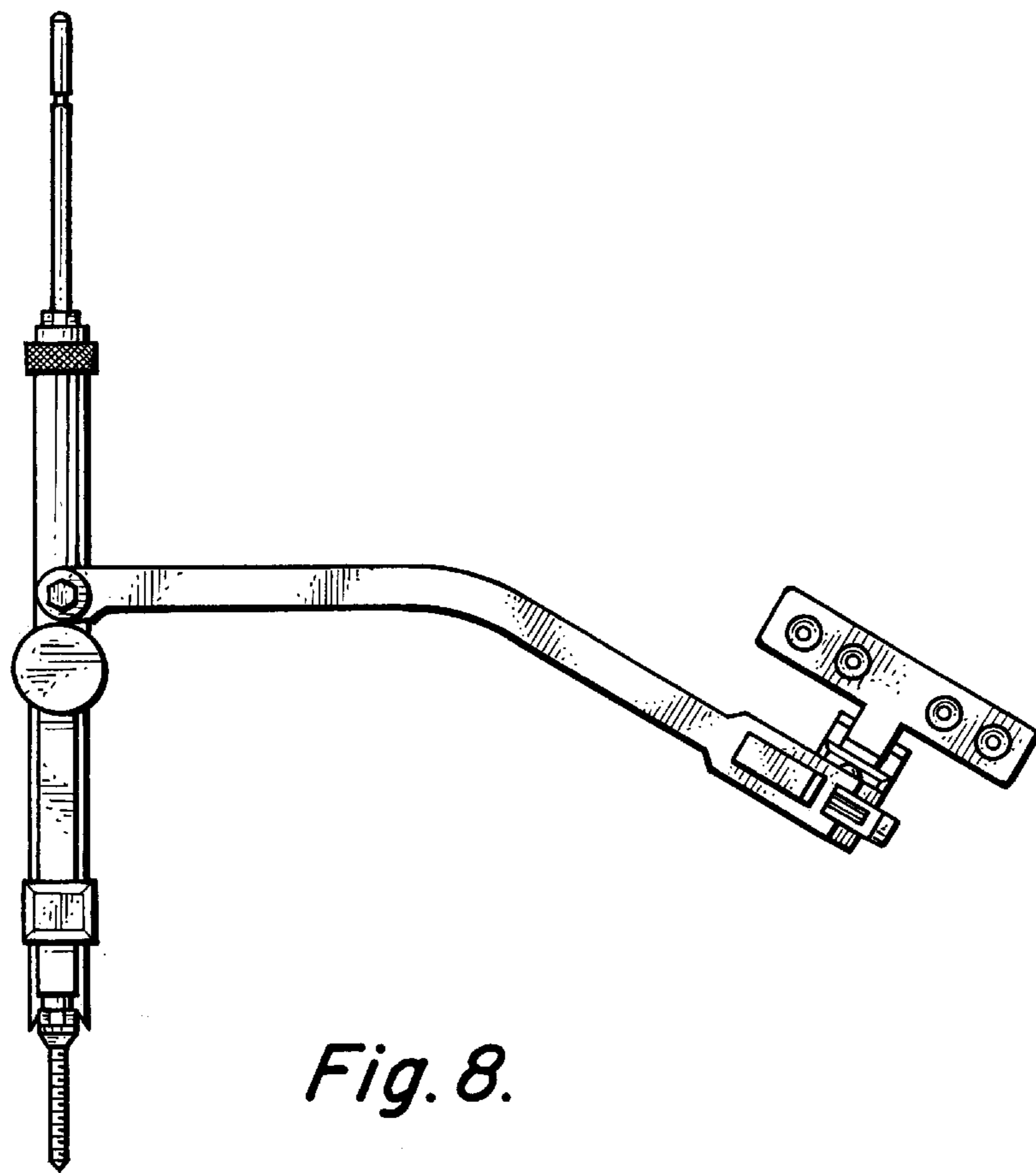


Fig. 8.