



US00D401332S

United States Patent [19]

Picha et al.

[11] **Patent Number: Des. 401,332**

[45] **Date of Patent: **Nov. 17, 1998**

[54] **DECOMPRESSION TUBE**

[75] Inventors: **George J. Picha**, Independence; **J. Timothy Austin**, Concord; **Kurt Mulhauser**, Painesville Township, all of Ohio

[73] Assignee: **Applied Medical Technology, Inc.**, Independence, Ohio

[**] Term: **14 Years**

[21] Appl. No.: **58,704**

[22] Filed: **Aug. 21, 1996**

[51] **LOC (6) Cl.** **24-01**

[52] **U.S. Cl.** **D24/129; D24/231**

[58] **Field of Search** D24/107, 108, D24/112, 127, 133, 141, 129, 147, 231; D23/266, 262, 259, 268; 285/179; 604/93, 73, 36, 27, 104, 264, 280; 433/12, 22

[56] **References Cited**

U.S. PATENT DOCUMENTS

D. 173,385	11/1954	Preger et al.	D24/141
D. 323,887	2/1992	Picha et al.	D24/108
D. 328,787	8/1992	Picha et al.	D24/108
1,471,785	10/1923	Fernald	433/12
3,453,734	7/1969	Rubin	433/22
3,854,477	12/1974	Smith	604/93
4,863,438	9/1989	Gauderer et al.	604/247
5,037,379	8/1991	Clayman et al.	604/27
5,074,867	12/1991	Wilk	604/93

FOREIGN PATENT DOCUMENTS

834927 3/1952 Germany 285/179

OTHER PUBLICATIONS

Aloe Medical Instruments Diagnostic/Surgical Cat. No. 220, p. 134, Operating Fin, third from top, Jan. 1966.

Primary Examiner—Louis S. Zarfes
Assistant Examiner—G. Albert Andoll
Attorney, Agent, or Firm—Pearne, Gordon, McCoy and Granger LLP

[57] **CLAIM**

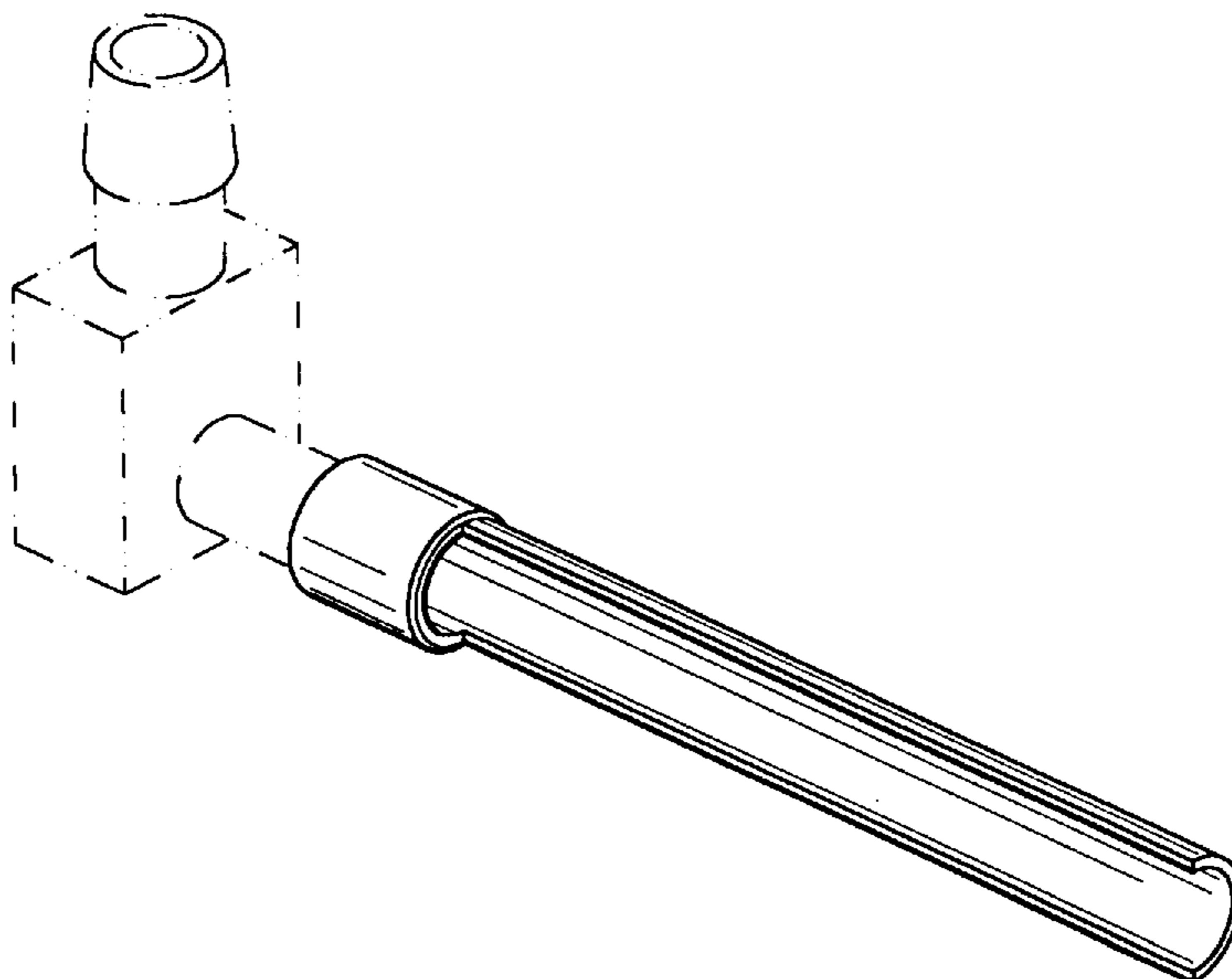
The ornamental design for a decompression tube, as shown and described.

DESCRIPTION

FIG. 1 is an isometric view of a decompression tube, showing our new design;
FIG. 2 is a front elevational view thereof;
FIG. 3 is a right end view thereof;
FIG. 4 is a top view thereof;
FIG. 5 is a bottom view thereof;
FIG. 6 is a left end view thereof along the 6—6 in FIG. 5; and,
FIG. 7 is a rear elevational view thereof.

The broken line showing the connector in FIGS. 1 through 5 and 7 is for illustrative purposes only and forms no part of the claimed design.

1 Claim, 1 Drawing Sheet



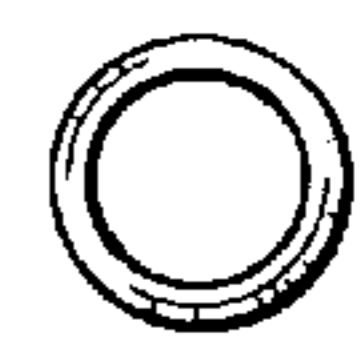
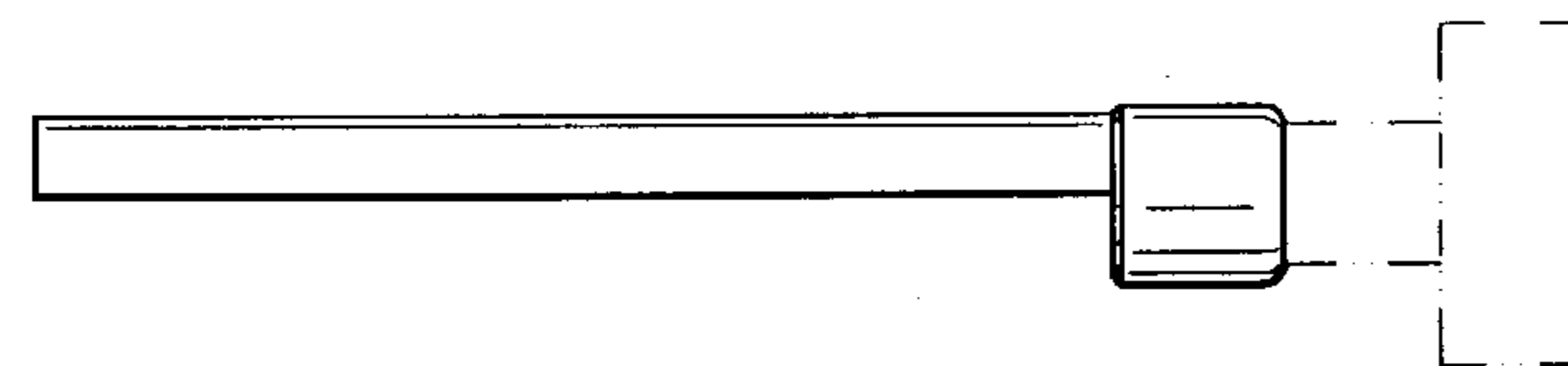
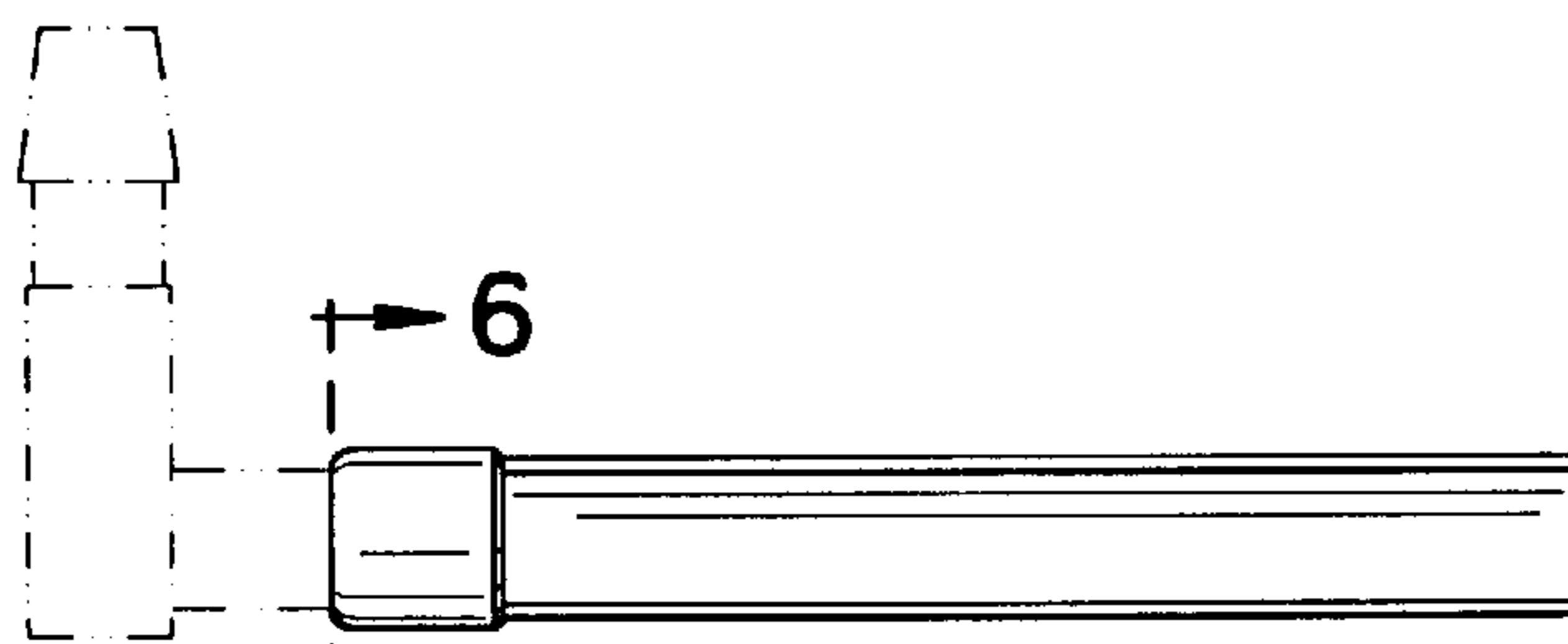
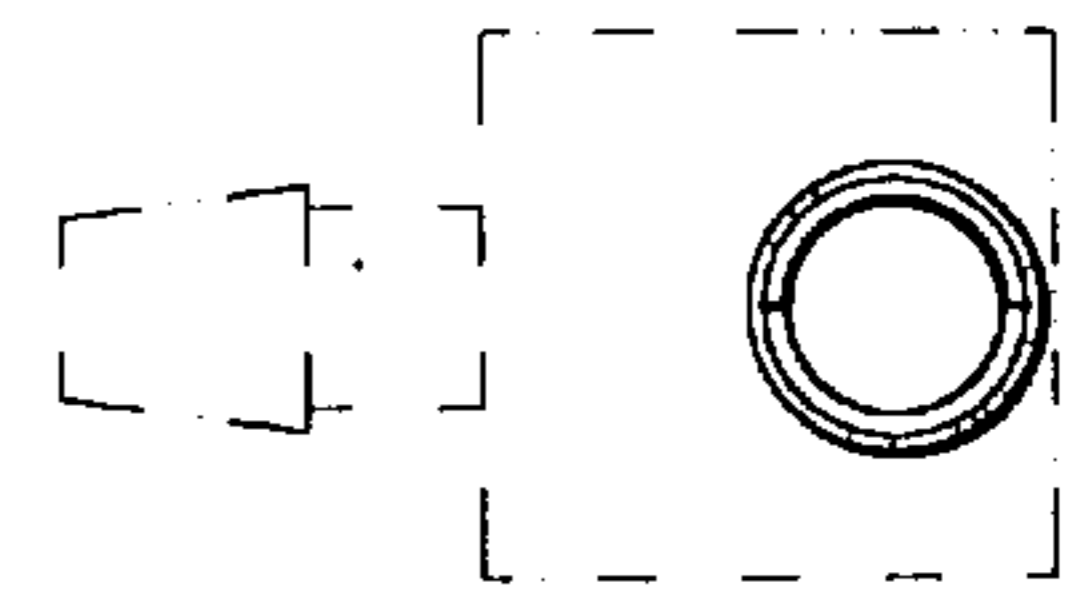
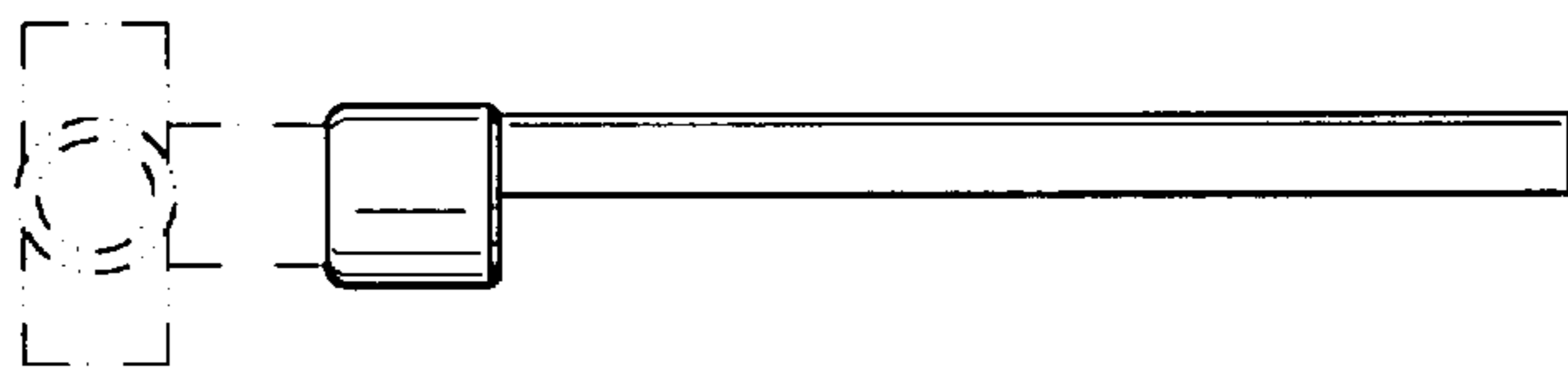
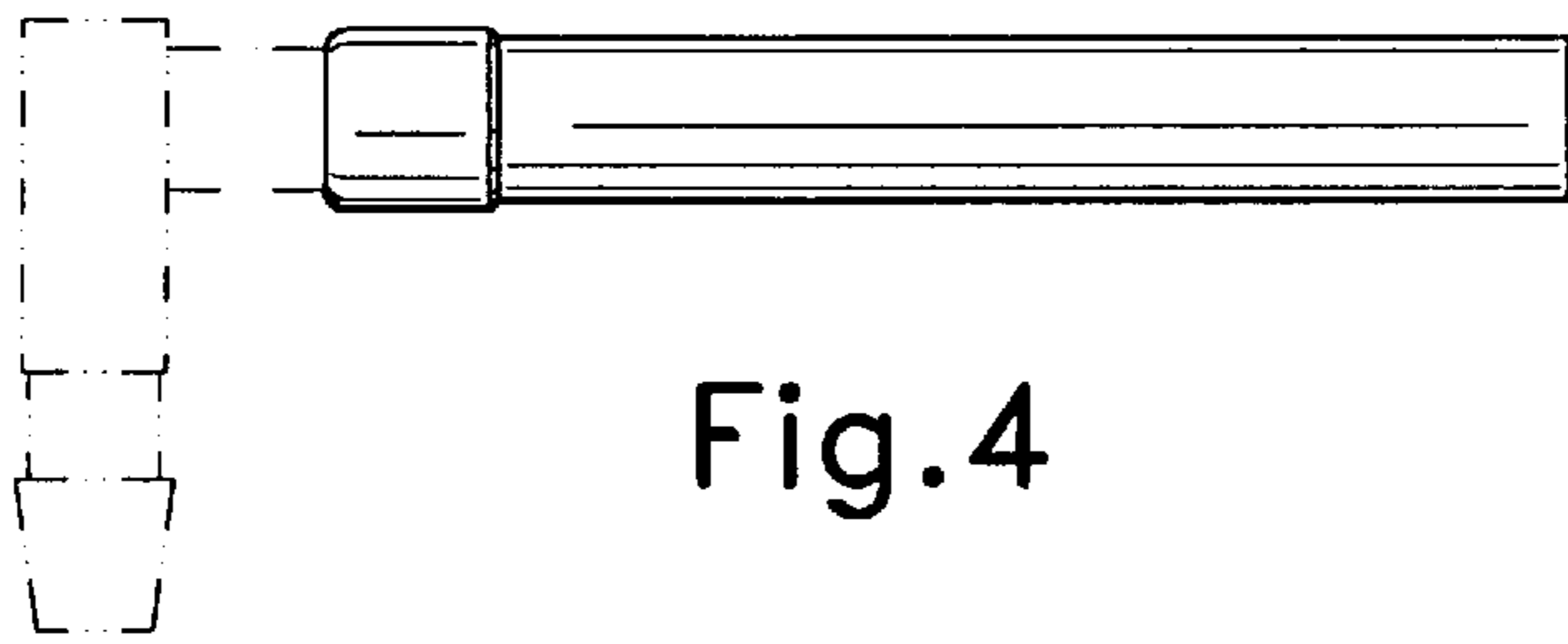
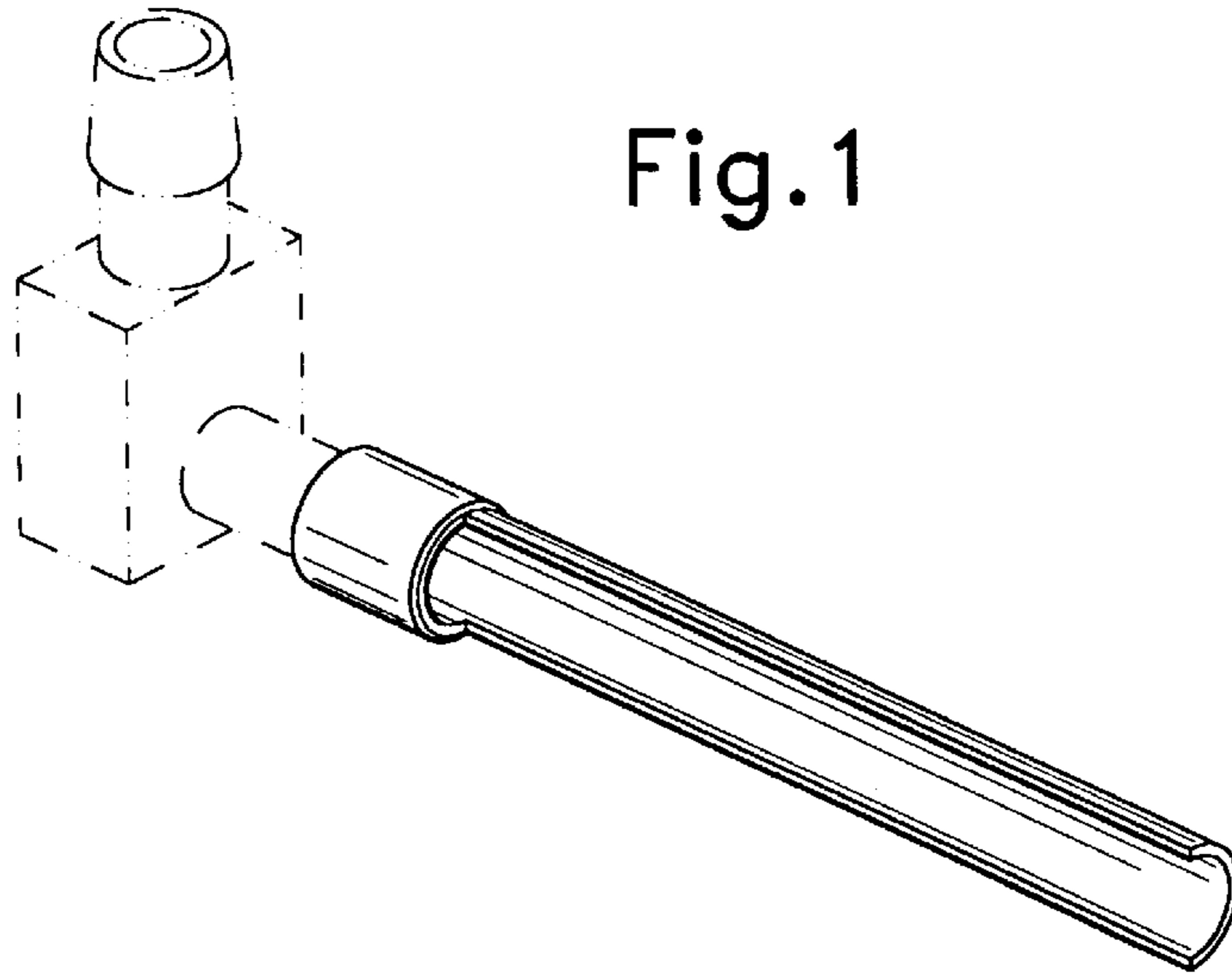


Fig. 7

Fig. 6