



US00D401325S

United States Patent [19]

Hjertman et al.

[11] **Patent Number: Des. 401,325**

[45] **Date of Patent: **Nov. 17, 1998**

[54] **SYRINGE**

[75] Inventors: **Birger Hjertman**, Vällingby; **Rudolf Cseke**, Sollentuna; **Hans Himbert**, Bromma; **Stanley Sommarlund**, Hudding, all of Sweden

[73] Assignee: **Pharmacia & Upjohn AB**, Stockholm, Sweden

[**] Term: **14 Years**

[21] Appl. No.: **84,855**

[22] Filed: **Mar. 12, 1998**

D. 378,406	3/1997	Kugler	D24/114
D. 383,205	9/1997	Pagay et al.	D24/112
2,695,612	11/1954	Fields	.	
2,902,995	9/1959	Loper	.	
3,212,685	10/1965	Swan et al.	.	
3,742,949	7/1973	Hill	.	

Primary Examiner—Susan J. Lucas
Assistant Examiner—Cynthia E. Ramirez
Attorney, Agent, or Firm—Young & Thompson

[57] CLAIM

The ornamental design for a syringe, as shown and described.

Related U.S. Application Data

[62] Division of Ser. No. 76,094, Sep. 5, 1997.

[30] Foreign Application Priority Data

Mar. 7, 1997 [SE] Sweden 97-0560

[51] **LOC (6) Cl.** **24-02**

[52] **U.S. Cl.** **D24/114**

[58] **Field of Search** D24/111, 112, D24/130, 114, 113; 604/110, 210, 221, 214, 240, 264, 222, 223, 224, 232, 187, 228, 218, 181, 191, 192, 193, 198, 203; 222/561, 562, 563

DESCRIPTION

FIG. 1 is a top and front perspective view of a syringe, with the piston pulled out in its highest position showing our new design;

FIG. 2 is a right side elevational view thereof, the opposite side being identical thereto;

FIG. 3 is a front elevational view thereof;

FIG. 4 is a top and front perspective view thereof, with the piston pushed down in its lowest position;

FIG. 5 is a front elevational view thereof;

FIG. 6 is a right side elevational view thereof, the opposite side being identical thereto; and,

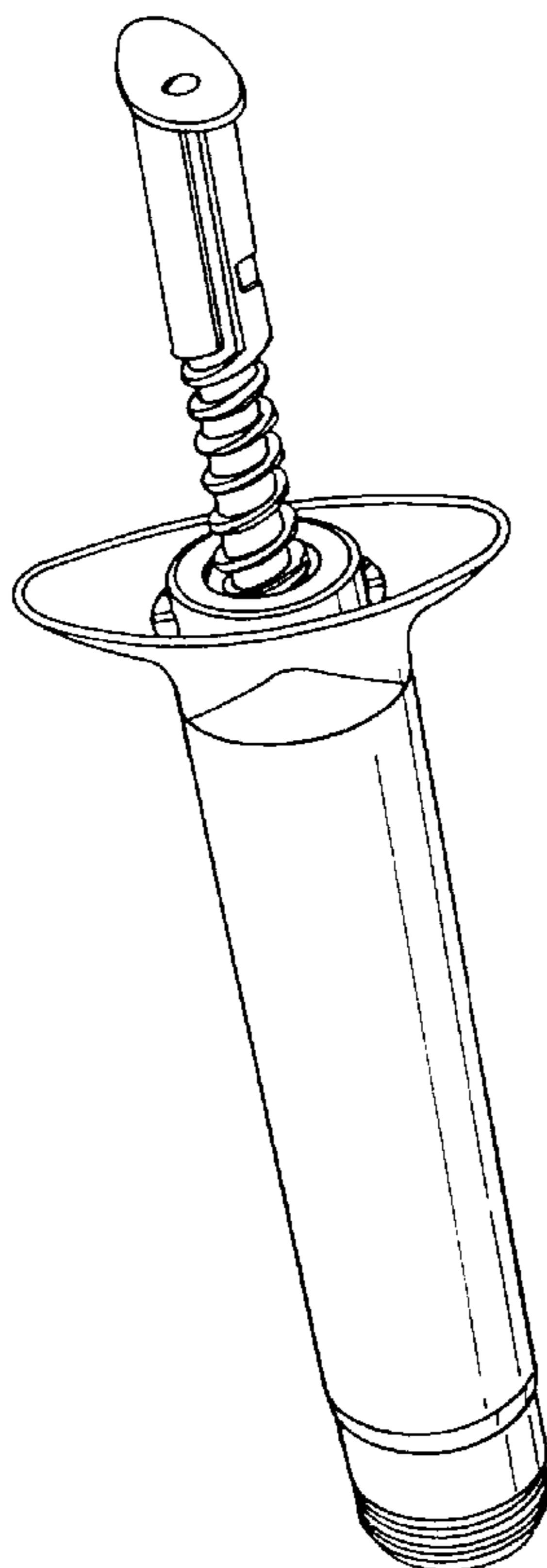
FIG. 7 is a bottom plan view thereof.

[56] References Cited

U.S. PATENT DOCUMENTS

D. 174,985 6/1955 Fields et al. D24/114

1 Claim, 2 Drawing Sheets



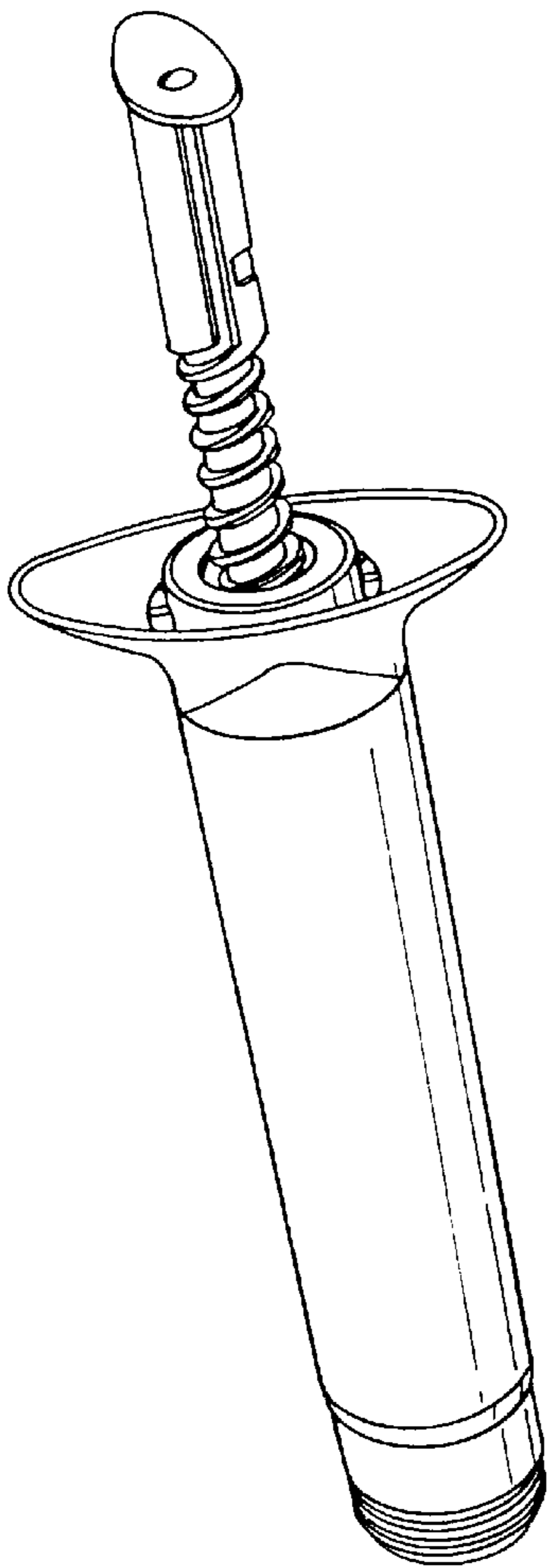


FIG. 1

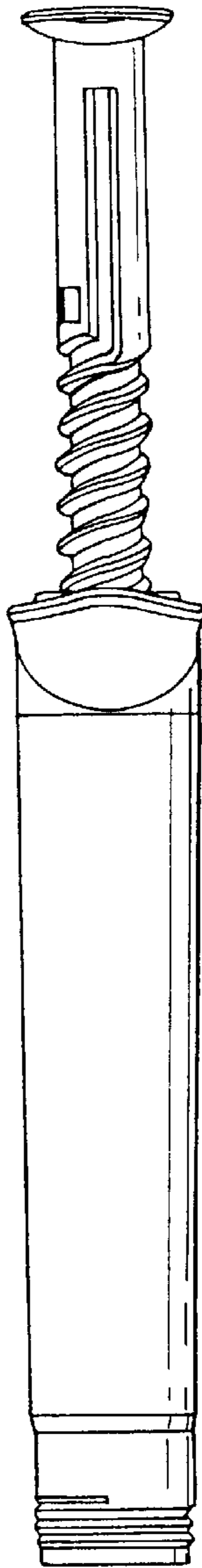


FIG. 2

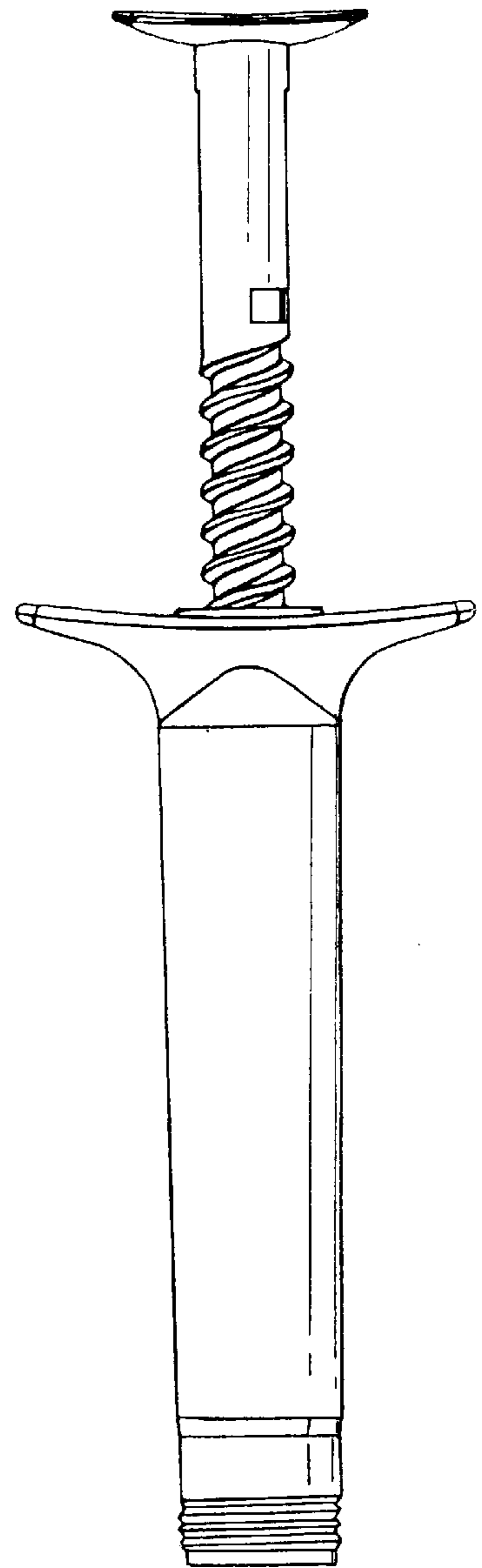


FIG. 3

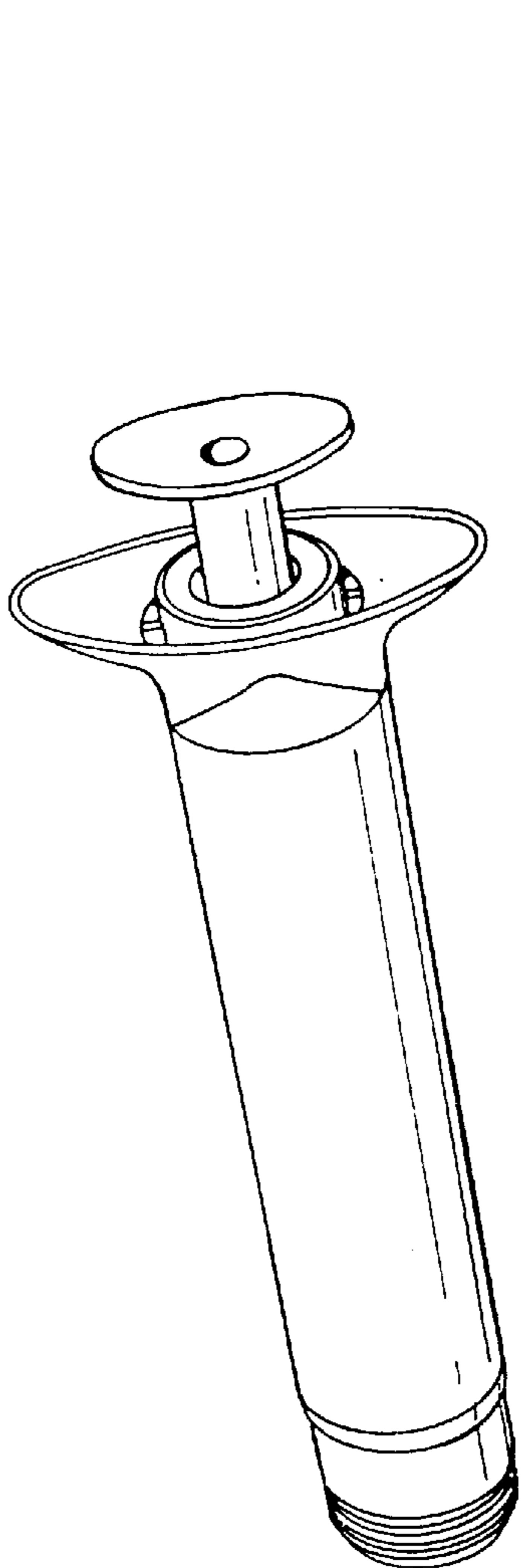


FIG. 4

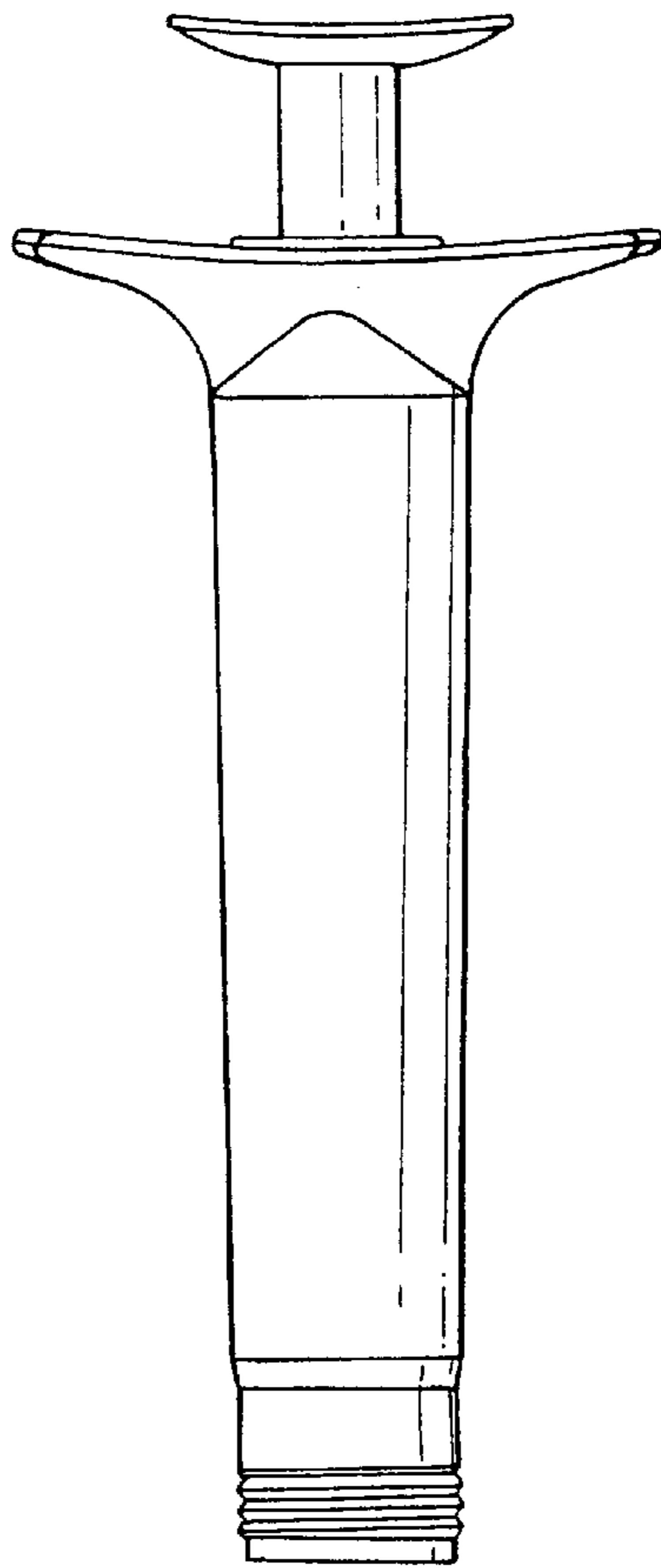


FIG. 5

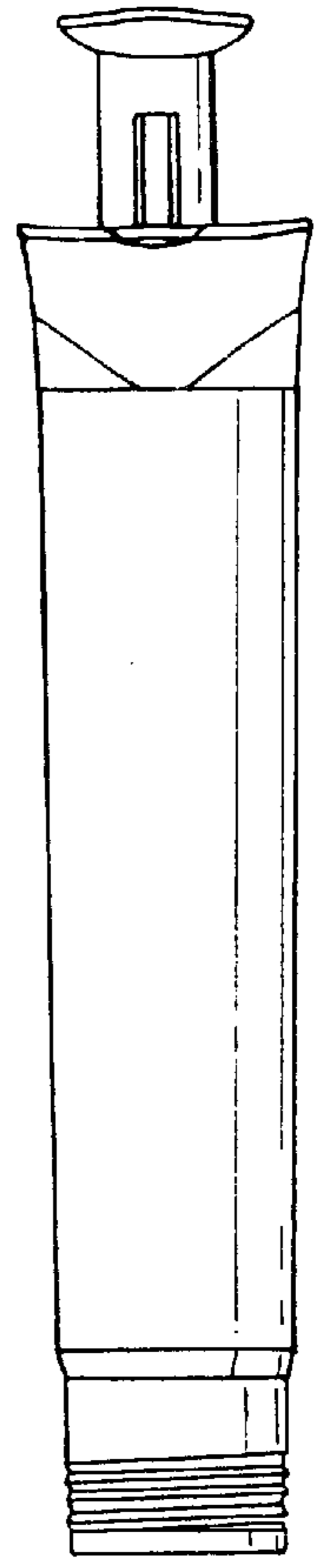


FIG. 6

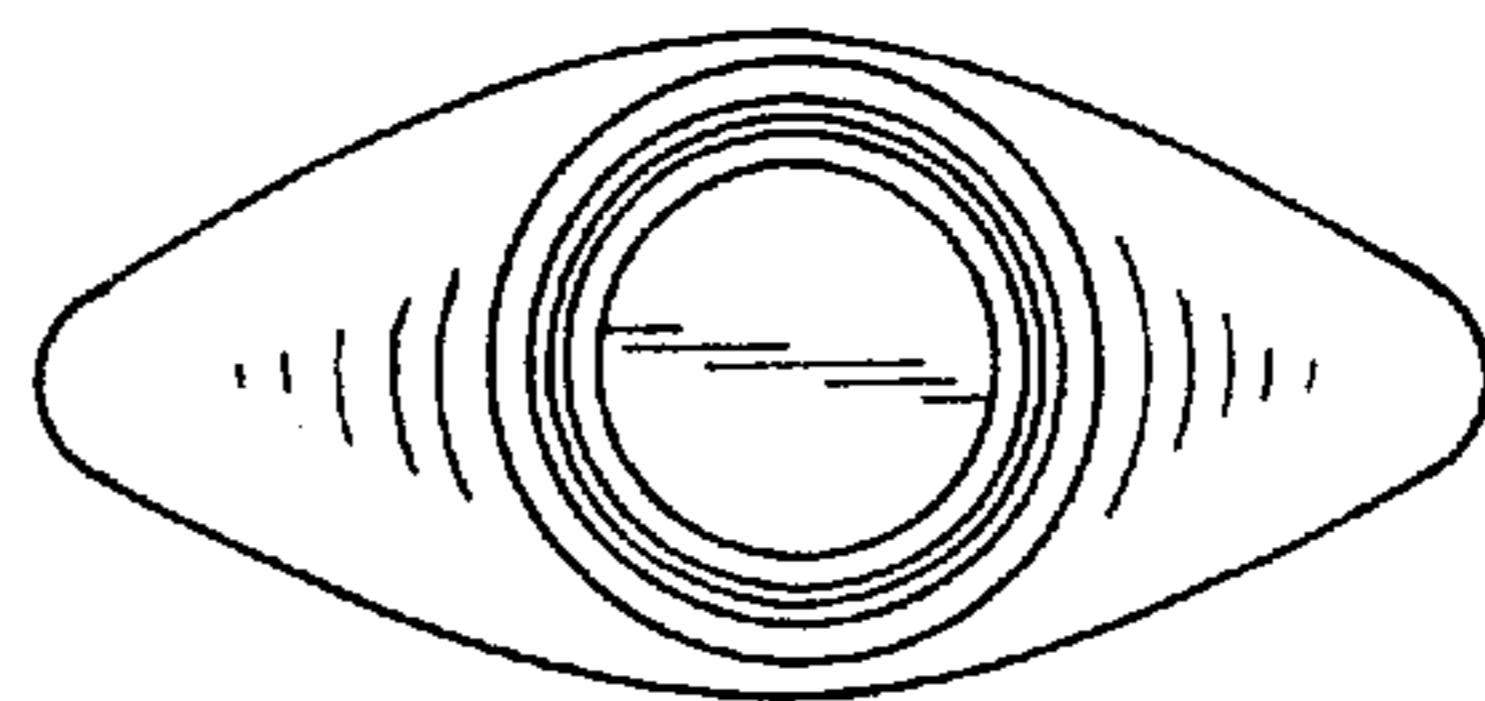


FIG. 7