



US00D401324S

United States Patent [19]
Hjertman et al.

[11] **Patent Number: Des. 401,324**
[45] **Date of Patent: **Nov. 17, 1998**

[54] **SYRINGE**

[75] Inventors: **Birger Hjertman**, Vällingby; **Rudolf Cseke**, Sollentuna; **Hans Himbert**, Bromma; **Stanley Sommarlund**, Huddinge, all of Sweden

[73] Assignee: **Pharmacia & Upjohn AB**, Stockholm, Sweden

[**] Term: **14 Years**

[21] Appl. No.: **76,054**

[22] Filed: **Sep. 5, 1997**

[30] **Foreign Application Priority Data**

Mar. 7, 1997 [SE] Sweden 97-0560

[51] **LOC (6) Cl.** **24-02**

[52] **U.S. Cl.** **D24/114**

[58] **Field of Search** D24/111, 112, D24/130, 114, 113; 604/110, 220, 221, 214, 240, 264, 222, 223, 224, 232, 187, 228, 218, 191, 192, 193, 198, 203; 222/561, 562, 563

[56] **References Cited**

U.S. PATENT DOCUMENTS

D. 174,985 6/1955 Fields et al. D24/114
D. 377,687 1/1997 Udovch D24/114

D. 378,406 3/1997 Kugler D24/114
D. 383,205 9/1997 Pagay et al. D24/112
1,453,418 5/1923 Tessmer .
2,695,612 11/1954 Fields .
2,902,995 9/1959 Loper .
3,212,685 10/1965 Swan et al. .
3,290,946 12/1966 Pursell .
4,326,540 4/1982 Bailey et al. 604/222

Primary Examiner—Susan J. Lucas
Assistant Examiner—Cynthia E. Ramirez
Attorney, Agent, or Firm—Young & Thompson

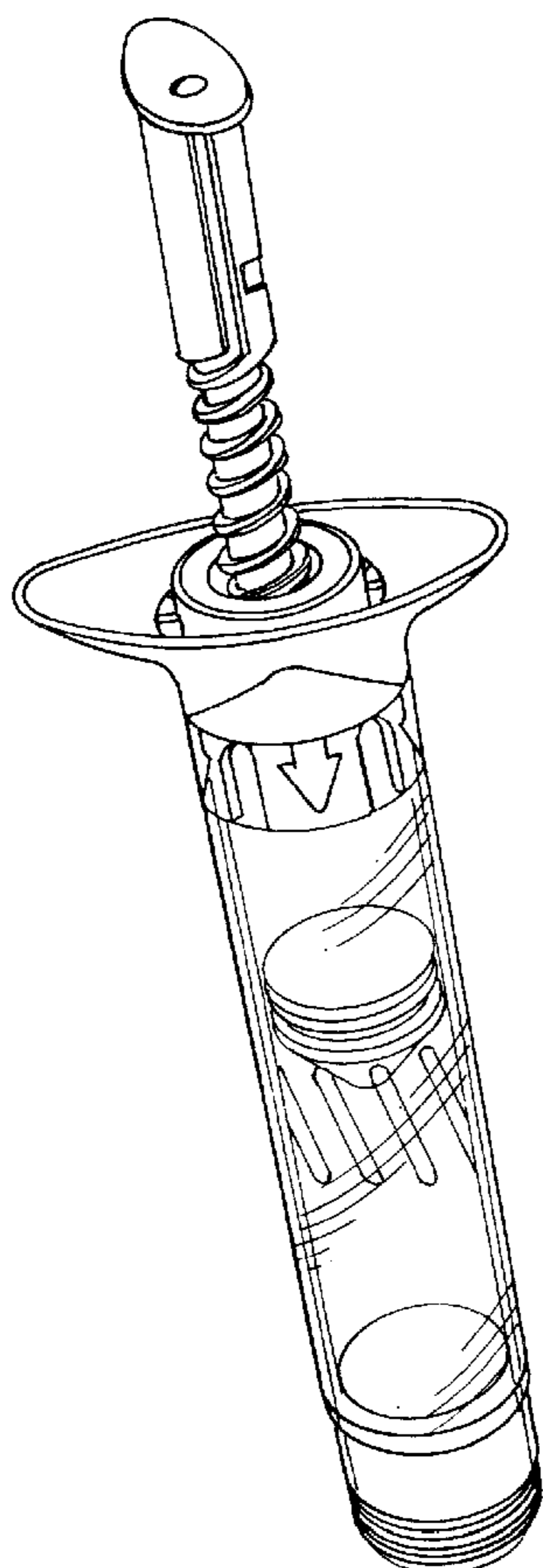
[57] **CLAIM**

The ornamental design for a syringe, as shown and described.

DESCRIPTION

FIG. 1 is a top and front perspective view of a syringe, with the piston pulled out in its highest position, showing our new design;
FIG. 2 is a right side elevational view thereof, the opposite side being identical thereto;
FIG. 3 is a front elevational view thereof;
FIG. 4 is a top and front perspective view thereof, with the piston pushed down in its lowest position;
FIG. 5 is a front elevational view thereof;
FIG. 6 is a right side elevational view thereof, the opposite side being identical thereto; and,
FIG. 7 is a bottom plan view thereof.

1 Claim, 2 Drawing Sheets



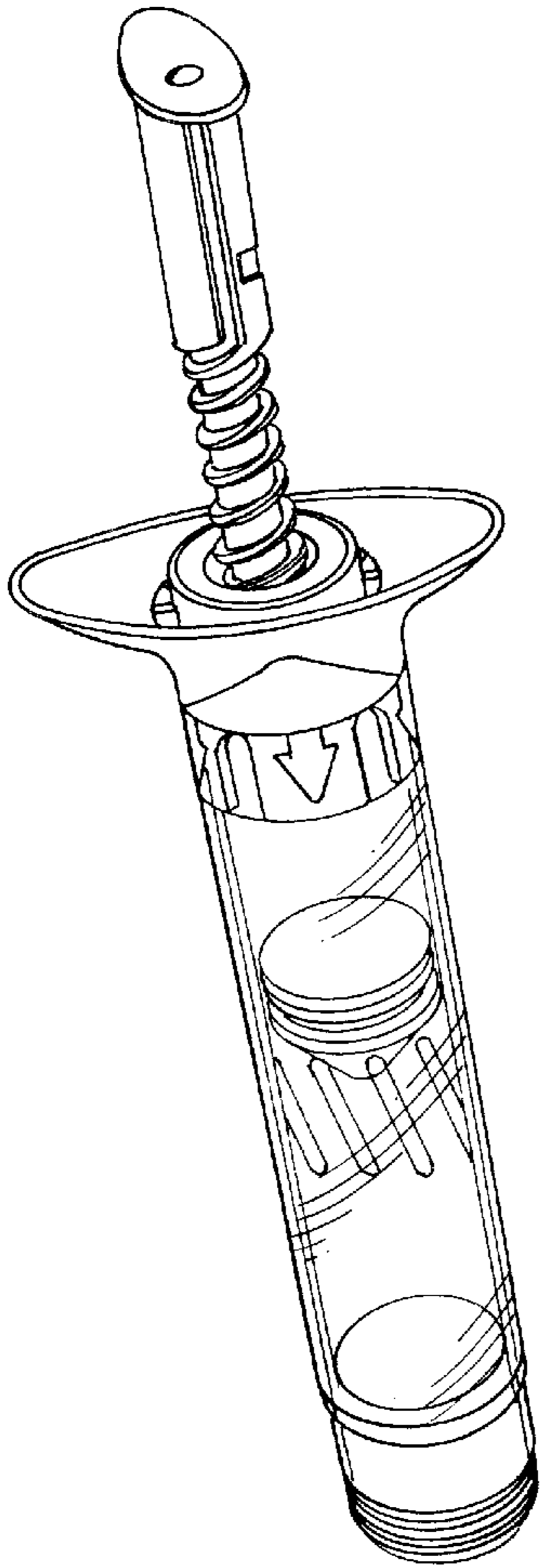


FIG. 1

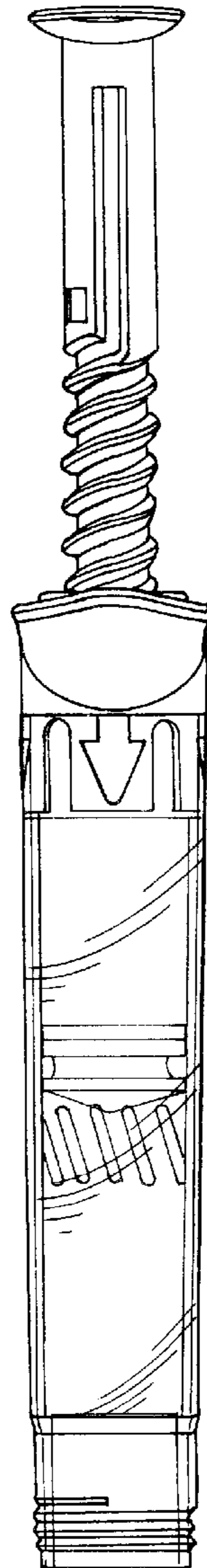


FIG. 2

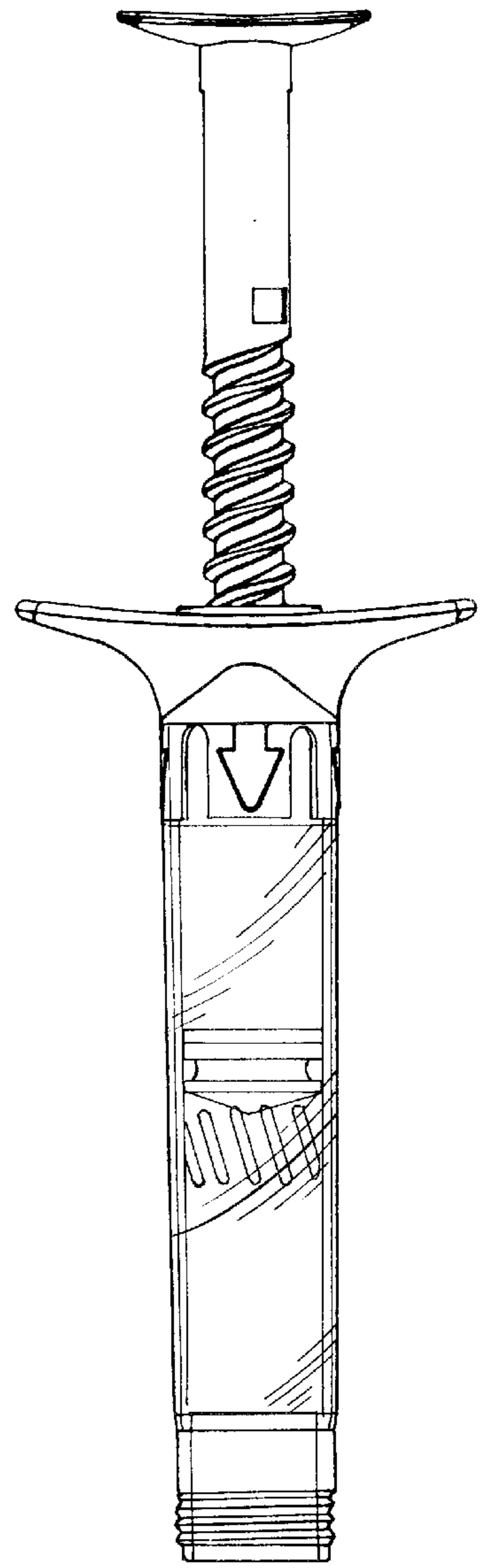


FIG. 3

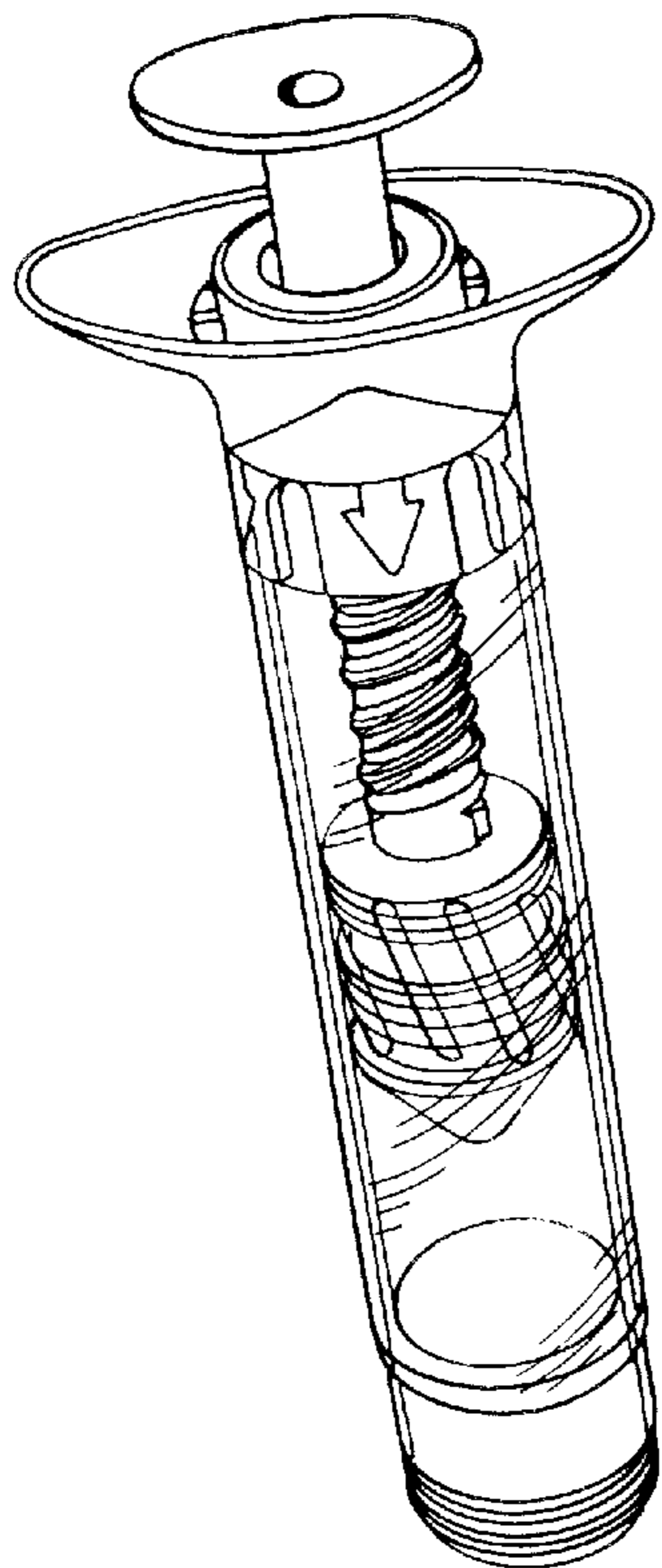


FIG. 4

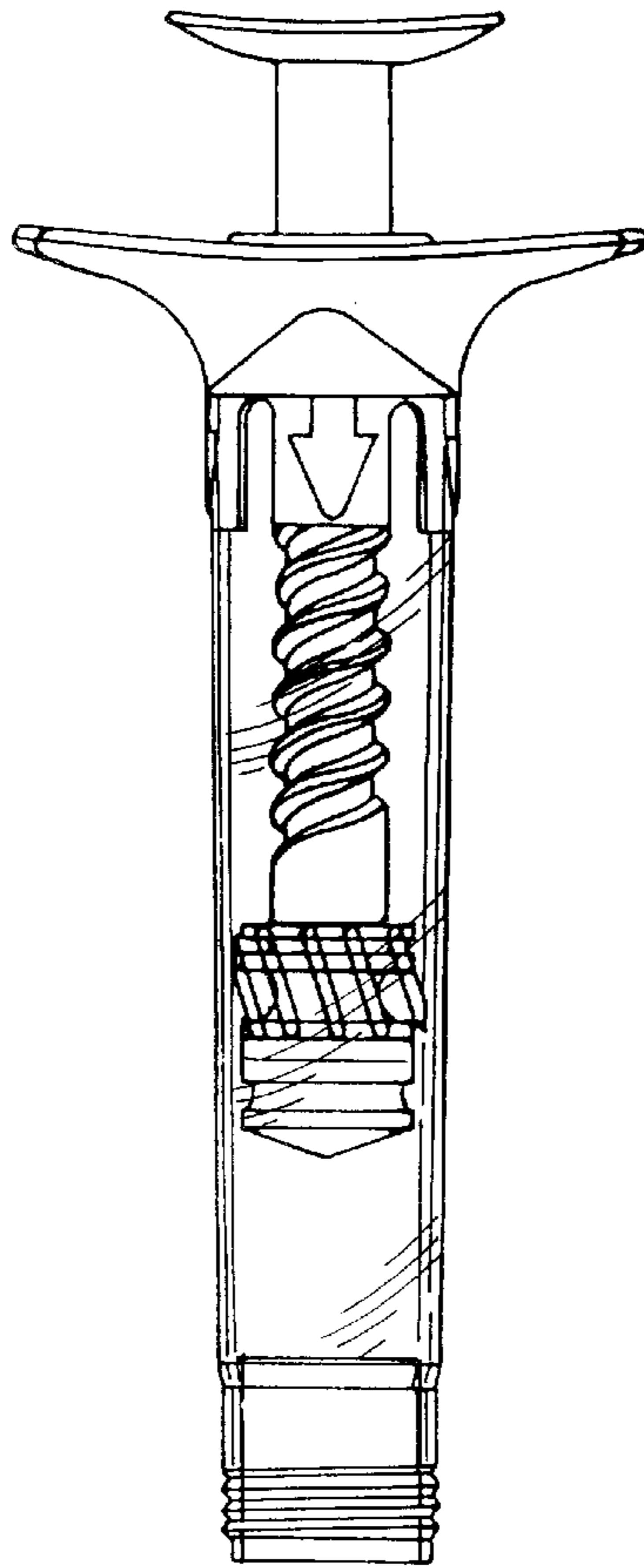


FIG. 5

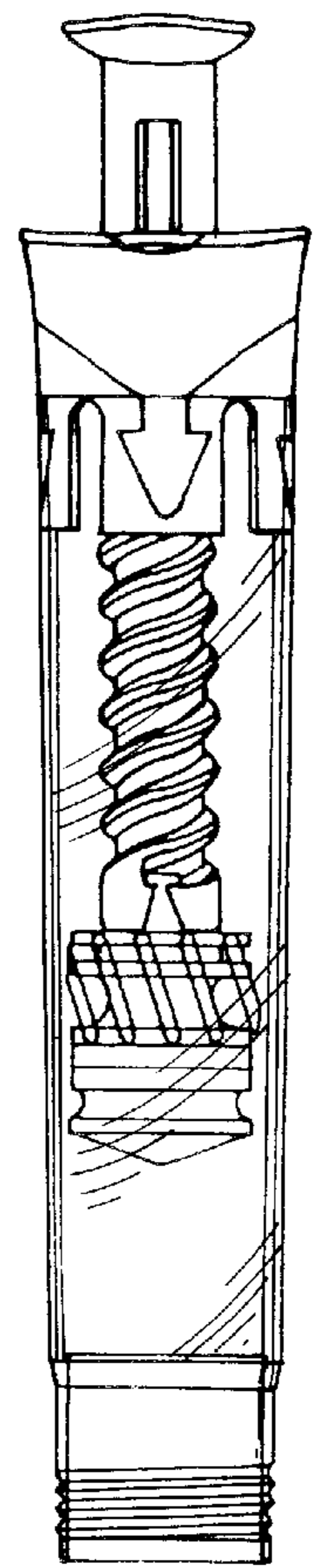


FIG. 6

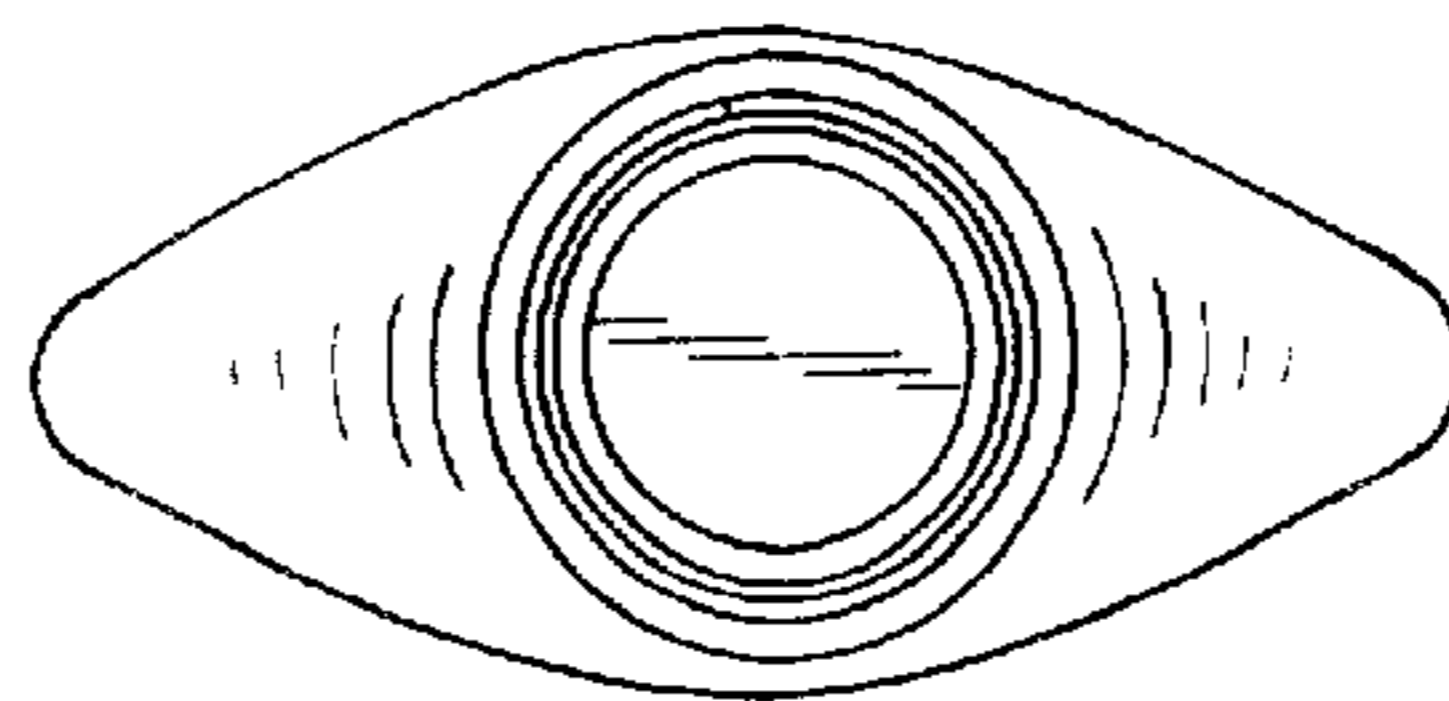


FIG. 7