



US00D401323S

United States Patent [19]
Ritsche

[11] **Patent Number: Des. 401,323**

[45] **Date of Patent: **Nov. 17, 1998**

[54] **MEDICATION DISPENSING APPARATUS**

[75] Inventor: **Stefan Ritsche**, Radolfzell, Germany

[73] Assignee: **Ing. Erich Pfeiffer GmbH**, Germany

[**] Term: **14 Years**

[21] Appl. No.: **56,955**

[22] Filed: **Jul. 12, 1996**

[30] **Foreign Application Priority Data**

Jan. 23, 1996 [DE] Germany M 96 00 802.4

[51] **LOC (6) Cl.** **29-02**

[52] **U.S. Cl.** **D24/110; D24/119**

[58] **Field of Search** 604/200, 201,
604/204, 214, 203, 295; 222/82, 83, 383.1,
385, 402.1, 420, 421, 422; D28/91.1; 128/200.14;
141/24, 26; D24/115, 110, 119, 111, 112,
130, 114, 113, 144, 146

[56] **References Cited**

U.S. PATENT DOCUMENTS

- D. 311,106 10/1990 Fuchs .
- 1,670,570 5/1928 Hein .
- 3,464,412 9/1969 Schwartz .

- 4,175,704 11/1979 Cohen .
- 4,921,142 5/1990 Graf et al. .
- 5,257,726 11/1993 Graf et al. .
- 5,307,953 5/1994 Regan .

FOREIGN PATENT DOCUMENTS

021123 1/1981 European Pat. Off. .

OTHER PUBLICATIONS

Glaxo Wellcome "Sumatriptan Nasal Spray" iss. Jan. 1996.

Primary Examiner—Susan J. Lucas
Assistant Examiner—Cynthia E. Ramirez
Attorney, Agent, or Firm—Quarles & Brady

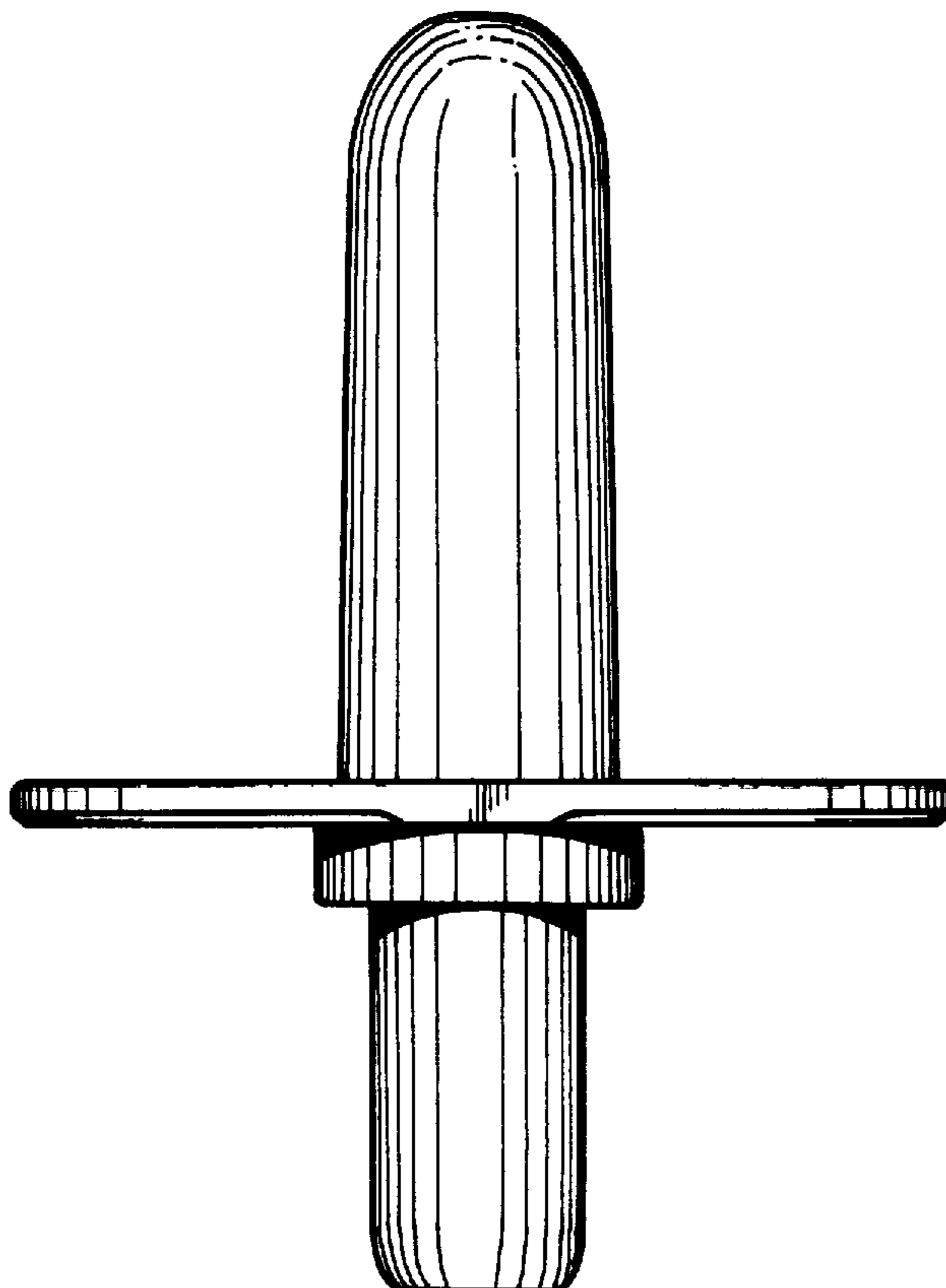
[57] **CLAIM**

The ornamental design for a medication dispensing apparatus, as shown and described.

DESCRIPTION

FIG. 1 is a front elevation view of a medication dispensing apparatus showing my new design; FIG. 2 is a side elevation view thereof; FIG. 3 is a top plan view thereof; and, FIG. 4 is a bottom plan view thereof.

1 Claim, 1 Drawing Sheet



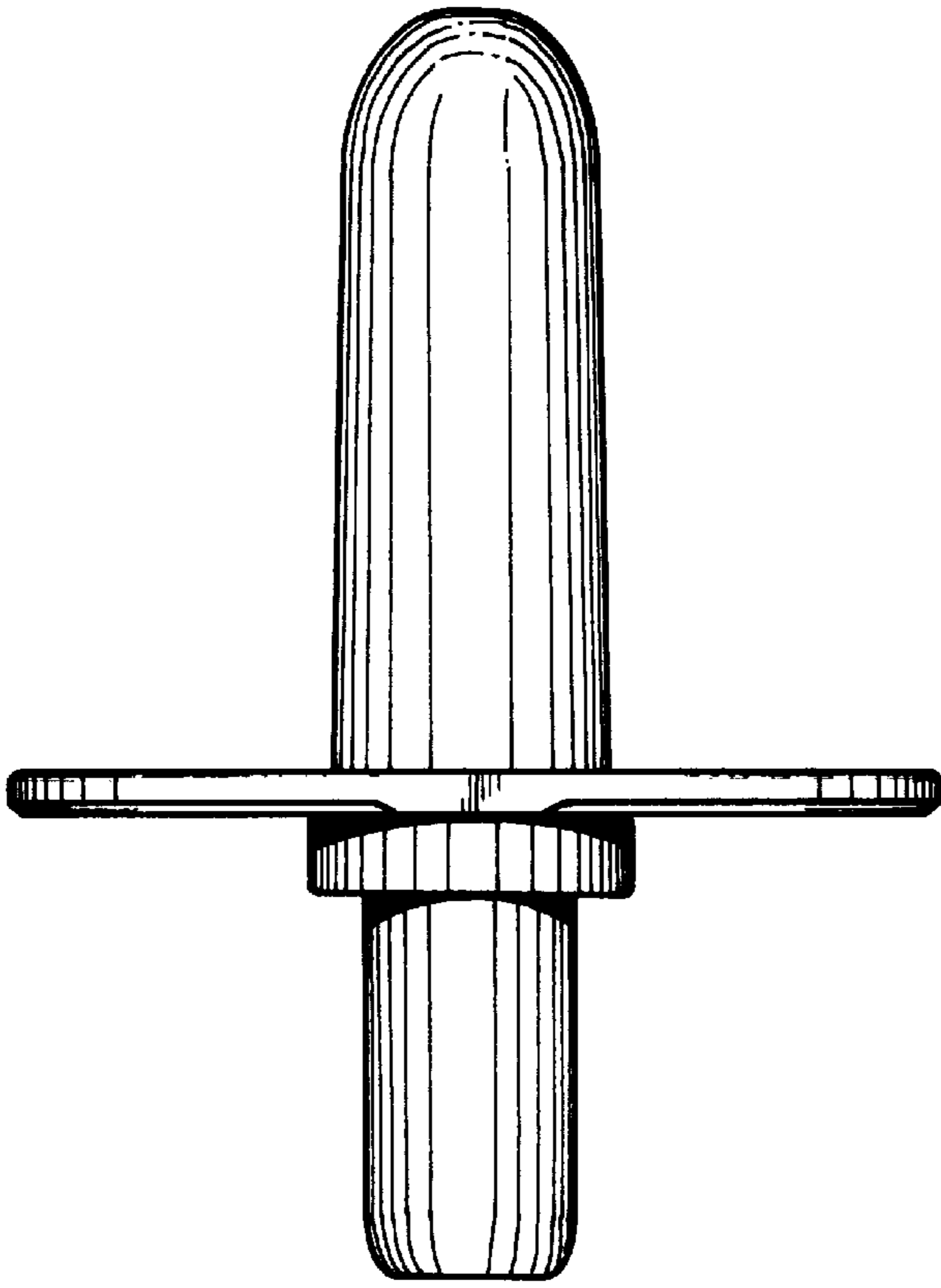


Fig. 1

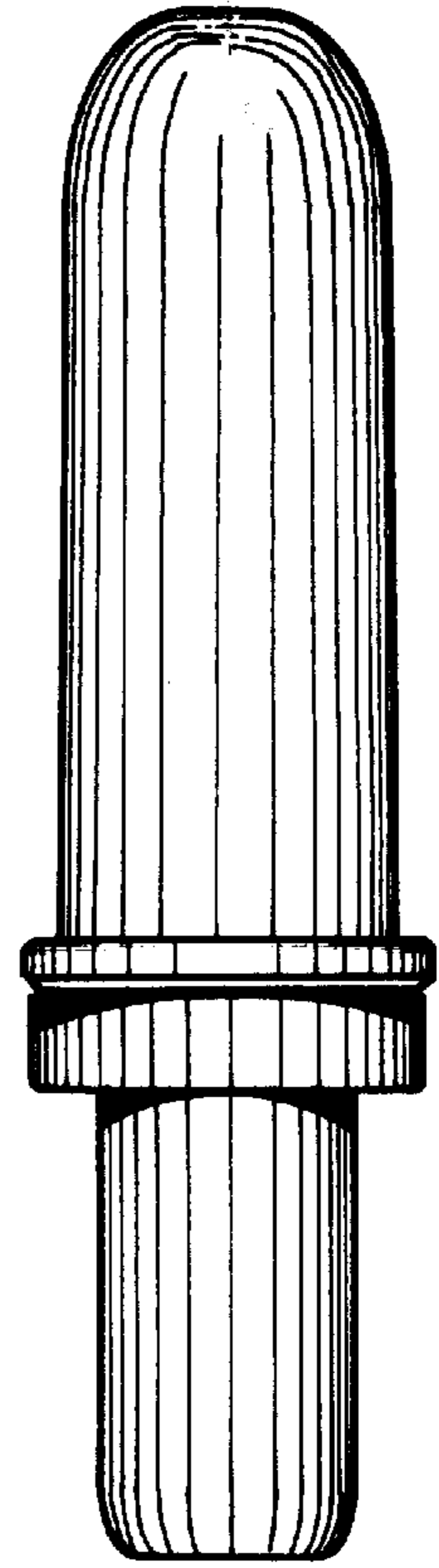


Fig. 2

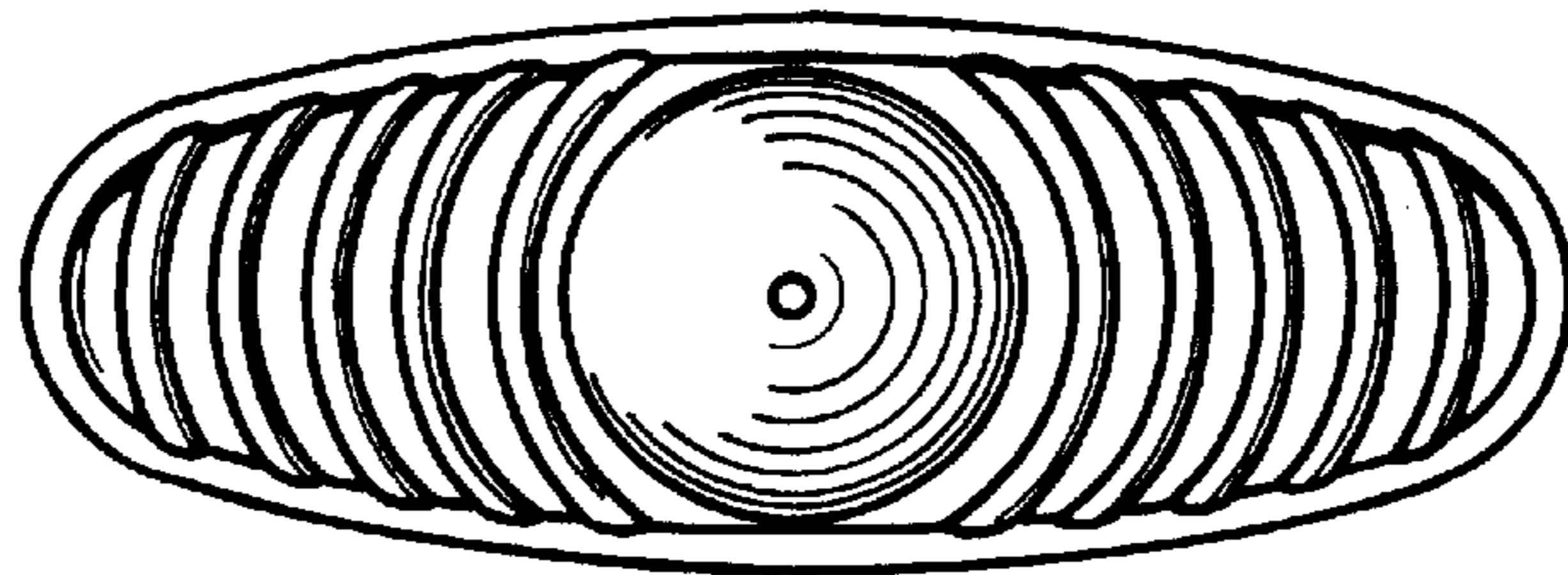


Fig. 3

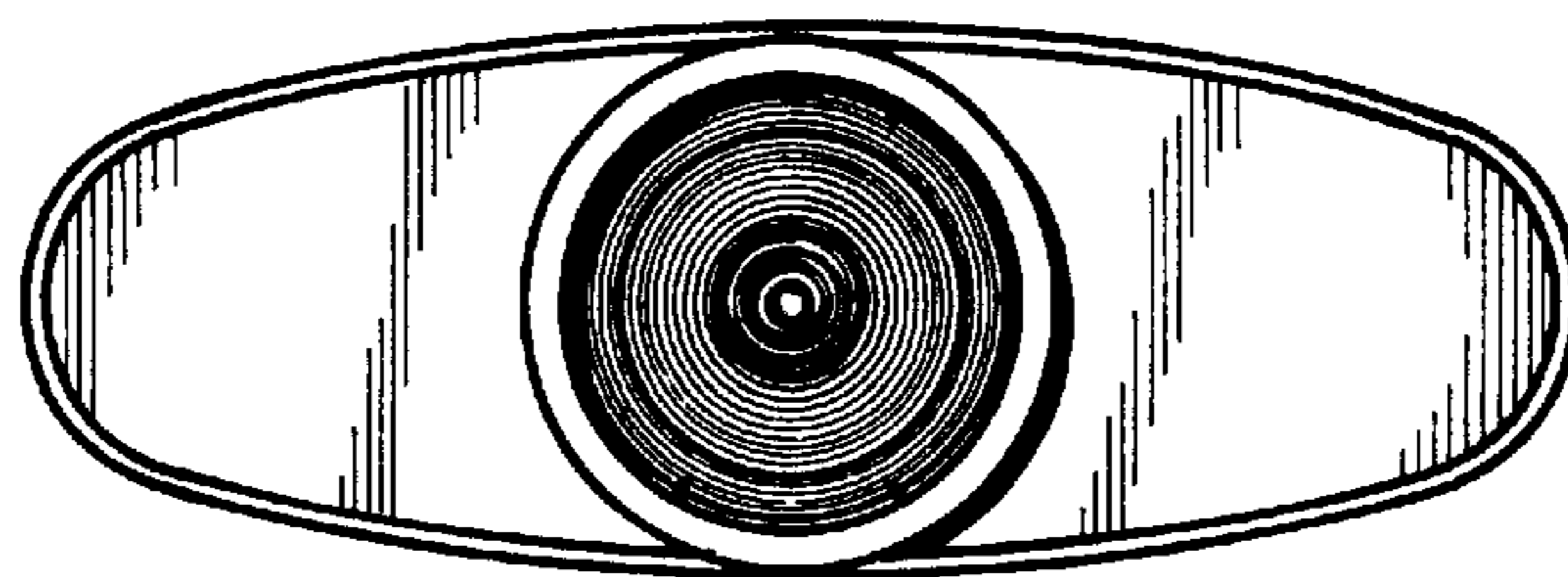


Fig. 4