



US00D401322S

United States Patent [19]

[11] **Patent Number: Des. 401,322**

Liu

[45] **Date of Patent: **Nov. 17, 1998**

[54] **COMBINED DECORATIVE BOTTOM HOOD AND LIGHT FIXTURE FOR A CEILING FAN**

Attorney, Agent, or Firm—Rosenberg, Klein & Bilker

[75] Inventor: **Chen-Tze Liu**, Feng Yuan, Taiwan

[57] **CLAIM**

[73] Assignee: **Pan Air Electric Co., Ltd.**, Taichung Hsien, Taiwan

The ornamental design for a combined decorative bottom hood and light fixture for a ceiling fan, as shown and described.

[**] Term: **14 Years**

DESCRIPTION

[21] Appl. No.: **83,089**

FIG. 1 is a front-right-bottom perspective view of a combined decorative bottom hood and light fixture for a ceiling fan, showing my new design;

[22] Filed: **Feb. 5, 1998**

FIG. 2 is a front elevational view thereof;

[51] **LOC (6) Cl.** **23-04**

FIG. 3 is a rear elevational view thereof;

[52] **U.S. Cl.** **D23/411; D23/377; D23/379**

FIG. 4 is a left side elevational view thereof;

[58] **Field of Search** D23/377, 379, D23/385, 411, 413; 416/5; 392/364; 362/96; D26/81-86, 88, 72, 59, 51

FIG. 5 is a right side elevational view thereof;

FIG. 6 is a top plan view thereof;

FIG. 7 is a bottom plan view thereof; and,

[56] **References Cited**

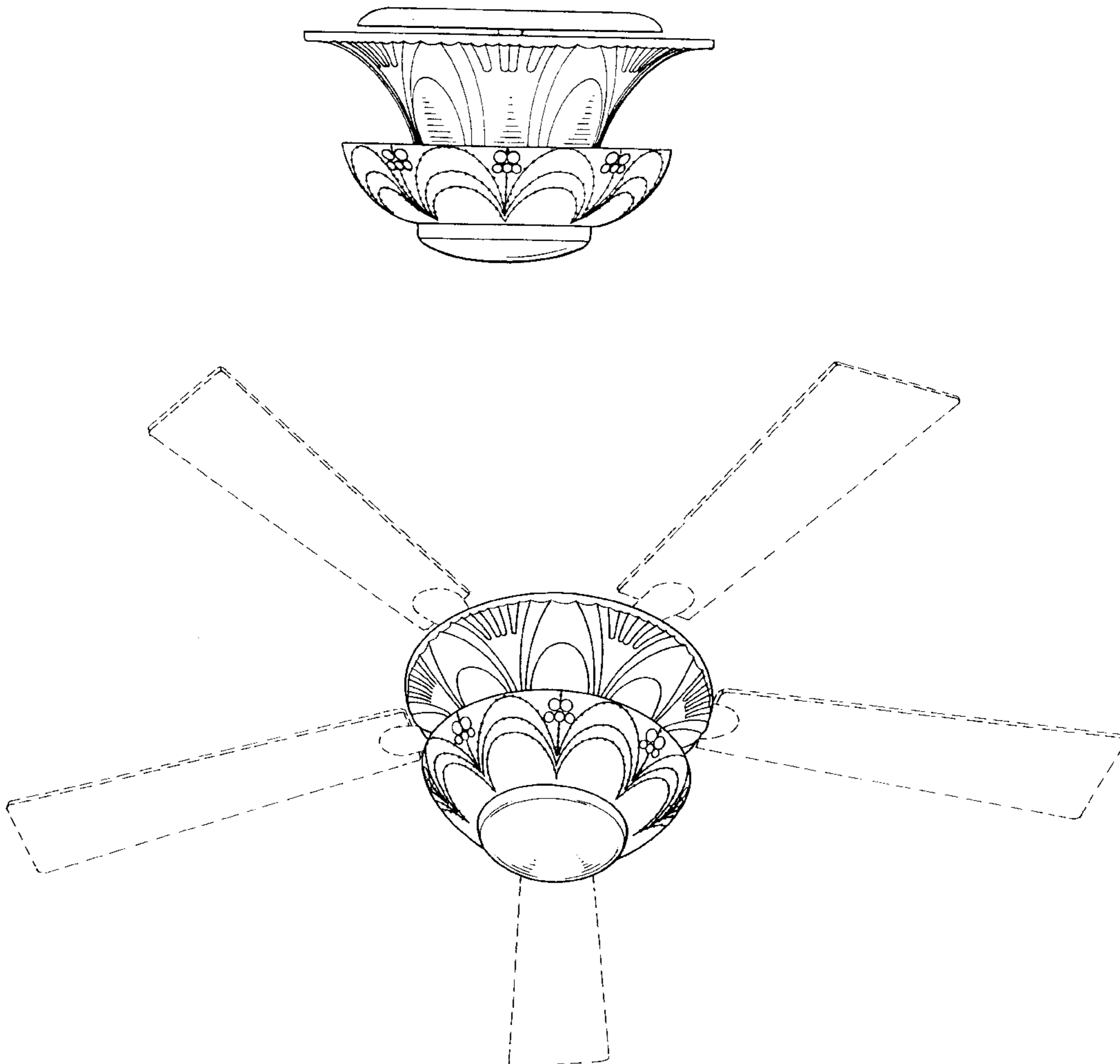
FIG. 8 is a perspective view of a combined decorative bottom hood and light fixture for a ceiling fan on a reduced scale shown attached to a ceiling fan, the broken line showing of the ceiling fan is for illustrative purposes only and forms no part of the claimed design.

U.S. PATENT DOCUMENTS

- D. 376,421 12/1996 Jaspers-Fayer D23/379
- 5,681,147 10/1997 Yung-Chung 416/244 R

Primary Examiner—Lisa Lichtenstein

1 Claim, 4 Drawing Sheets



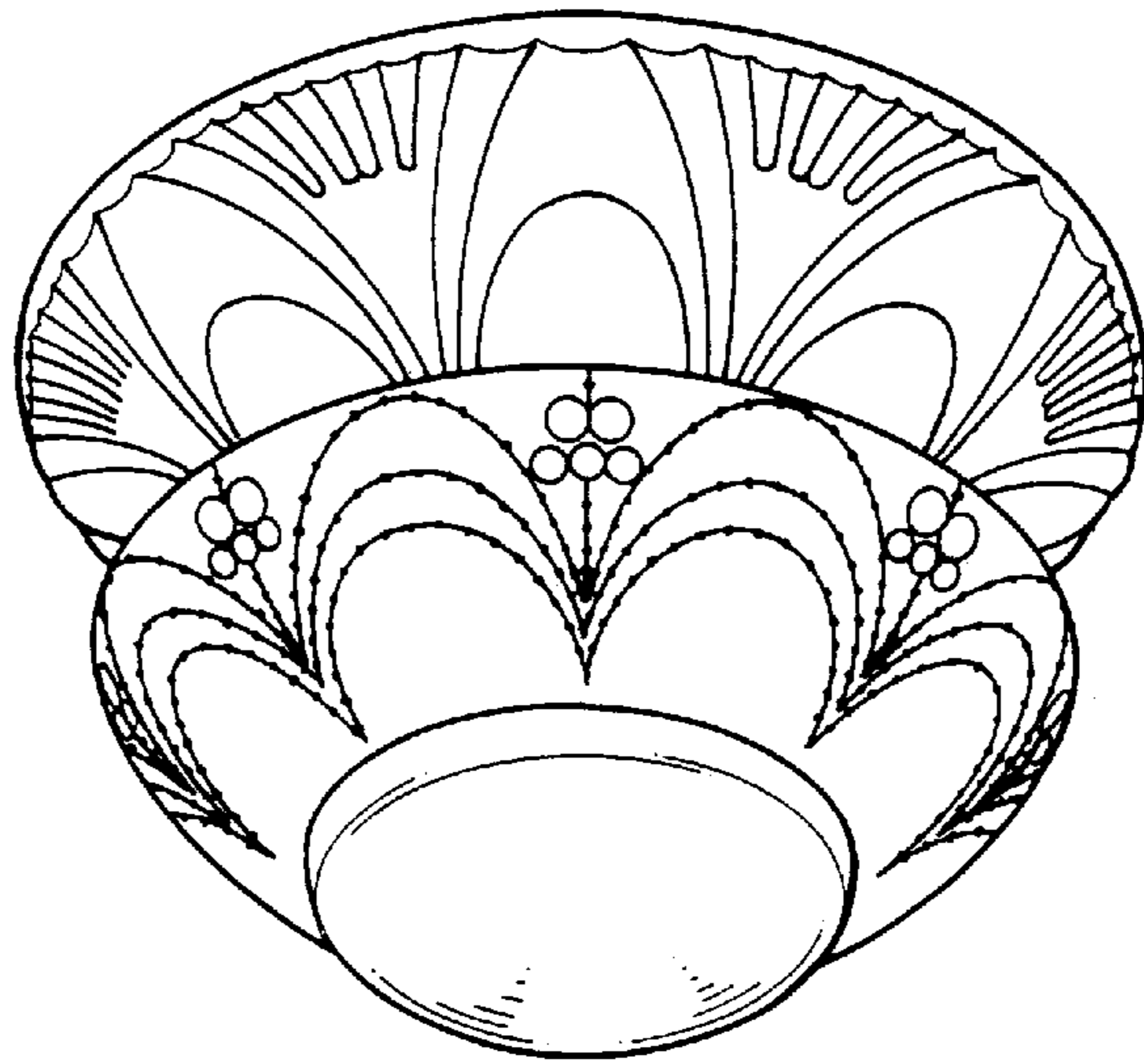


FIG. 1

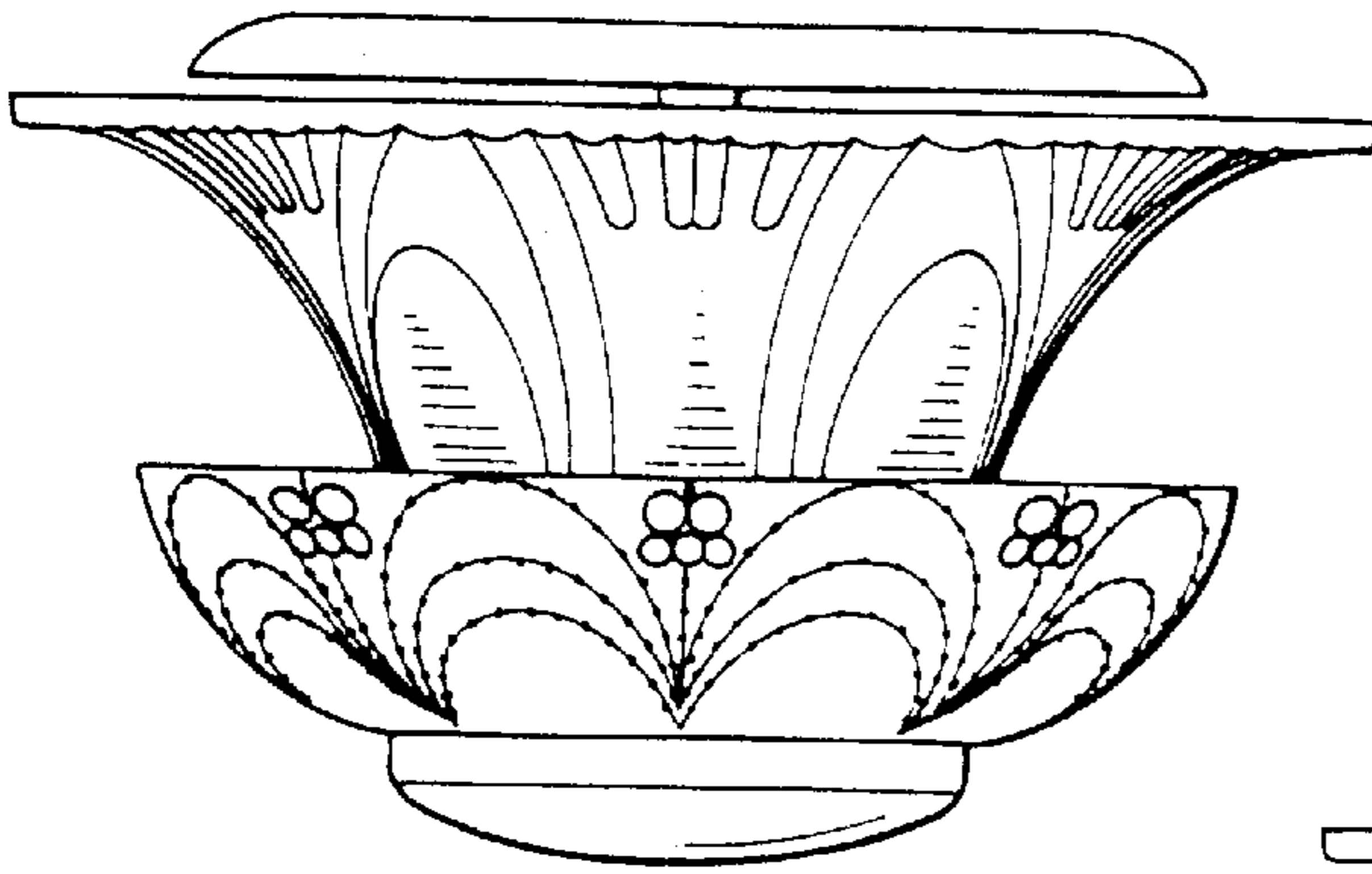


FIG. 2

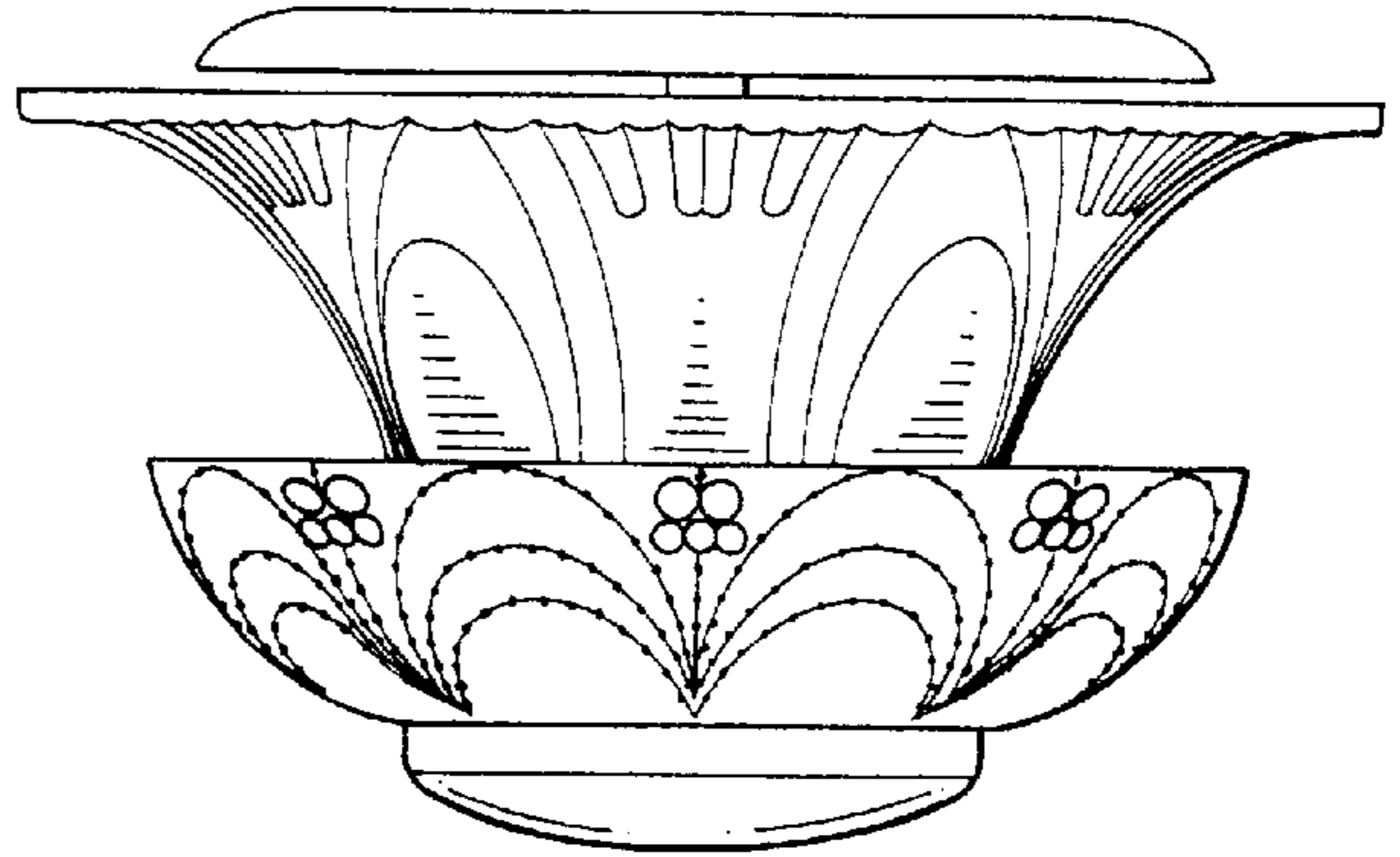


FIG. 3

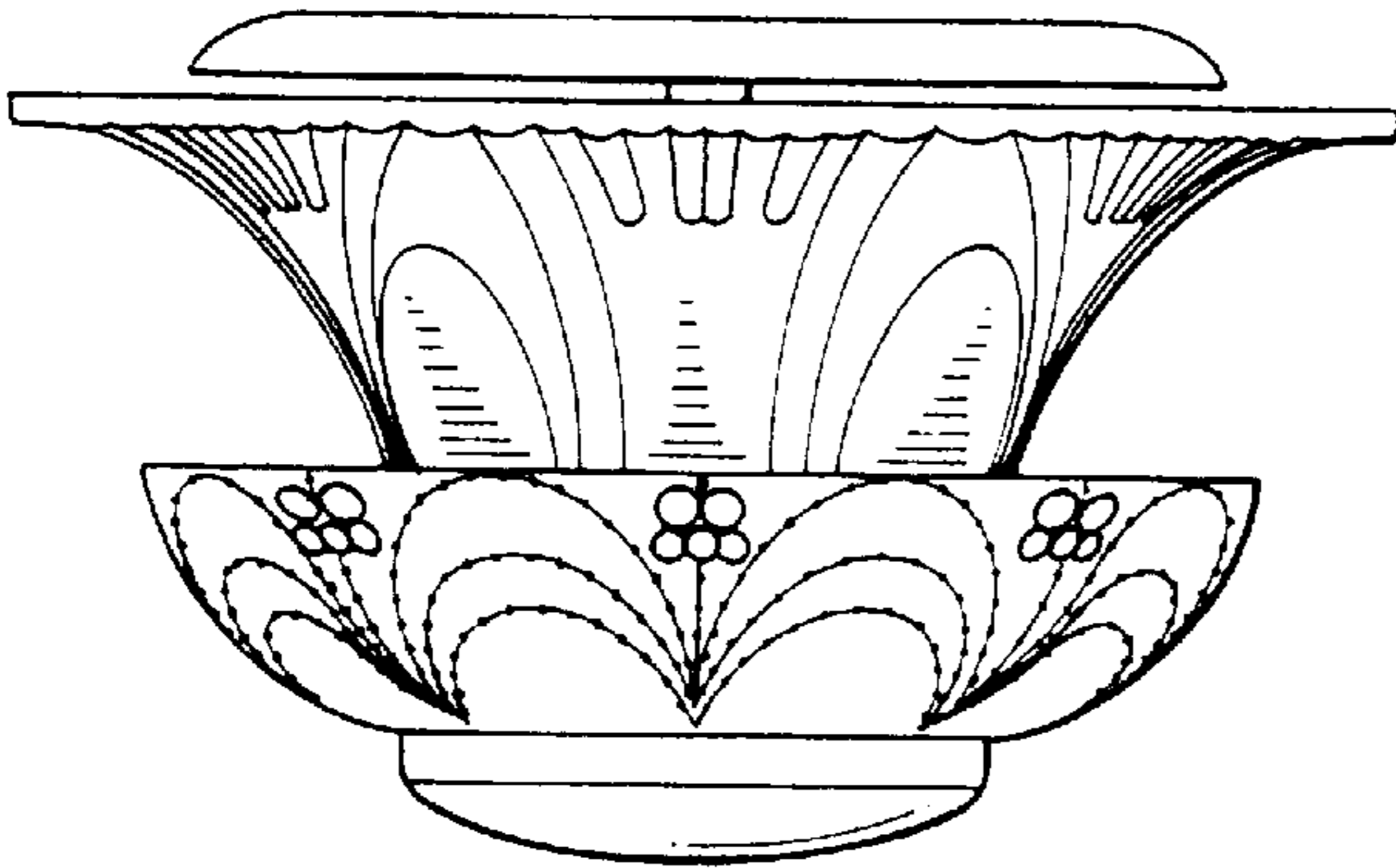


FIG. 4

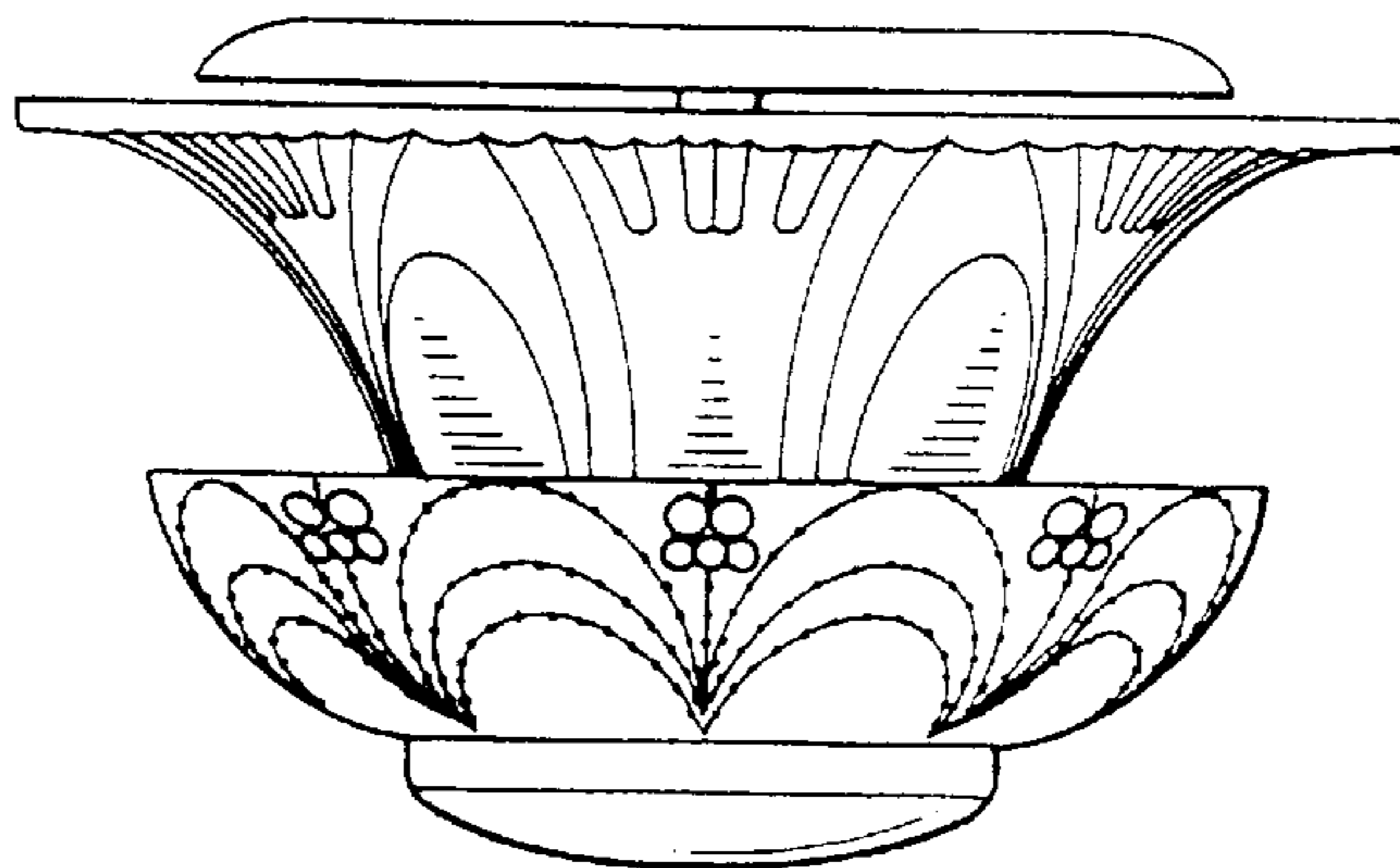


FIG. 5

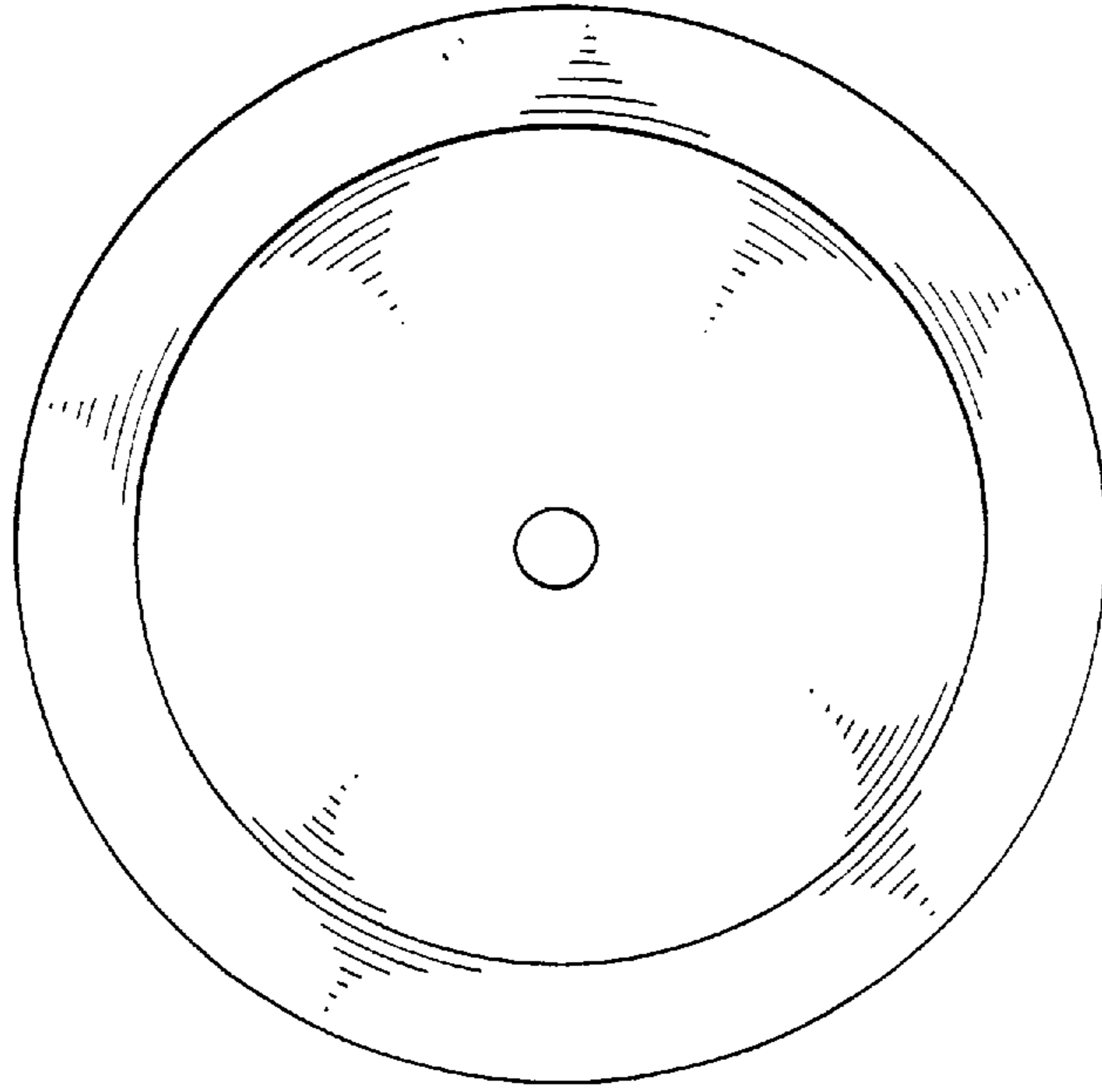


FIG. 6

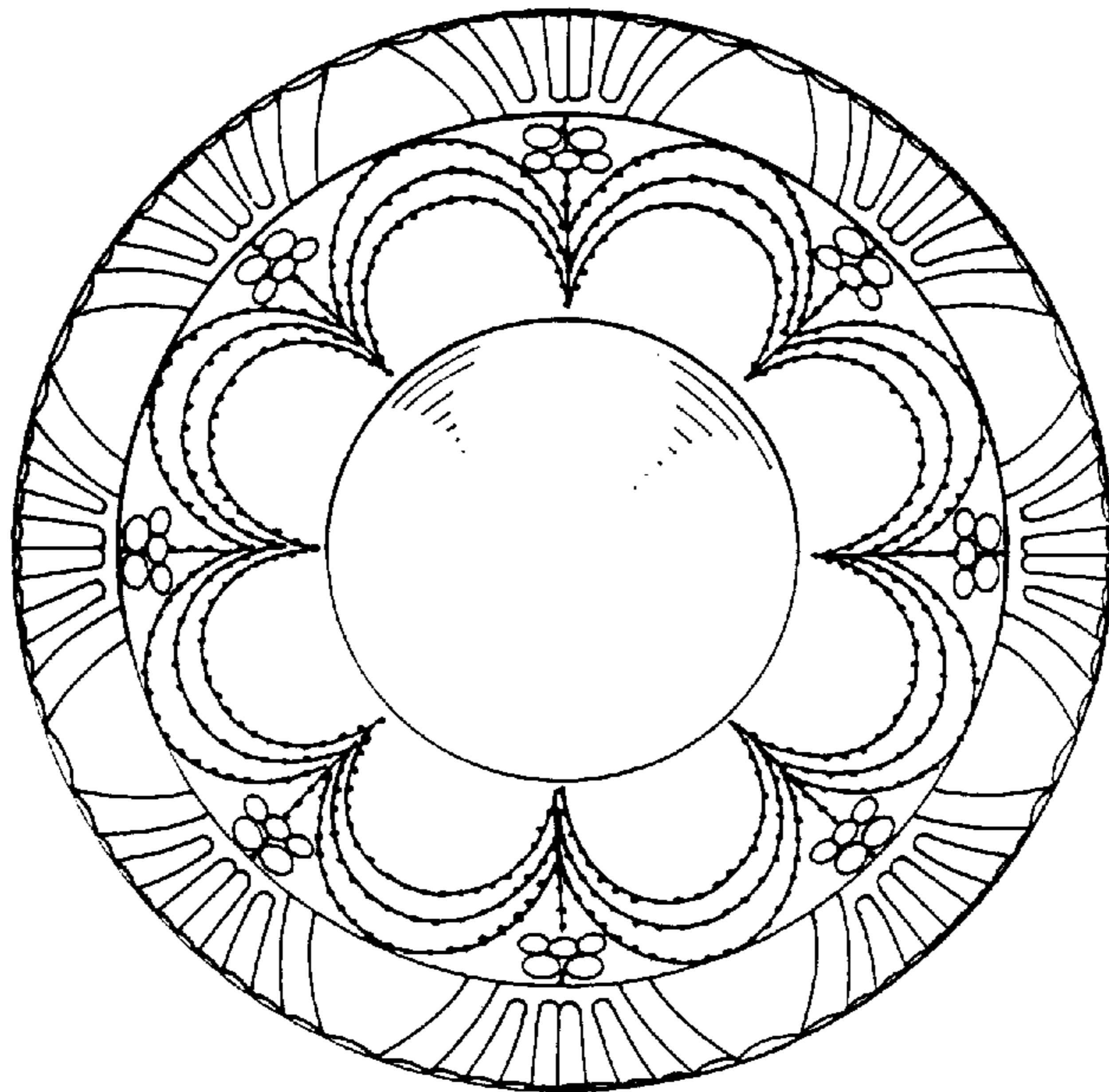


FIG. 7

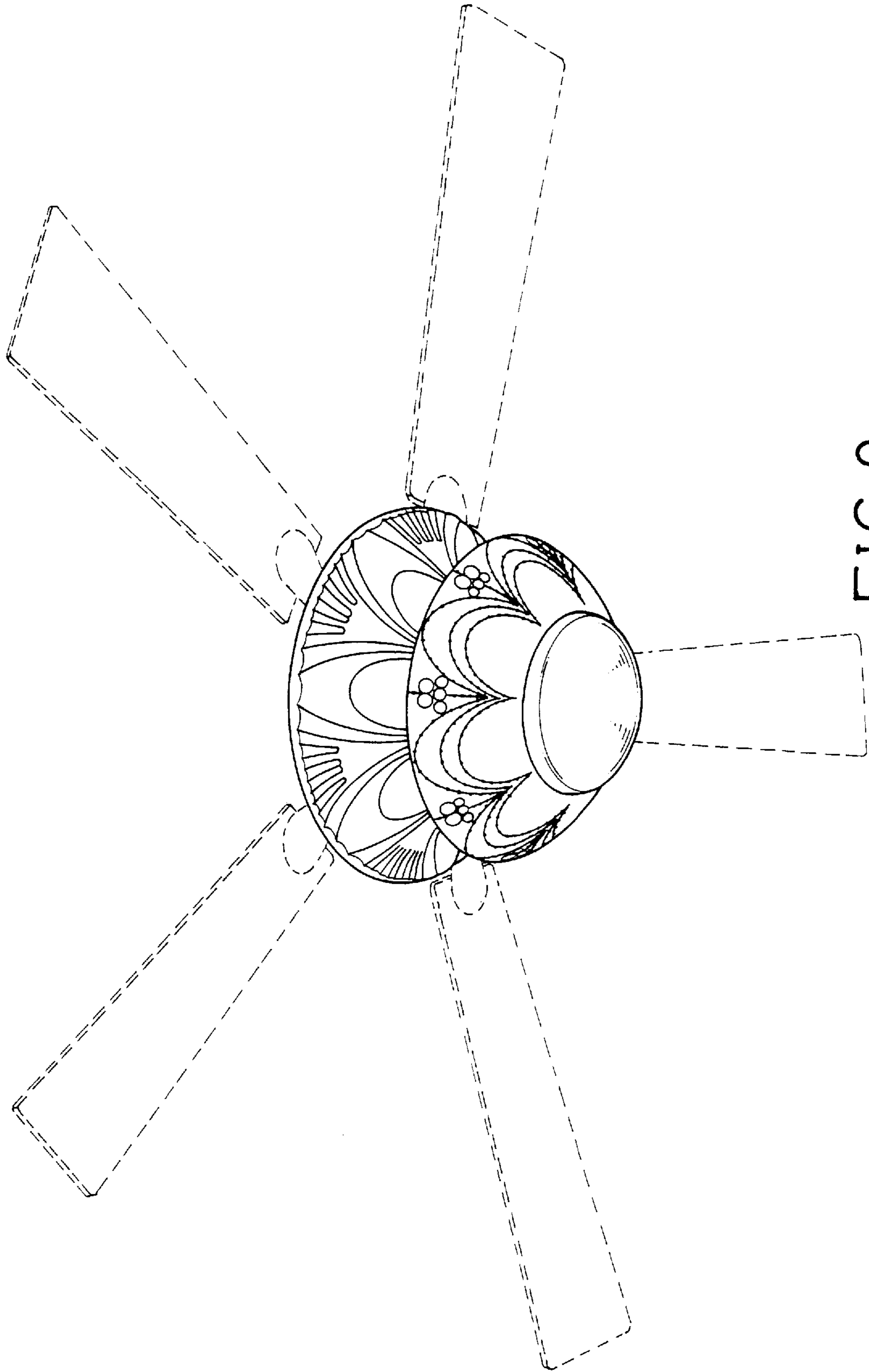


FIG.8