



US00D401321S

United States Patent [19]

[11] Patent Number: **Des. 401,321**

Hsu

[45] Date of Patent: ****Nov. 17, 1998**

[54] MOTOR HOUSING OF AN ELECTRIC FAN

OTHER PUBLICATIONS

[76] Inventor: **Joe Hsu**, 3F, No. 42, Lane 40, Yung Yuan Rd., Yungho City, Taipei Hsien, Taiwan

Electrical Merchandising, p. 138, Fan A, top of page, Apr. 1956.

[**] Term: **14 Years**

Primary Examiner—Lisa Lichtenstein
Attorney, Agent, or Firm—Rosenberg, Klein & Bilker

[21] Appl. No.: **78,566**

[57] CLAIM

[22] Filed: **Oct. 29, 1997**

The ornamental design for a motor housing of an electric fan, as shown.

[51] LOC (6) Cl. **23-04**

[52] U.S. Cl. **D23/411; D23/370; D23/381**

[58] Field of Search 417/423.14; D23/411, D23/378, 379, 381, 370; 416/170 R, 170 C, 247 R, 100

DESCRIPTION

[56] References Cited

U.S. PATENT DOCUMENTS

D. 309,944	8/1990	Chiu	D23/382
2,658,666	11/1953	Krzesiewski	416/247
2,900,125	8/1959	Quick	417/423.14

FIG. 1 is a perspective view of the motor housing of an electric fan of my new design;

FIG. 2 is a top plan view thereof;

FIG. 3 is a front perspective view thereof;

FIG. 4 is a rear perspective view thereof;

FIG. 5 is a right perspective view thereof;

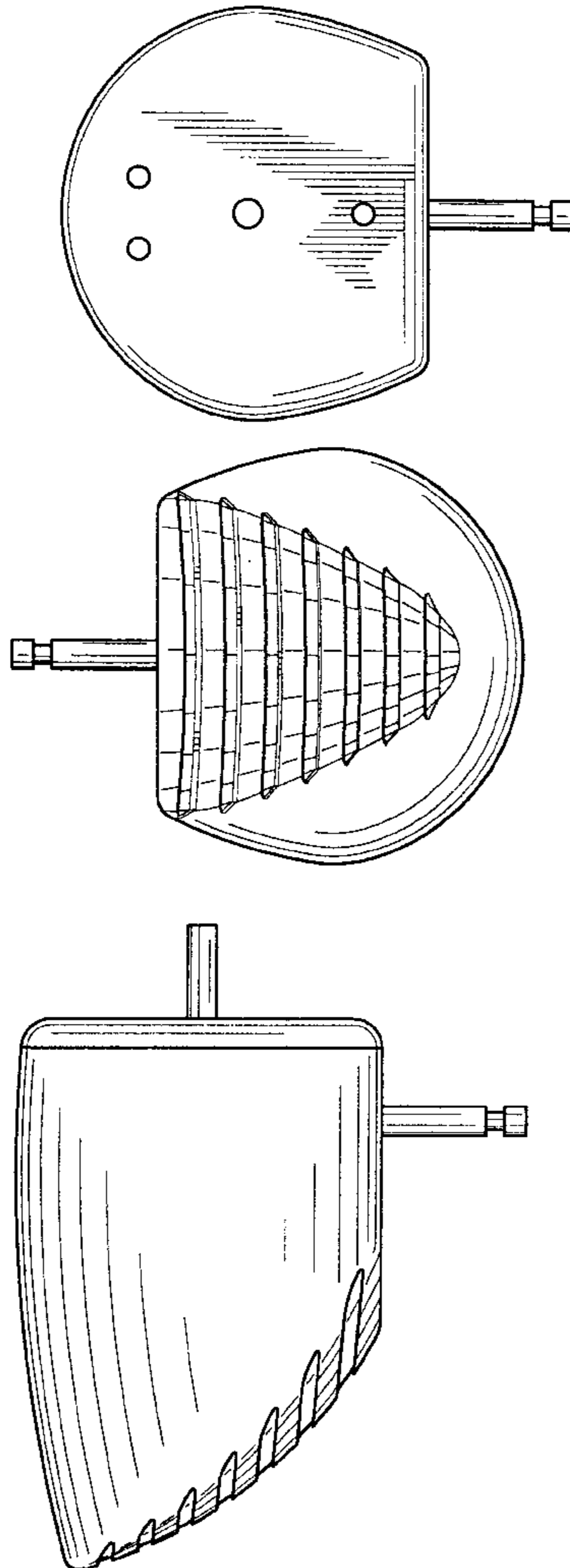
FIG. 6 is a left perspective view thereof; and,

FIG. 7 is a bottom plan view thereof.

FOREIGN PATENT DOCUMENTS

688364 3/1953 United Kingdom 416/247

1 Claim, 4 Drawing Sheets



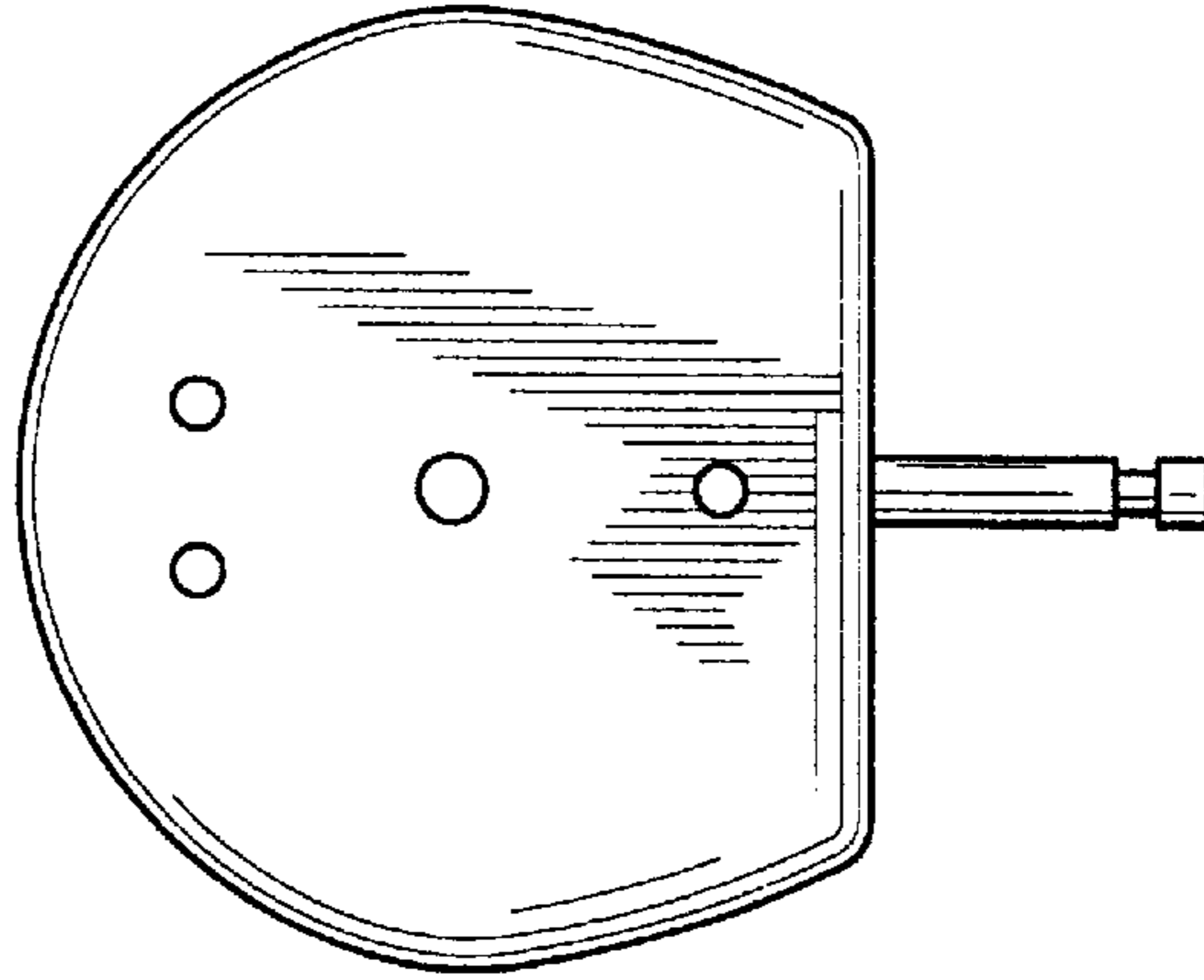


FIG. 1

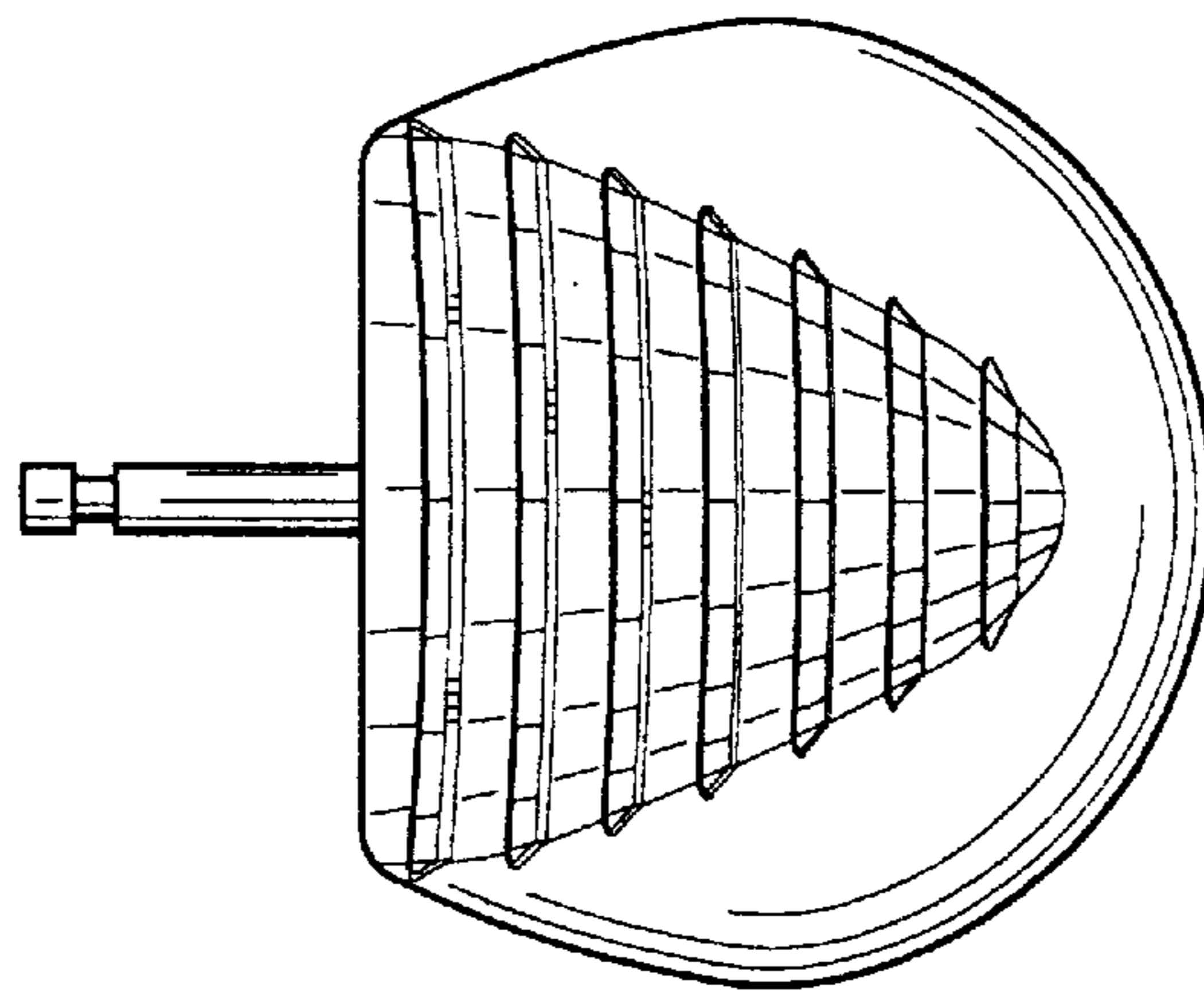
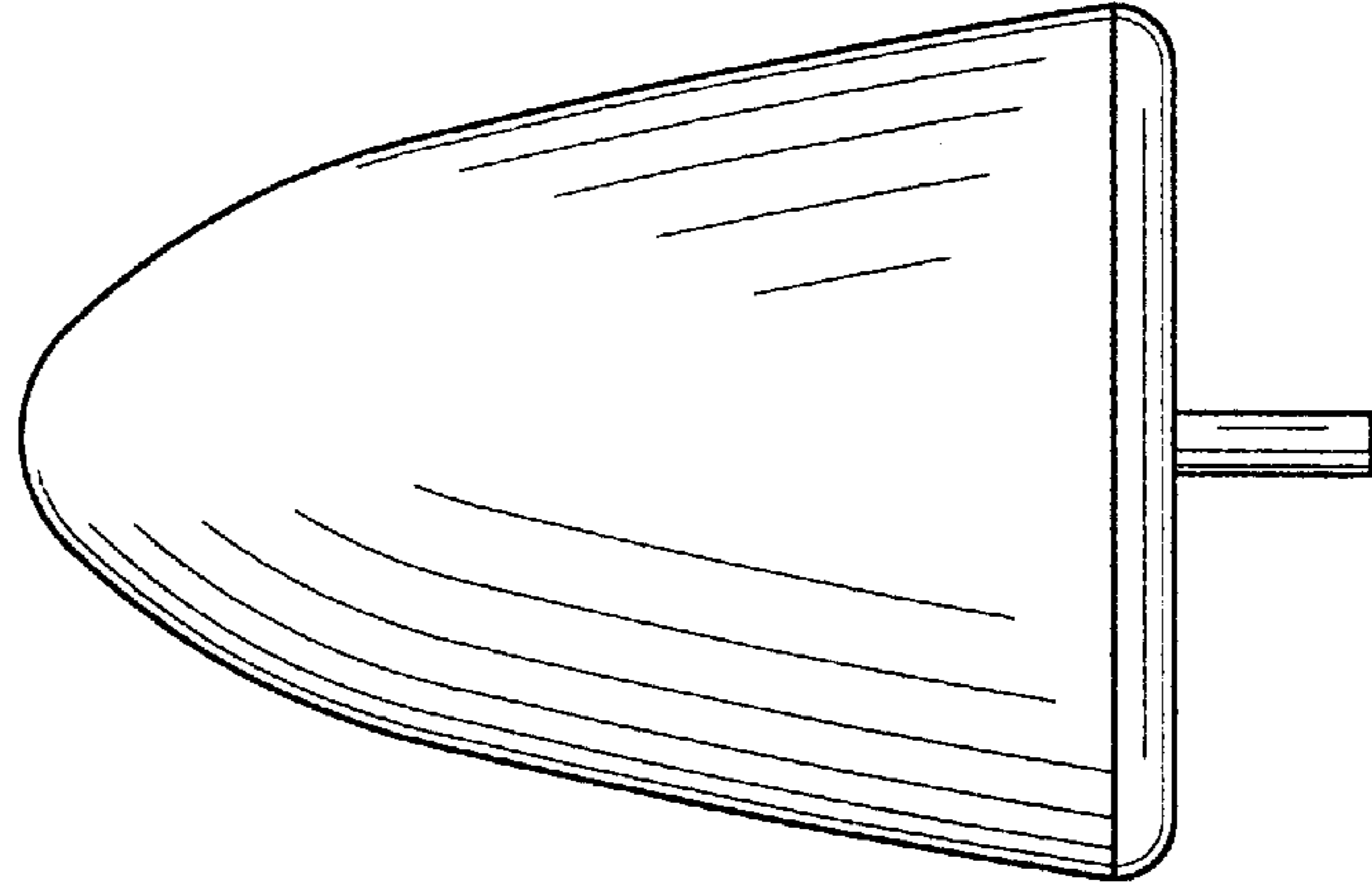
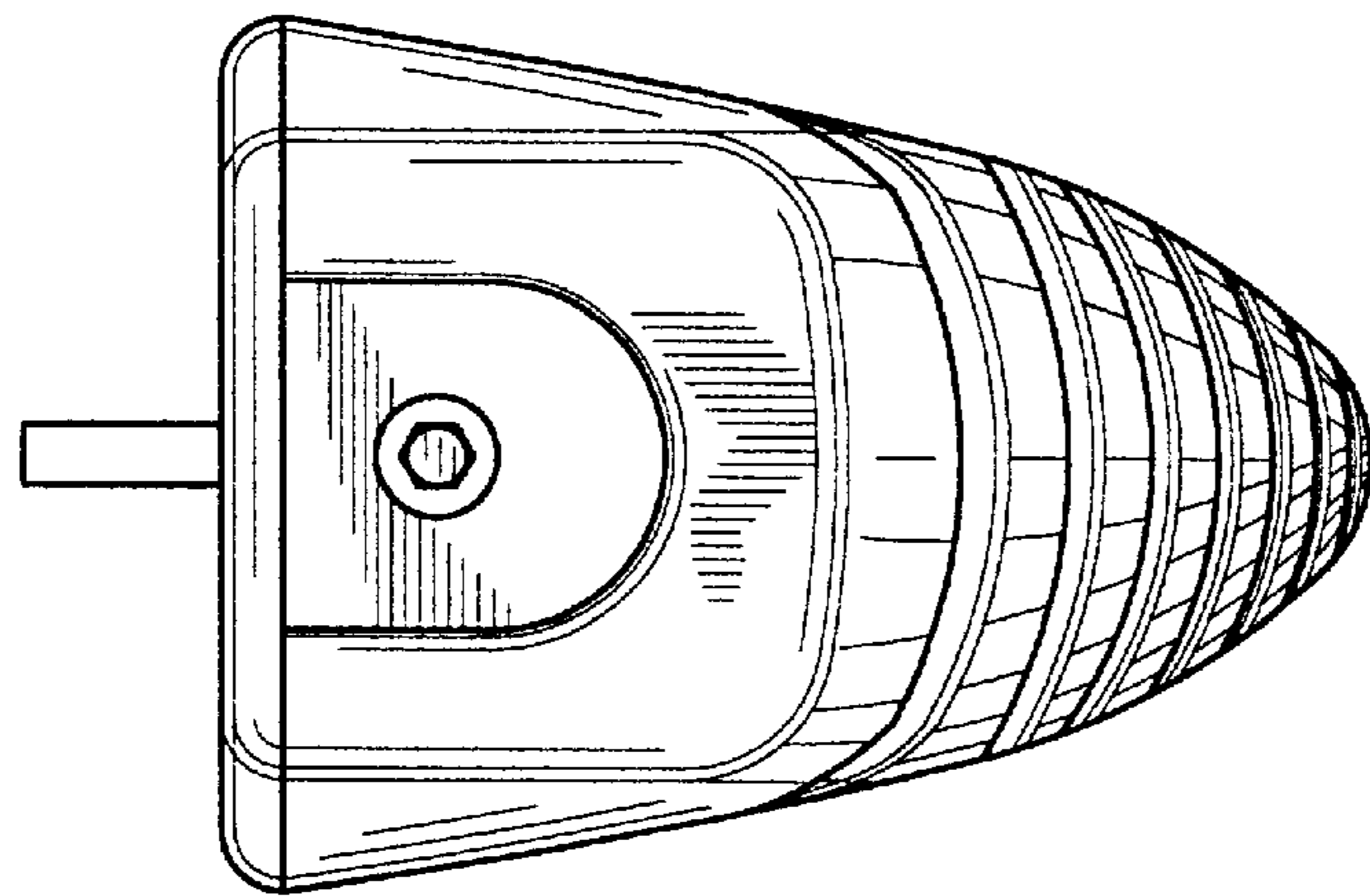


FIG. 2



F I G . 3



F I G . 4

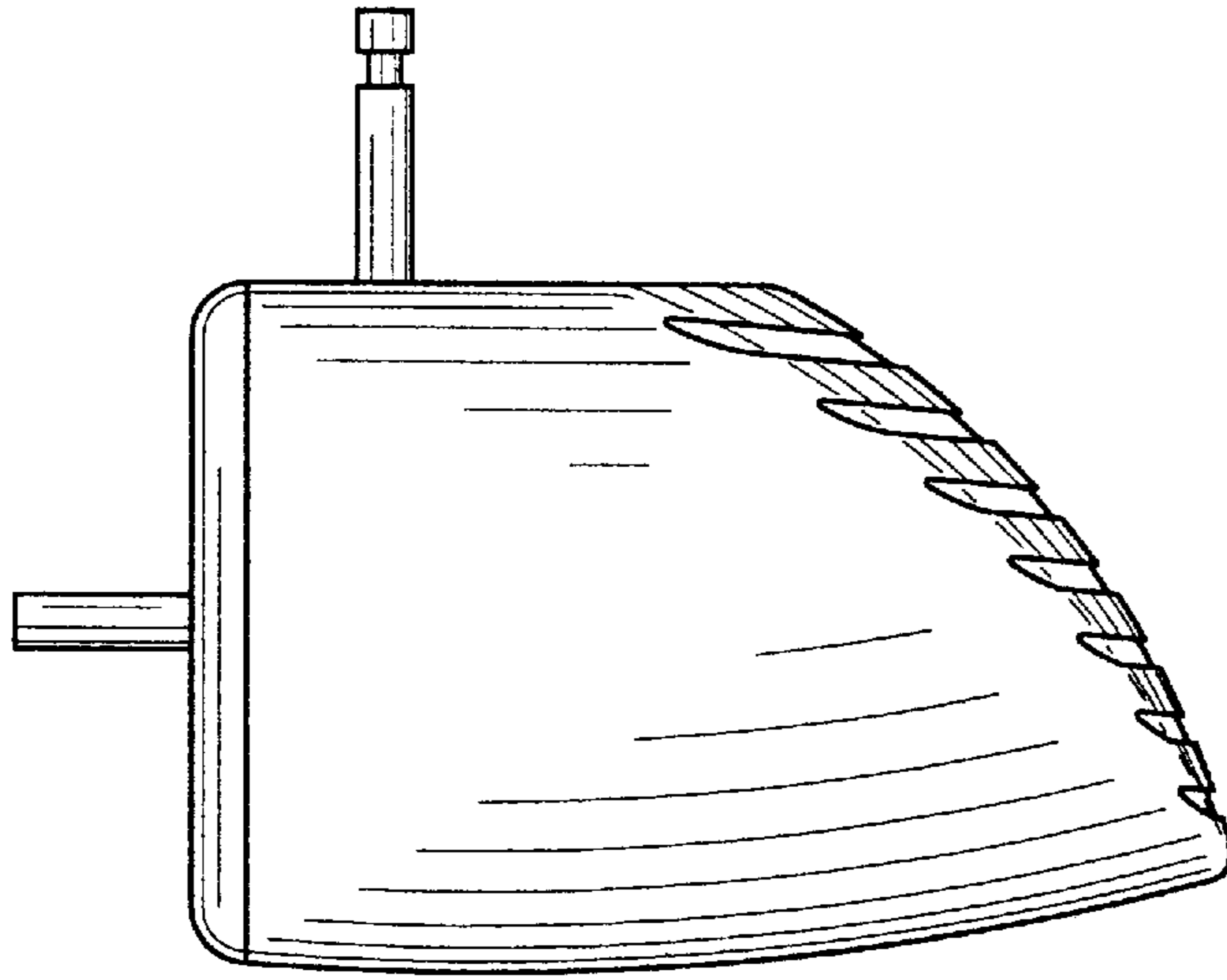


FIG. 6

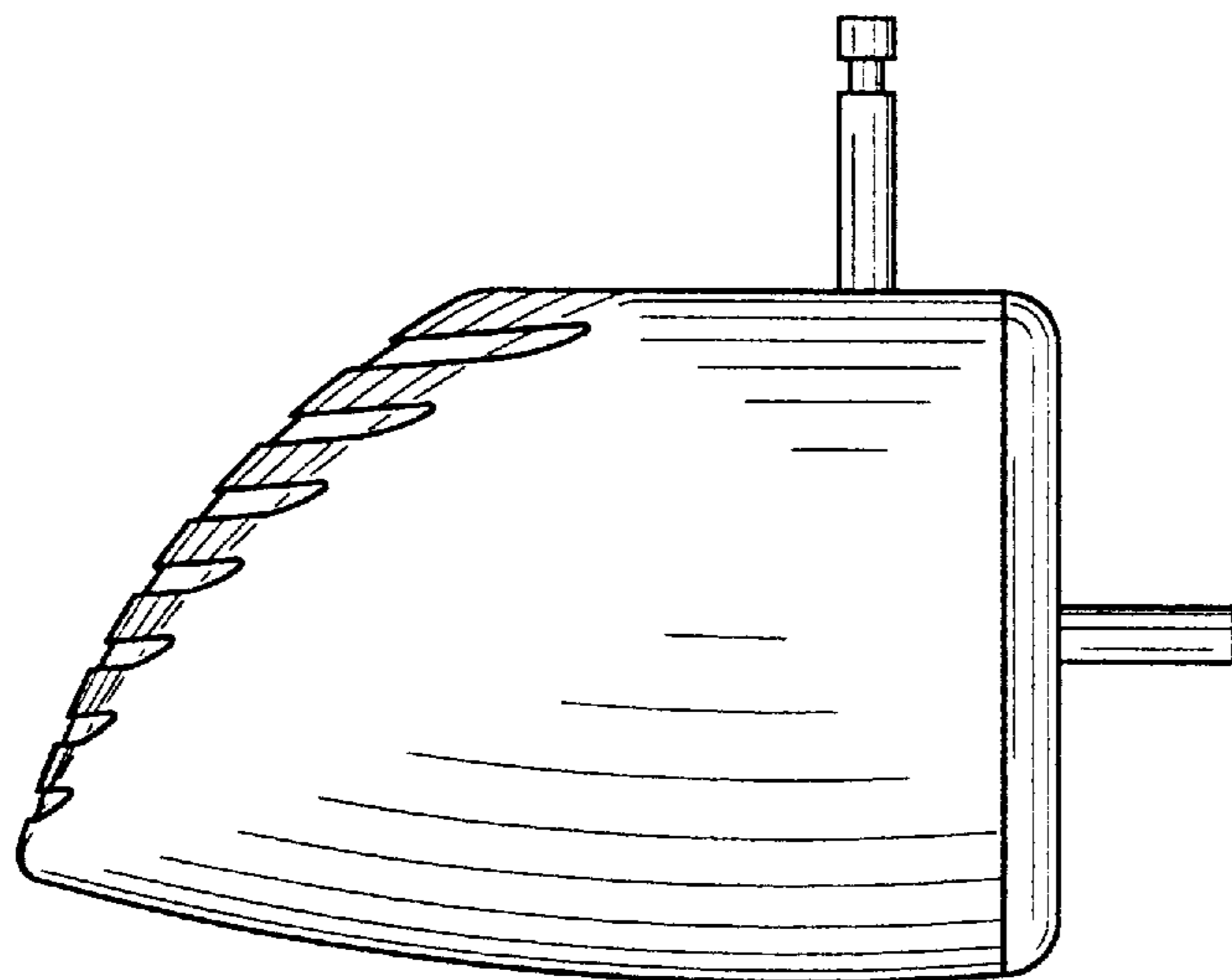
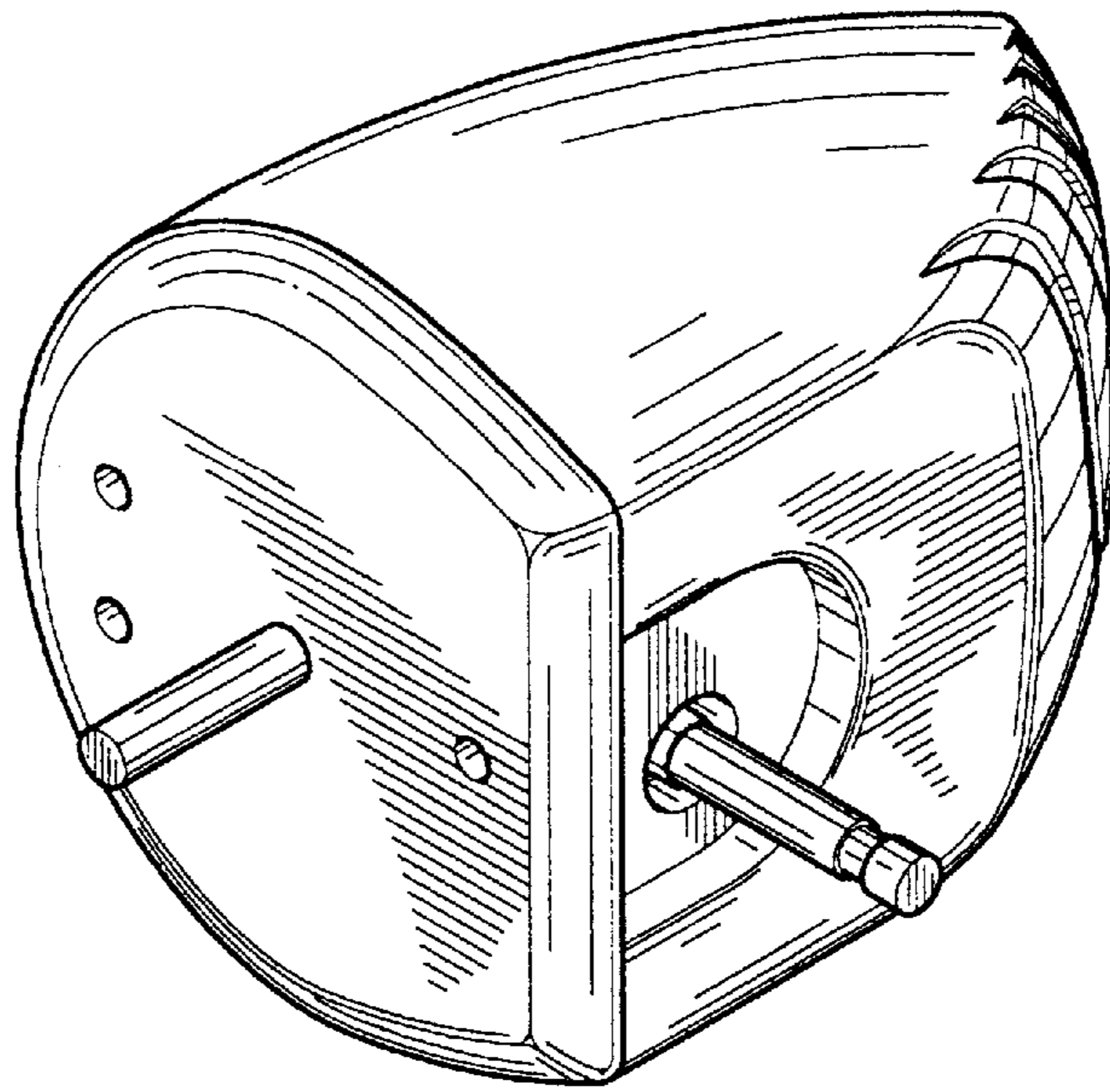


FIG. 5



F I G . 7