

US00D401319S

United States Patent [19] Bradley

[11] Patent Number: Des. 401,319

[45] Date of Patent: **Nov. 17, 1998

[54] ALTERNATOR FAN

OTHER PUBLICATIONS

[75] Inventor: William Bradley, Wheaton, Ill.

Photographs A–D of top, back, left and right side of a pressed steel alternator fan design believed to be offered for sale and/or in public use before May 5, 1996.

[73] Assignee: Fanco, Inc., Batavia, Ill.

Photographs E–H of top and back side of a molded plastic alternator fan design believed to be offered for sale and/or in public use before May 5, 1996.

[**] Term: 14 Years

[21] Appl. No.: 70,284

[22] Filed: May 5, 1997

Primary Examiner—Lisa Lichtenstein
Attorney, Agent, or Firm—Fitch, Even, Tabin & Flannery

[51] LOC (6) Cl. 23-04

[52] U.S. Cl. D23/413; D23/411

[58] Field of Search D23/413; 416/169 A,
416/183, DIG. 3, 60, 182; 310/62, 63, 263

[57] CLAIM

The ornamental design for an alternator fan, as shown.

[56] References Cited

DESCRIPTION

U.S. PATENT DOCUMENTS

4,102,601	7/1978	Bischoff	416/DIG. 3
4,130,770	12/1978	Wrobel	310/62
4,611,139	9/1986	Godkin et al.	310/263
5,021,696	6/1991	Nelson	310/63
5,122,705	6/1992	Kusase et al.	310/263
5,235,229	8/1993	Tanaka et al.	310/263
5,543,676	8/1996	York et al.	310/263
5,693,992	12/1997	Kurusu et al.	310/63

FIG. 1 is a side perspective view of an alternator fan showing my new design;

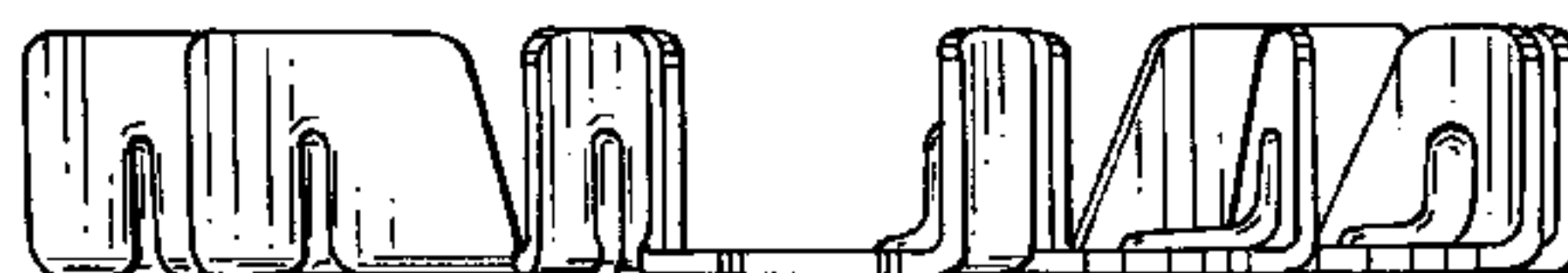
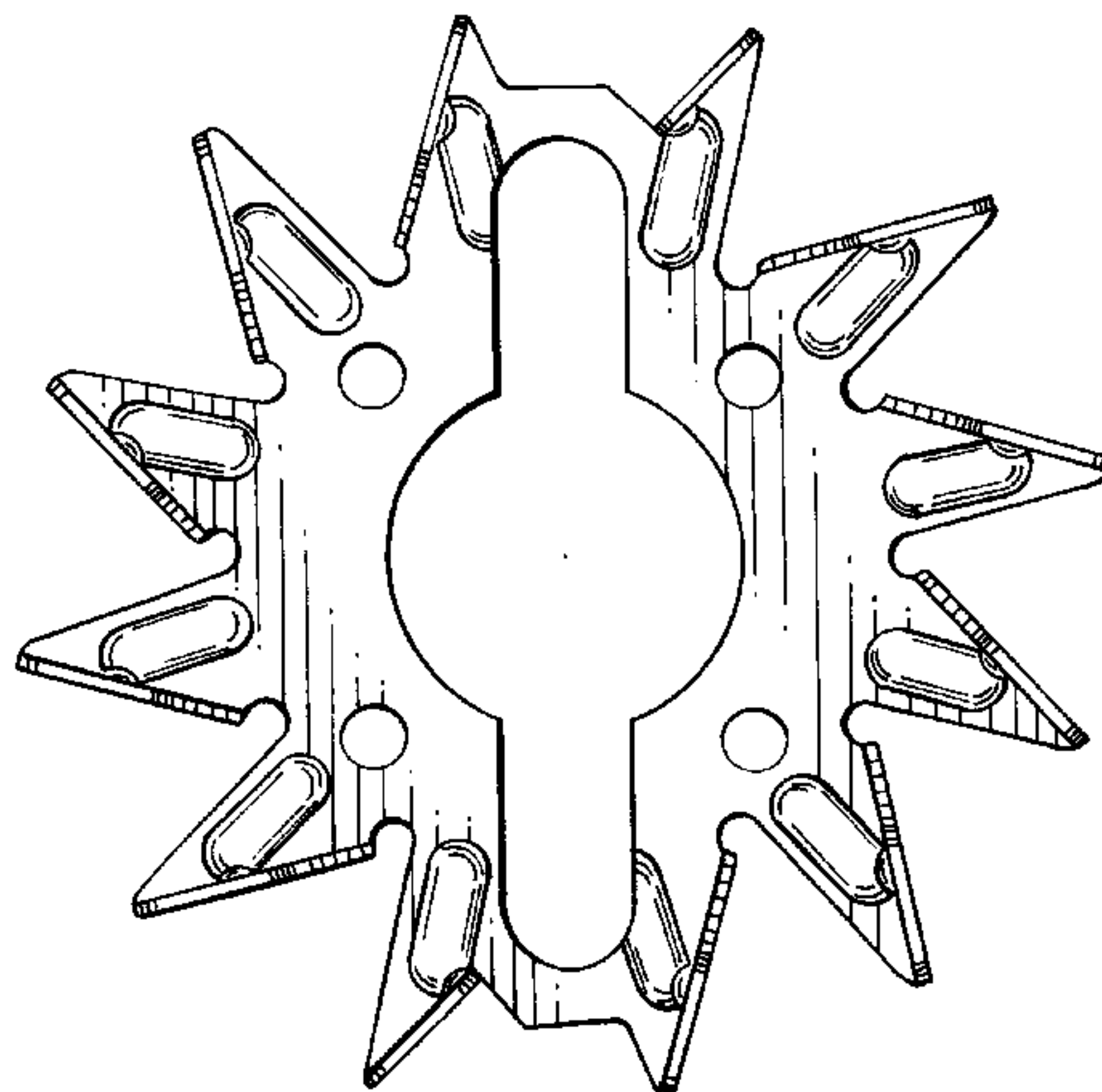
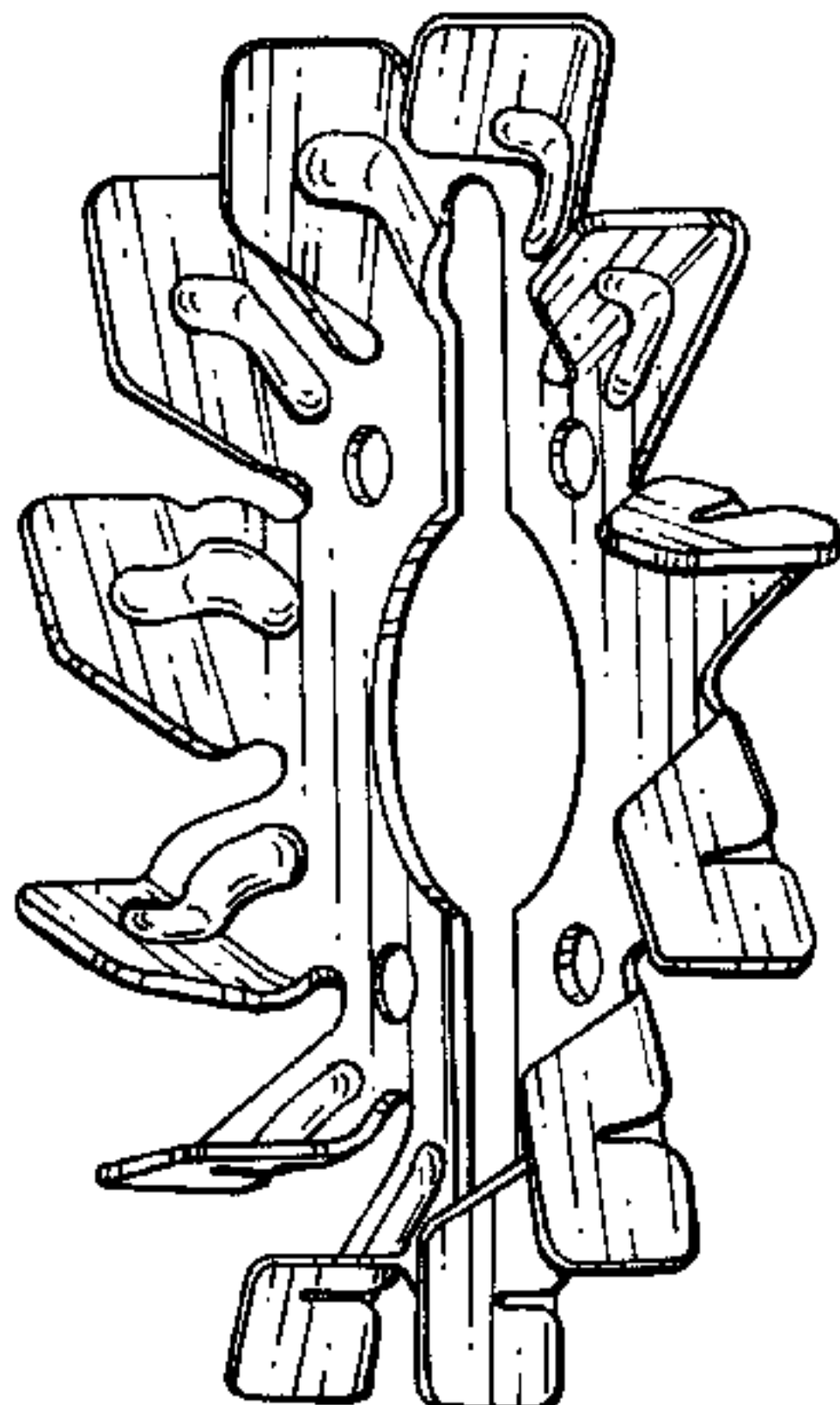
FIG. 2 is a front plan view thereof;

FIG. 3 is a side elevational view thereof, on a reduced scale;

FIG. 4 is a side elevational view on a reduced scale taken from the side opposite that of FIG.3; and,

FIG. 5 is a rear plan view thereof, on a reduced scale.

1 Claim, 2 Drawing Sheets



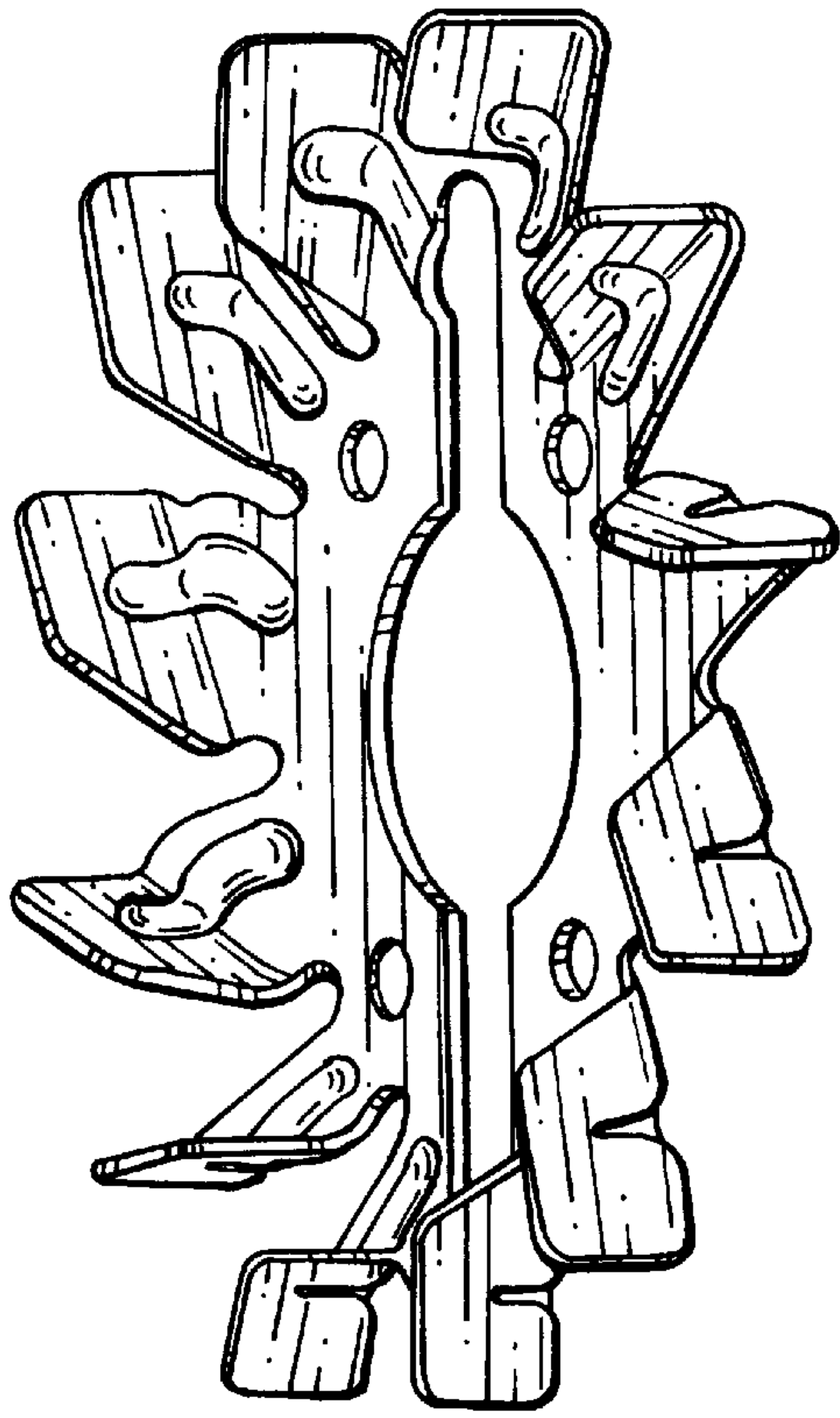


Fig. 1

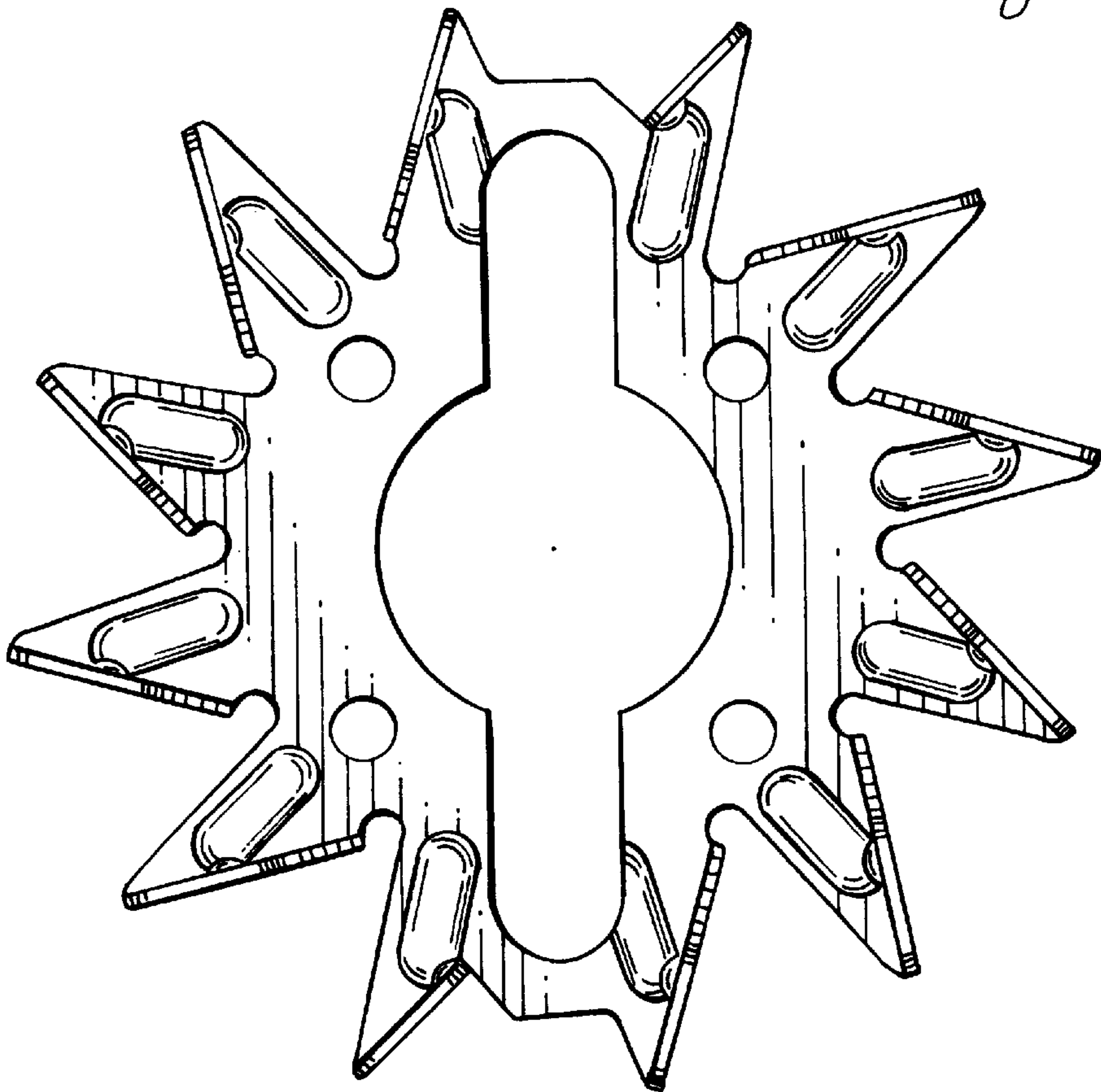


Fig. 2

Fig. 3

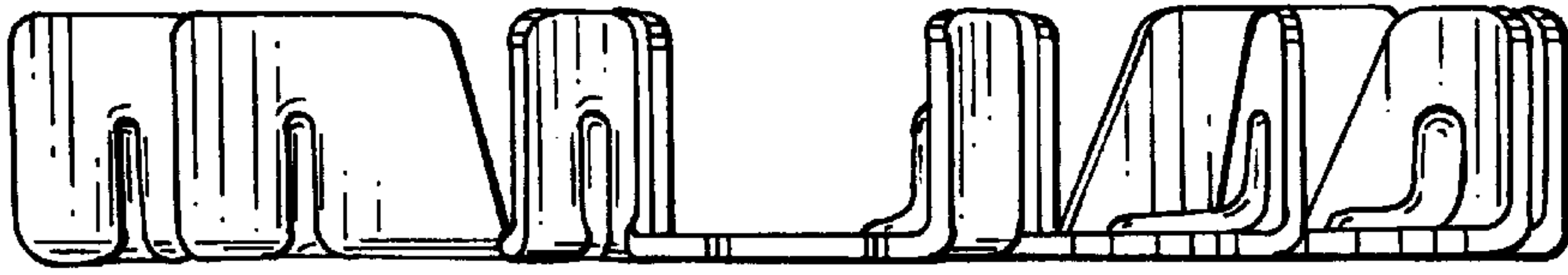


Fig. 4

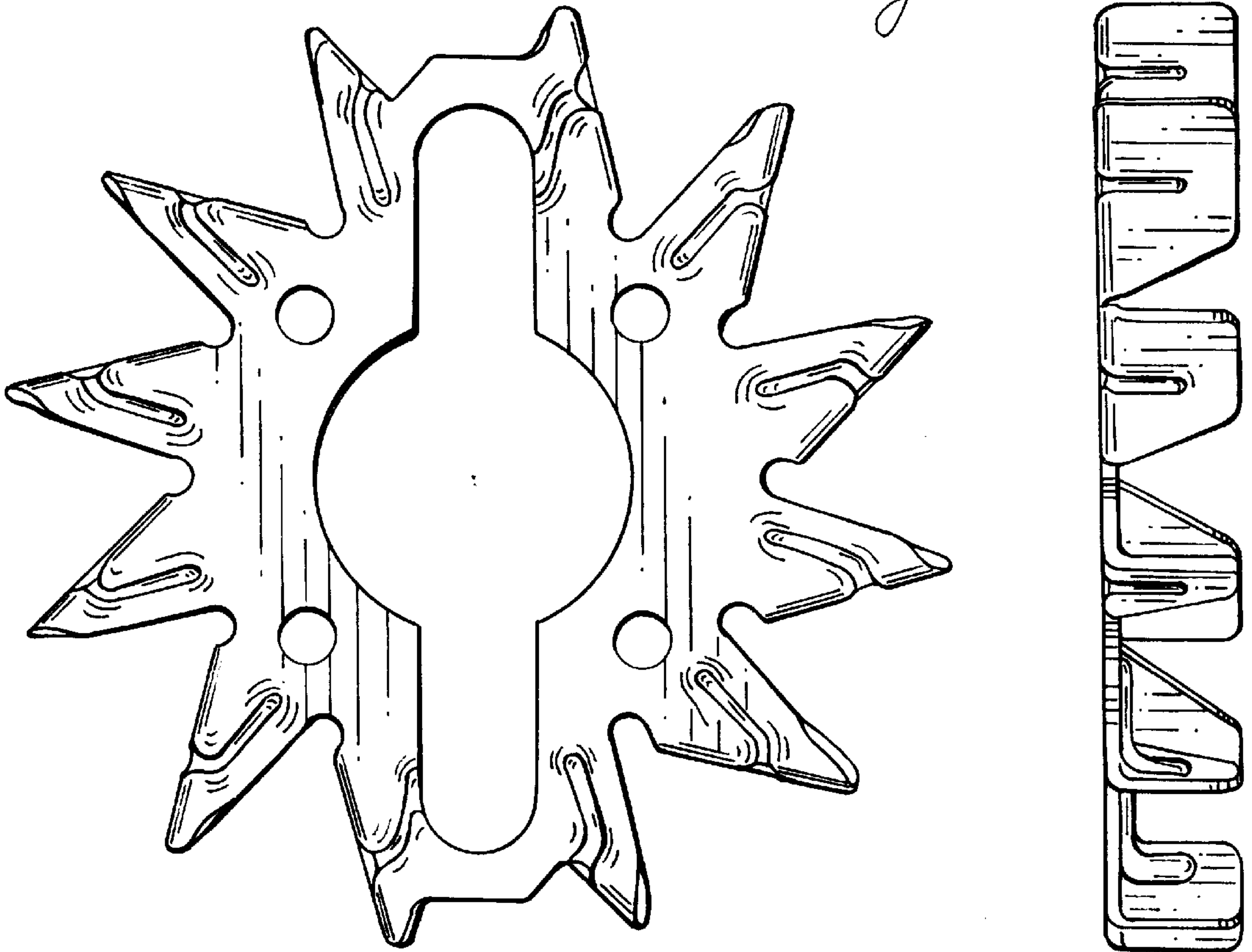


Fig. 5