



US00D401316S

United States Patent [19]

Allen et al.

[11] Patent Number: **Des. 401,316**

[45] Date of Patent: ****Nov. 17, 1998**

[54] **HUMIDIFIER**

[75] Inventors: **Diane Allen**, Marlborough; **Walter Birdsell**, Shrewsbury; **Stanley Gresens**, Charlestown; **Kenneth David Harris**, Cambridge; **Marc Drucker**, Cambridge, all of Mass.

[73] Assignee: **Honeywell Inc.**, Minneapolis, Minn.

[**] Term: **14 Years**

[21] Appl. No.: **63,643**

[22] Filed: **Dec. 12, 1996**

[51] **LOC (6) Cl.** **23-04**

[52] **U.S. Cl.** **D23/356; D23/358**

[58] **Field of Search** **D23/356-363; 261/107, 104, 72.1; 422/120, 123; 392/403-406, 394**

[56] References Cited

U.S. PATENT DOCUMENTS

D. 337,634	7/1993	Copland et al.	D23/356
D. 357,310	4/1995	Chiu et al.	D23/356
D. 358,461	5/1995	Barker et al.	D23/356
D. 362,906	10/1995	Chiu et al.	D23/356
D. 374,921	10/1996	Jane' et al.	D23/356

D. 378,778	4/1997	Jané et al.	D23/358
5,611,967	3/1997	Jane' et al.	261/142

OTHER PUBLICATIONS

1995 Promotional Sheet for Duracraft Corp's Deluxe Natural Warm Moisture® Humidifier, Model No. DH-911.

Primary Examiner—Lisa Lichtenstein
Attorney, Agent, or Firm—Loletta L. Darden

[57] CLAIM

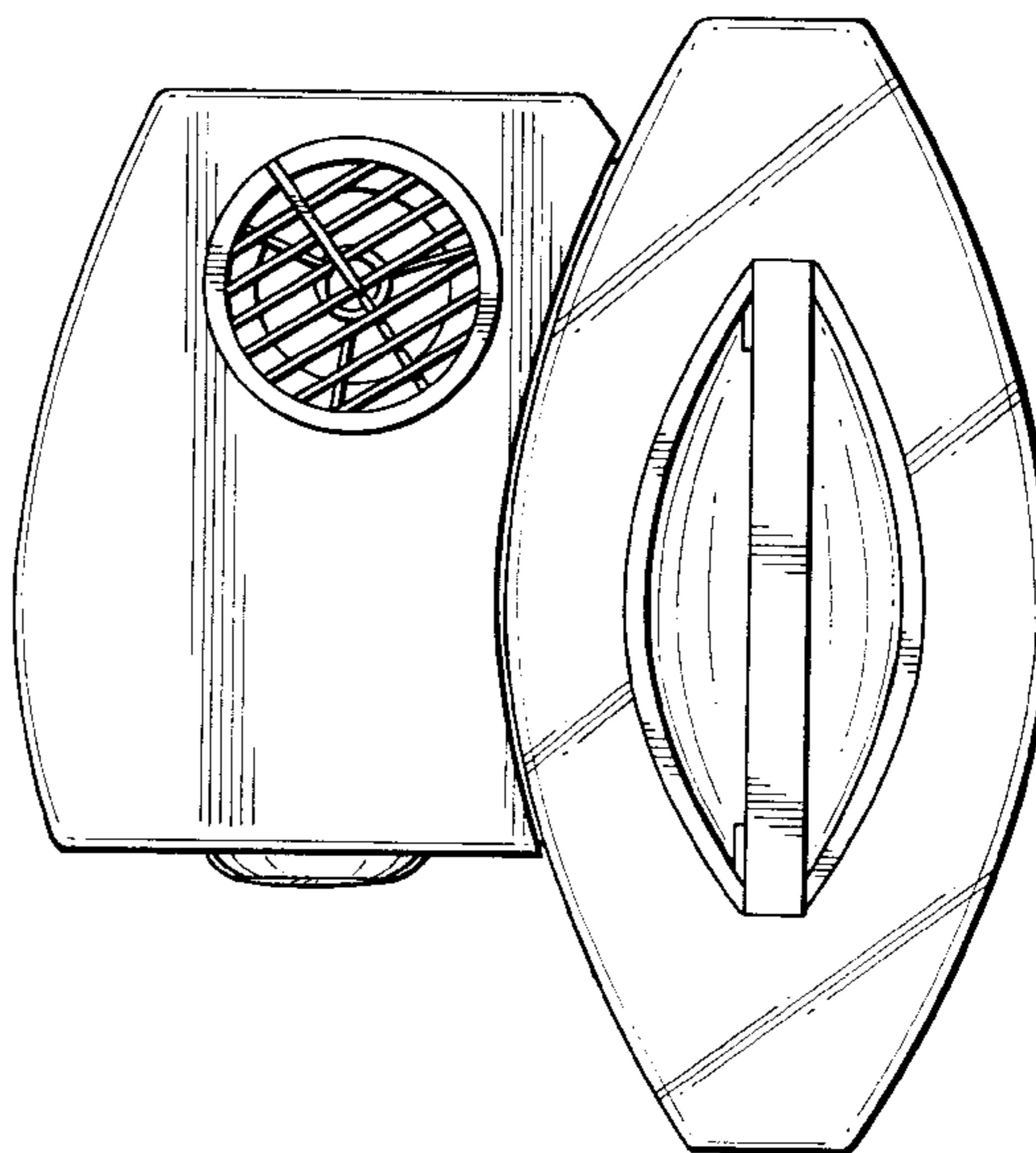
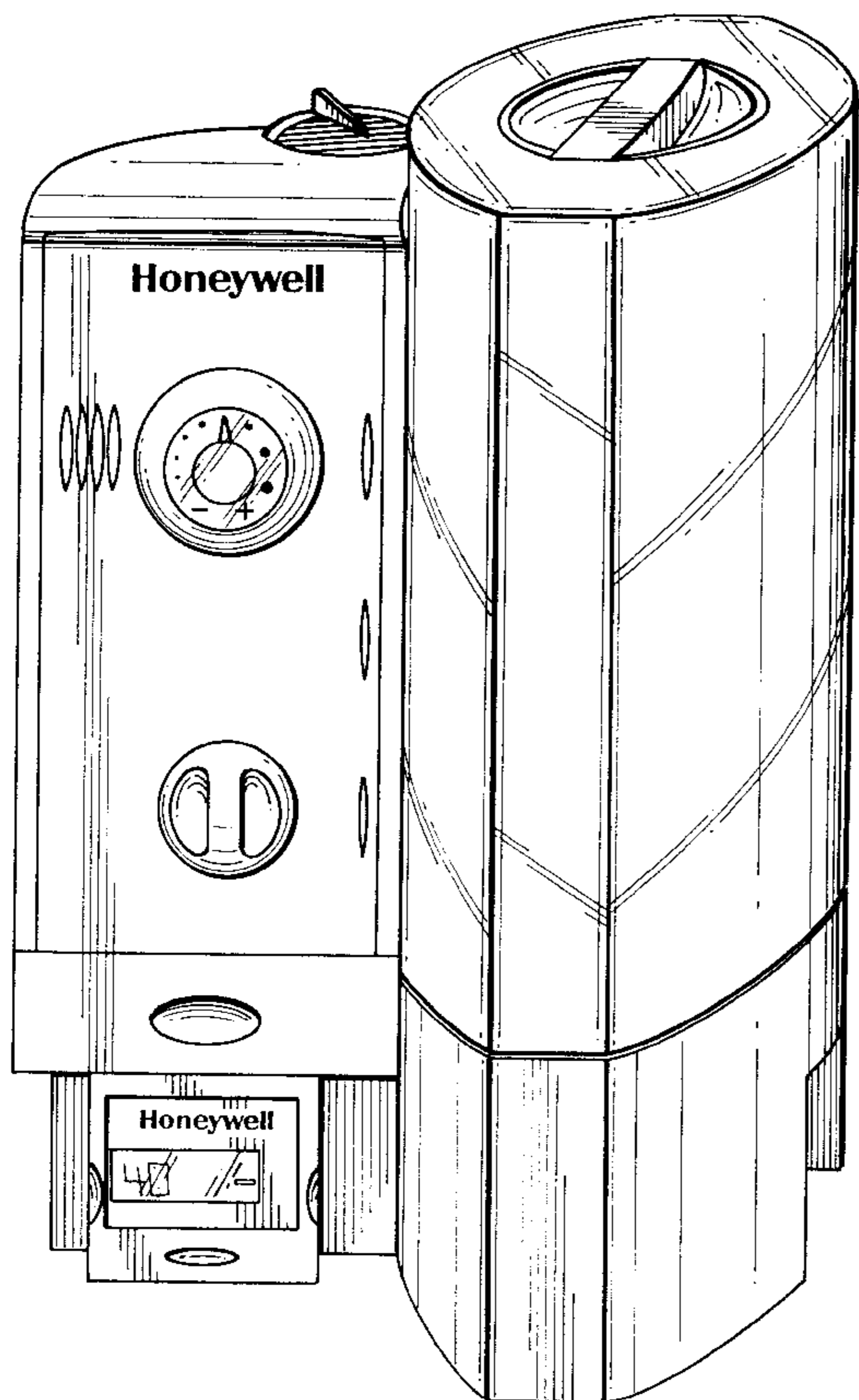
The ornamental design for a humidifier, as shown and described.

DESCRIPTION

FIG. 1 is a front perspective view of a humidifier showing our design;
FIG. 2 is a right side perspective view of the humidifier shown in FIG. 1;
FIG. 3 is a left side perspective view of the humidifier shown in FIG. 1;
FIG. 4 is a top plan view of the humidifier shown in FIG. 1; and,
FIG. 5 shows a rear elevational view of the humidifier shown in FIG. 1.

The bottom of the design is flat and unornamented.

1 Claim, 5 Drawing Sheets



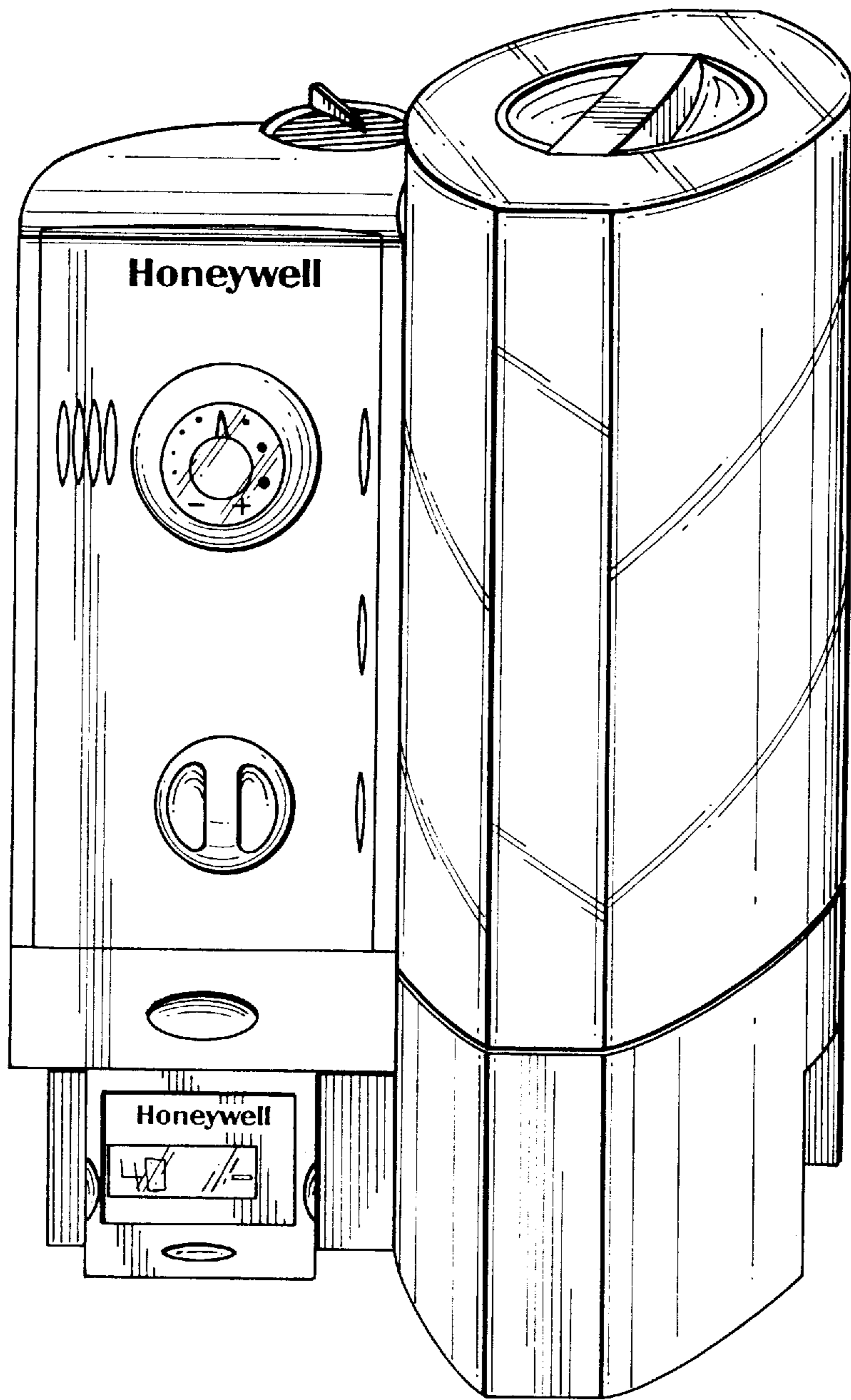


FIG. 1

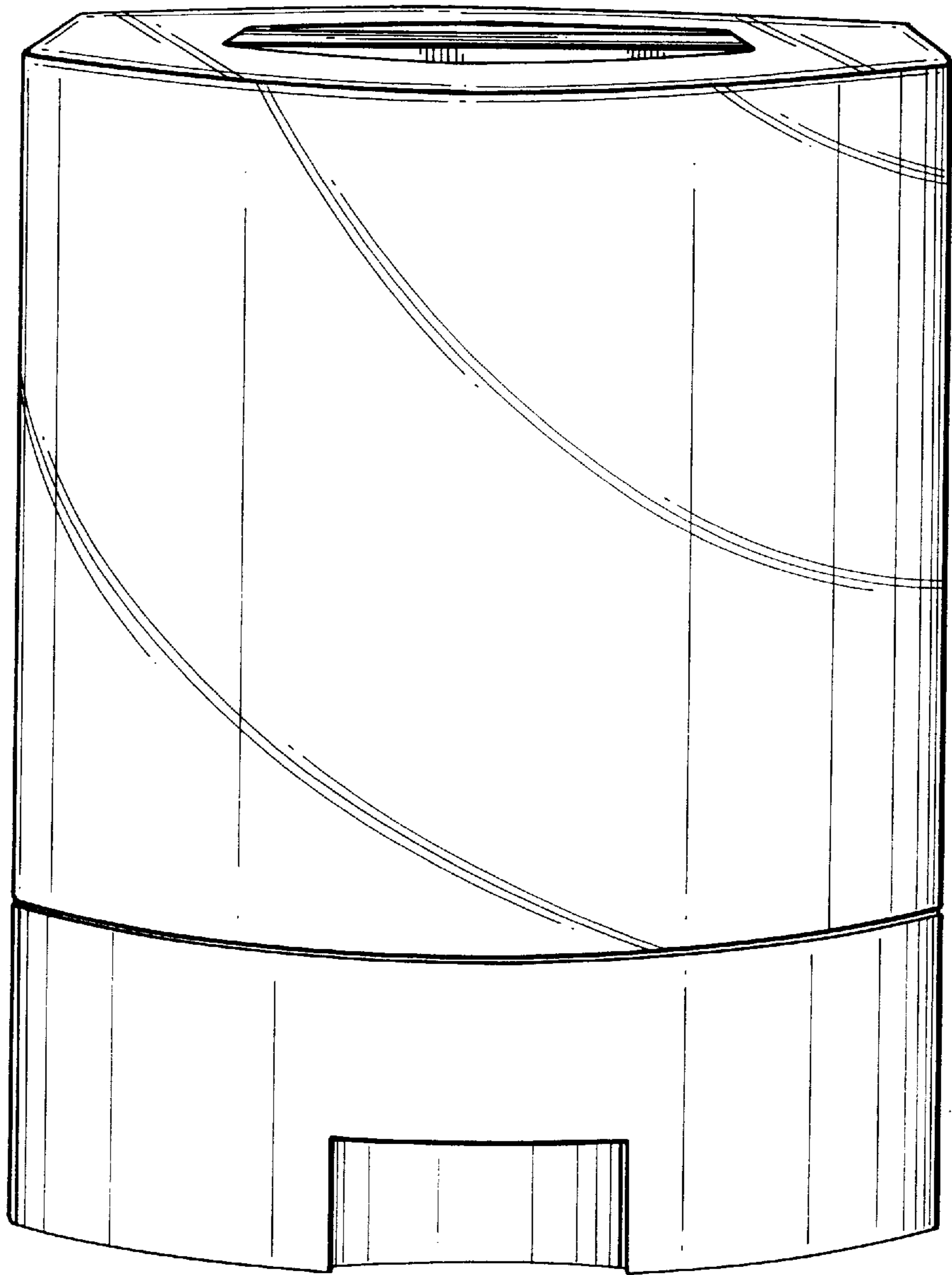


FIG. 2

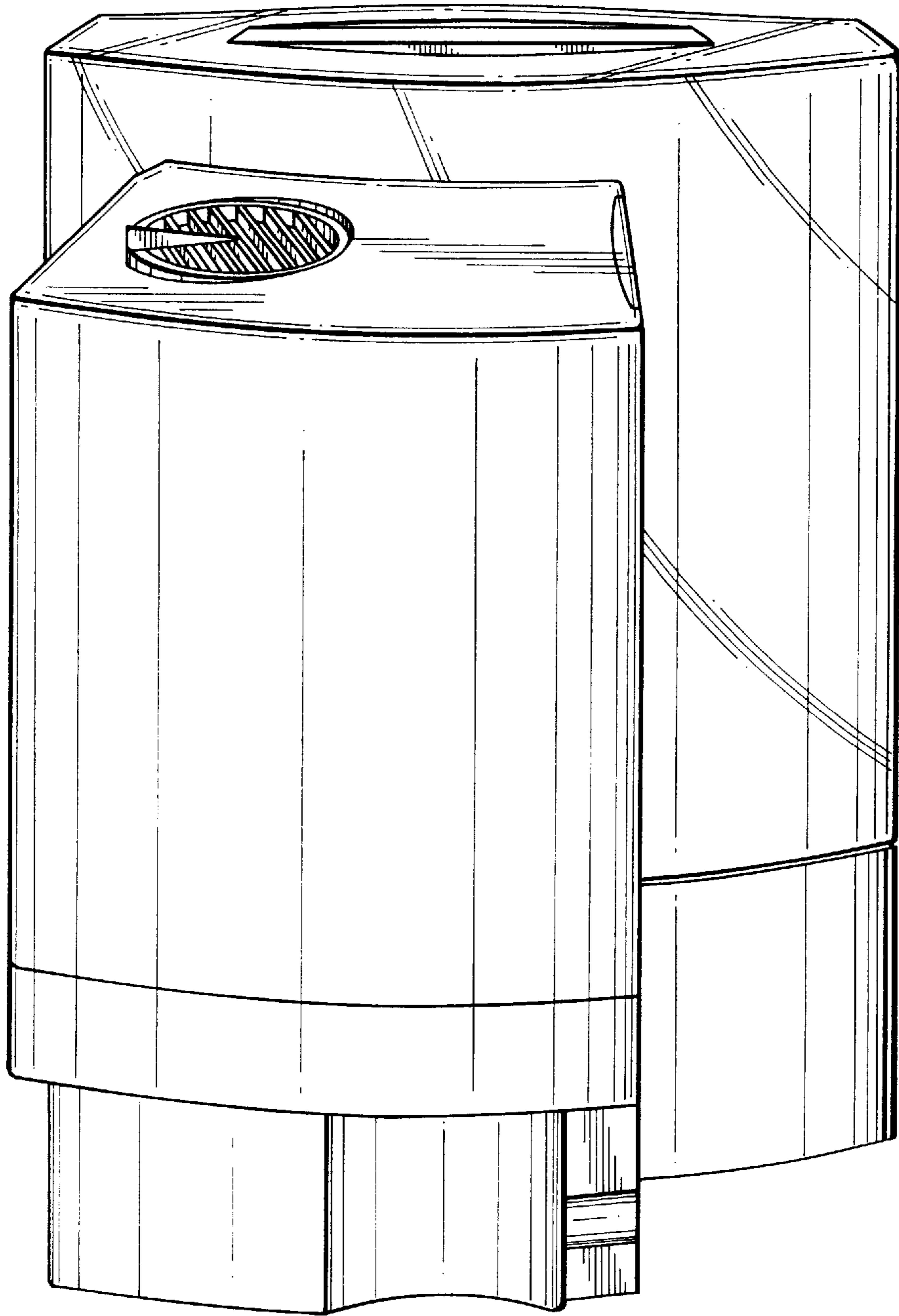


FIG. 3

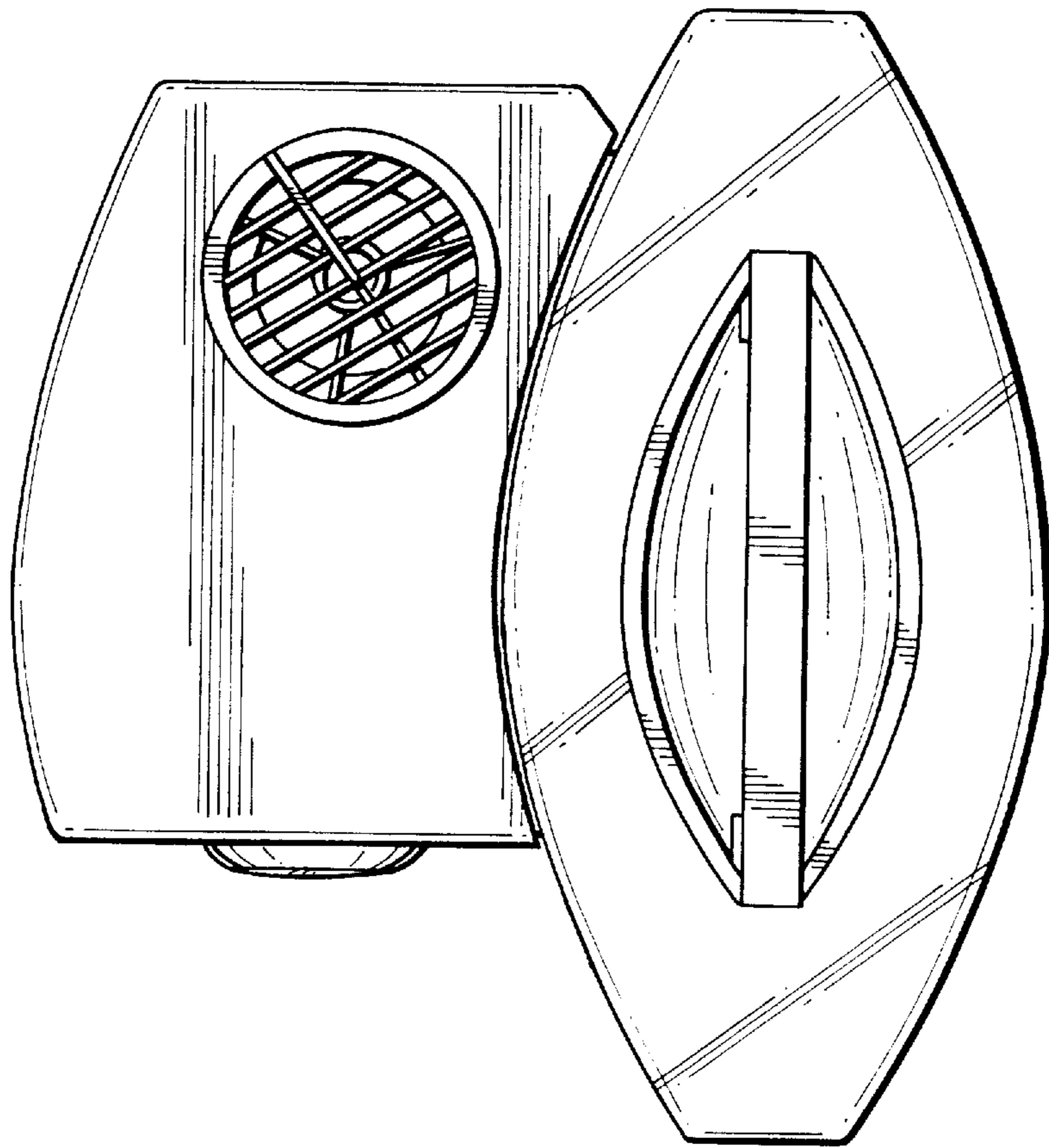


FIG. 4



FIG. 5